



US00D436978S

(12) **United States Design Patent**  
**Suzuki et al.**

(10) **Patent No.:** **US D436,978 S**

(45) **Date of Patent:** **\*\* Jan. 30, 2001**

(54) **LENS SHUTTER CAMERA**

(75) Inventors: **Tatsuya Suzuki; Yasuo Funakoshi,**  
both of Tokyo (JP)

(73) Assignee: **Olympus Optical Co., Ltd.,** Tokyo (JP)

(\*\*) Term: **14 Years**

(21) Appl. No.: **29/093,191**

(22) Filed: **Sep. 4, 1998**

(51) **LOC (7) Cl.** ..... **16-05**

(52) **U.S. Cl.** ..... **D16/219; D16/212**

(58) **Field of Search** ..... **D16/200-204,**  
**D16/208, 209, 211, 212, 218-219; 396/448,**  
**535-541, 348-350**

(56) **References Cited**

**U.S. PATENT DOCUMENTS**

D. 384,684	*	10/1997	Hamamura	.....	D16/209
D. 389,849	*	1/1998	Kim	.....	D16/209
D. 400,901	*	11/1998	Chapman et al.	.....	D16/219
D. 412,518	*	8/1999	Naito	.....	D16/212
D. 415,511	*	10/1999	Funakoshi et al.	.....	D16/209
4,556,304	*	12/1985	Fukuda	.....	396/448
4,557,574	*	12/1985	Kohno et al.	.....	396/448

\* cited by examiner

*Primary Examiner*—Adir Aronovich

(74) *Attorney, Agent, or Firm*—Hogan & Hartson, LLP

(57) **CLAIM**

The ornamental design for a lens shutter camera, as shown and described.

**DESCRIPTION**

FIG. 1 is a front, top and right side perspective view of a lens shutter camera, showing our new design;

FIG. 2 is a top plan view thereof;

FIG. 3 is a front elevational view thereof;

FIG. 4 is a left side elevational view thereof;

FIG. 5 is a right side elevational view thereof;

FIG. 6 is a rear elevational view thereof;

FIG. 7 is a bottom plan view thereof;

FIG. 8 is a top plan view thereof with a cover in an opened state, a lens-barrel extended and an electronic flashing unit in a raised state; and,

FIG. 9 is a front elevational view thereof with a cover in an opened state, a lens-barrel extended and an electronic flashing unit in a raised state.

The broken line portions of a lens shutter camera are illustrated to show the environment only and form no part of the claimed design.

**1 Claim, 3 Drawing Sheets**

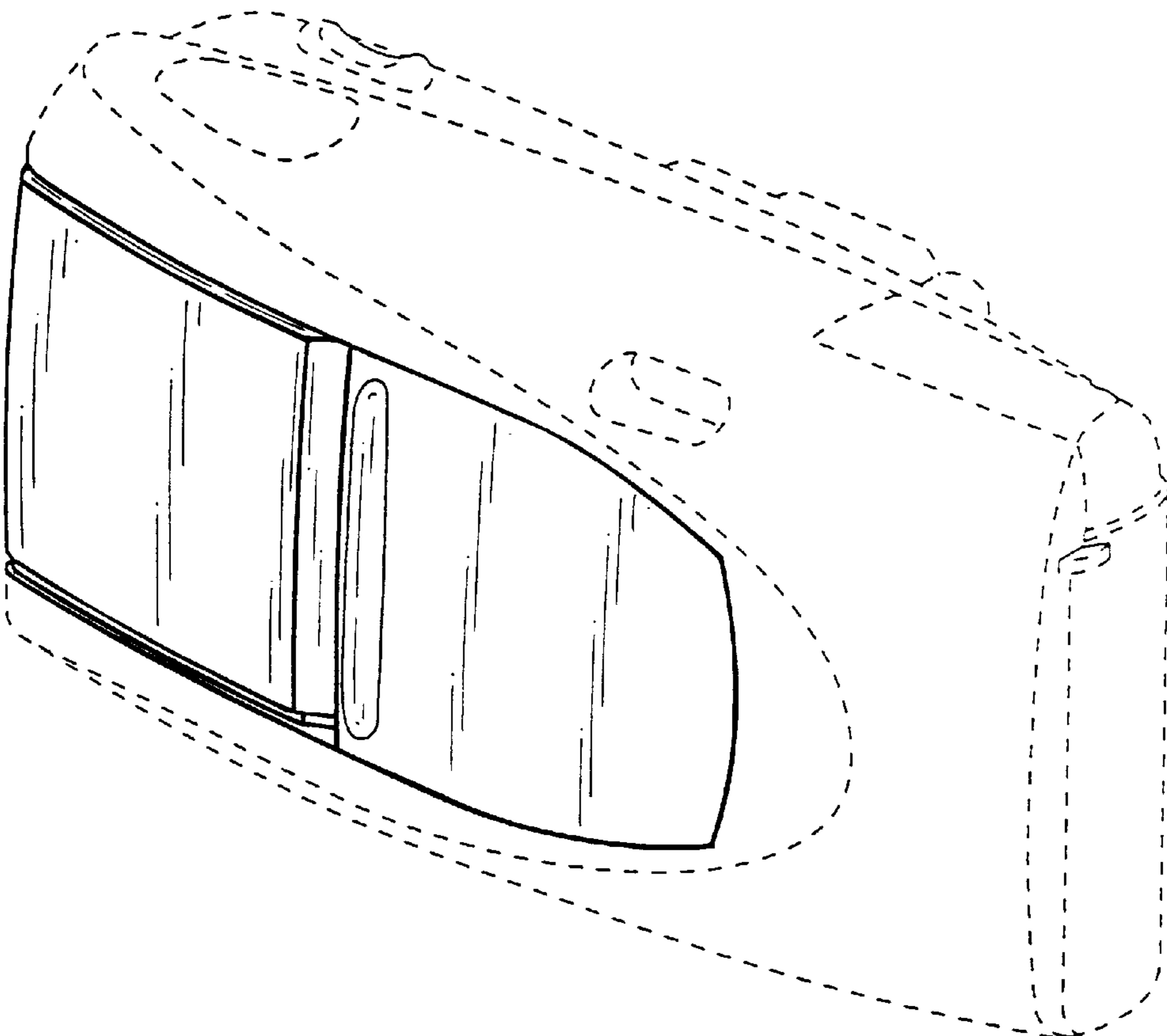


FIG. 1

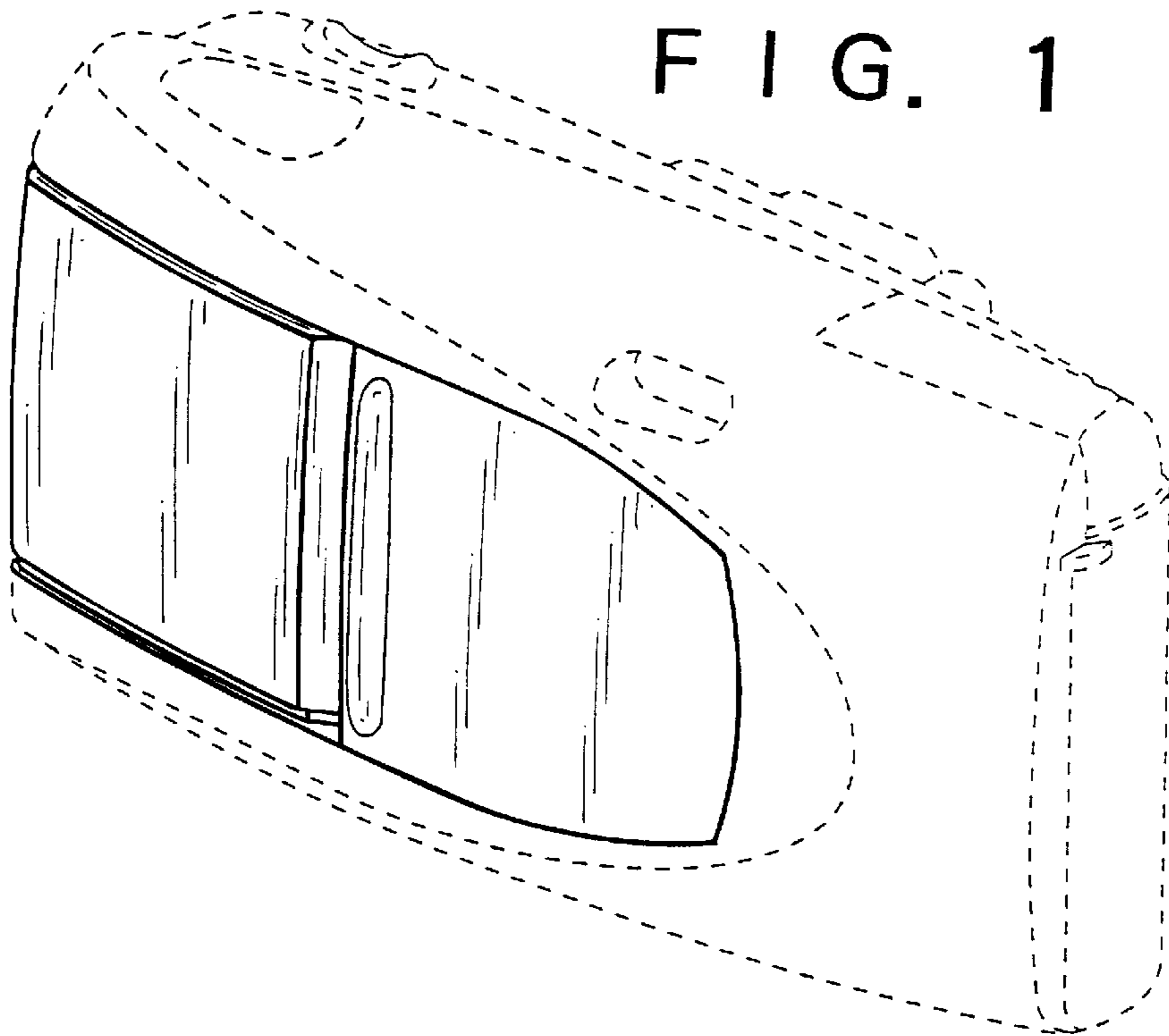


FIG. 2

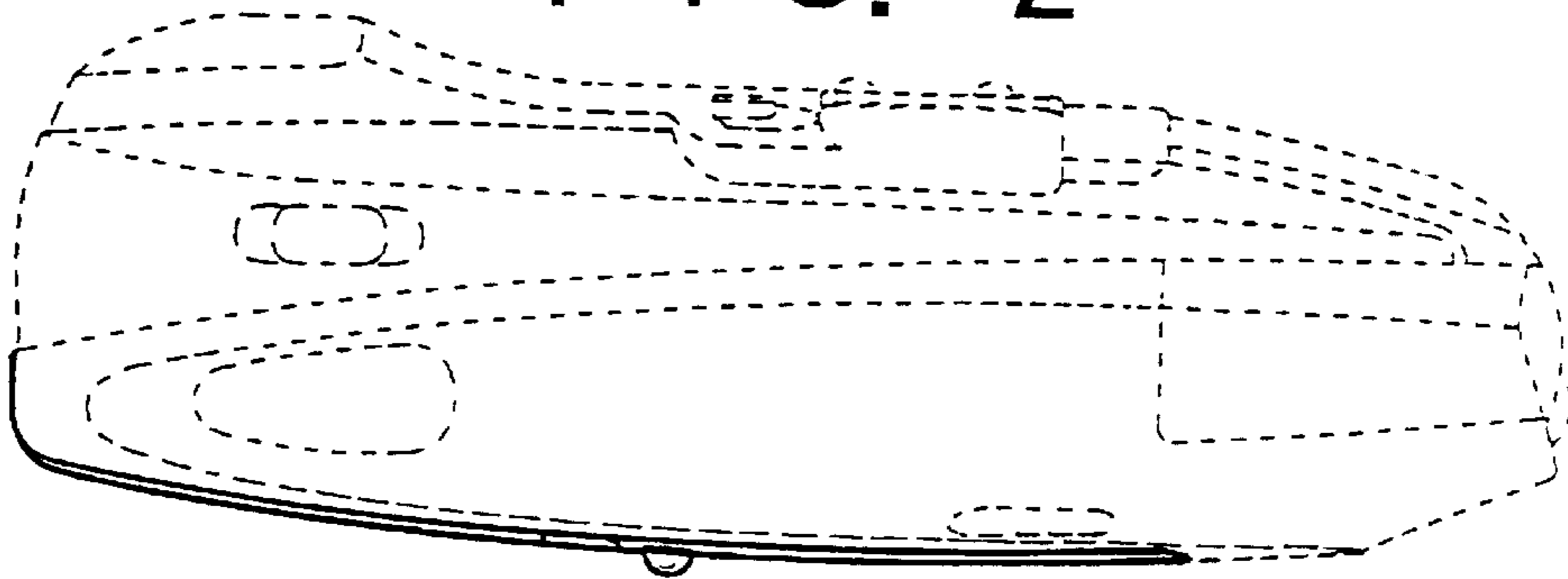


FIG. 3

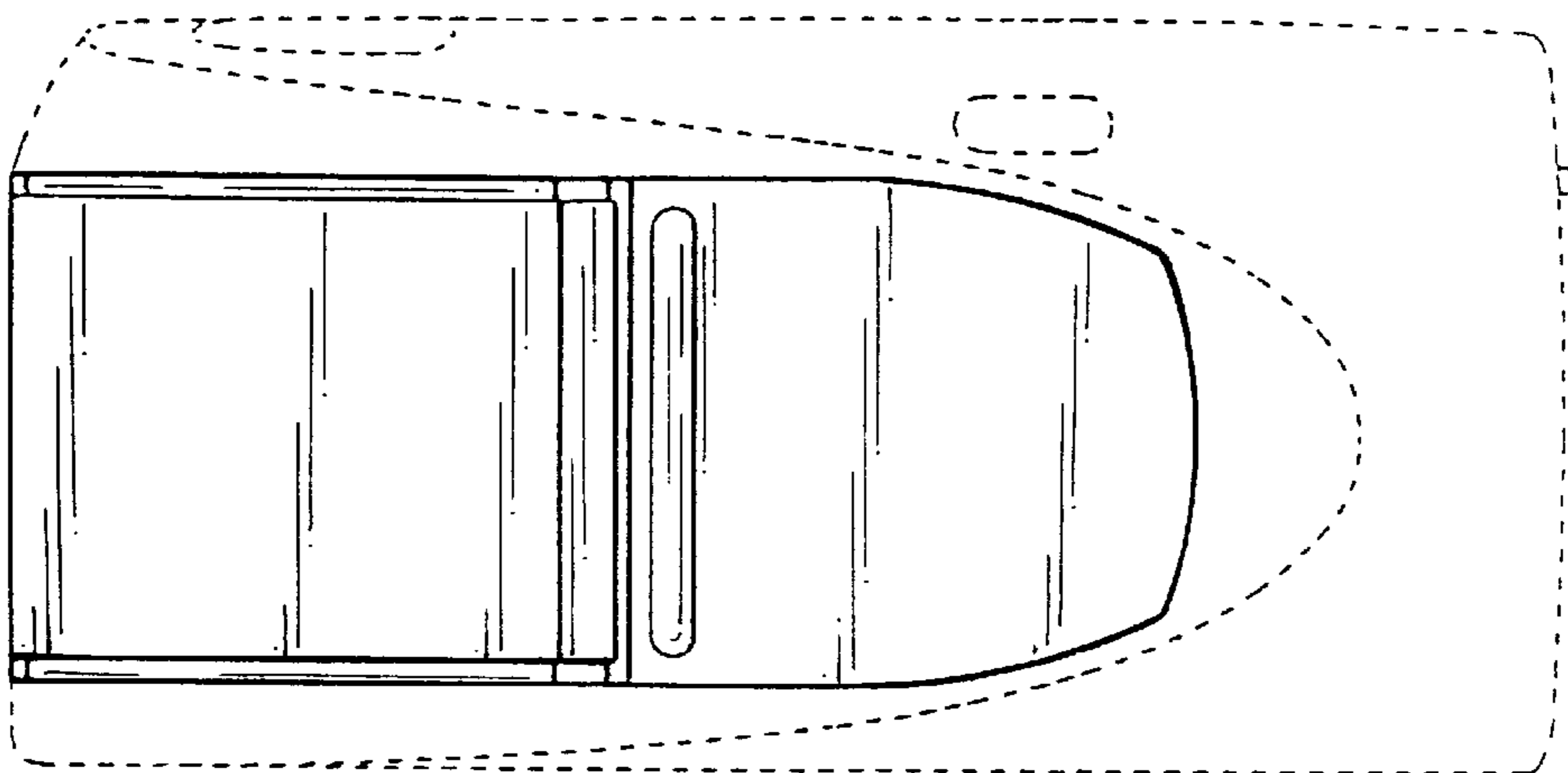


FIG. 4

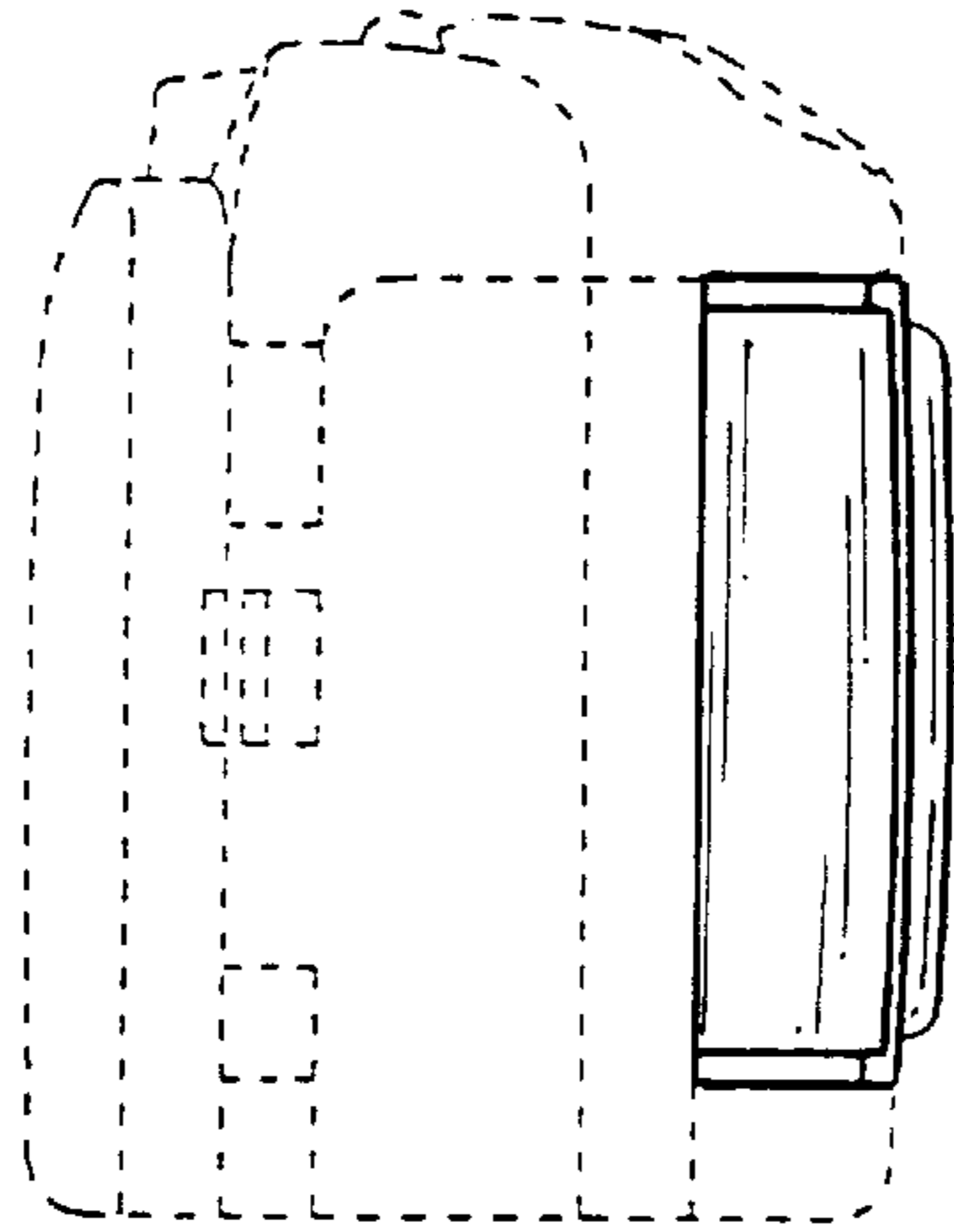


FIG. 5

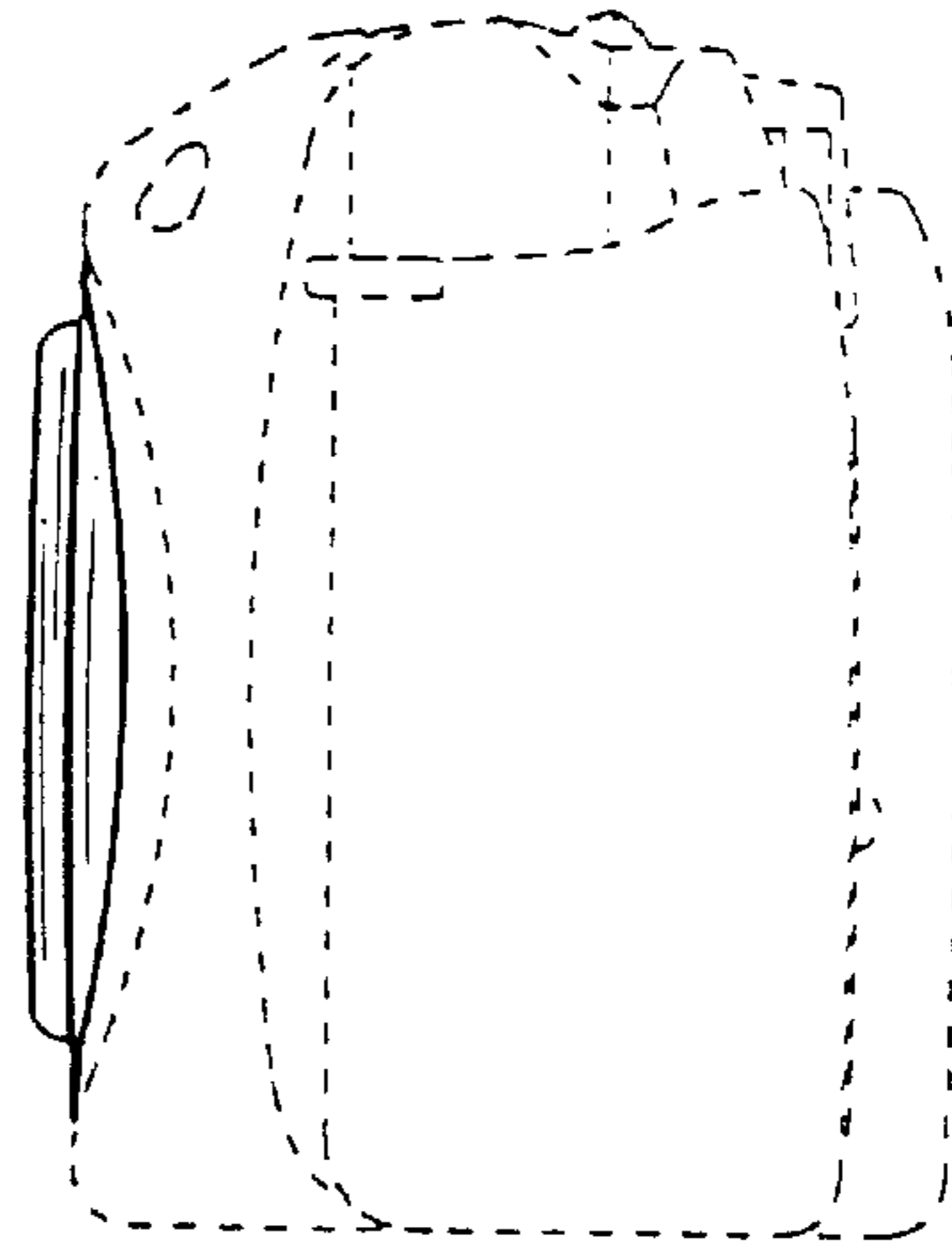


FIG. 6

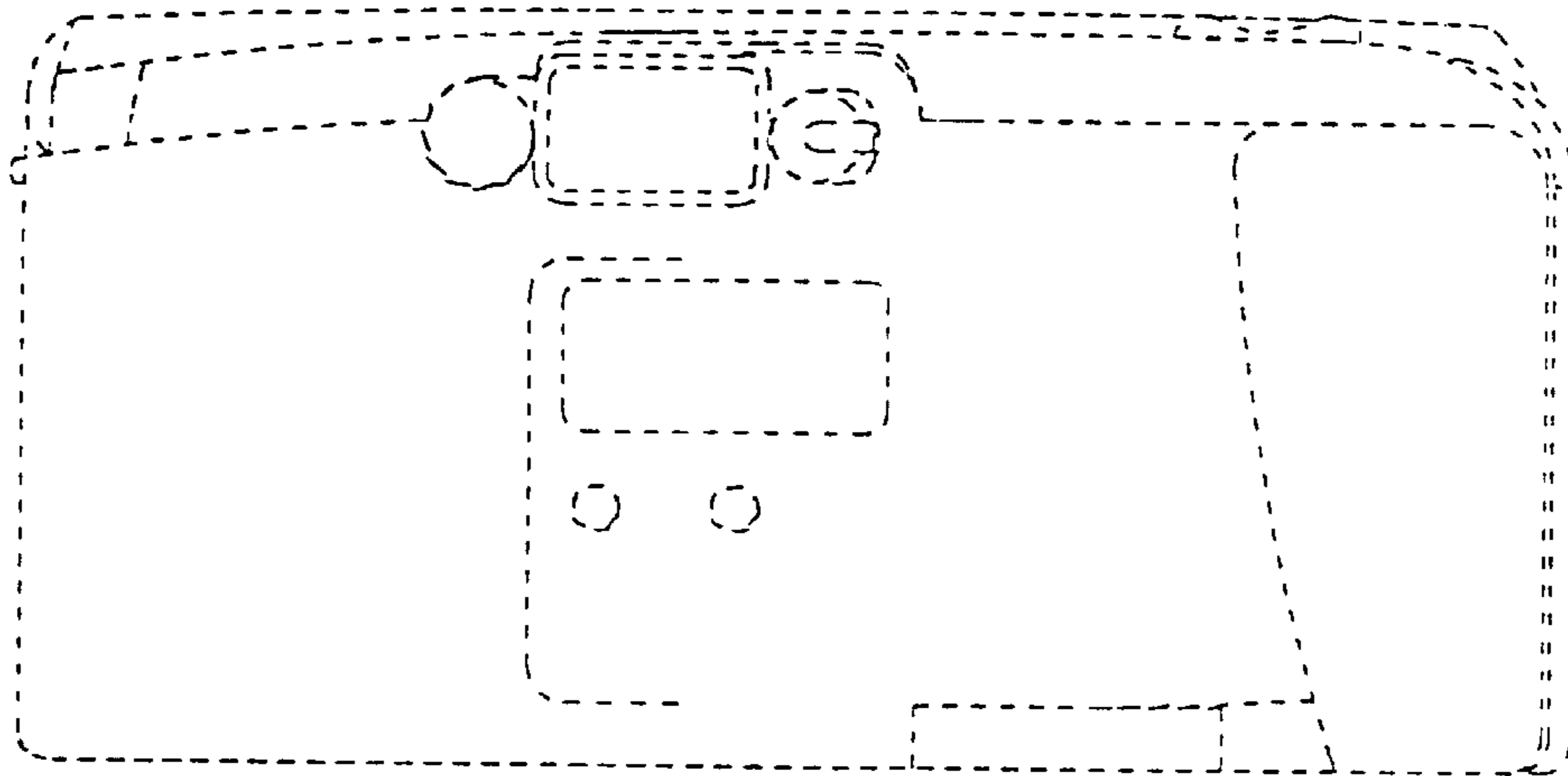


FIG. 7

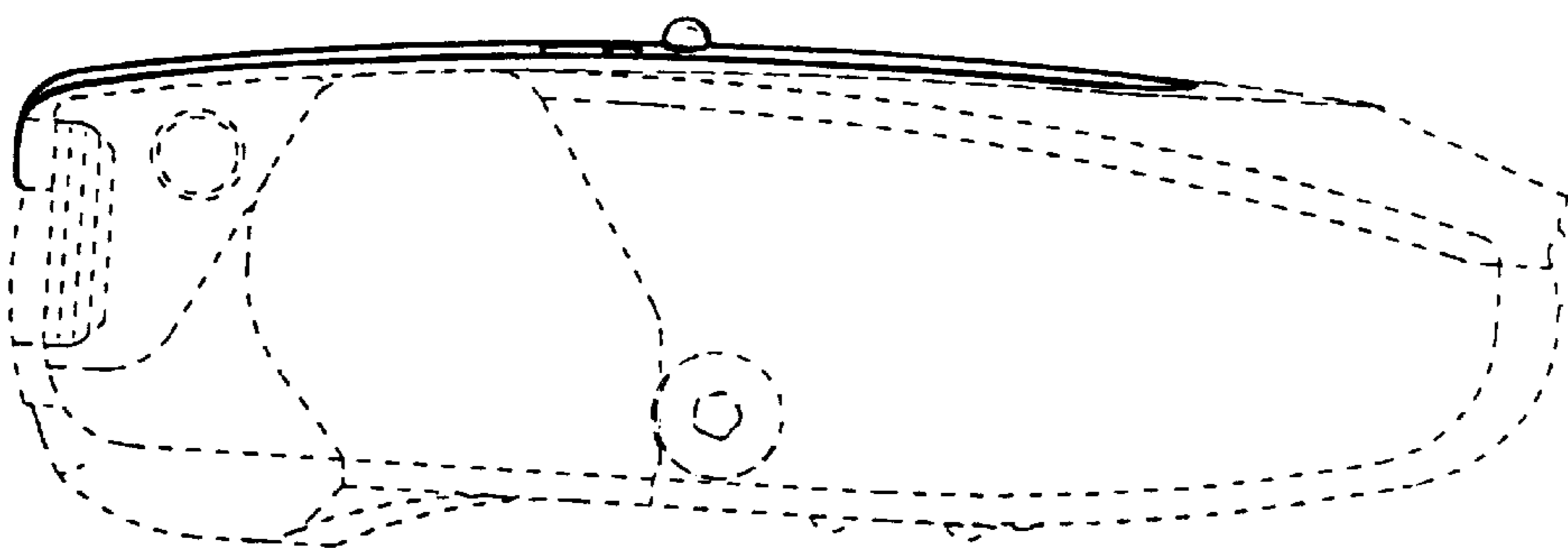


FIG. 8

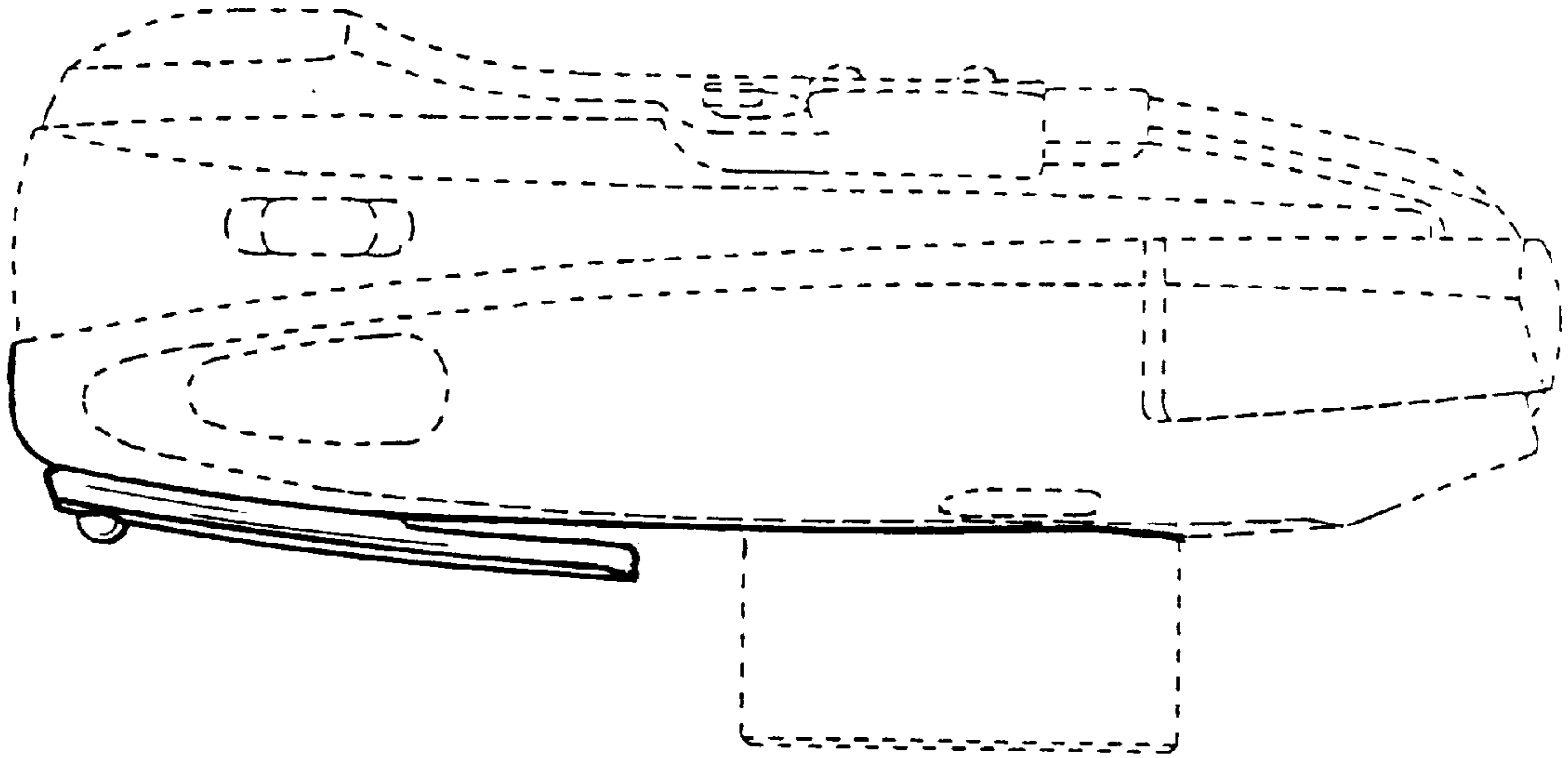


FIG. 9

