



US00D436975S

(12) **United States Design Patent**
Nakamura

(10) **Patent No.:** **US D436,975 S**

(45) **Date of Patent:** **** *Jan. 30, 2001**

(54) **COMBINED VIDEO TAPE RECORDER AND CAMERA**

(75) Inventor: **Toshihiro Nakamura, Tokyo (JP)**

(73) Assignee: **Sony Corporation (JP)**

(*) Notice: This patent is subject to a terminal disclaimer.

(**) Term: **14 Years**

(21) Appl. No.: **29/106,799**

(22) Filed: **Jun. 18, 1999**

(30) **Foreign Application Priority Data**

Dec. 18, 1998 (JP) 10-36623

(51) **LOC (7) Cl.** **16-01**

(52) **U.S. Cl.** **D16/202**

(58) **Field of Search** **D16/200-208;**
348/373-376; 352/242, 243; 358/906; 396/538-541

(56) **References Cited**

U.S. PATENT DOCUMENTS

D. 375,107	10/1996	Ishii	D16/202
D. 384,085	9/1997	Harata	D16/202
D. 385,568	10/1997	Harata	D16/202
D. 400,900	* 11/1998	Harata	D16/202
D. 401,256	11/1998	Harata	D16/203
D. 404,047	* 1/1999	Ishii	D16/202
D. 409,639	* 5/1999	Sumita	D16/202
D. 410,016	* 5/1999	Maeyama	D16/202
D. 415,778	* 10/1999	Harata	D16/202
D. 416,928	* 11/1999	Sumita	D16/202
5,499,052	* 3/1996	Nakanishi et al.	348/373

FOREIGN PATENT DOCUMENTS

DM/042443 * 3/1998 (XH) .

OTHER PUBLICATIONS

Catalog, "Style," pp. 159, Sony (Fall/Winter 1998).

* cited by examiner

Primary Examiner—Adir Aronovich

(74) *Attorney, Agent, or Firm*—Rader, Fishman & Grauer

(57) **CLAIM**

The ornamental design for a combined video tape recorder and camera, as shown and described.

DESCRIPTION

FIG. 1 is a top, front perspective view of a combined video tape recorder and camera showing my new design;
 FIG. 2 is a top, rear perspective view thereof, the viewing screen shown in an extending away position;
 FIG. 3 is a top, rear perspective view thereof, the viewing screen shown in the first alternate position;
 FIG. 4 is a top, rear perspective view thereof, the viewing screen shown in the second alternate position;
 FIG. 5 is a top, rear perspective view thereof, the viewing screen shown in the third alternate position;
 FIG. 6 is a top plan view thereof;
 FIG. 7 is a bottom plan view thereof;
 FIG. 8 is a left side elevational view thereof;
 FIG. 9 is a right side elevational view thereof;
 FIG. 10 is a front elevational view thereof; and,
 FIG. 11 is a rear elevational view thereof.

1 Claim, 8 Drawing Sheets

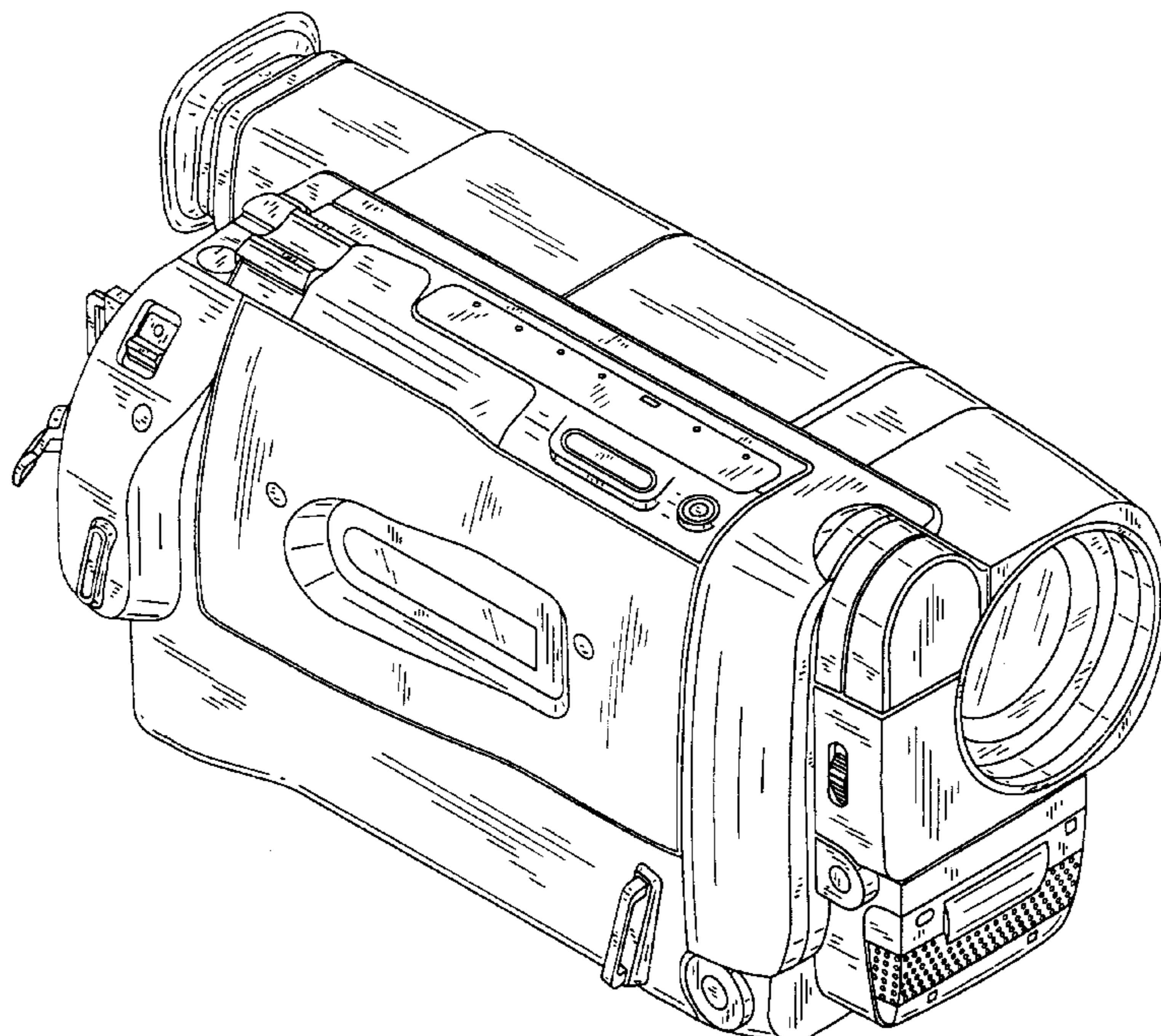


FIG. 1

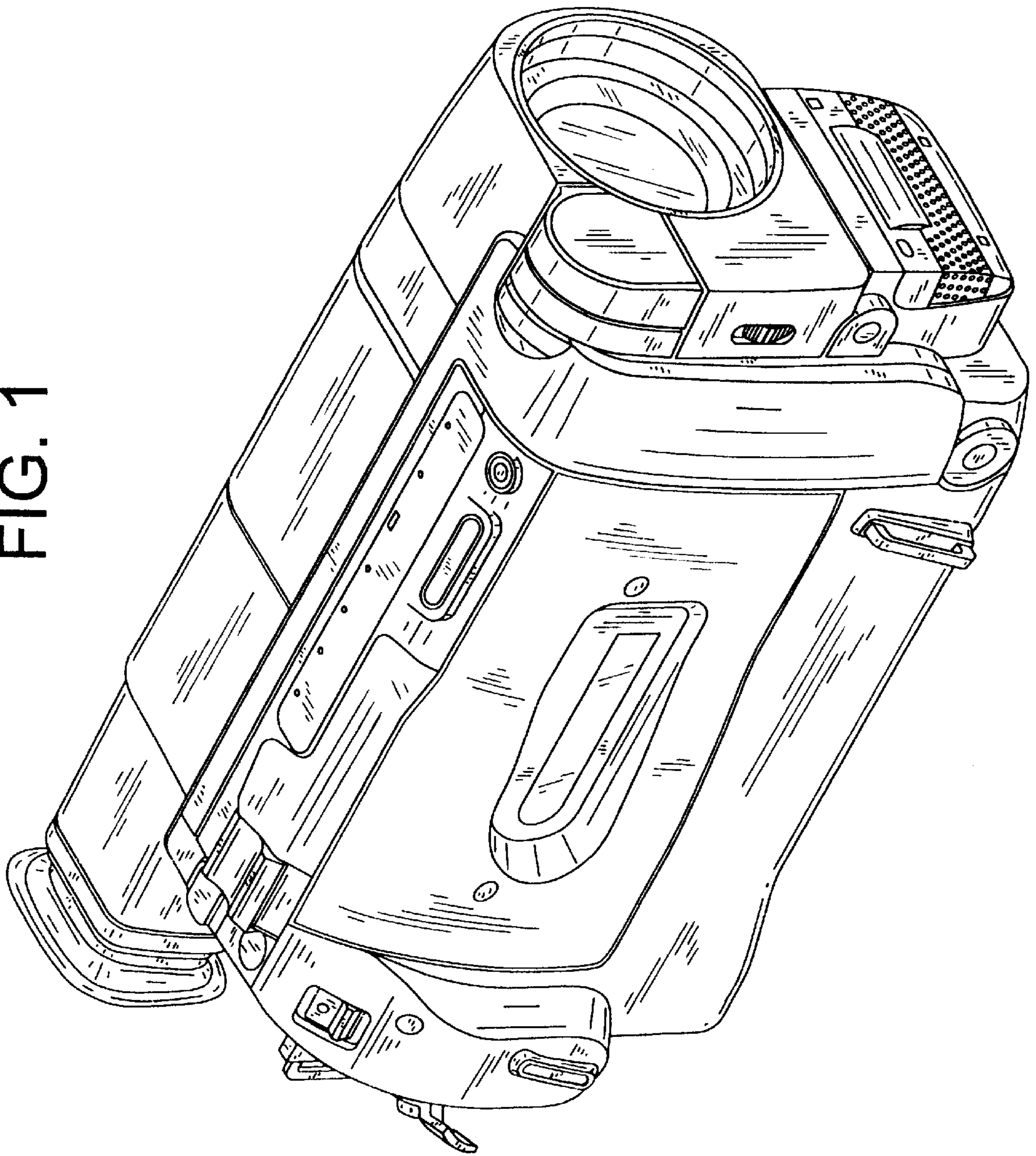


FIG. 2

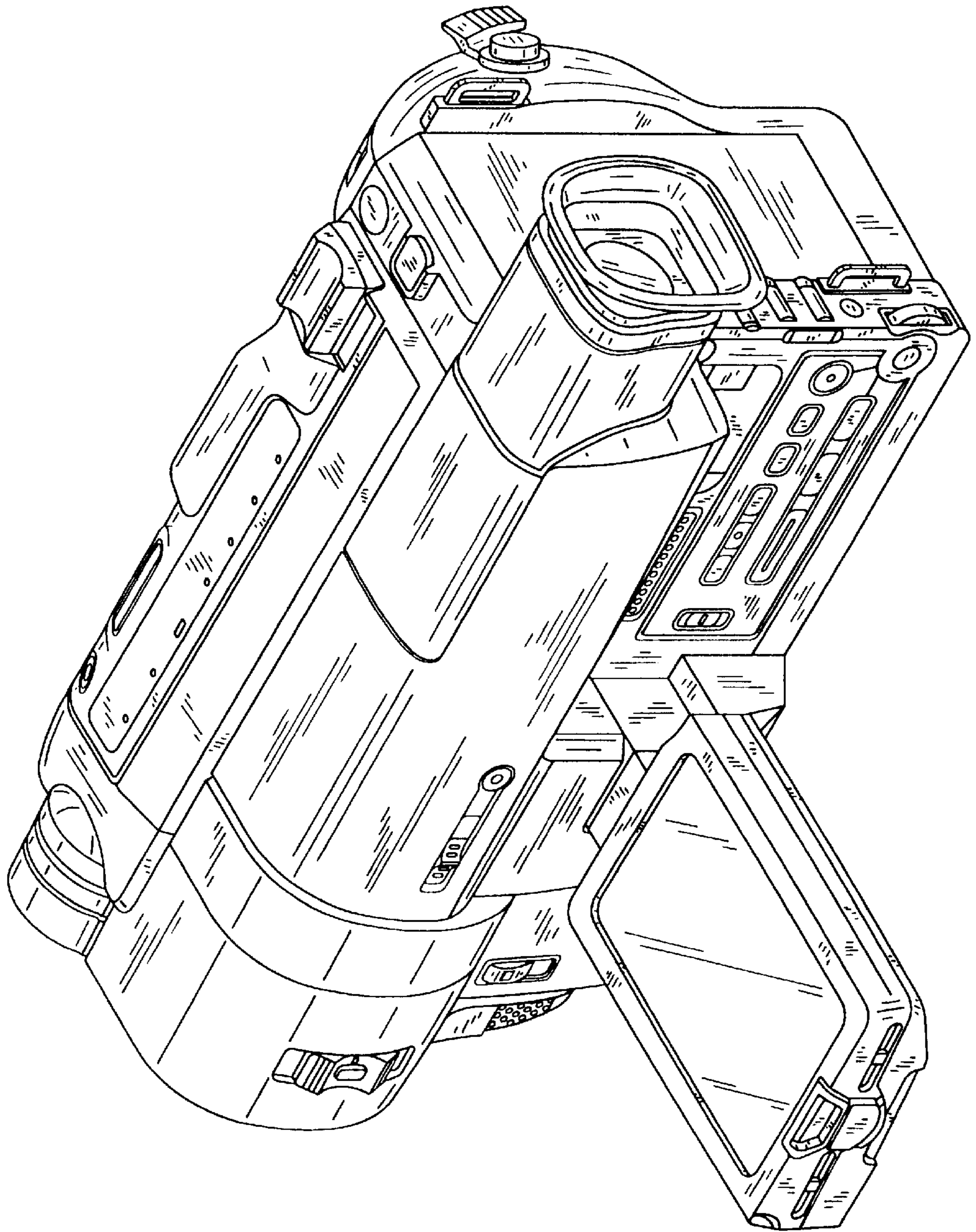


FIG. 3

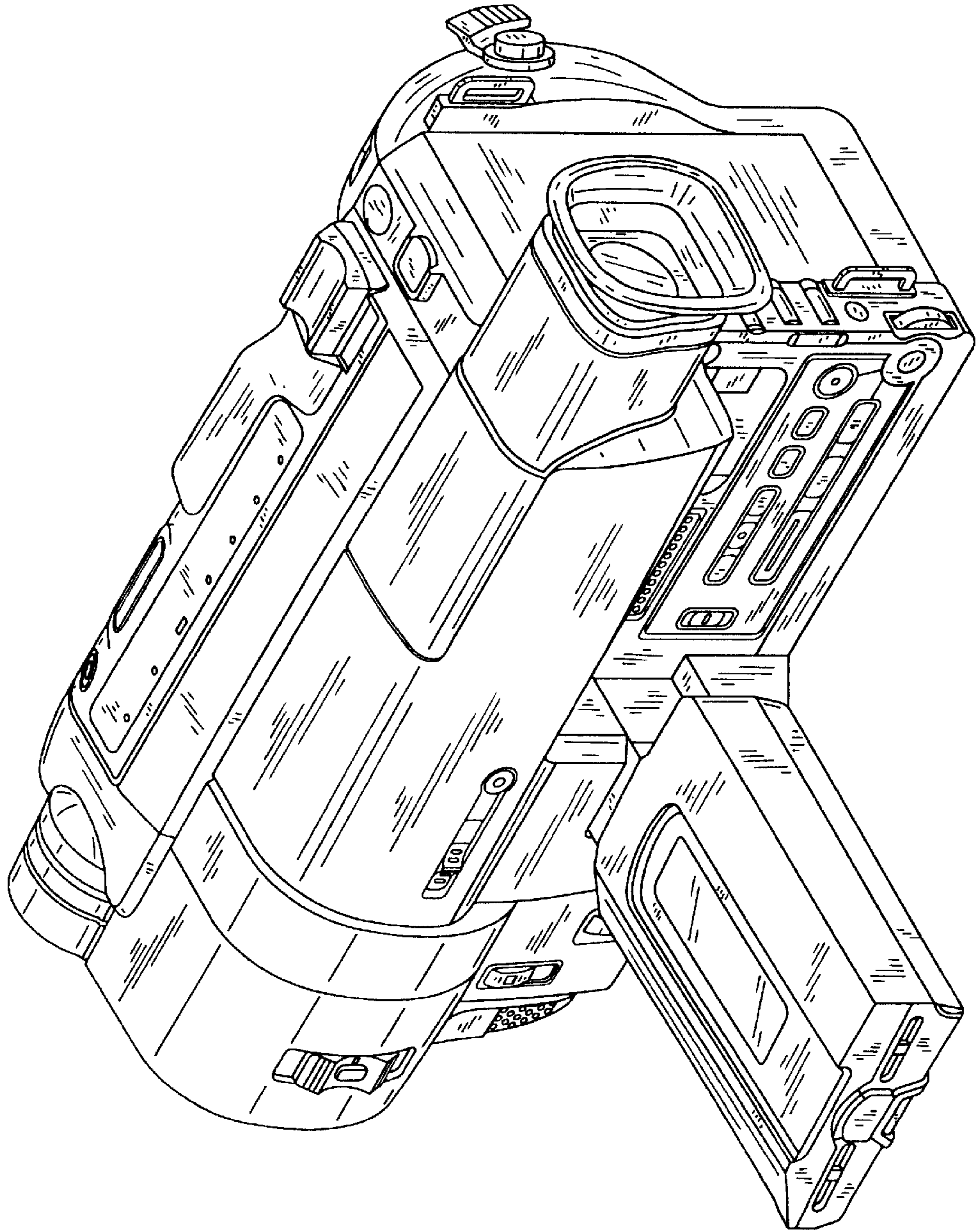


FIG. 4

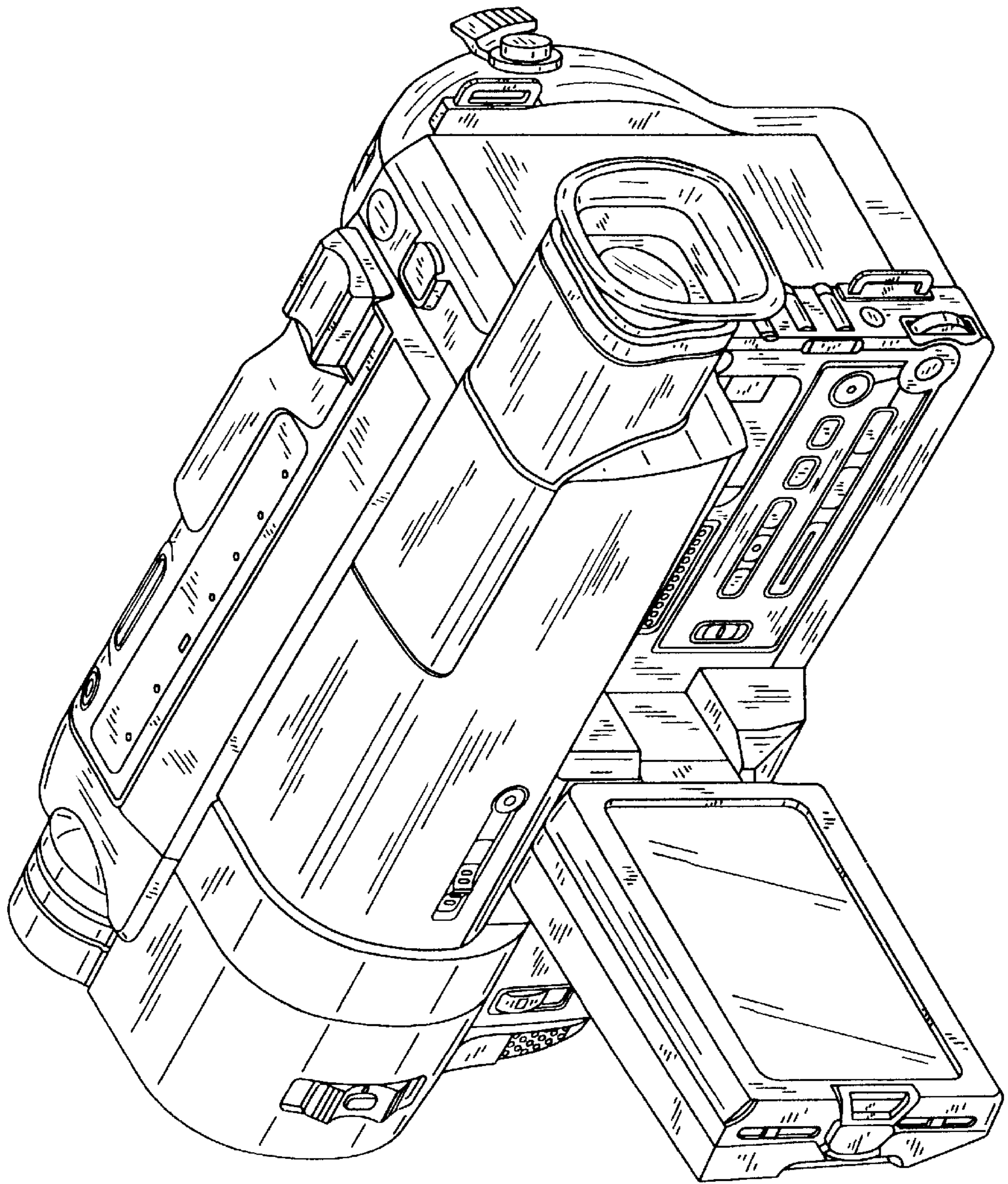


FIG. 5

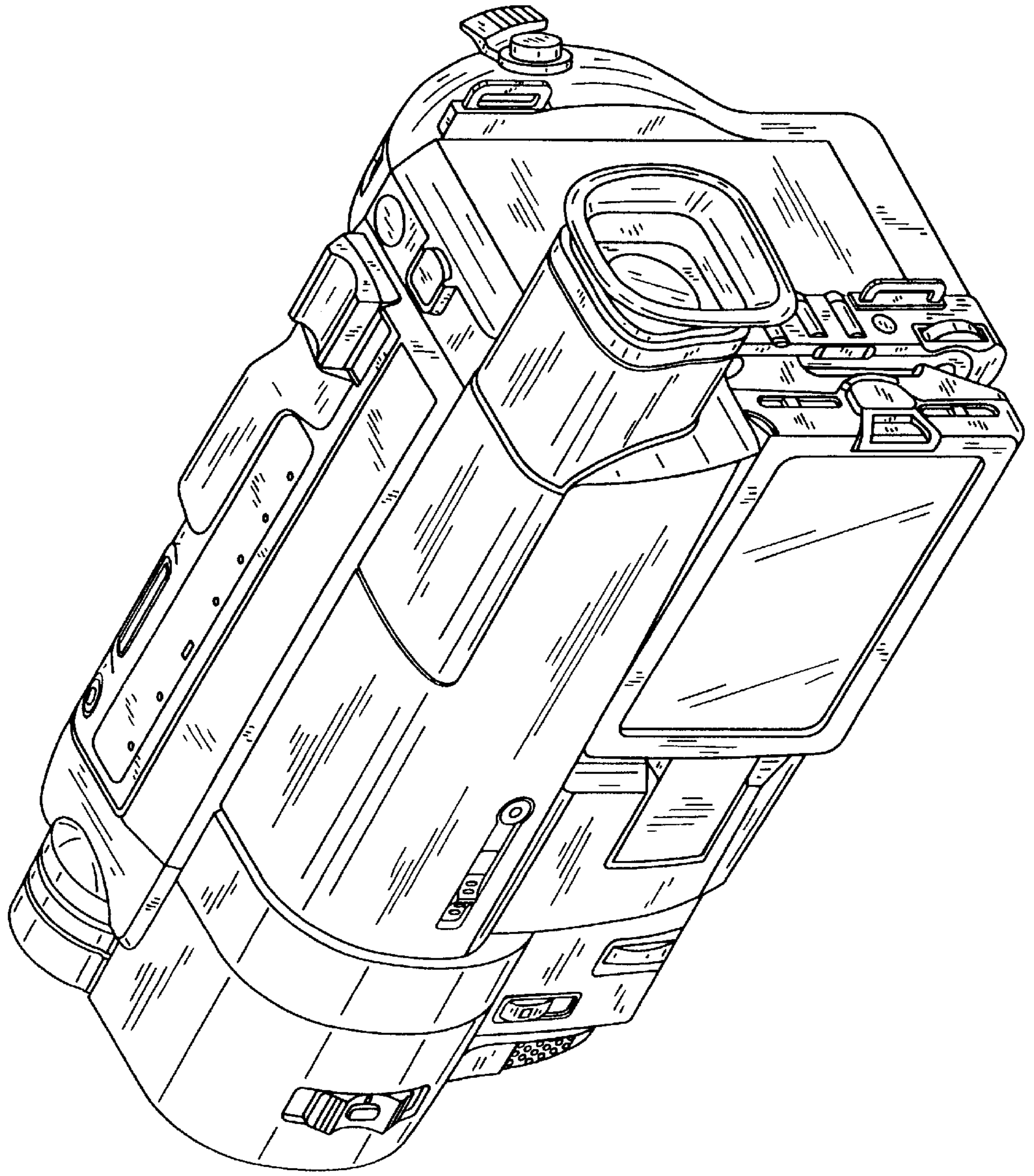


FIG. 7

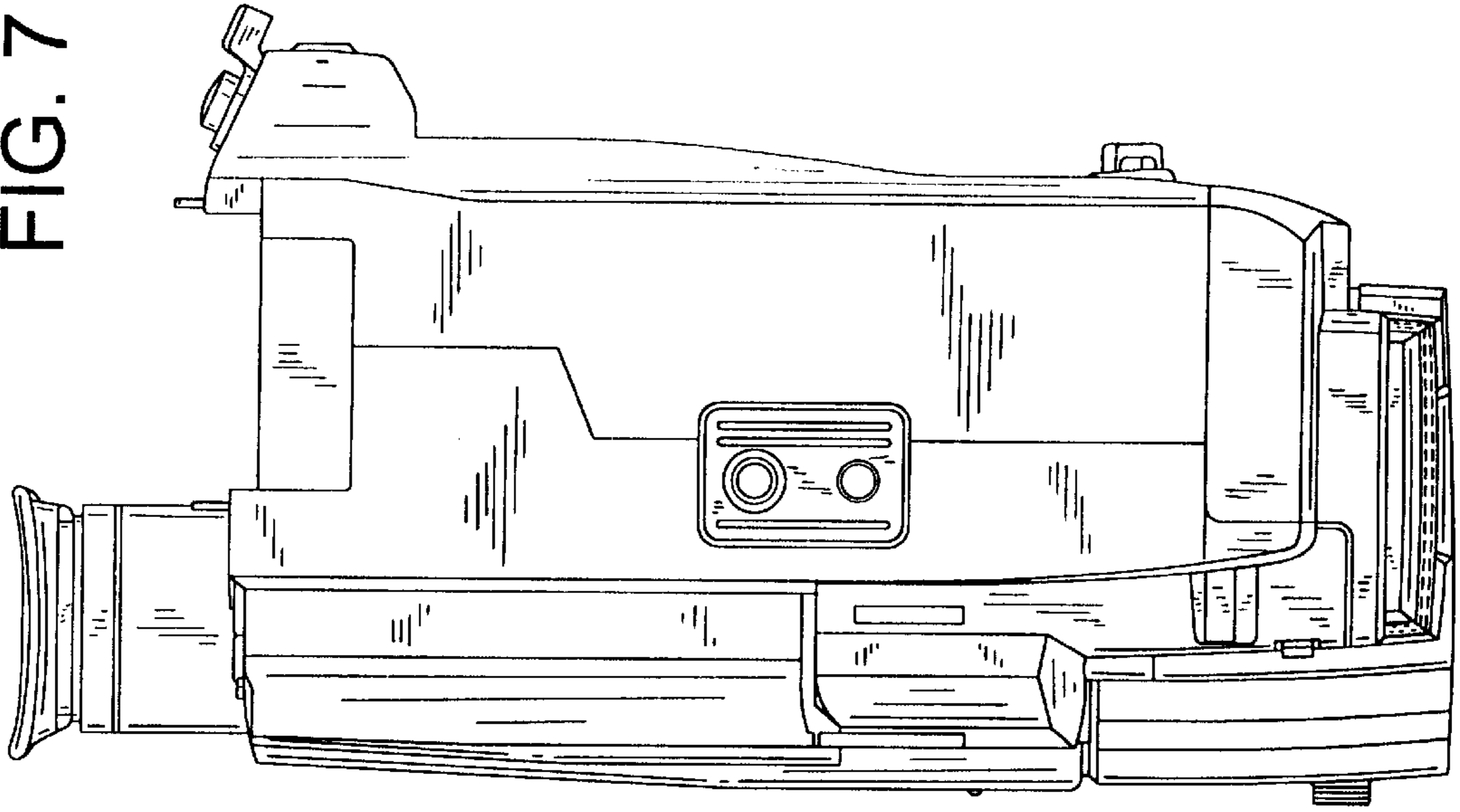


FIG. 6

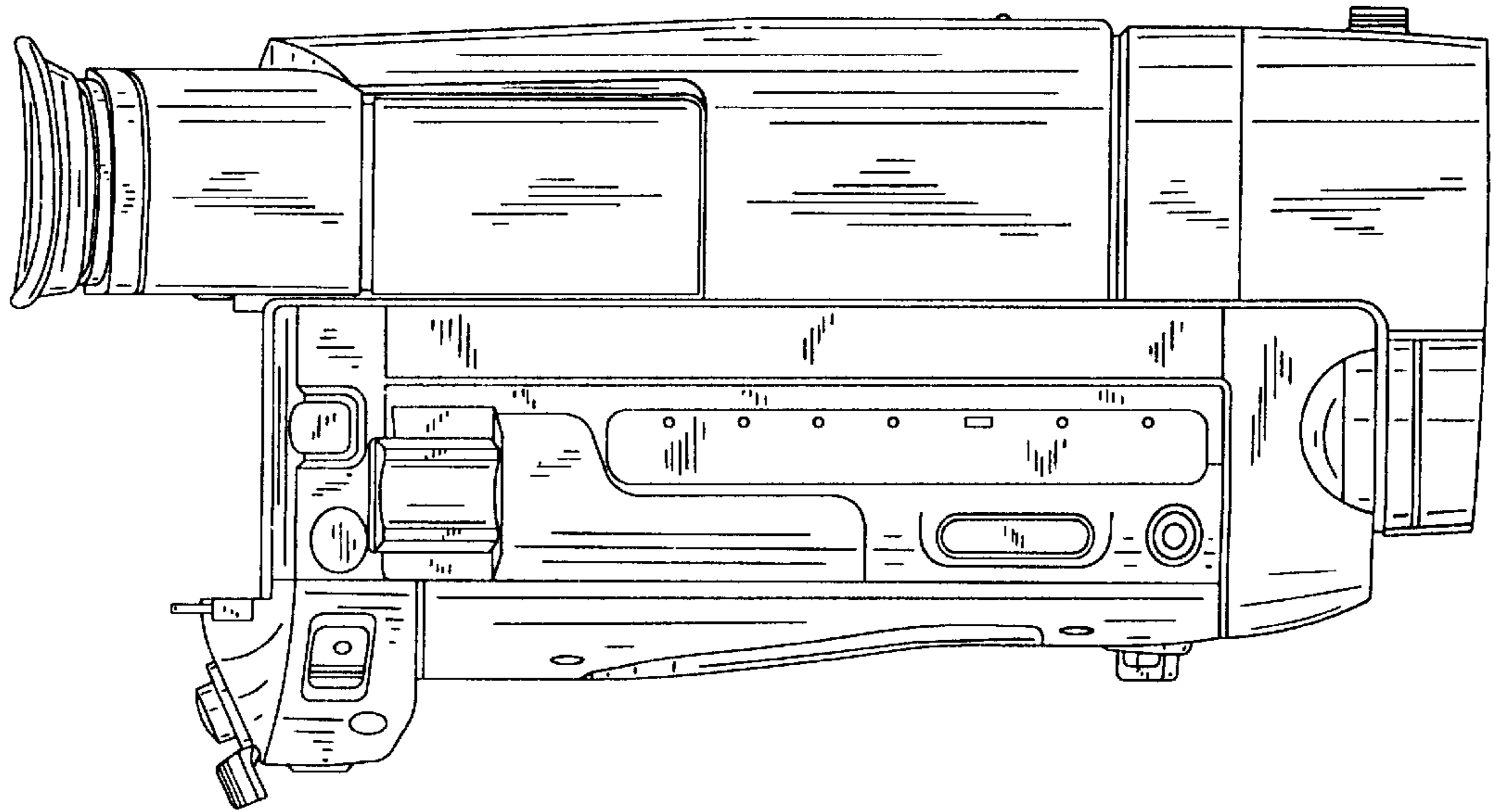


FIG. 8

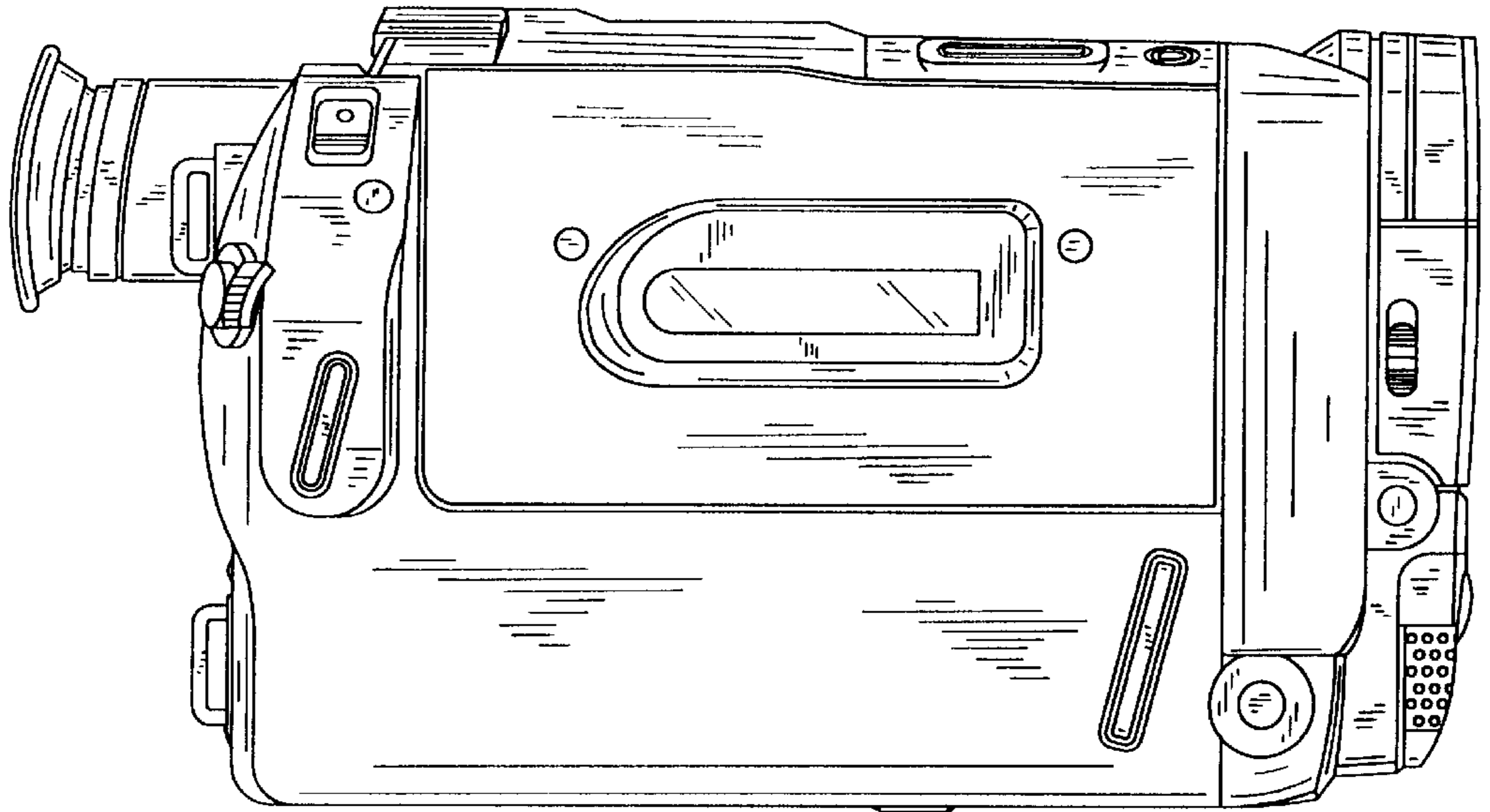


FIG. 9

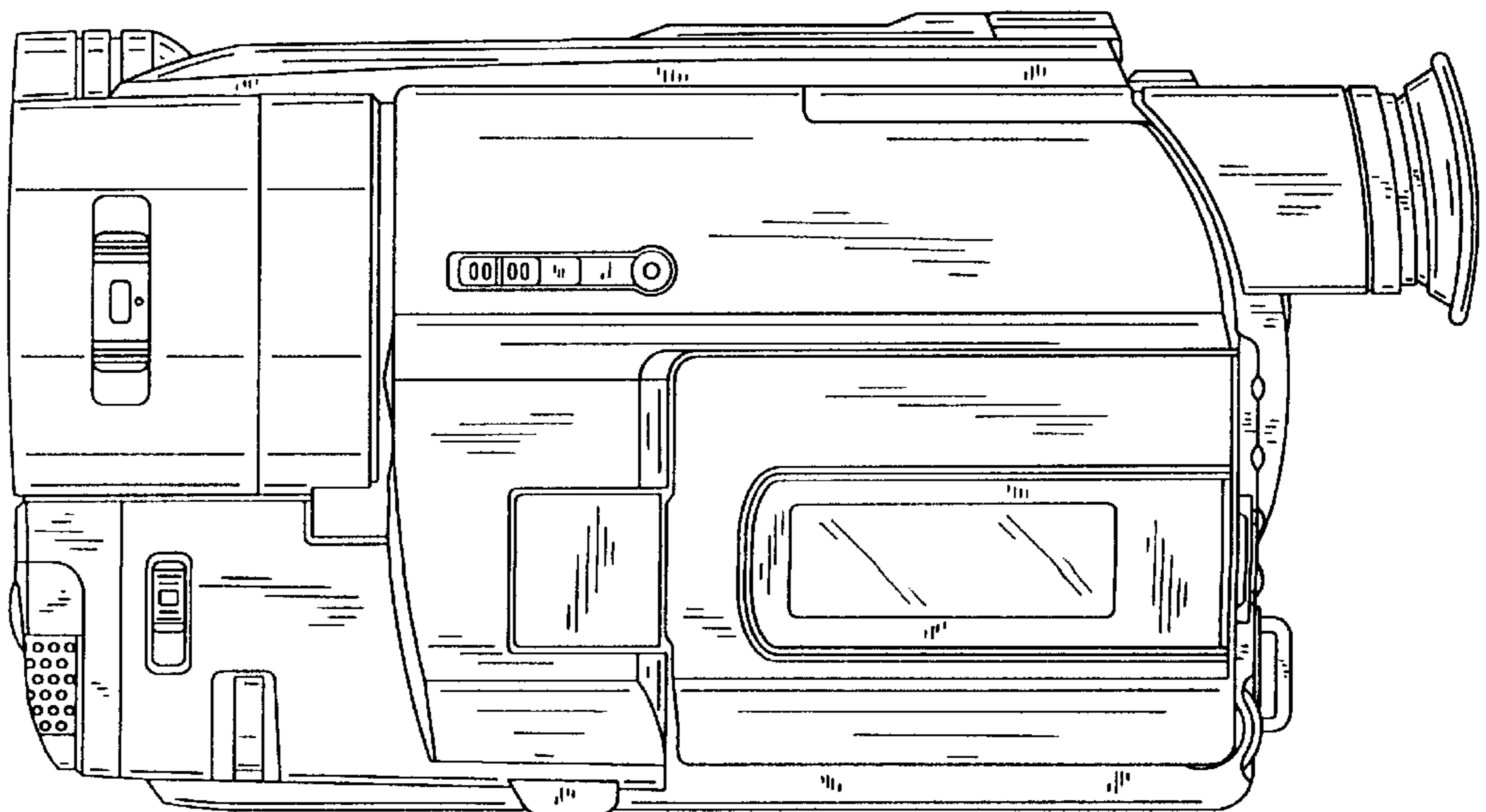


FIG. 11

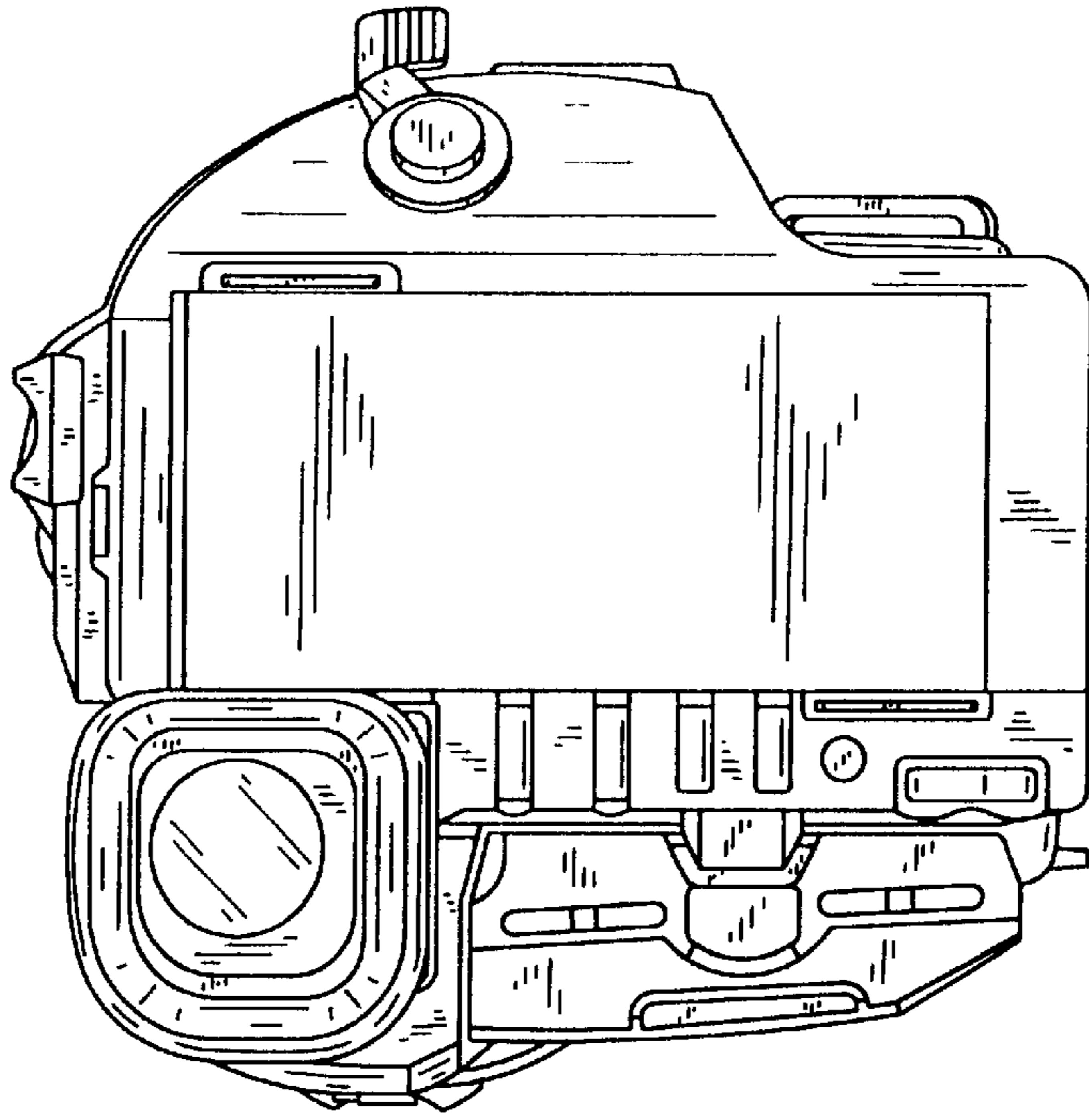


FIG. 10

