



US00D436974S

(12) **United States Design Patent**
Nakamura

(10) **Patent No.:** **US D436,974 S**

(45) **Date of Patent:** **** Jan. 30, 2001**

(54) **COMBINED VIDEO TAPE RECORDER AND CAMERA**

(75) **Inventor:** **Toshihiro Nakamura, Tokyo (JP)**

(73) **Assignee:** **Sony Corporation (JP)**

(**) **Term:** **14 Years**

(21) **Appl. No.:** **29/106,573**

(22) **Filed:** **Jun. 18, 1999**

(30) **Foreign Application Priority Data**

Dec. 18, 1998 (JP) 10-36621

(51) **LOC (7) Cl.** **16-01**

(52) **U.S. Cl.** **D16/202**

(58) **Field of Search** **D16/200-208;**
348/373-376; 352/242, 243; 358/906; 396/535-541

(56) **References Cited**

U.S. PATENT DOCUMENTS

- D. 400,900 * 11/1998 Harata D16/202
- D. 404,047 * 1/1999 Ishii D16/202
- D. 409,639 * 5/1999 Sumita D16/202
- D. 410,016 * 5/1999 Maeyama D16/202
- D. 415,778 * 10/1999 Harata D16/202
- D. 416,928 * 11/1999 Sumita D16/202
- 5,499,052 * 3/1996 Nakanishi et al. 348/373

FOREIGN PATENT DOCUMENTS

- DM/042 443 3/1998 (XH) .
- DM/042 742 4/1998 (XH) .

OTHER PUBLICATIONS

Catalog "INSIDE No. 8"; Sony; (Spring/Summer 1998); pp. 94 & 95.

Catalog "STYLE"; Sony; (Fall/Winter 1998); p. 160.

Catalog "89"; Sony; (Jul. 1998); pp. 7 & 8.

* cited by examiner

Primary Examiner—Adir Aronovich

(74) *Attorney, Agent, or Firm*—Rader, Fishman & Grauer

(57) **CLAIM**

The ornamental design for a combined video tape recorder and camera, as shown and described.

DESCRIPTION

FIG. 1 is a top, front perspective view of a combined video tape recorder and camera showing my new design;

FIG. 2 is a top, rear perspective view thereof, the viewing screen shown in an extending away position;

FIG. 3 is a top, rear perspective view thereof, the viewing screen shown in the first alternate position;

FIG. 4 is a top, rear perspective view thereof, the viewing screen shown in the second alternate position;

FIG. 5 is a top, rear perspective view thereof, the viewing screen shown in the third alternate position;

FIG. 6 is a top plan view thereof;

FIG. 7 is a bottom plan view thereof;

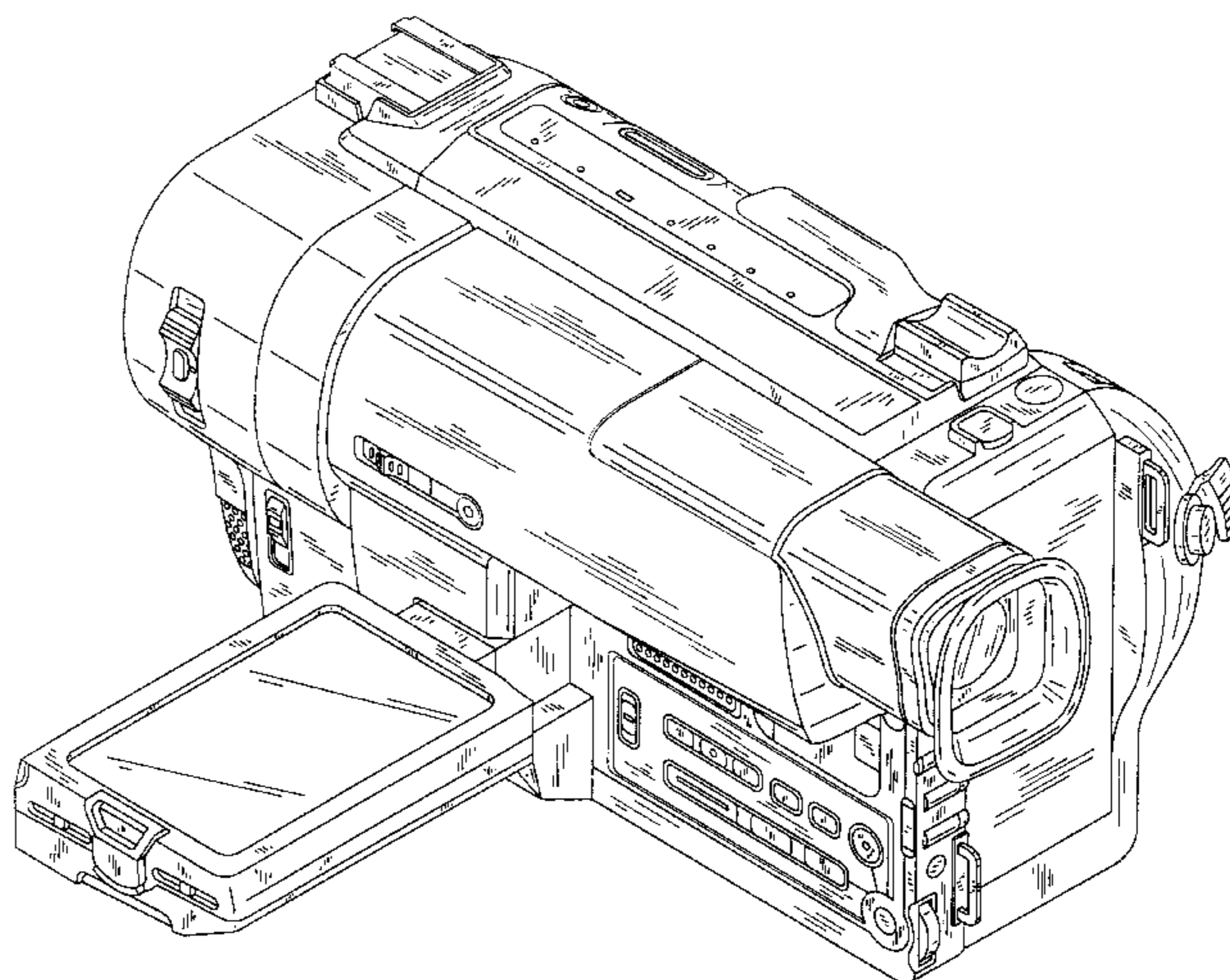
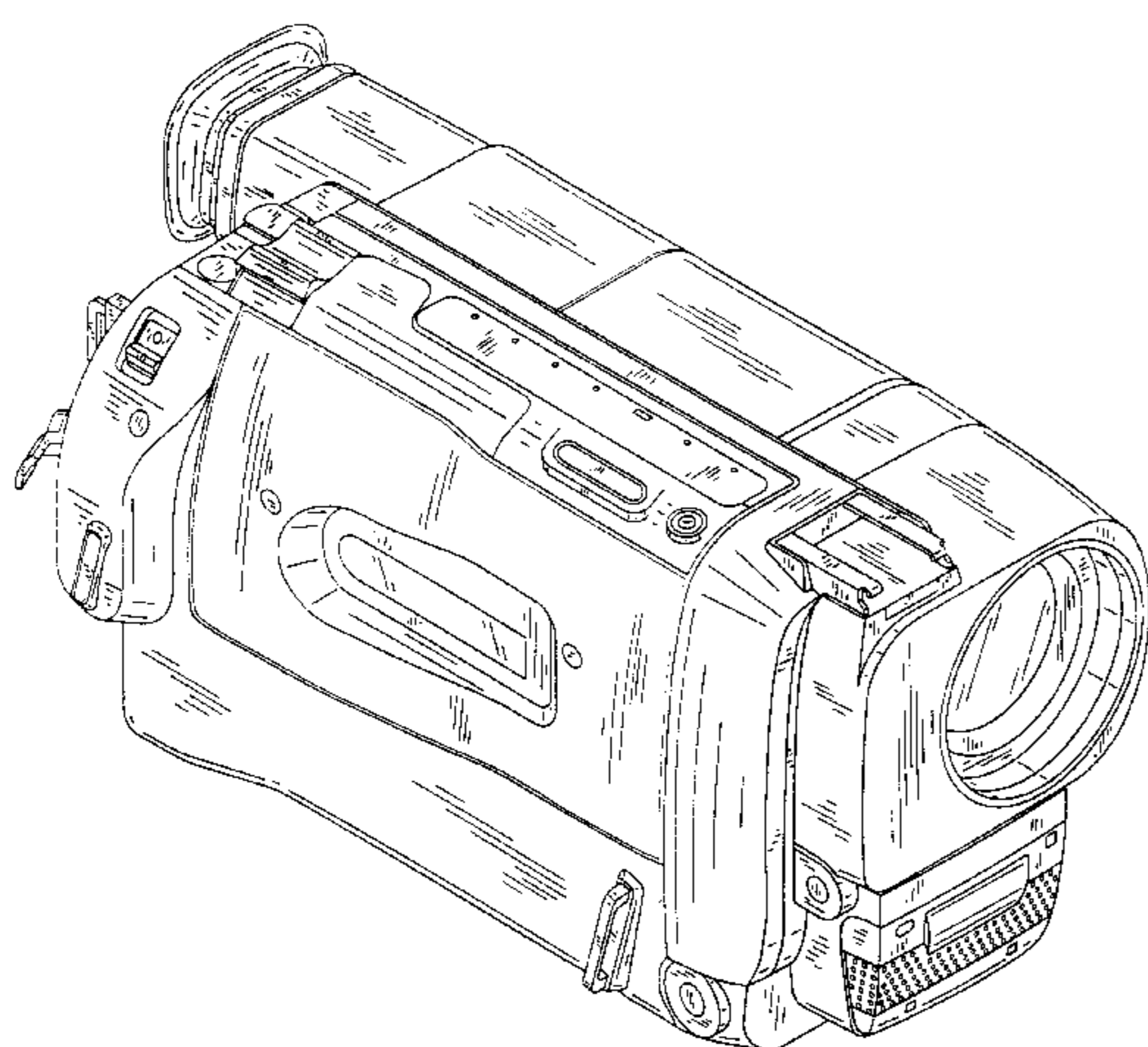
FIG. 8 is a left side elevational view thereof;

FIG. 9 is a right side elevational view thereof;

FIG. 10 is a front elevational view thereof; and,

FIG. 11 is a rear elevational view thereof.

1 Claim, 8 Drawing Sheets



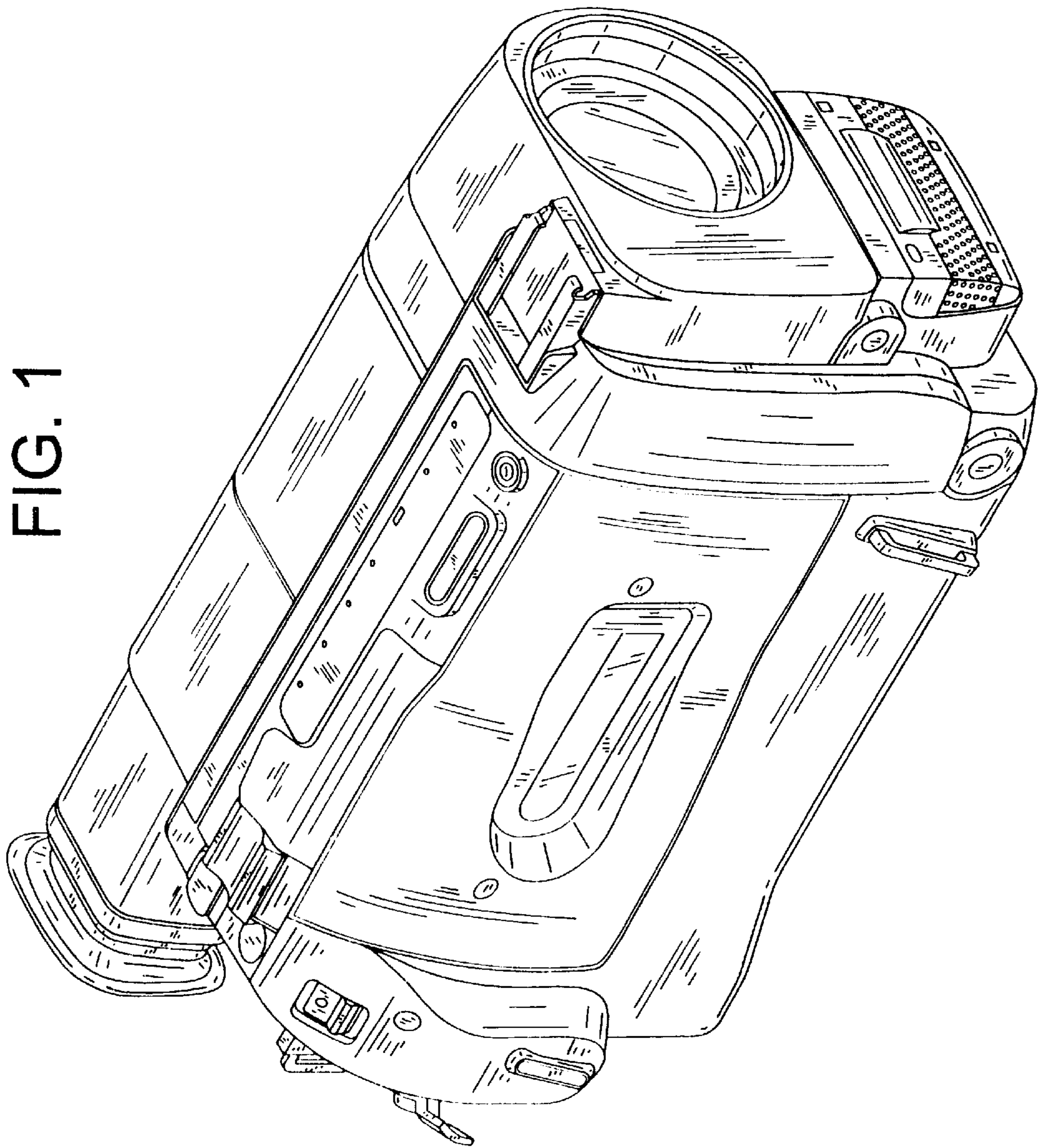


FIG. 1

FIG. 2

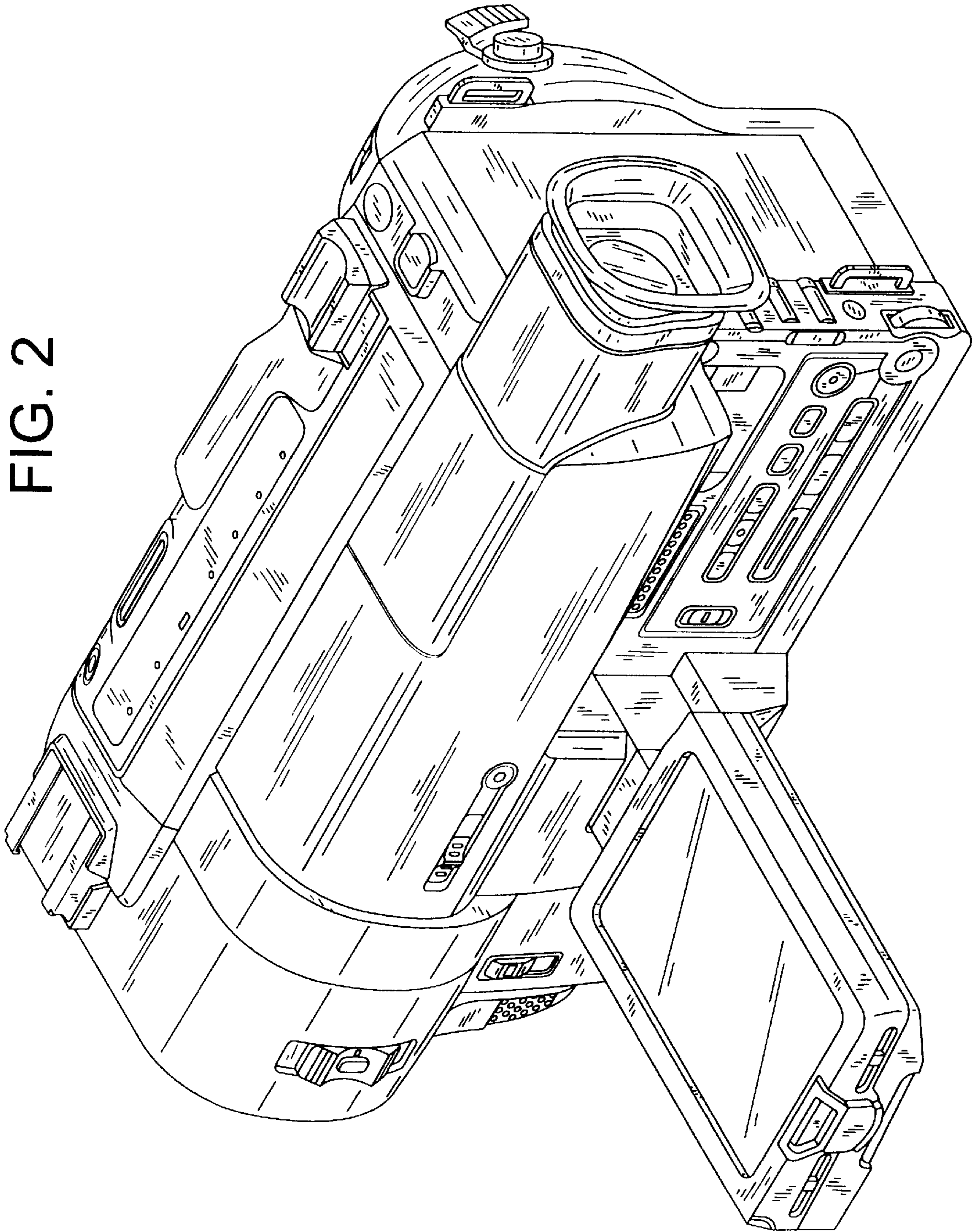


FIG. 3

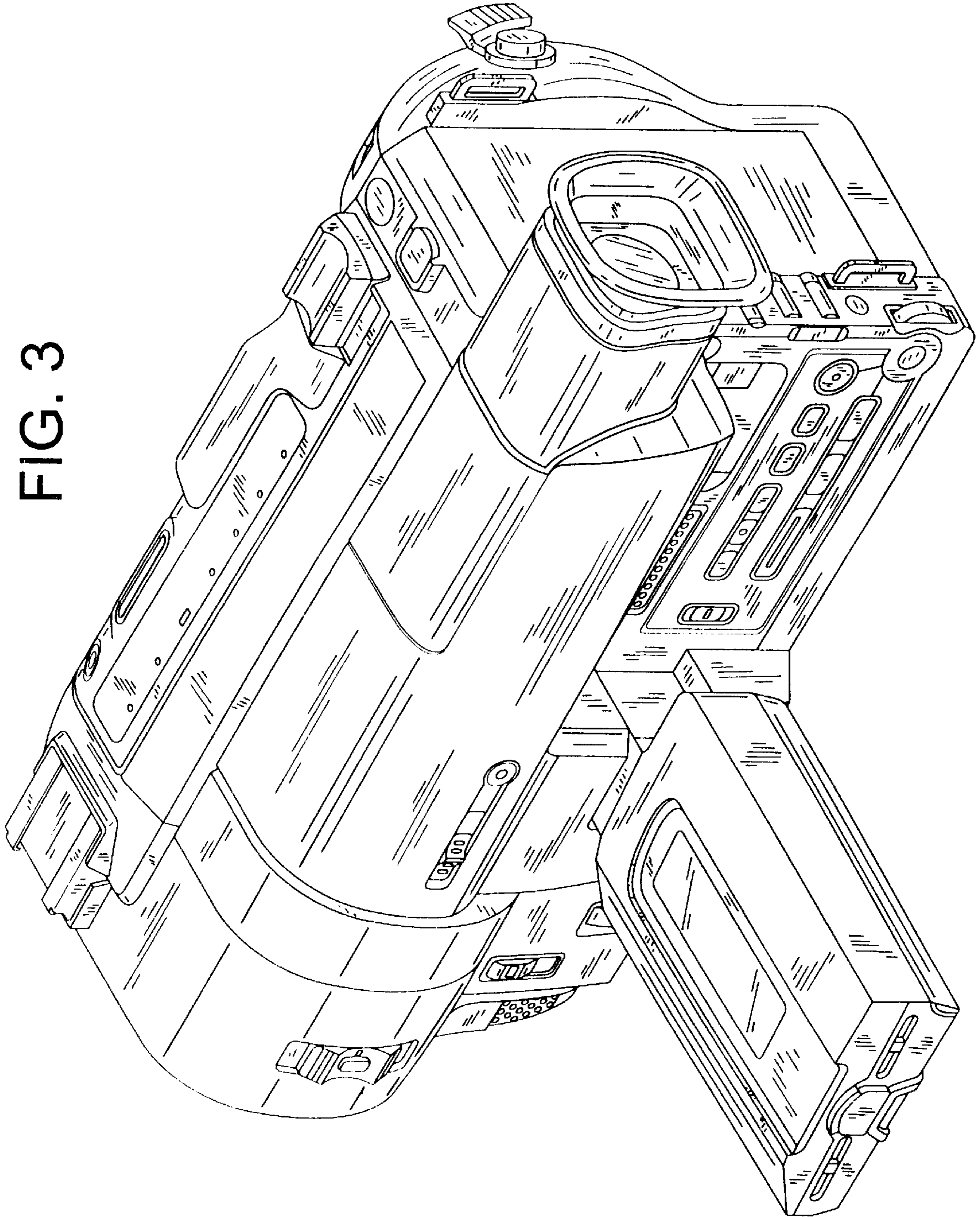


FIG. 4

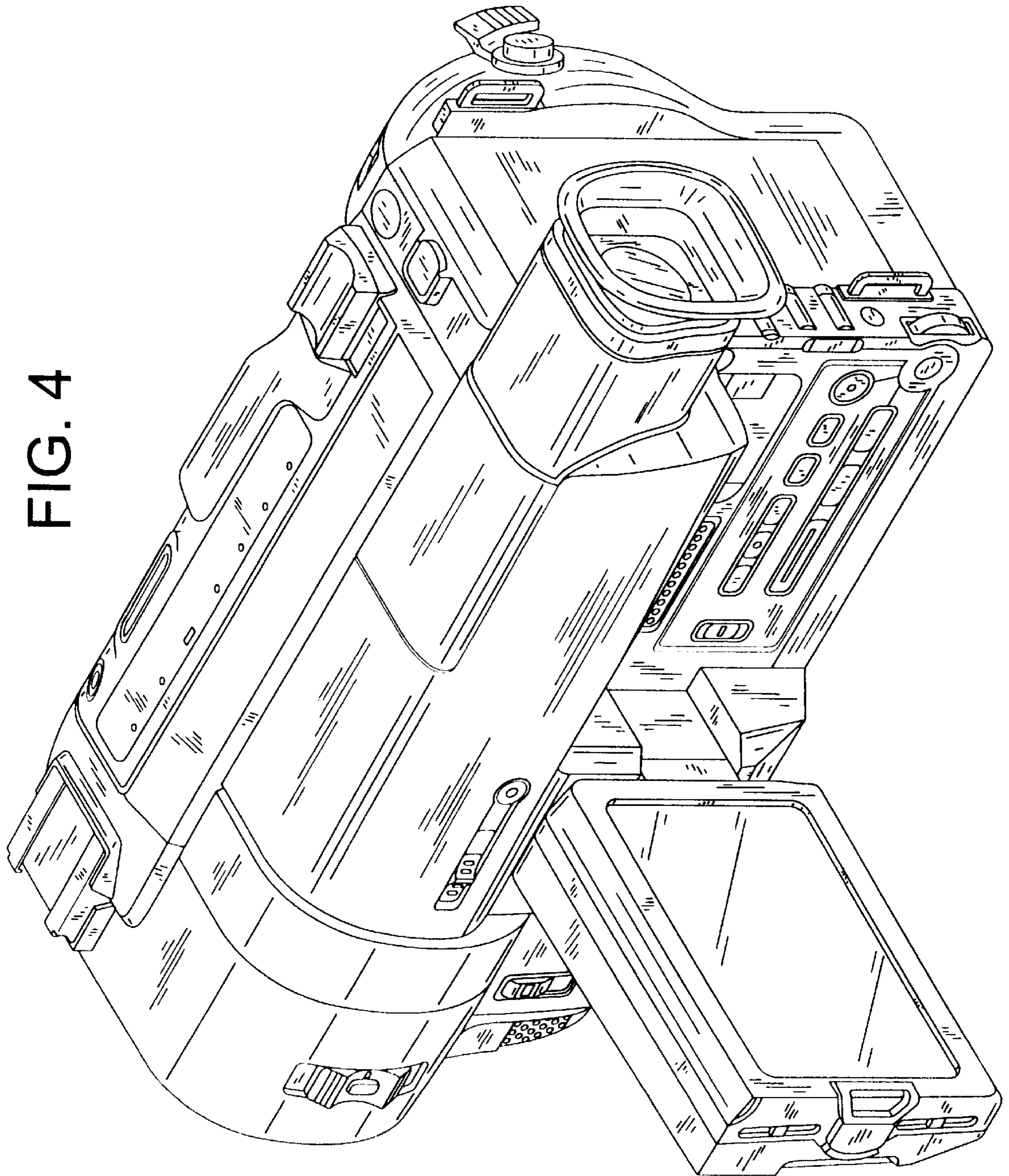


FIG. 5

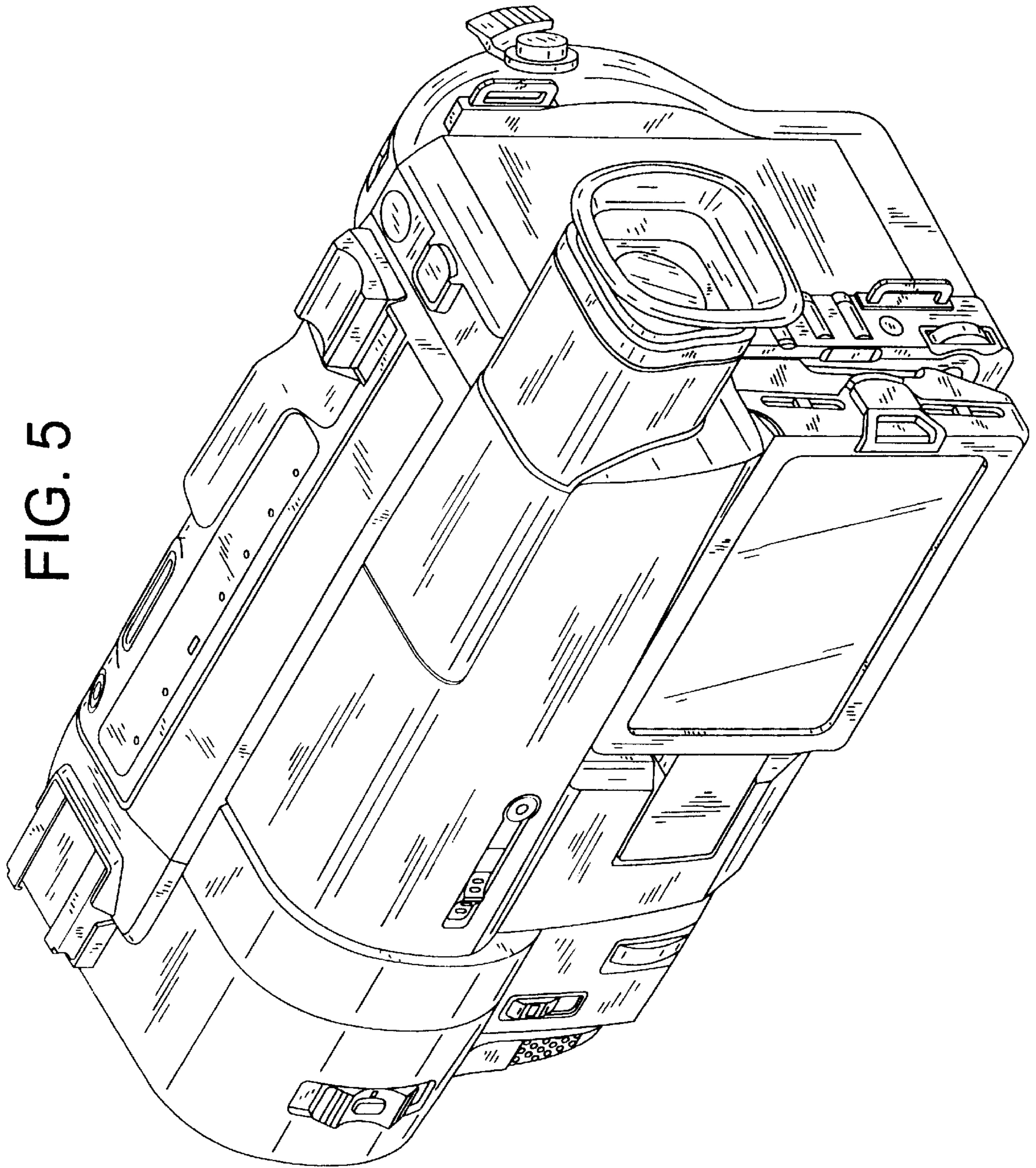


FIG. 7

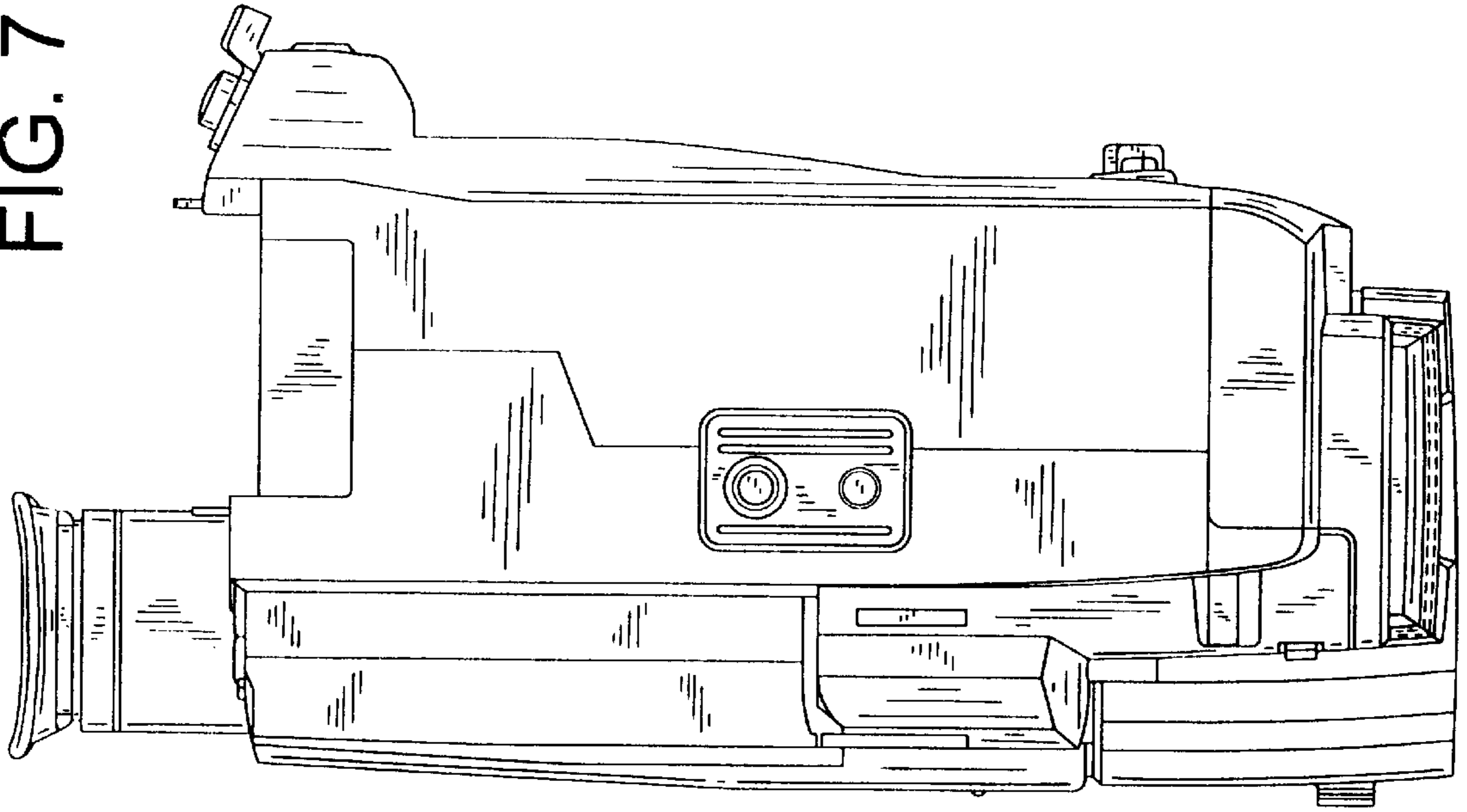


FIG. 6

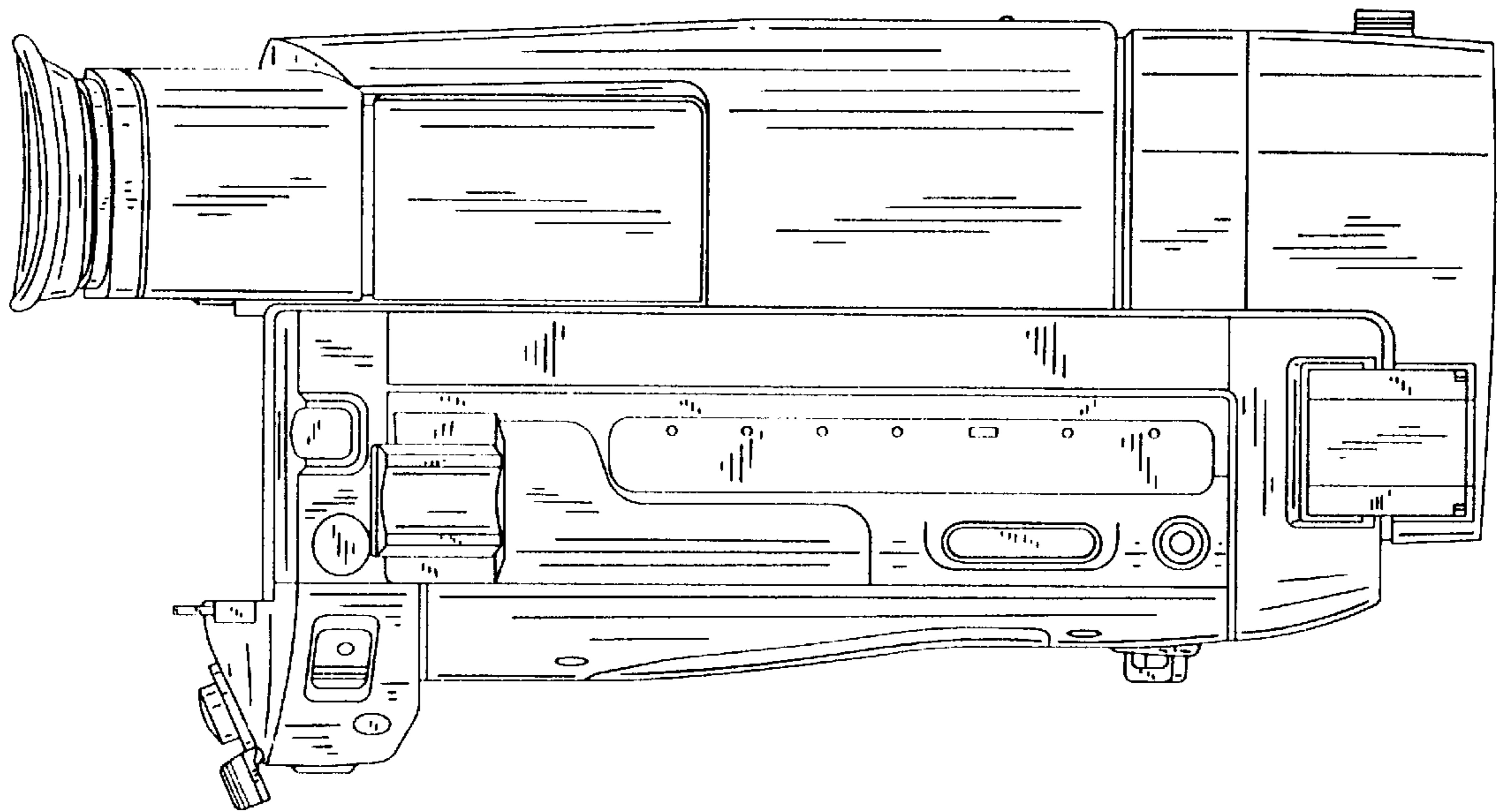


FIG. 8

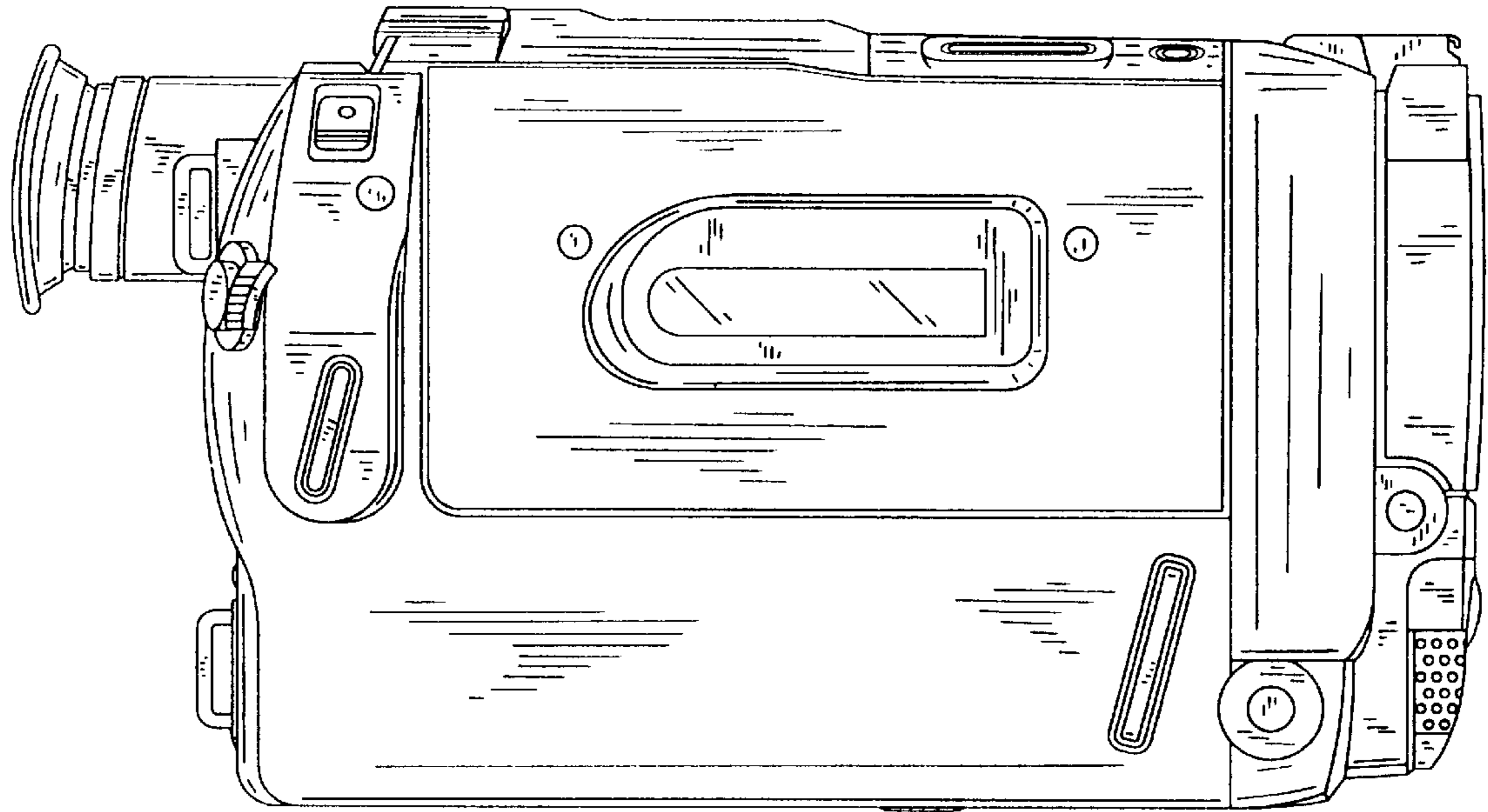


FIG. 9

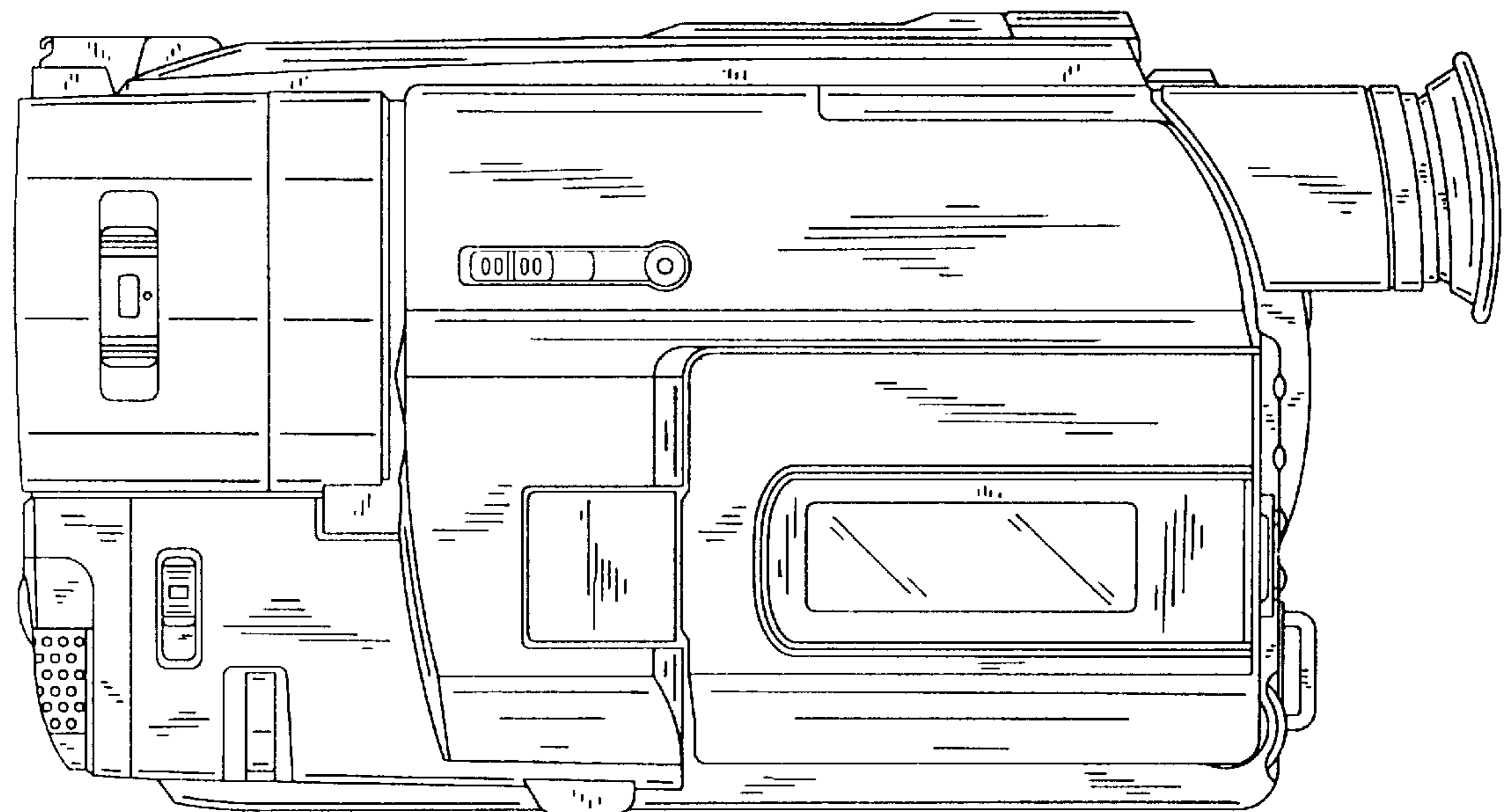


FIG. 10

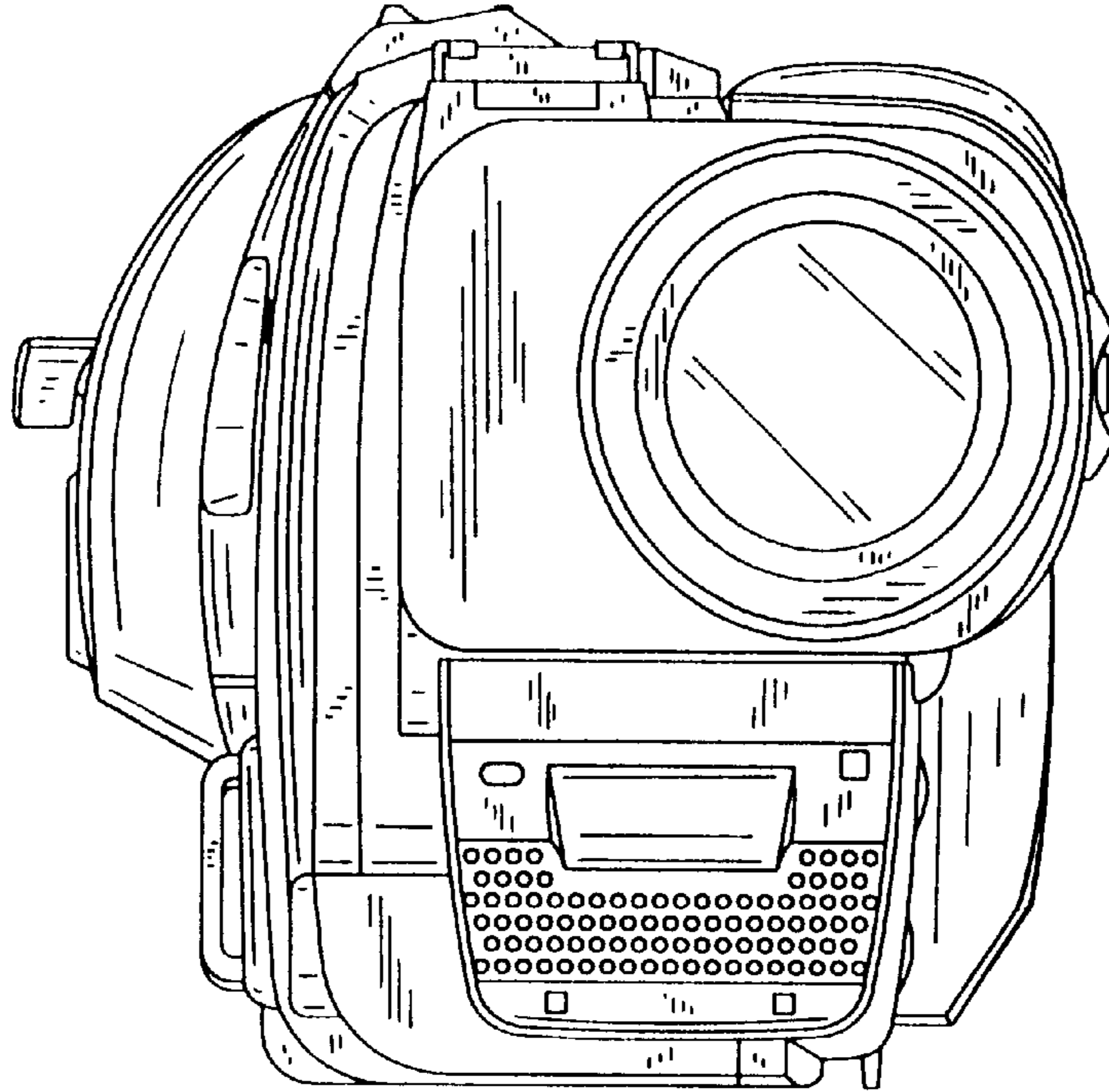


FIG. 11

