



US00D436972S

(12) **United States Design Patent**
Tai et al.

(10) **Patent No.:** **US D436,972 S**

(45) **Date of Patent:** **** Jan. 30, 2001**

(54) **MICROSCOPE**

(75) Inventors: **Ernest Tai**, Lawrenceville; **William G. Chen**, Snellville, both of GA (US)

(73) Assignee: **L. W. Scientific, Inc.**, Tucker, GA (US)

(**) Term: **14 Years**

(21) Appl. No.: **29/119,240**

(22) Filed: **Feb. 24, 2000**

(51) **LOC (7) Cl.** **16-06**

(52) **U.S. Cl.** **D16/131**

(58) **Field of Search** D16/130, 131;
359/375, 376, 377, 381, 382, 385, 390

(56) **References Cited**

U.S. PATENT DOCUMENTS

D. 330,719	*	11/1992	Ishibashi	D16/131
D. 417,880	*	12/1999	Wani et al.	D16/131
1,853,674	*	4/1932	Engelmann	359/375
2,166,034	*	7/1939	Allison	359/383
2,206,180	*	7/1940	Gerstenberger et al.	359/385
2,214,367	*	9/1940	Gallasch	359/382
2,910,913	*	11/1959	Michel	359/388 X

3,019,706	*	2/1962	Ueno	359/383
3,971,622	*	7/1976	Yoshinaga	359/390
4,283,111	*	8/1981	Wieber et al.	359/381
5,198,927	*	3/1993	Rathbone	359/385

* cited by examiner

Primary Examiner—Paula A. Mortimer

(74) *Attorney, Agent, or Firm*—Thomas, Kayden, Horstemeyer & Risley

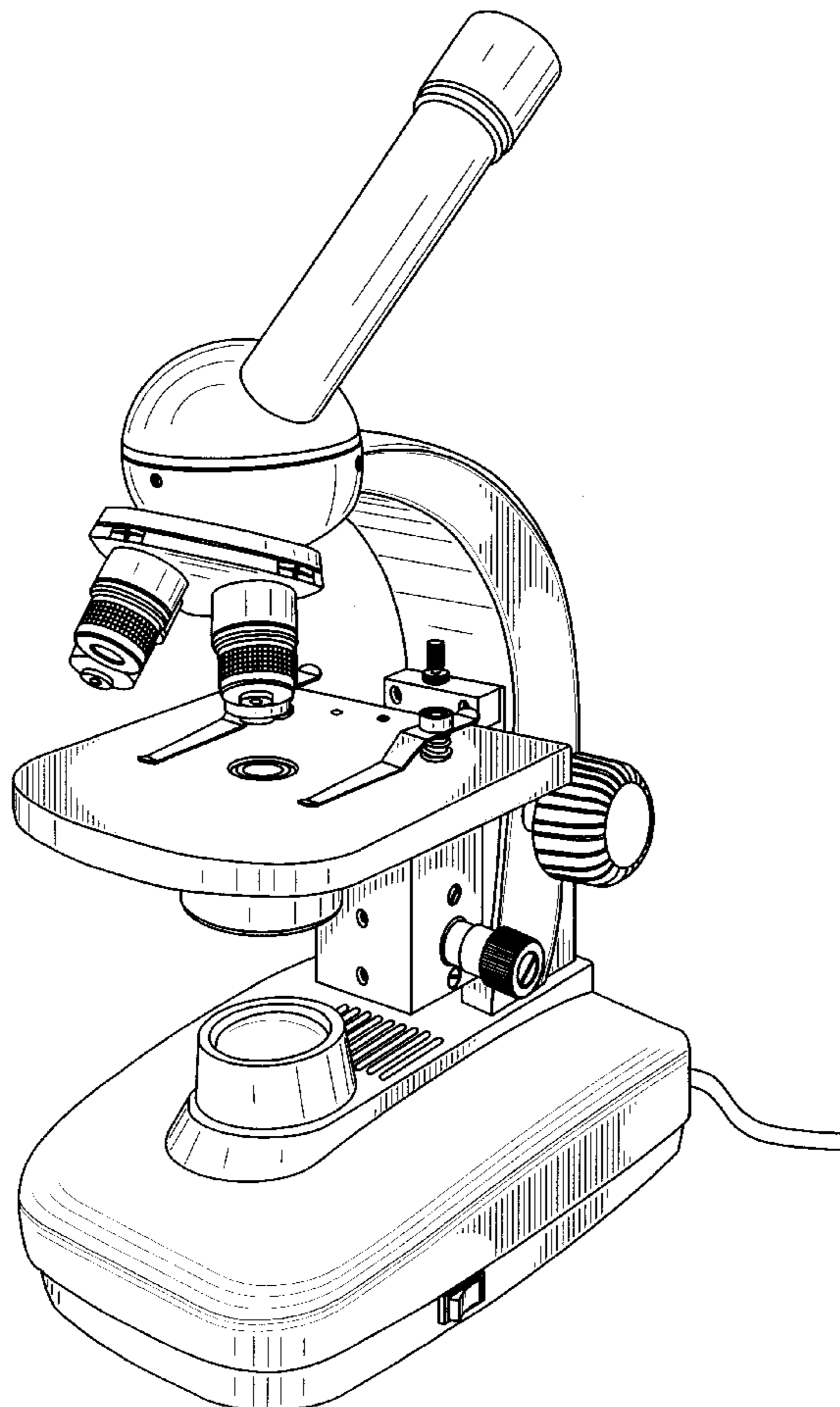
(57) **CLAIM**

The ornamental design for a microscope, as shown and described.

DESCRIPTION

FIG. 1 is a perspective view of a microscope of the front, top, and right side, showing our new design, the cord is drawn broken away for ease of illustration; FIG. 2 is a front elevational view thereof; FIG. 3 is a right elevational view thereof; FIG. 4 is a left elevational view thereof; FIG. 5 is a rear elevational view thereof; FIG. 6 is a bottom view thereof; and, FIG. 7 is a top view thereof.

1 Claim, 7 Drawing Sheets



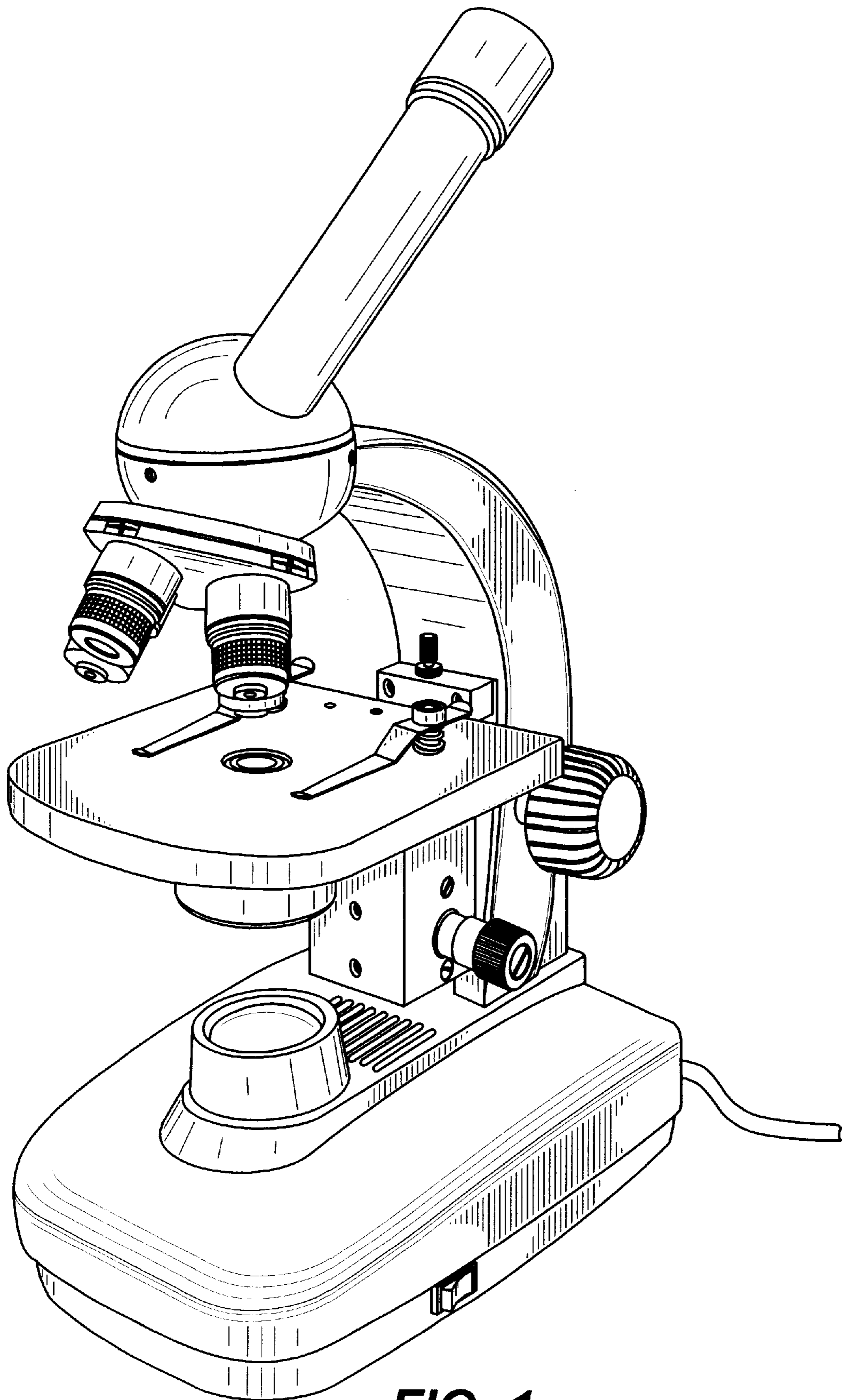


FIG. 1

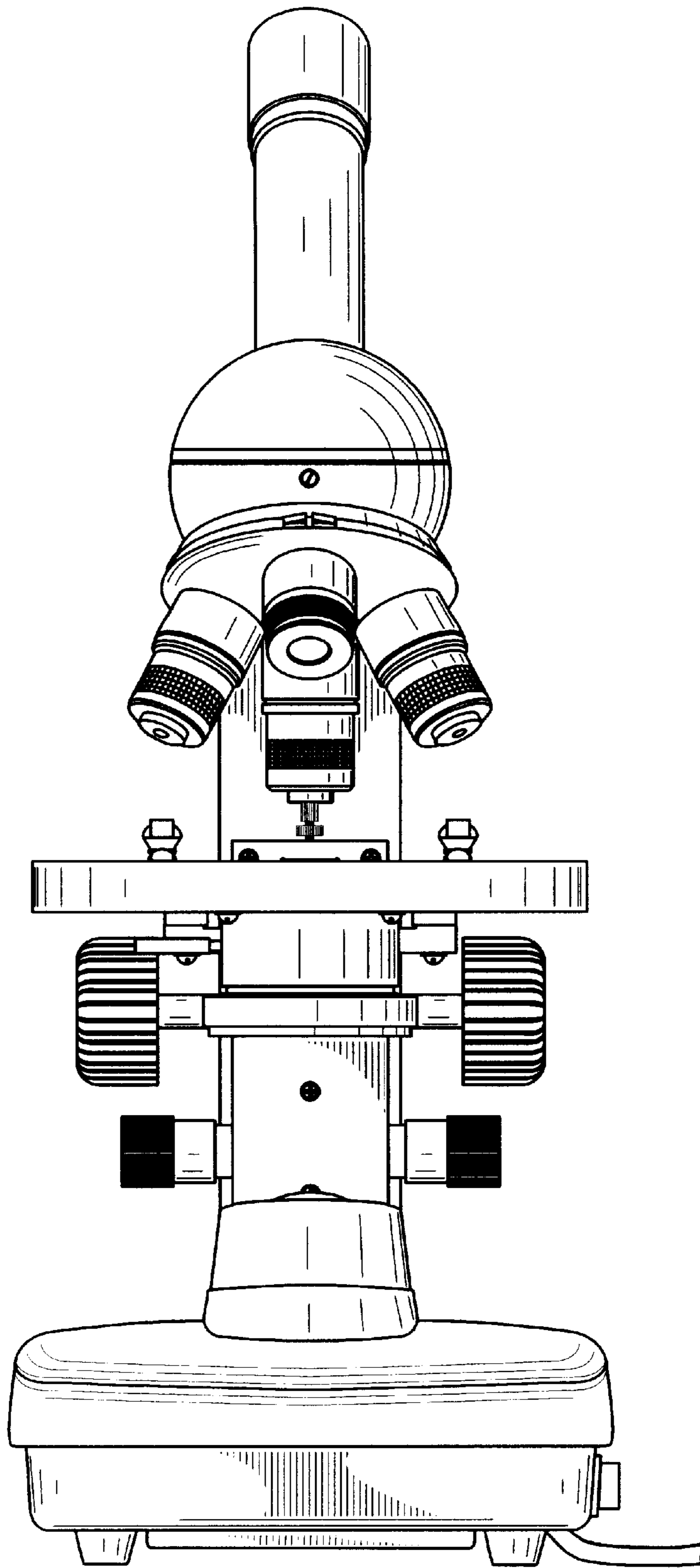


FIG. 2

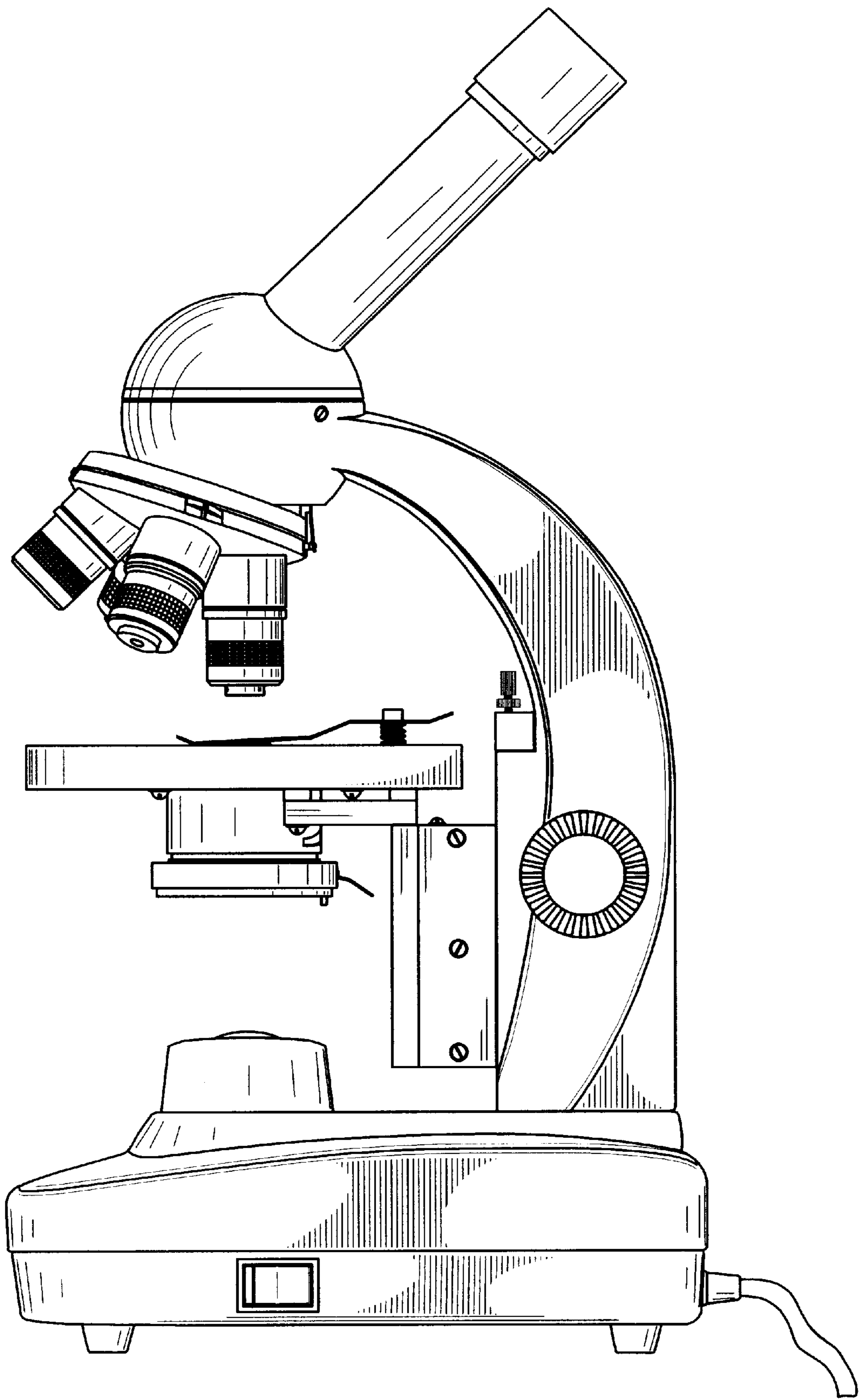


FIG. 3

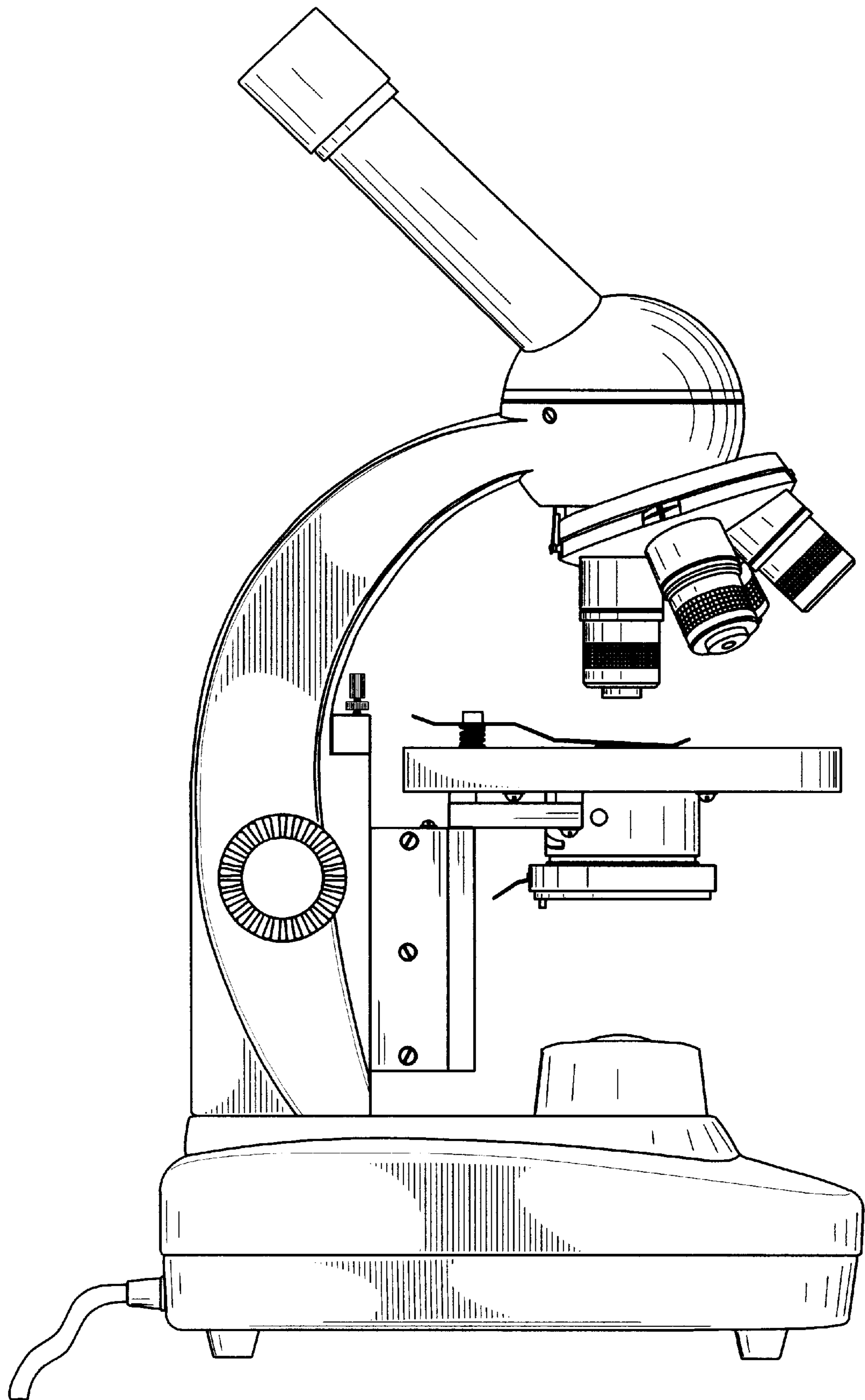


FIG. 4

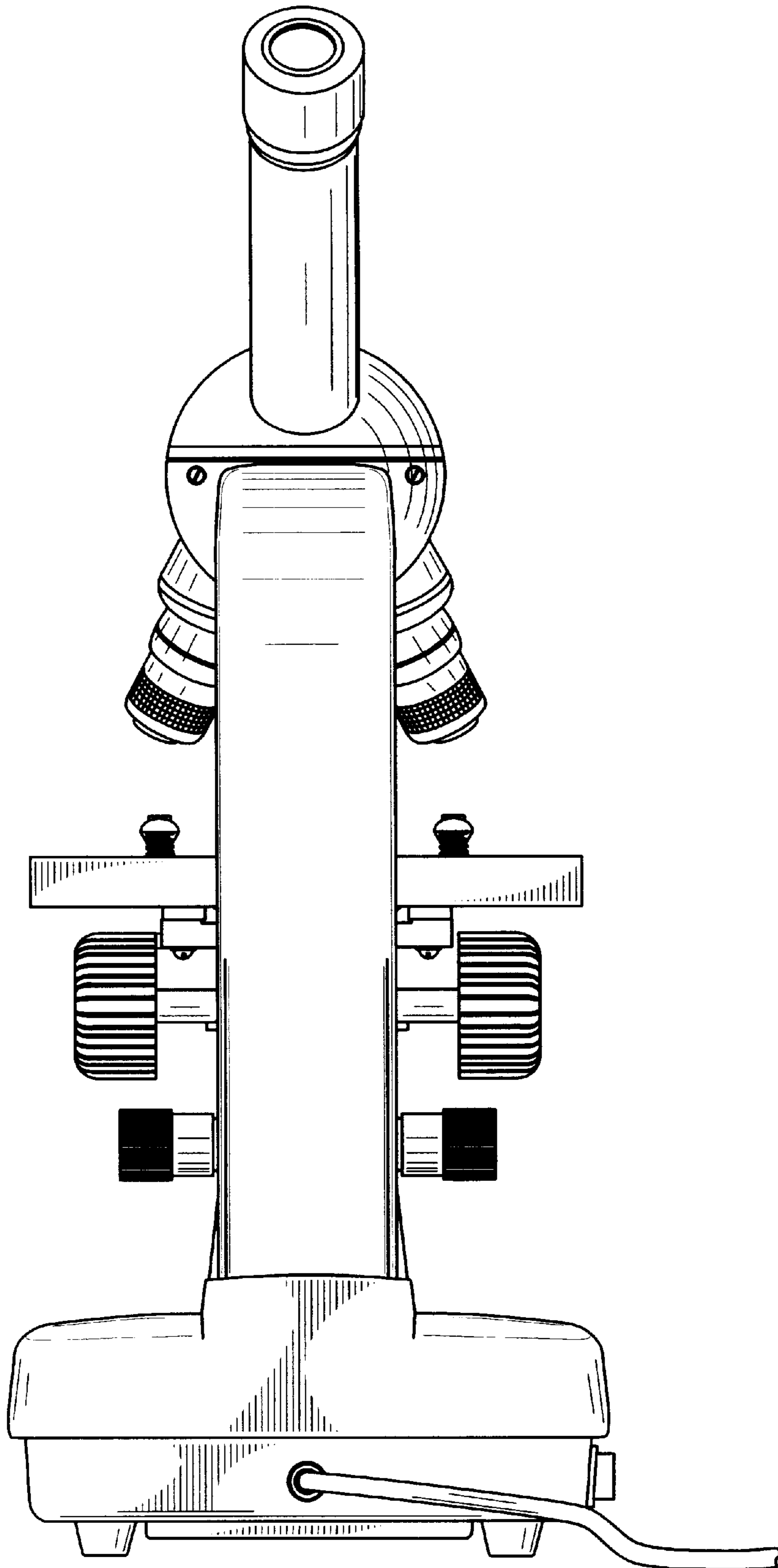


FIG. 5

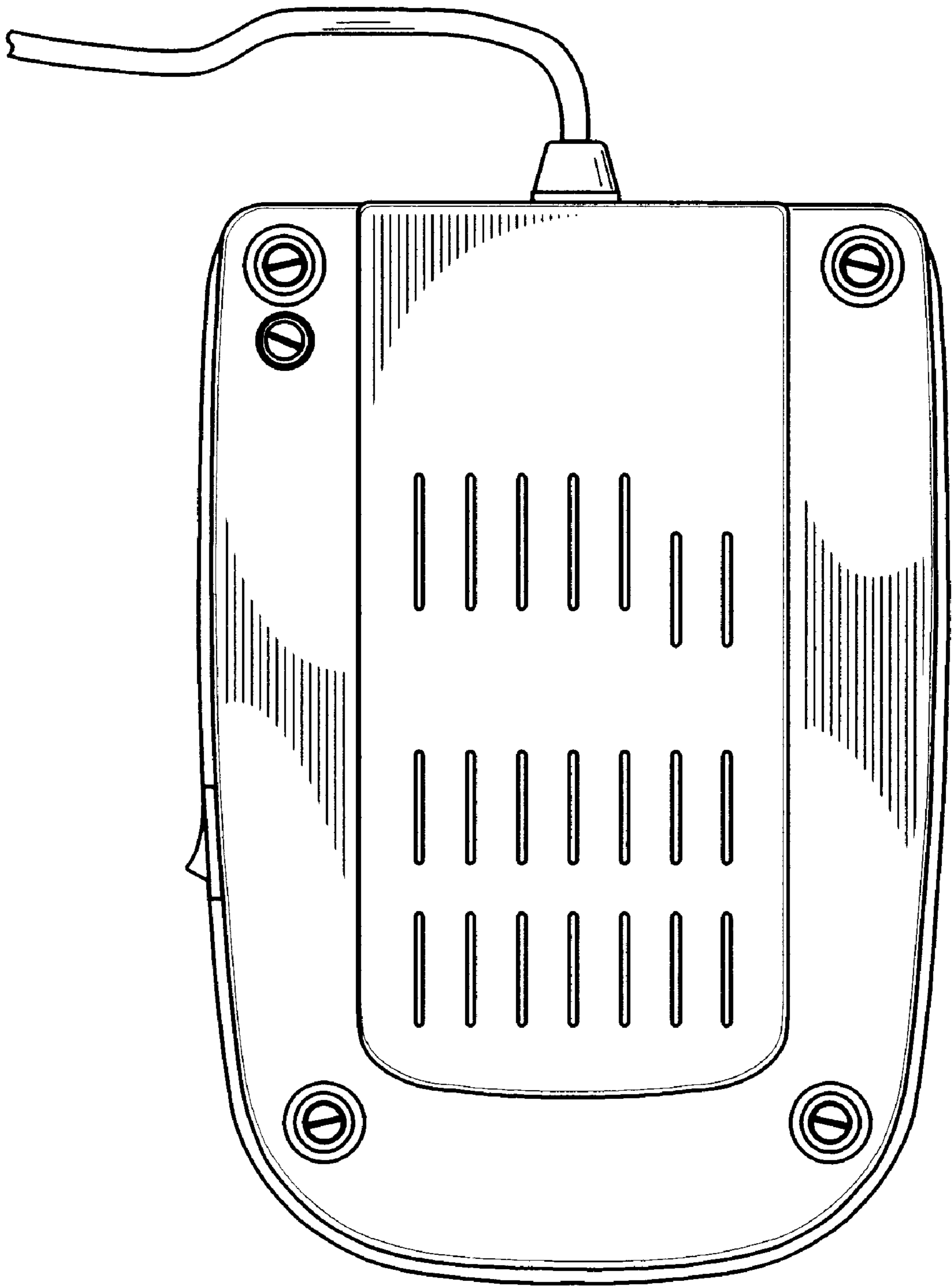


FIG. 6

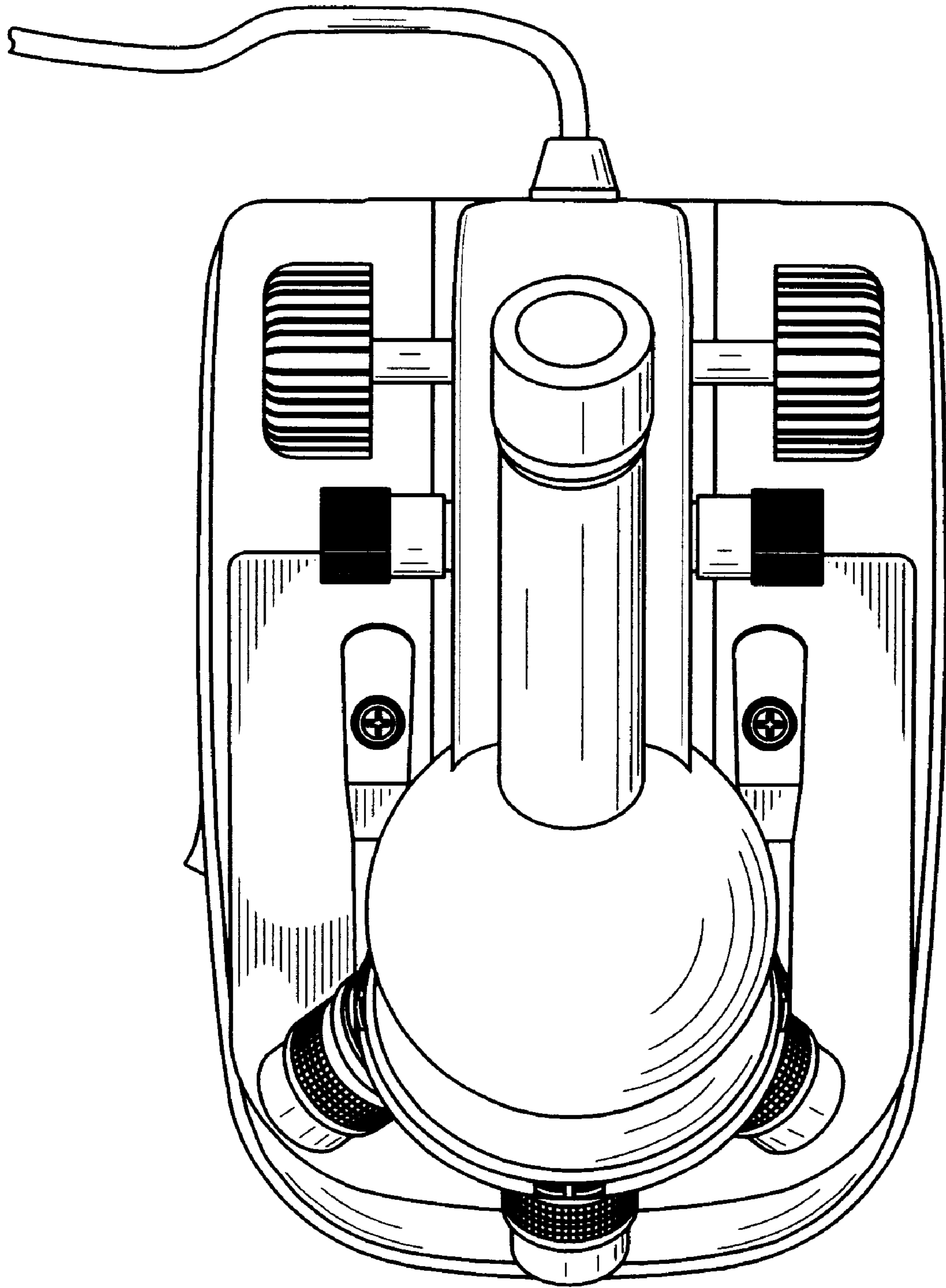


FIG. 7