



US00D436970S

(12) **United States Design Patent**
Choi

(10) **Patent No.:** **US D436,970 S**

(45) **Date of Patent:** **** Jan. 30, 2001**

(54) **BAG SEALER**

3,847,712 * 11/1974 Hubbard D15/146 X

(75) Inventor: **Lung Wai Choi**, Kowloon (HK)

* cited by examiner

(73) Assignee: **Goodway Electrical Co. Ltd.**,
Kowloon (HK)

Primary Examiner—Antoine Duval Davis

(74) *Attorney, Agent, or Firm*—Christensen O'Connor
Johnson Kindness PLLC

(**) Term: **14 Years**

(57) **CLAIM**

(21) Appl. No.: **29/114,374**

The ornamental design for a bag sealer, as shown and described.

(22) Filed: **Nov. 22, 1999**

(30) **Foreign Application Priority Data**

DESCRIPTION

May 20, 1999 (GB) 2083594

FIG. 1 is a left side view of my new bag sealer, shown with the lid in an open configuration;

(51) **LOC (7) Cl.** **15-09**

FIG. 2 is a left side view thereof, shown with the lid closed;

(52) **U.S. Cl.** **D15/136**

FIG. 3 is a right side view thereof, shown with the lid open;

(58) **Field of Search** D15/145, 146;
156/515, 583.4, 583.9; 101/9; 219/143

FIG. 4 is a right side view thereof, shown with the lid closed;

FIG. 5 is a top view thereof, shown with the lid open;

FIG. 6 is a top view thereof, shown with the lid closed;

FIG. 7 is a front view thereof, shown with the lid closed;

FIG. 8 is a back view thereof, shown with the lid closed; and,

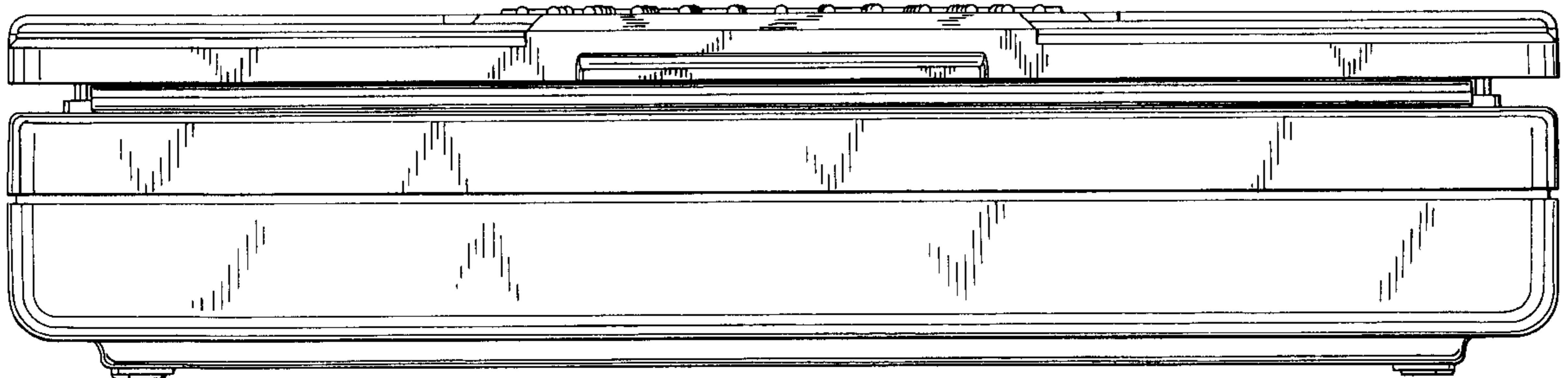
FIG. 9 is a bottom view thereof, shown with the lid closed.

(56) **References Cited**

U.S. PATENT DOCUMENTS

D. 342,532 * 12/1993 Deal D15/146

1 Claim, 7 Drawing Sheets



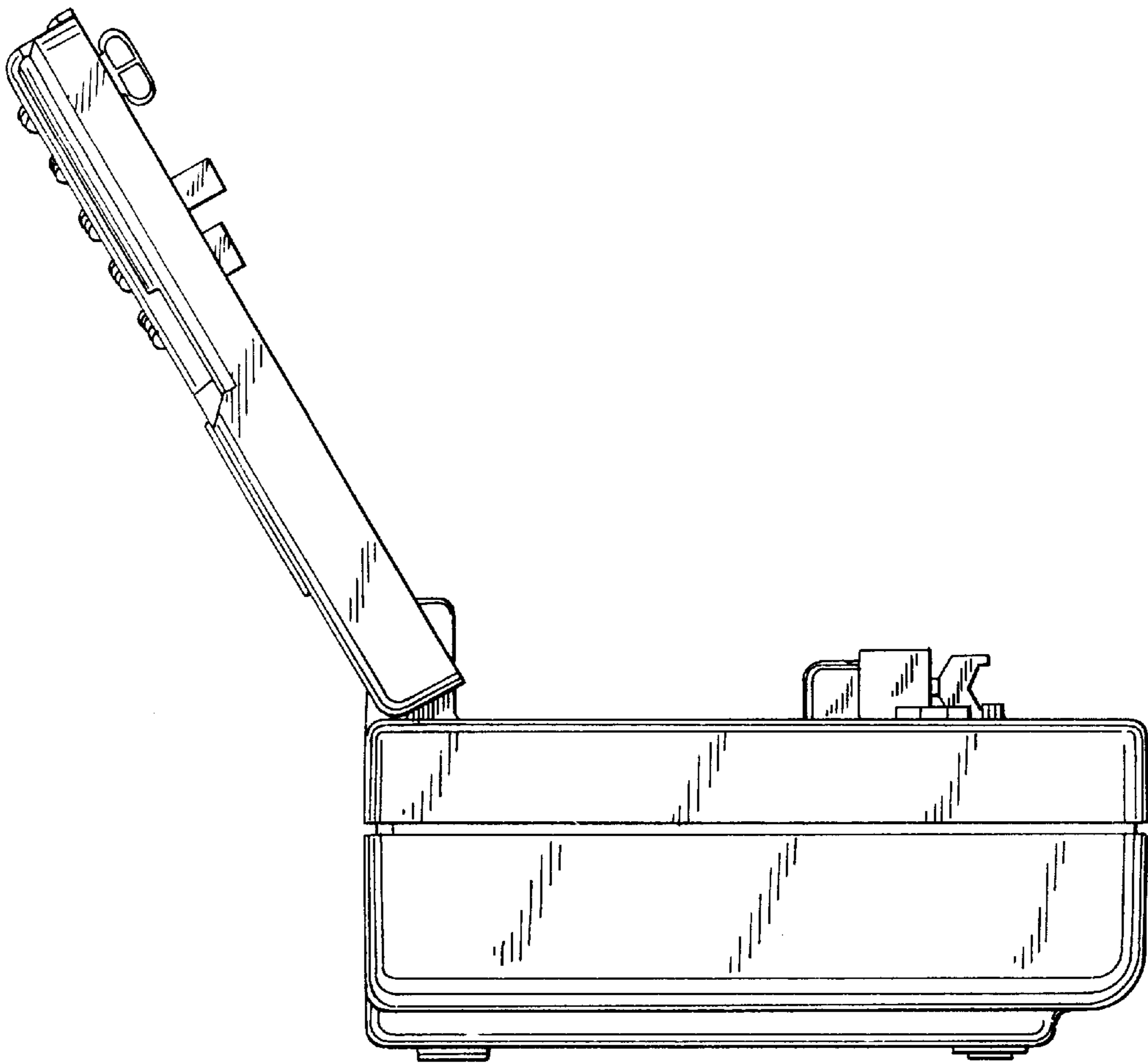


FIG 1

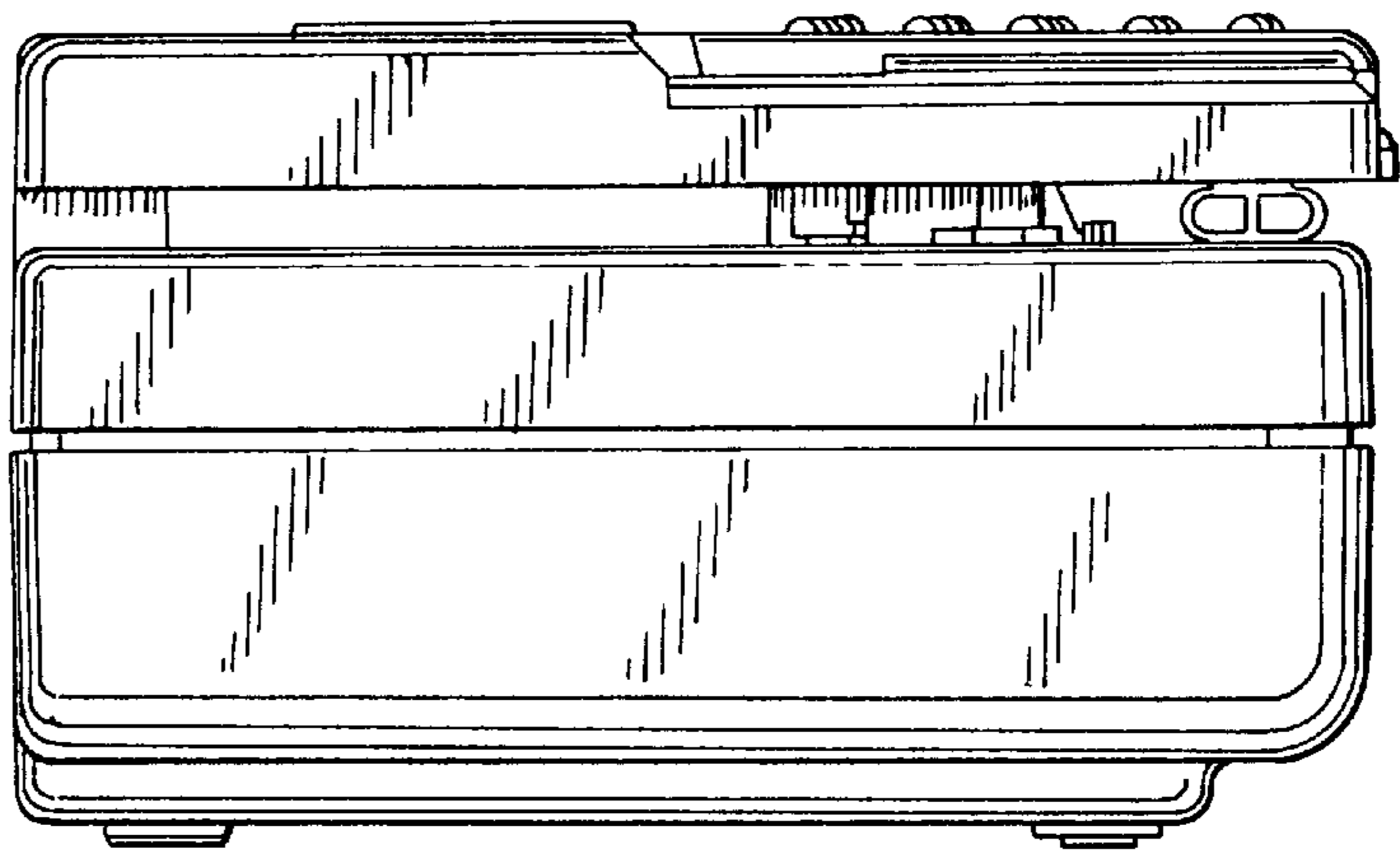


FIG 2

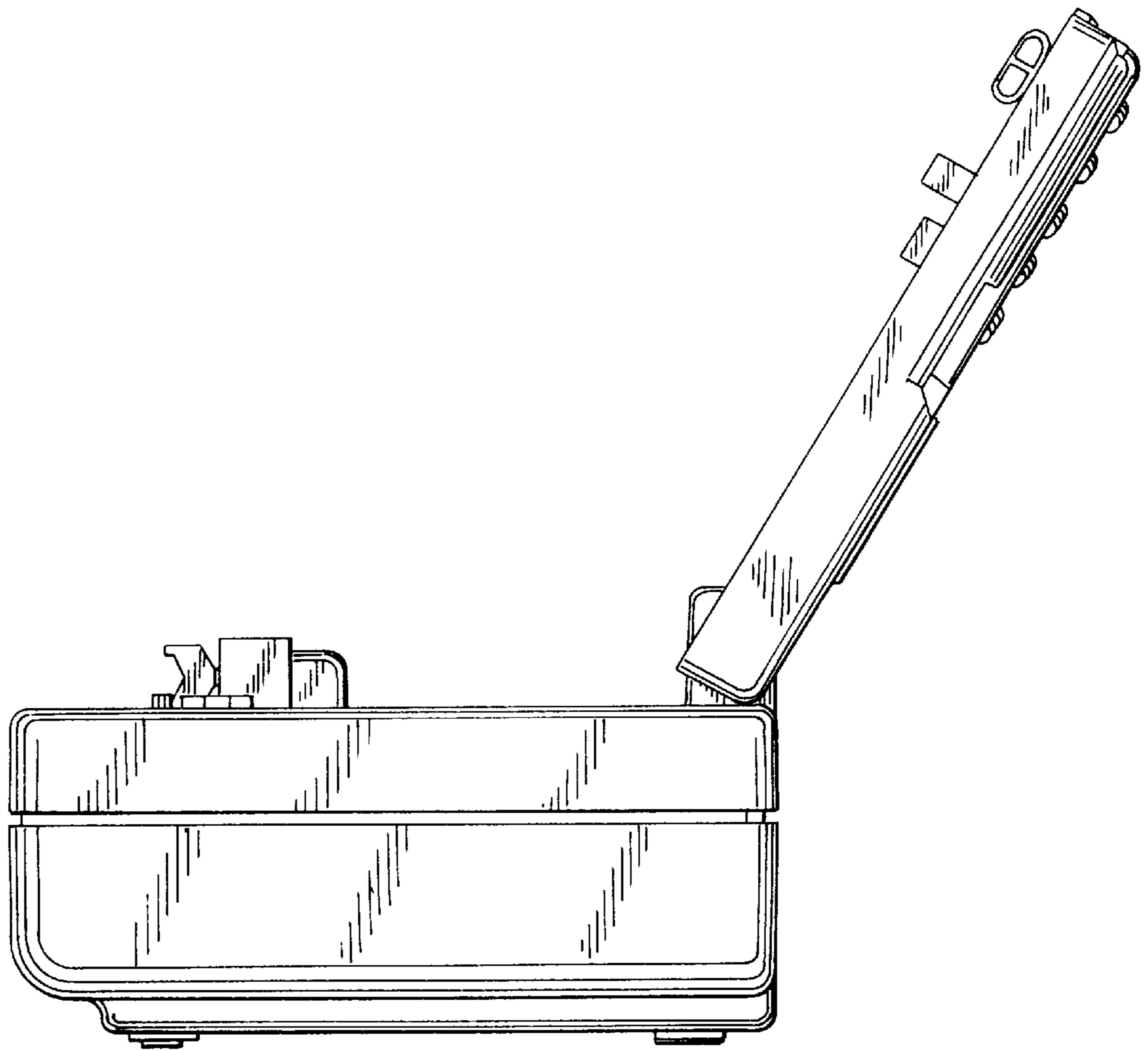


FIG 3

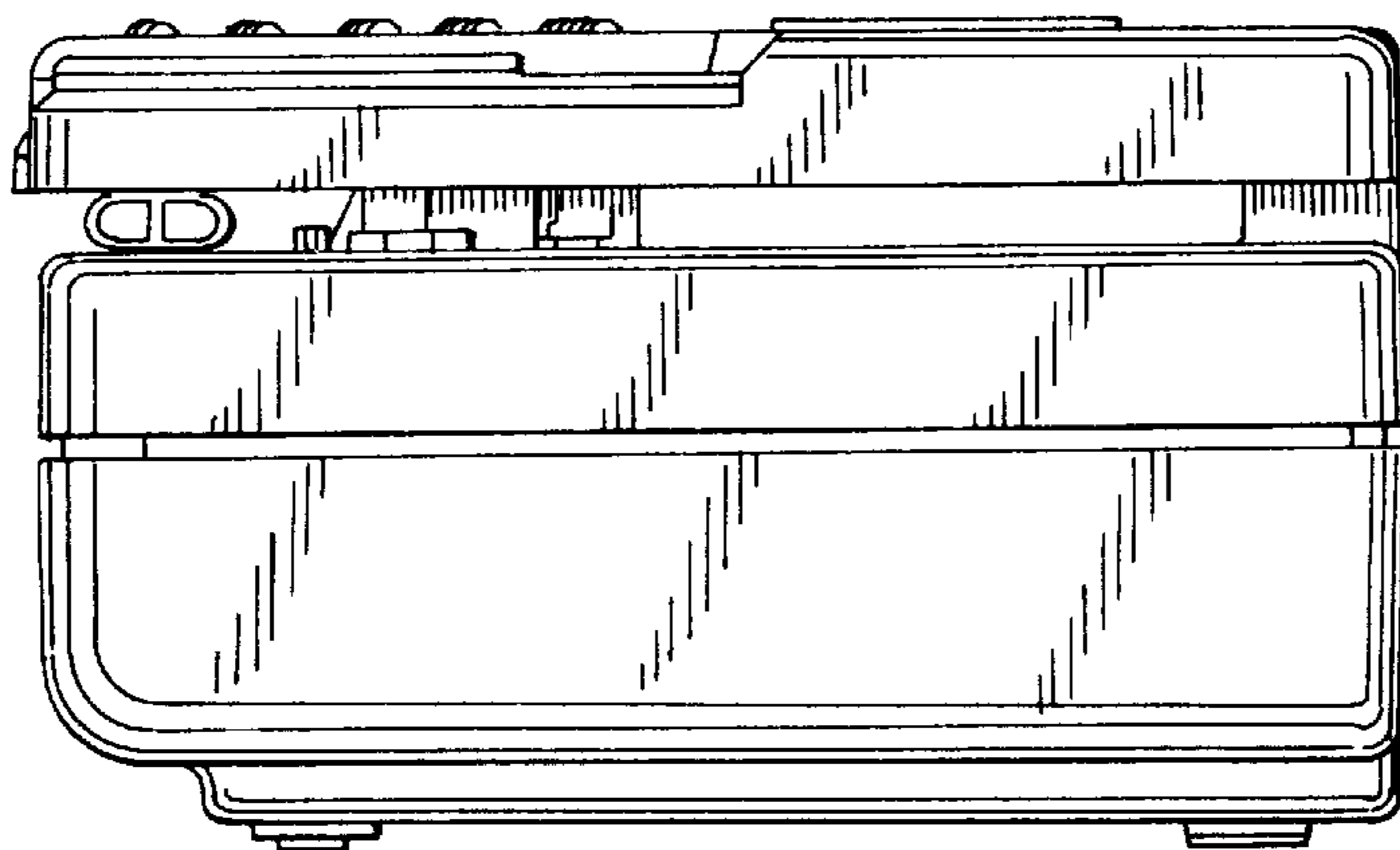


FIG 4

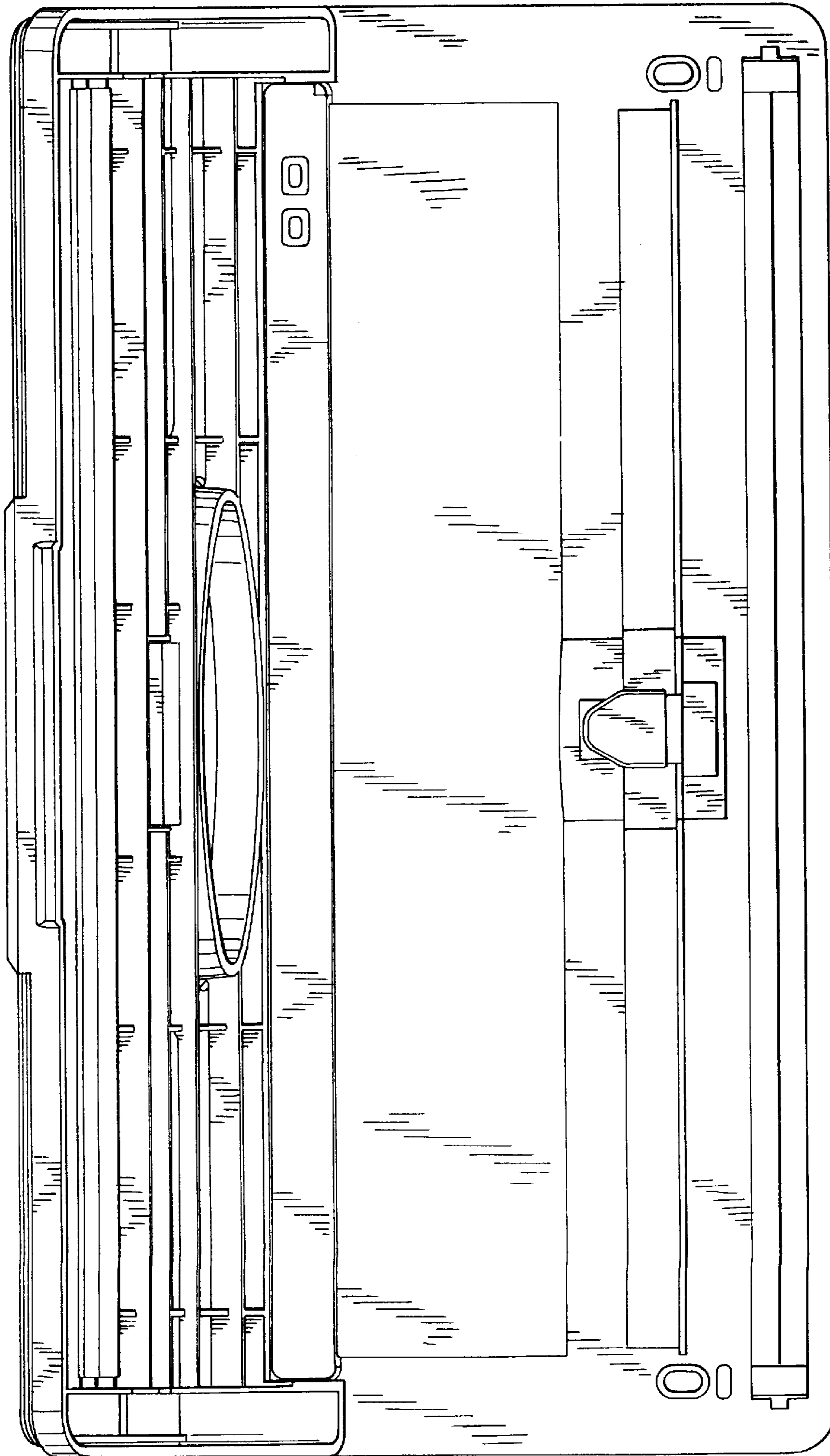


FIG 5

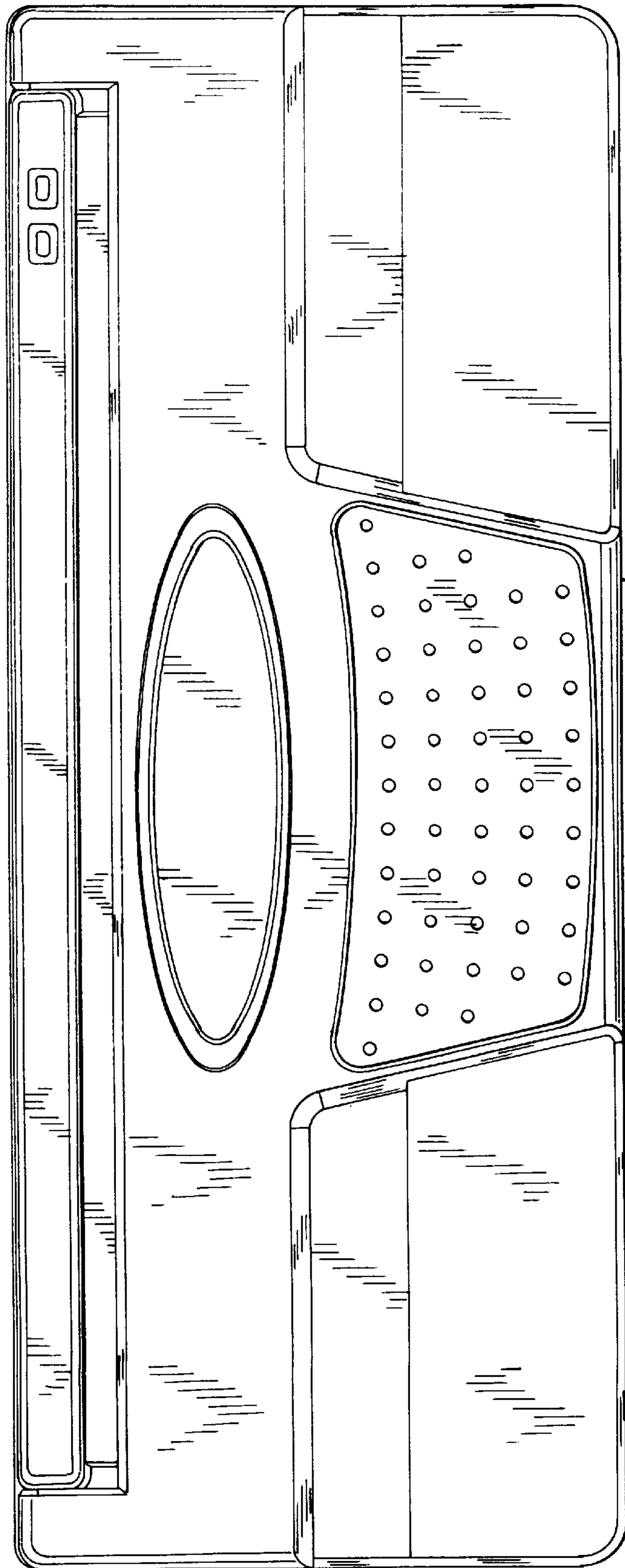


FIG 6

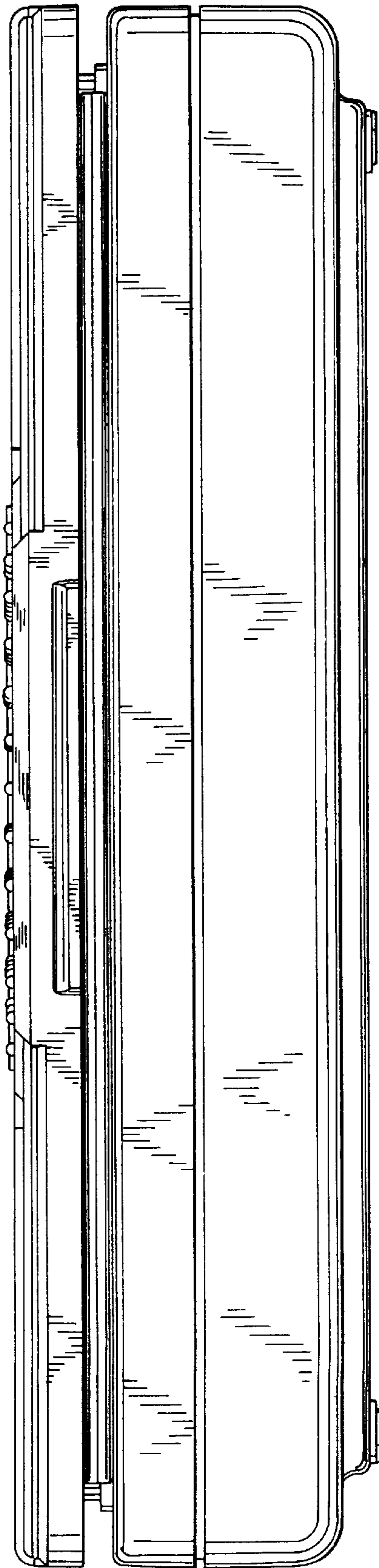


FIG 7

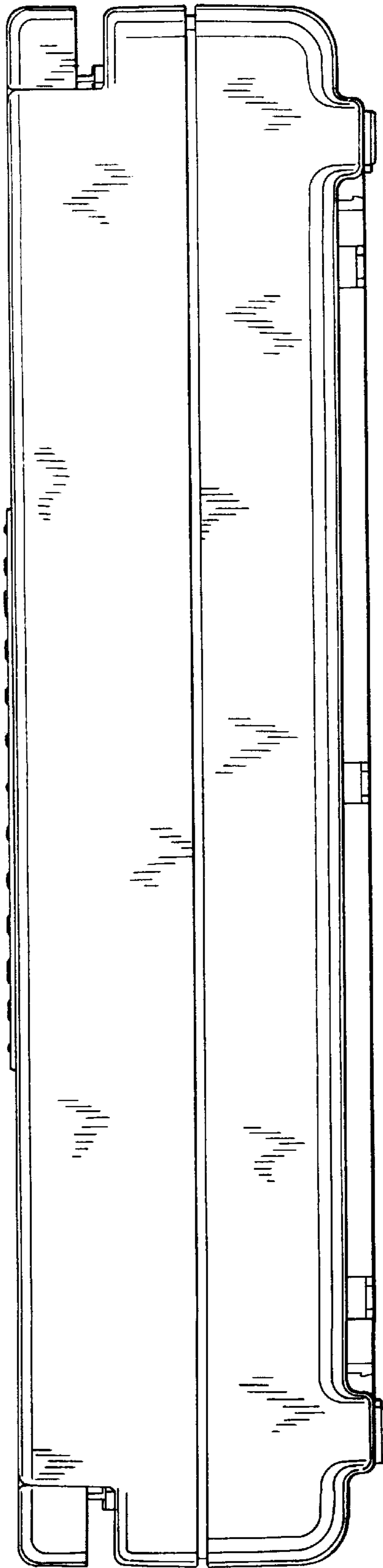


FIG 8

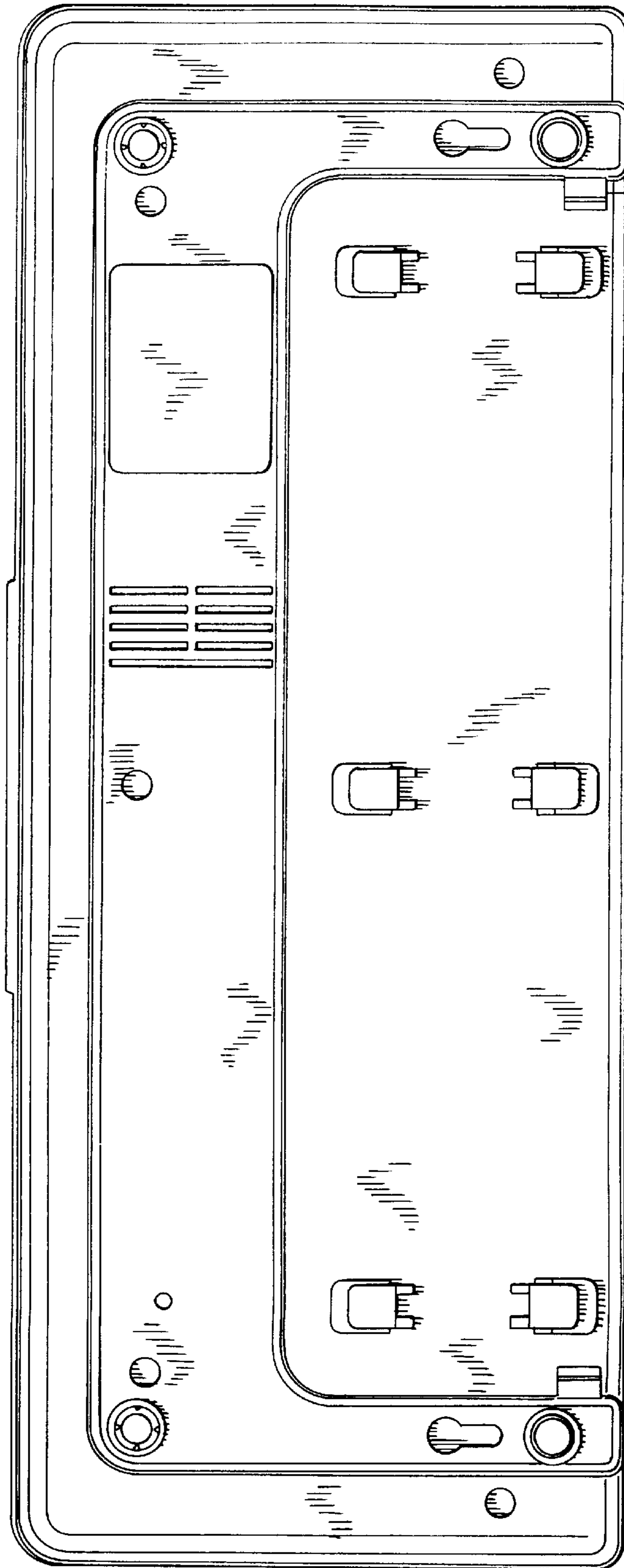


FIG 9