



US00D436968S

(12) **United States Design Patent**
Cook

(10) **Patent No.:** **US D436,968 S**

(45) **Date of Patent:** **** Jan. 30, 2001**

- (54) **PUMP**
- (75) **Inventor:** **James E. Cook**, Anoka, MN (US)
- (73) **Assignee:** **Pumptec Inc.**, Anoka, MN (US)
- (**) **Term:** **14 Years**
- (21) **Appl. No.:** **29/124,343**
- (22) **Filed:** **Jun. 2, 2000**
- (51) **LOC (7) Cl.** **15-02**
- (52) **U.S. Cl.** **D15/7**
- (58) **Field of Search** D15/7-9; 222/129.1;
417/415, 360, 362, 312-314, 379, 423.15,
534, 532; 137/804, 271, 343; 73/168

- 4,978,284 * 12/1990 Cook et al. 417/534
- 5,173,039 * 12/1992 Cook et al. 417/534

* cited by examiner

Primary Examiner—Ralf Seifert
(74) *Attorney, Agent, or Firm*—Roger W. Jensen

(57) **CLAIM**

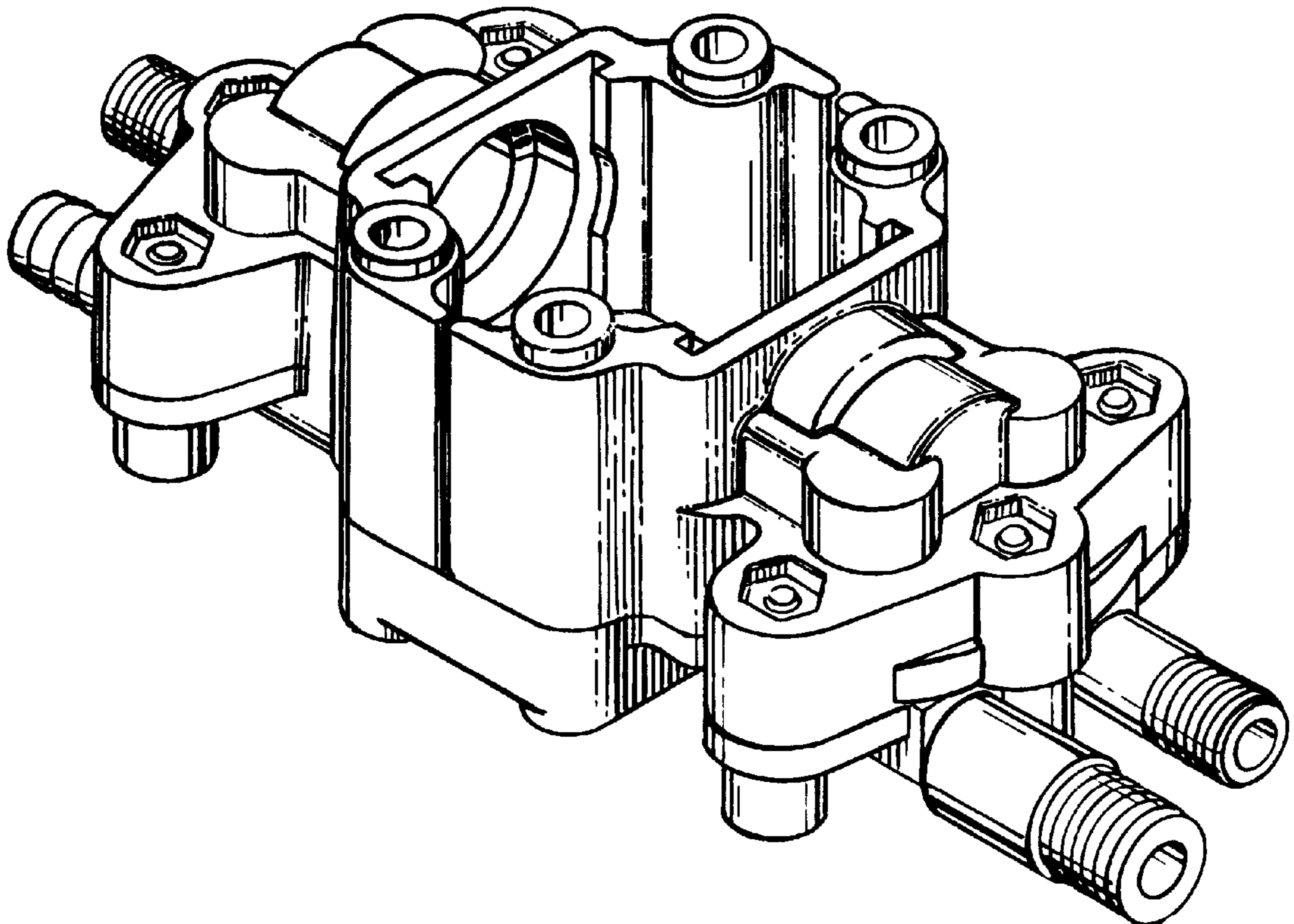
The ornamental design for a pump, as shown.

DESCRIPTION

FIG. 1 is a bottom, left side view of a pump showing my new design;
 FIG. 2 is a bottom view thereof;
 FIG. 3 is a left side view thereof;
 FIG. 4 is a top view thereof;
 FIG. 5 is a right side view thereof;
 FIG. 6 is an end view as viewed along section lines 6—6 of FIG. 3; and,
 FIG. 7 is an end view as viewed along section lines 7—7 of FIG. 3.

- (56) **References Cited**
- U.S. PATENT DOCUMENTS**
- D. 352,721 * 11/1994 Cook et al. D15/7
- 3,233,554 * 2/1966 Huber et al. 417/262
- 3,545,897 * 12/1970 Russell 417/360

1 Claim, 3 Drawing Sheets



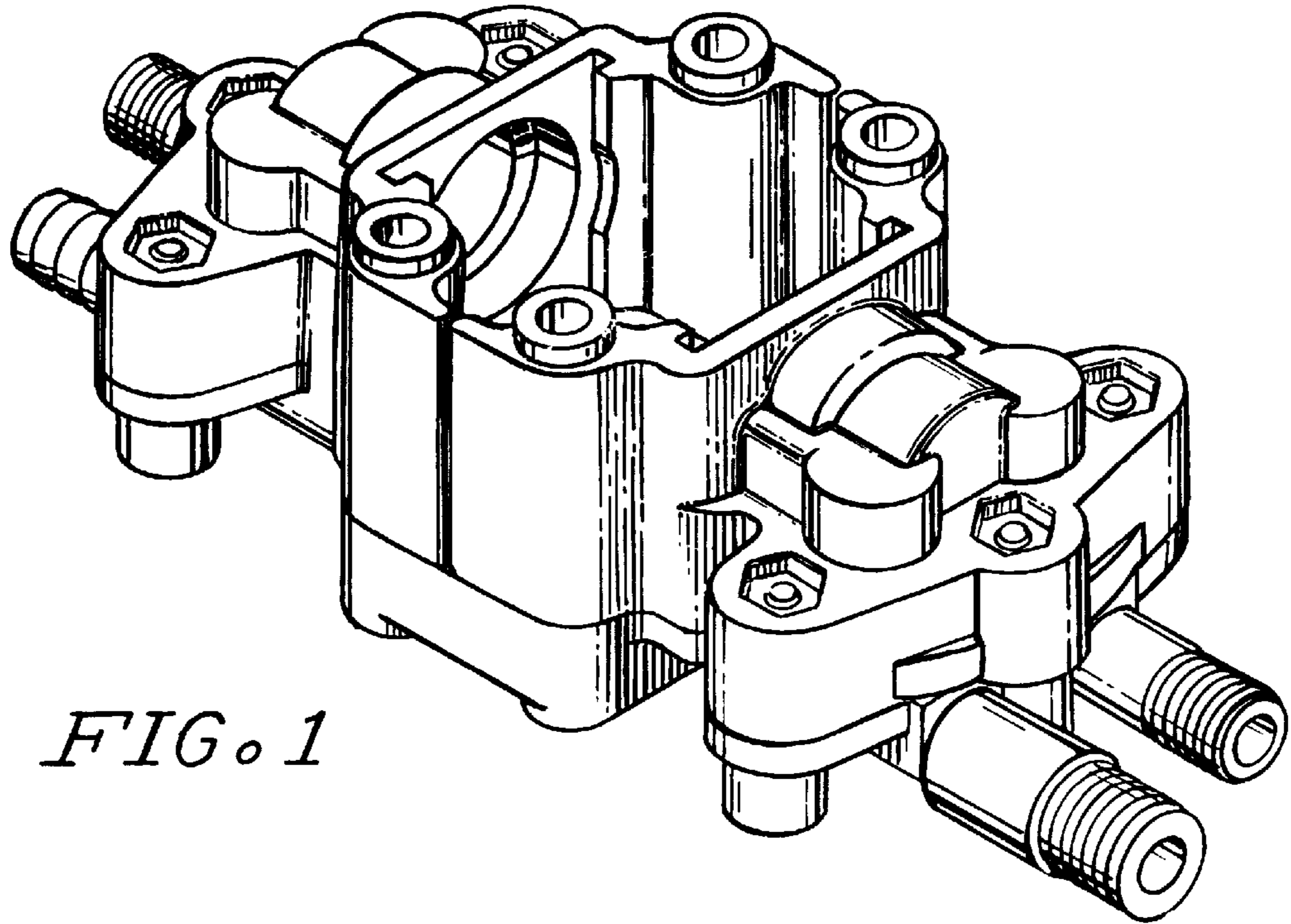


FIG. 1

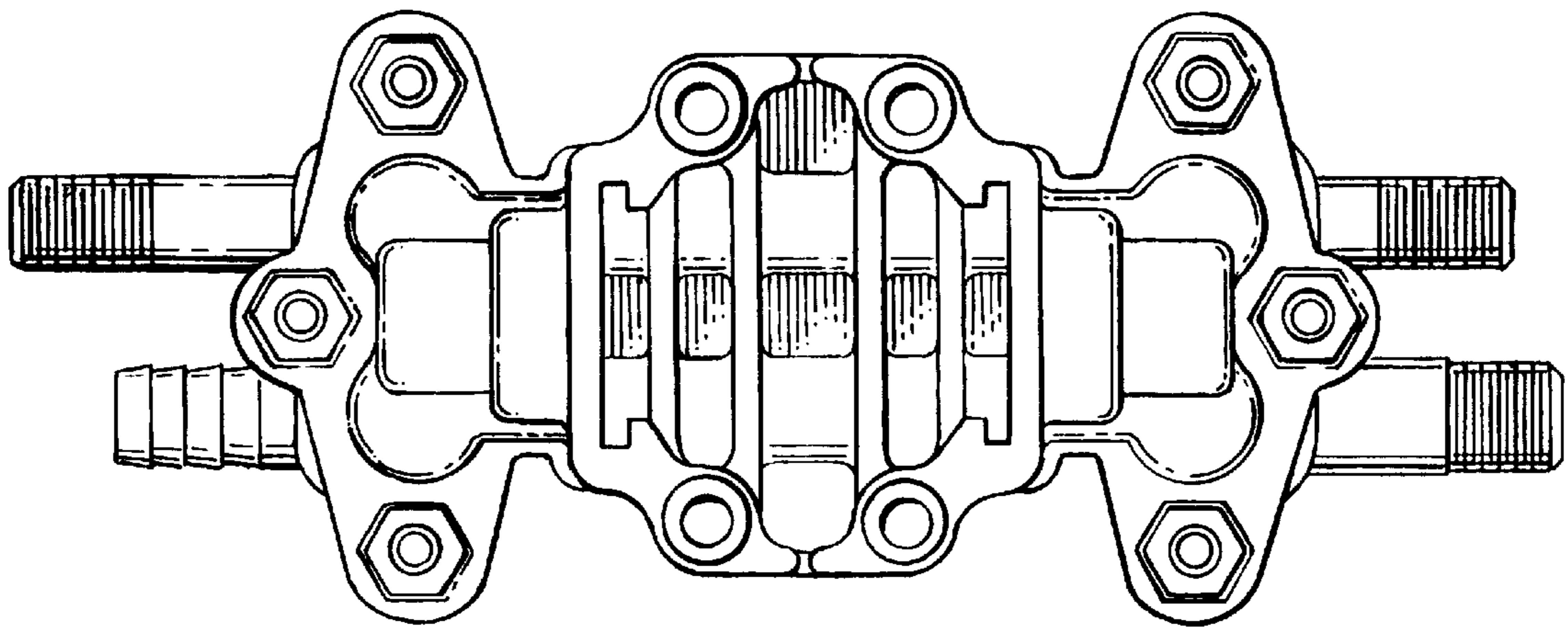


FIG. 2

FIG. 3

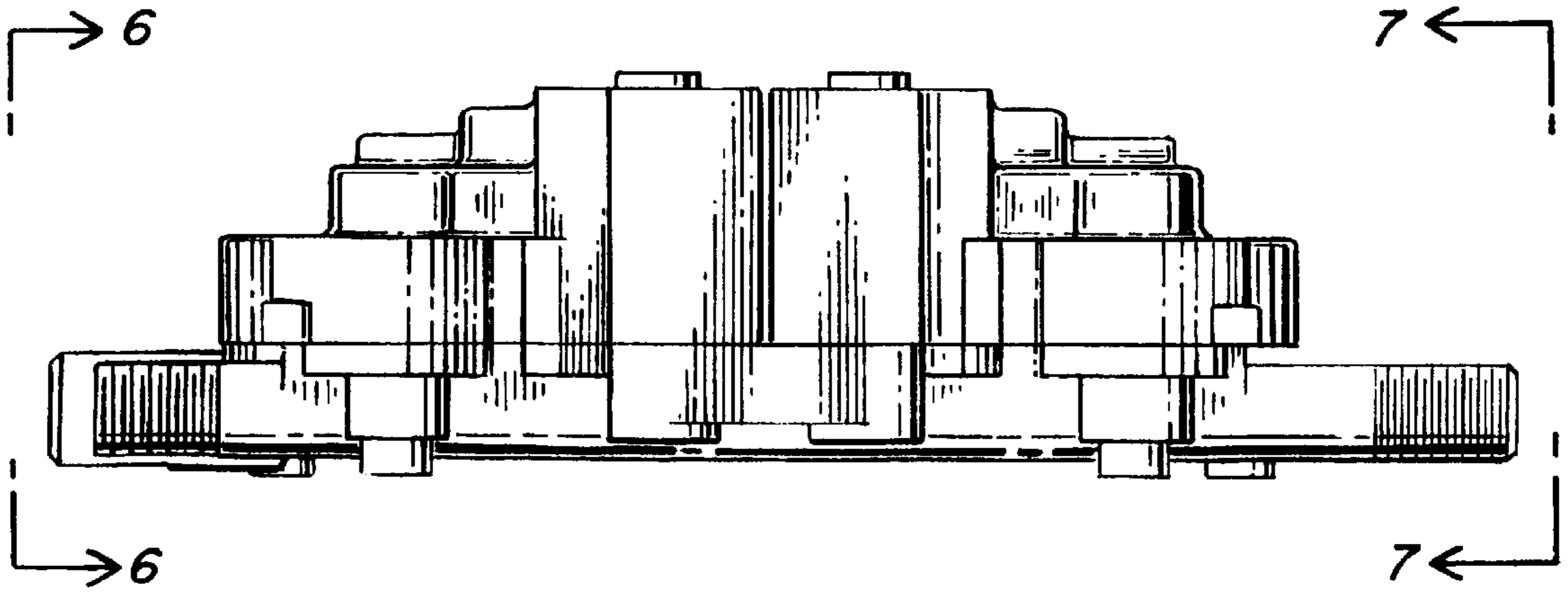


FIG. 4

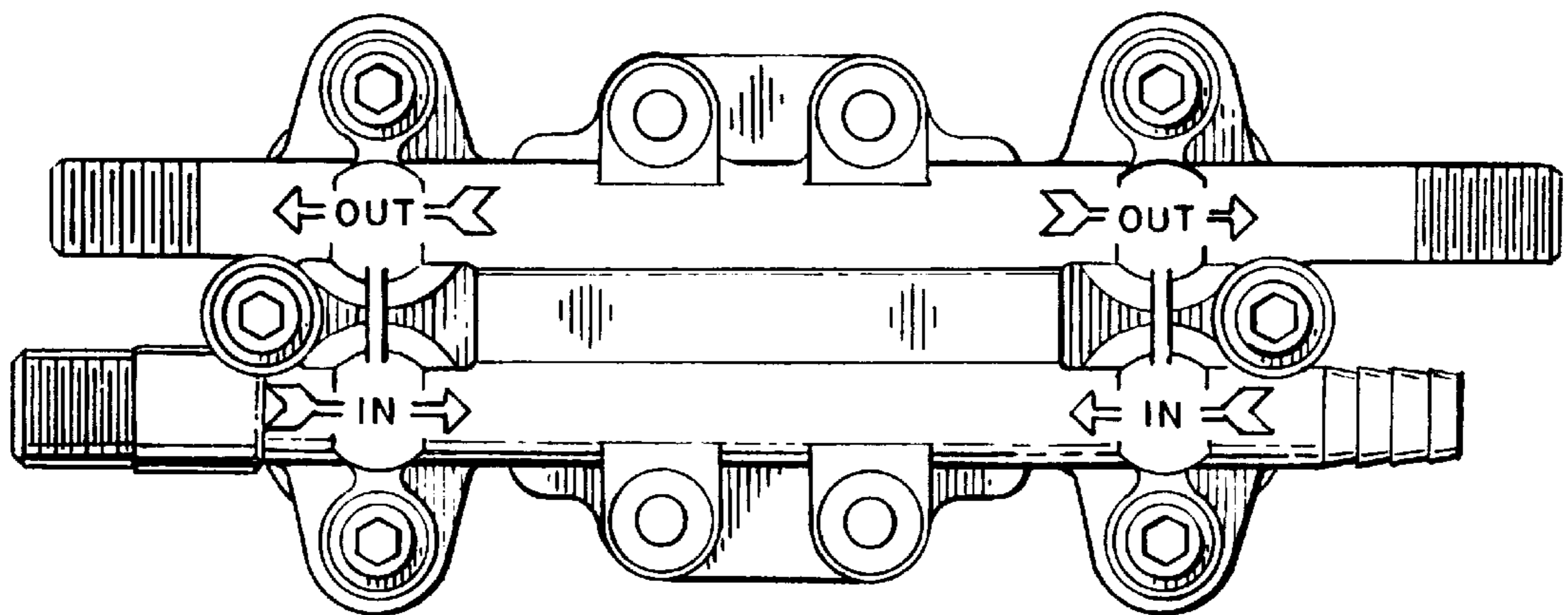


FIG. 5

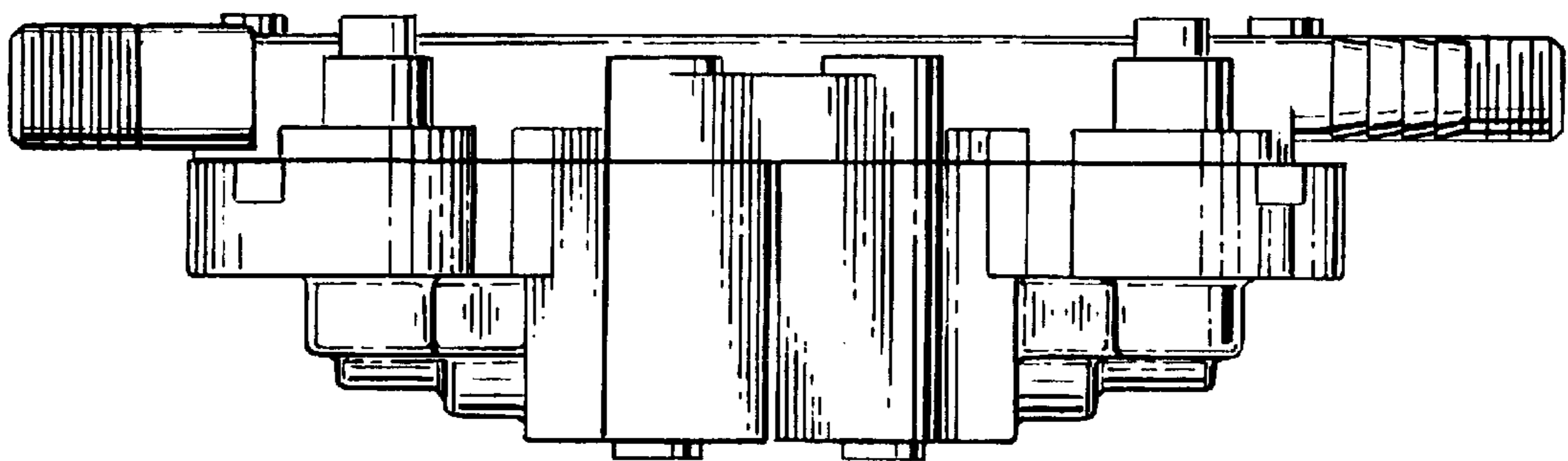


FIG. 6

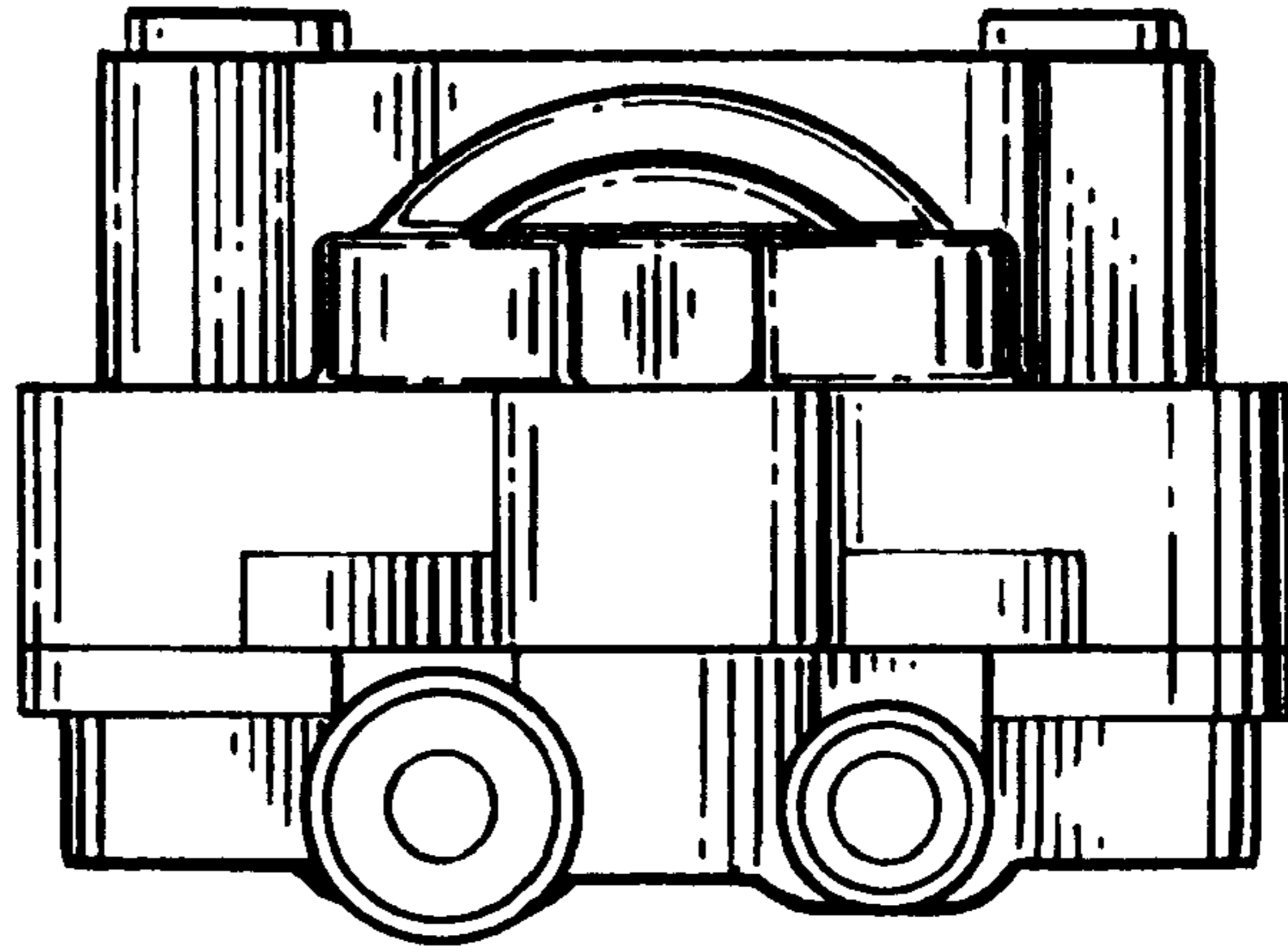


FIG. 7

