



US00D436967S

(12) **United States Design Patent**
Yasui et al.

(10) **Patent No.:** **US D436,967 S**

(45) **Date of Patent:** **** Jan. 30, 2001**

(54) **COMPUTER GENERATED IMAGE ON
DISPLAY PANEL OR SCREEN**

D. 424,036 * 5/2000 Arora et al. .

D. 424,541 * 5/2000 Mugura .

D. 427,574 * 7/2000 Sawada et al. .

(75) Inventors: **Shigeya Yasui; Takashi Fujita;
Hiroshi Yamauchi**, all of Tokyo (JP)

* cited by examiner

Primary Examiner—M. H. Tung

(73) Assignee: **Sony Corporation**, Tokyo (JP)

(74) *Attorney, Agent, or Firm*—Rader, Fishman & Grauer

(**) Term: **14 Years**

(57) **CLAIM**

(21) Appl. No.: **29/108,536**

The ornamental design for a computer generated image on a display panel or screen, as shown and described.

(22) Filed: **Jul. 30, 1999**

DESCRIPTION

(51) **LOC (7) Cl.** **14-02**

(52) **U.S. Cl.** **D14/486**

(58) **Field of Search** D14/485-95; D18/24-33;
D21/324-33; D19/6; D20/11; 345/339-58,
326

FIG. 1 is a first embodiment of a computer generated image on a display panel or screen showing our new design.

FIG. 2 is a second embodiment of a computer generated image on a display panel or screen showing our new design.

FIG. 3 is a third embodiment of a computer generated image on a display panel or screen showing our new design; and,

FIG. 4 is a fourth embodiment of a computer generated image on a display panel or screen showing our new design.

The broken line drawing of the display panel or screen in all views is for illustrative purposes only and forms no part of the claimed design.

(56) **References Cited**

U.S. PATENT DOCUMENTS

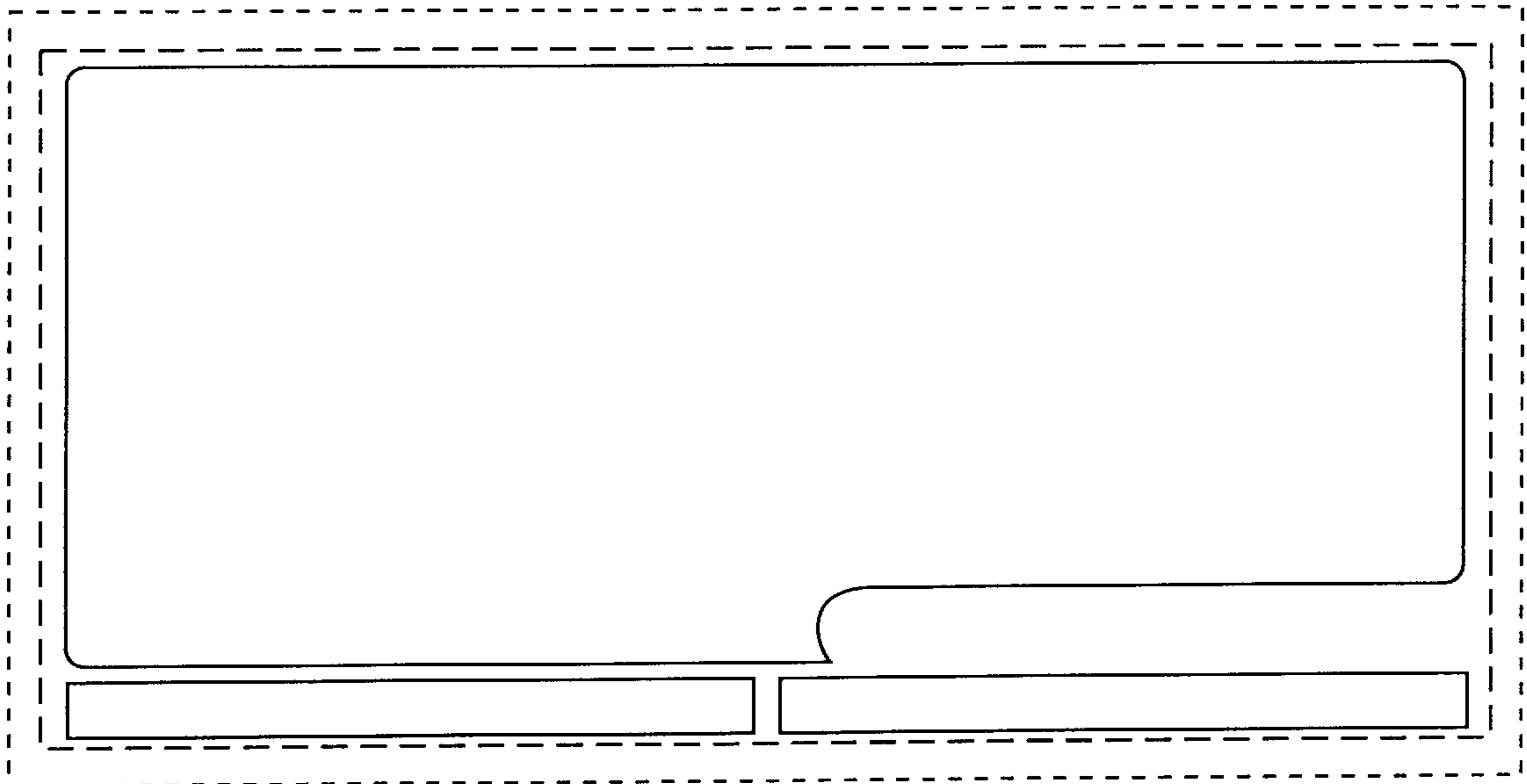
D. 403,313 * 12/1998 Peppel .

D. 418,120 * 12/1999 Okura et al. .

D. 418,826 * 1/2000 Pavely et al. .

D. 418,827 * 1/2000 Hartford et al. .

1 Claim, 2 Drawing Sheets



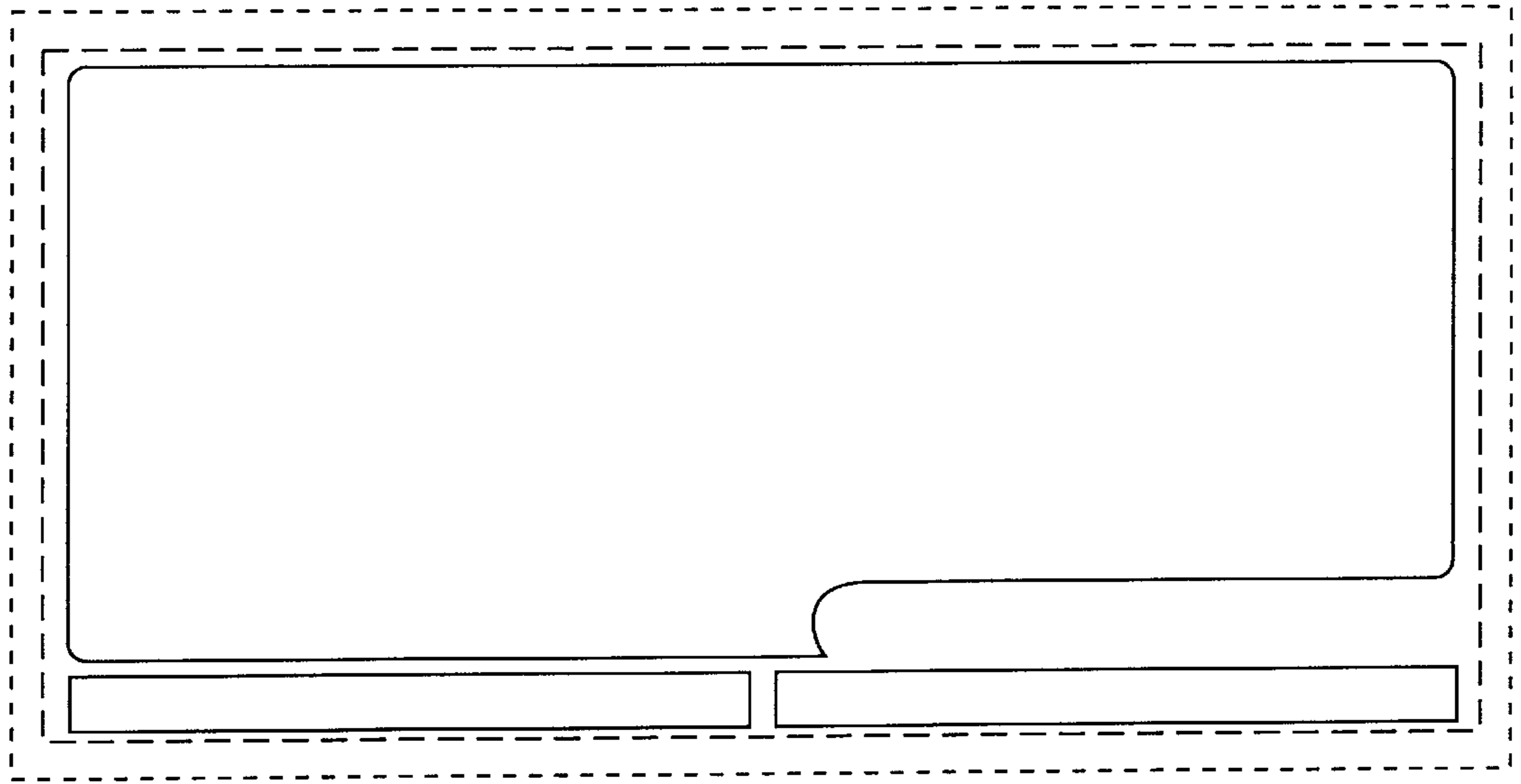


FIG. 1

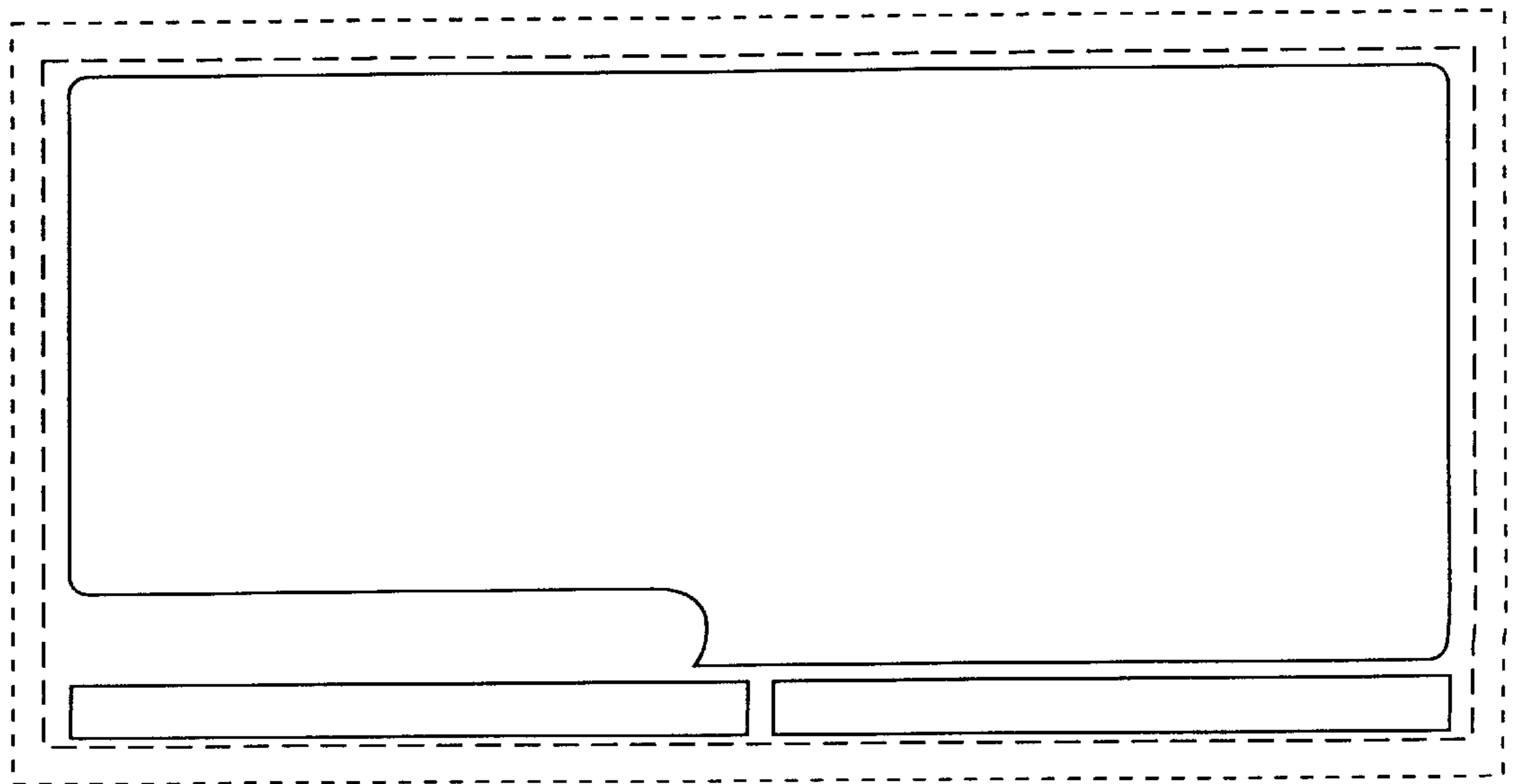


FIG. 2

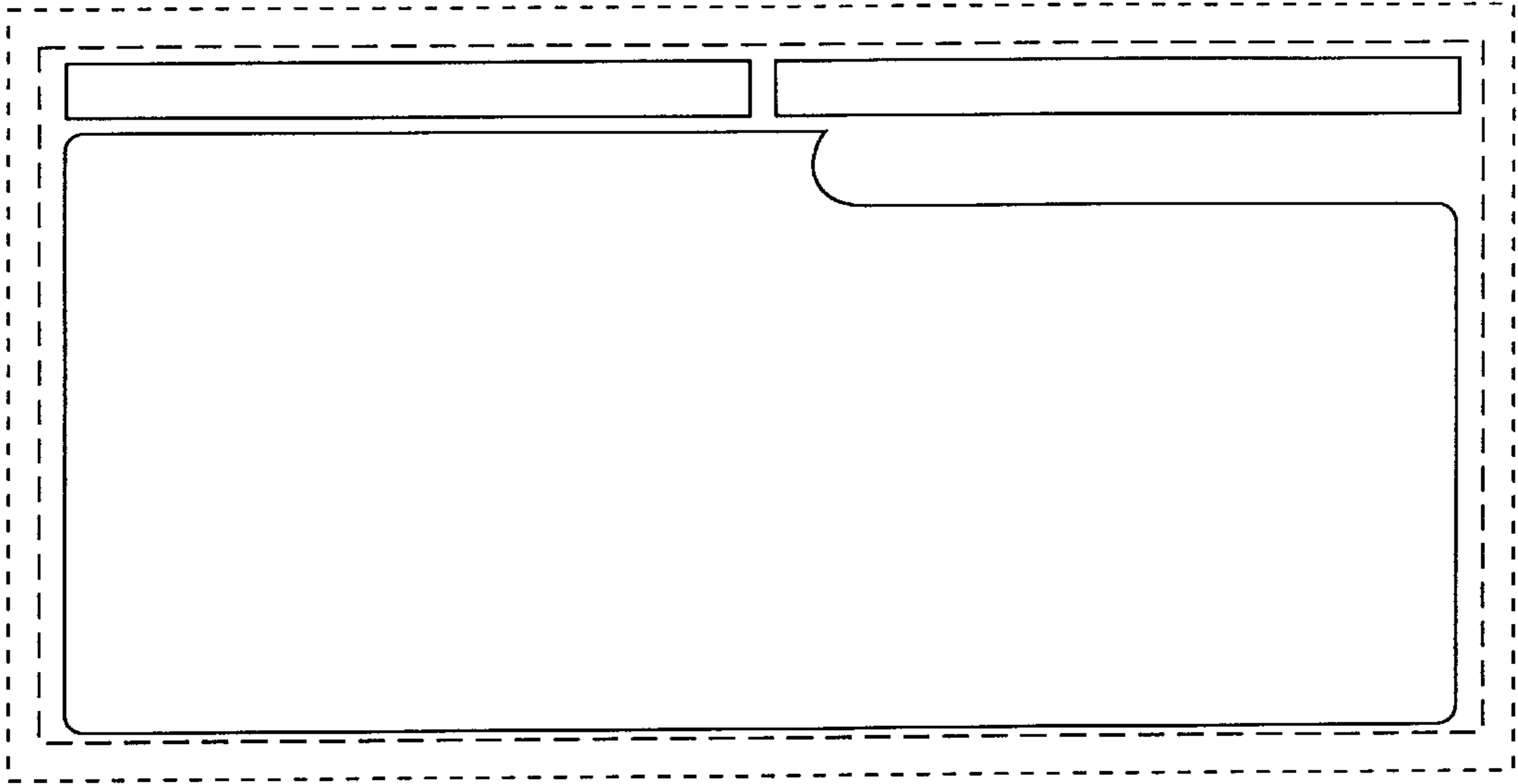


FIG. 3

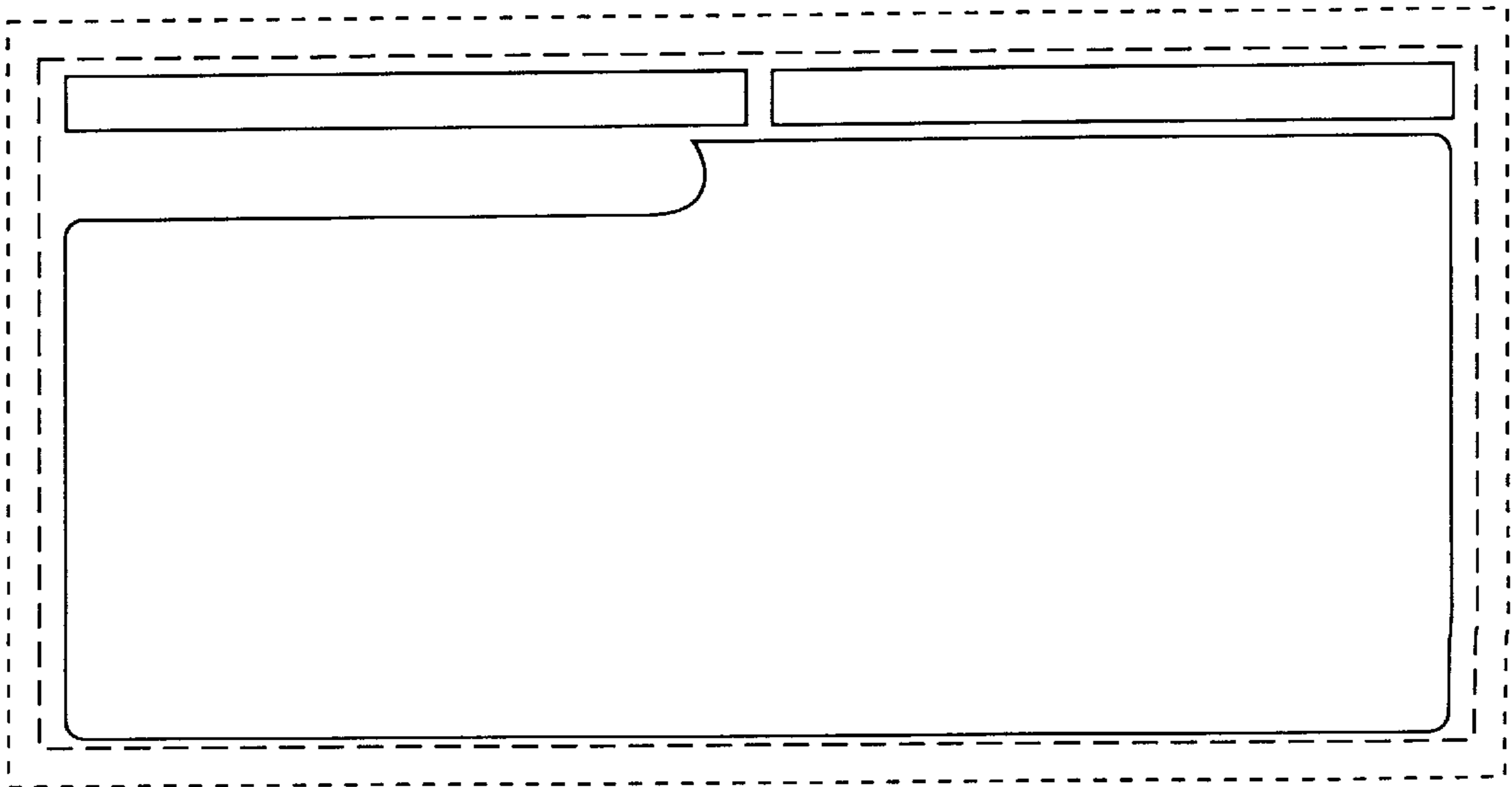


FIG. 4