



US00D436965S

(12) **United States Design Patent**
Lin

(10) **Patent No.:** **US D436,965 S**

(45) **Date of Patent:** **** Jan. 30, 2001**

(54) **COMPUTER FRONT BEZEL**

D. 390,841 * 2/1998 Lin D14/445

D. 392,281 * 3/1998 Poole et al. D14/441

(75) Inventor: **Cheng Shan Lin**, Taipei (TW)

* cited by examiner

(73) Assignee: **Hon Hai Precision Ind. Co., Ltd.**,
Taipei Hsein (TW)

Primary Examiner—Freda Nunn

(74) *Attorney, Agent, or Firm*—Wei Te Chung

(**) Term: **14 Years**

(57) **CLAIM**

(21) Appl. No.: **29/118,871**

The ornamental design for a computer front bezel, as shown and described.

(22) Filed: **Feb. 17, 2000**

DESCRIPTION

(30) **Foreign Application Priority Data**

Feb. 2, 2000 (TW) 089300748

FIG. 1 is a perspective view of a computer front bezel showing my new design;

FIG. 2 is a front elevational view thereof;

FIG. 3 is a rear elevational view thereof;

FIG. 4 is a left side elevational view thereof;

FIG. 5 is a right side elevational view thereof;

FIG. 6 is a top plan view thereof;

FIG. 7 is a bottom plan view thereof; and,

FIG. 8 is a reduced perspective view thereof being shown attached to a computer which is shown in broken lines for illustrative purposes only and forms no part of the claimed design.

(51) **LOC (7) Cl.** **14-02**

(52) **U.S. Cl.** **D14/441**

(58) **Field of Search** D14/441-445;
D13/162, 184, 199, 164, 177; D10/103;
312/223.2; 361/724-728

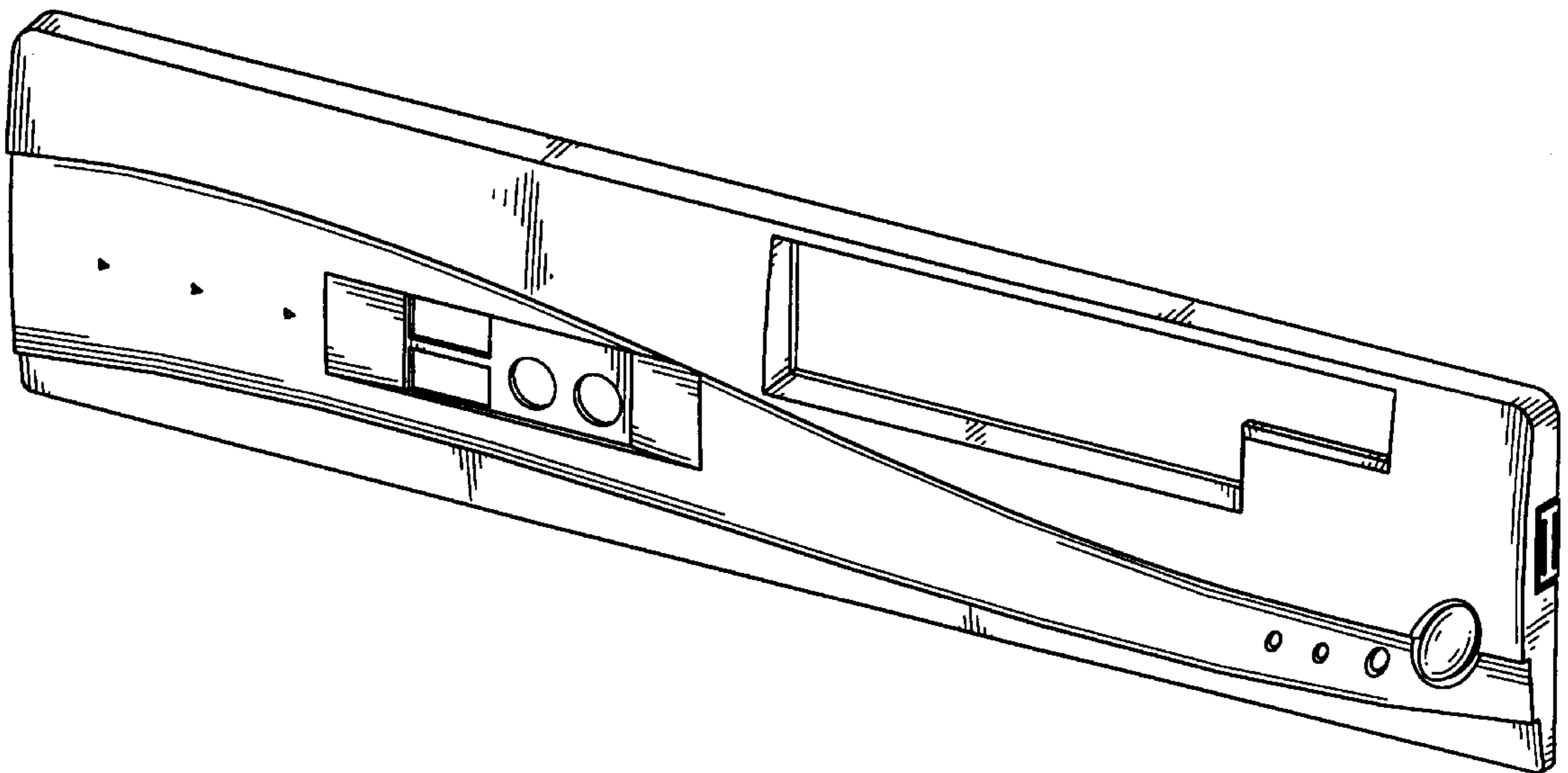
(56) **References Cited**

U.S. PATENT DOCUMENTS

D. 359,279 * 6/1995 Fujimura et al. D14/442

D. 363,477 * 10/1995 Tinsley, Jr. et al. D14/445

1 Claim, 6 Drawing Sheets



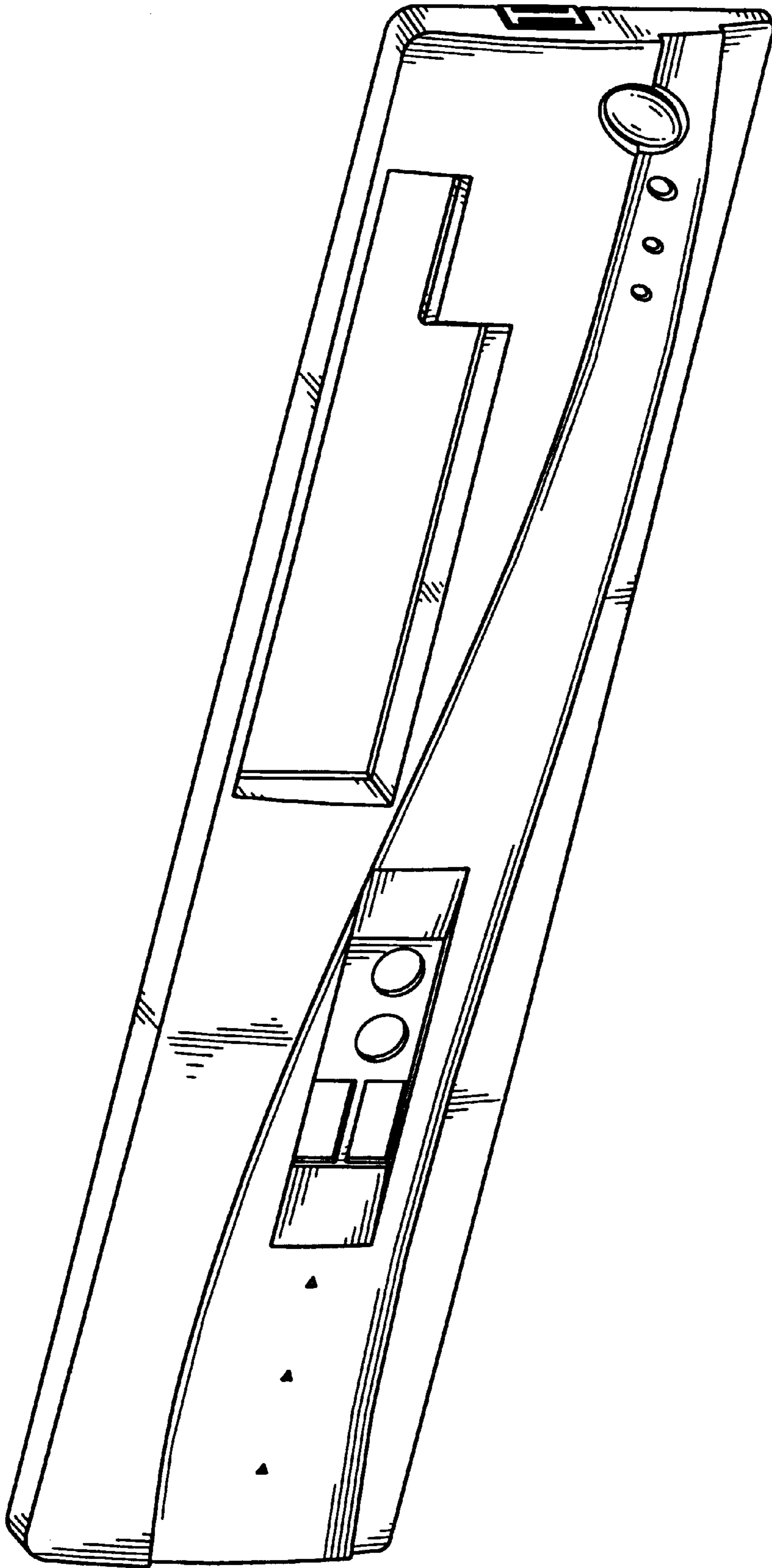


FIG. 1

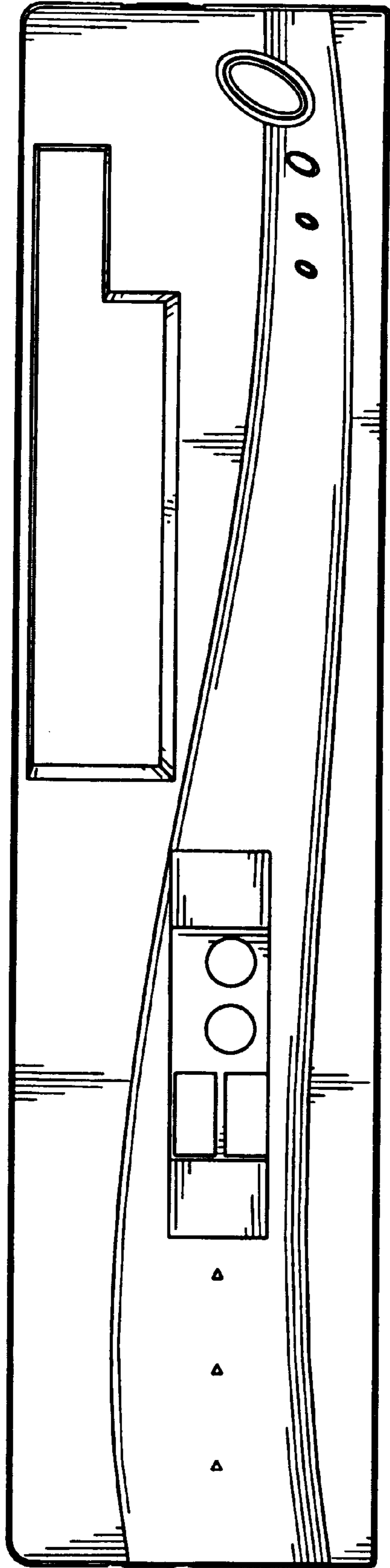


FIG. 2

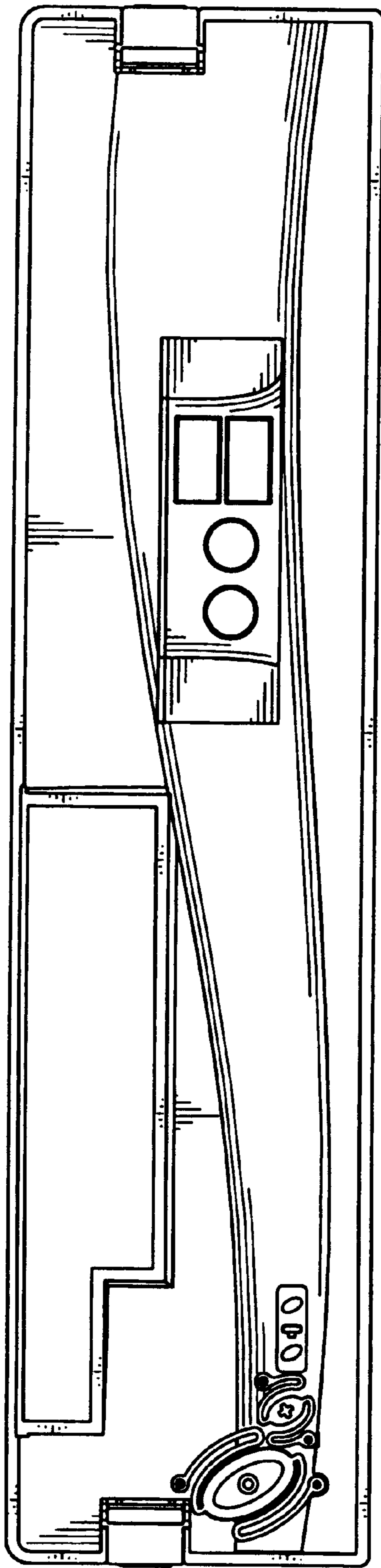


FIG. 3

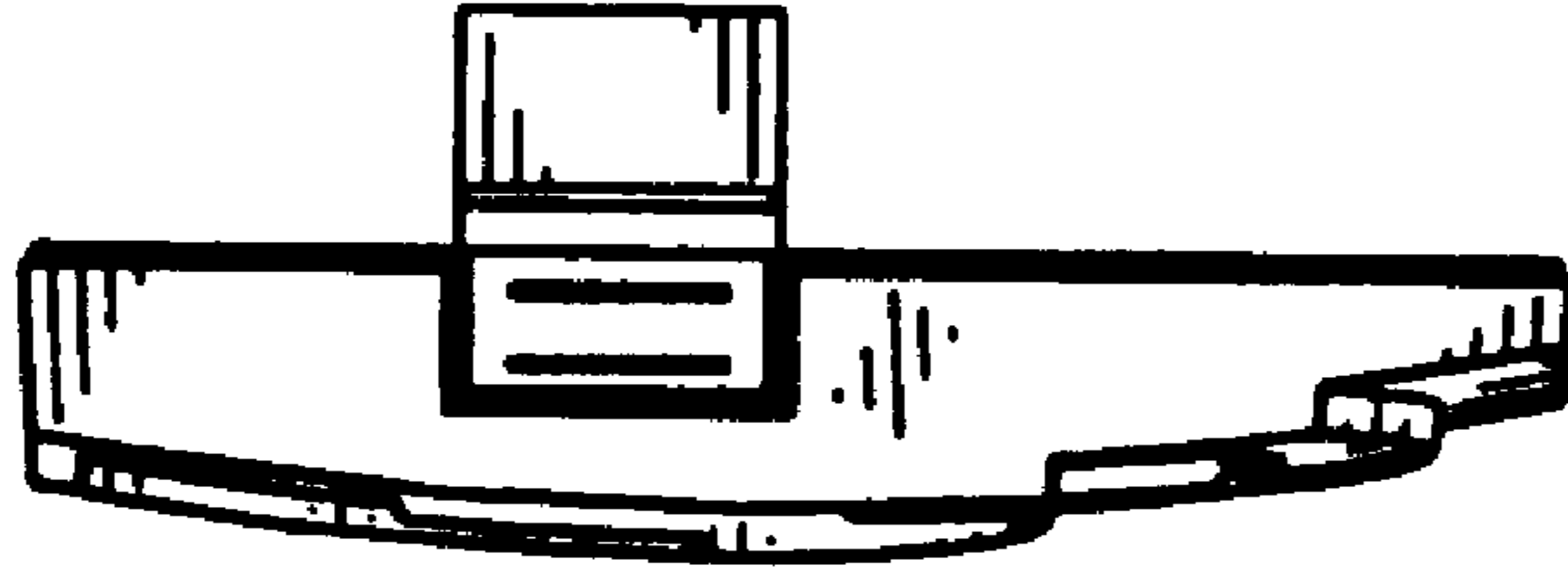


FIG. 5

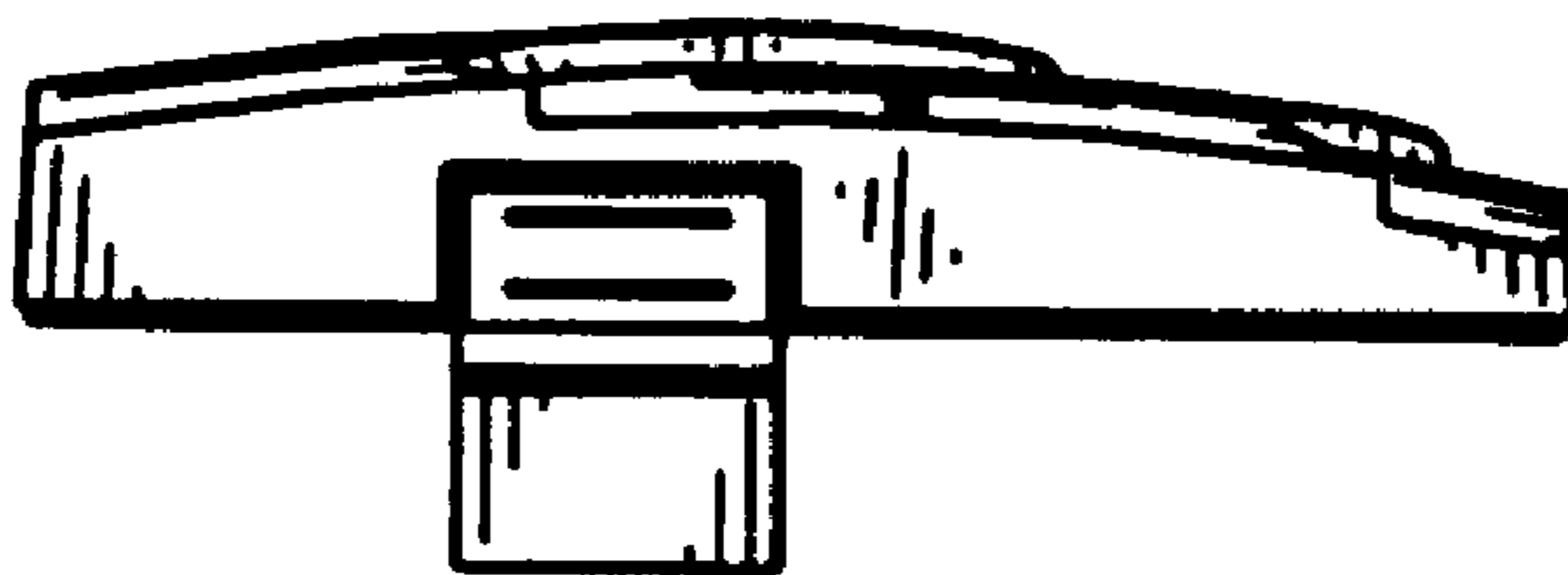


FIG. 4

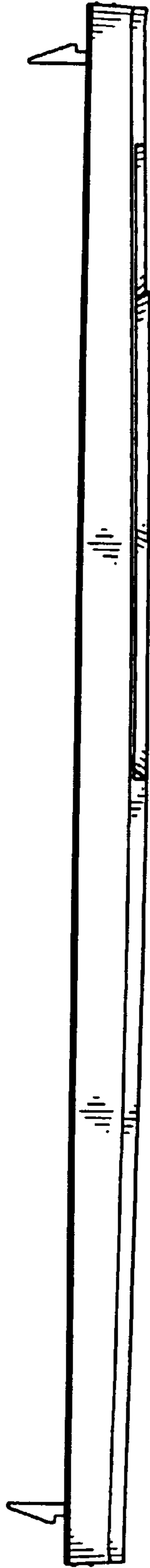


FIG. 6



FIG. 7

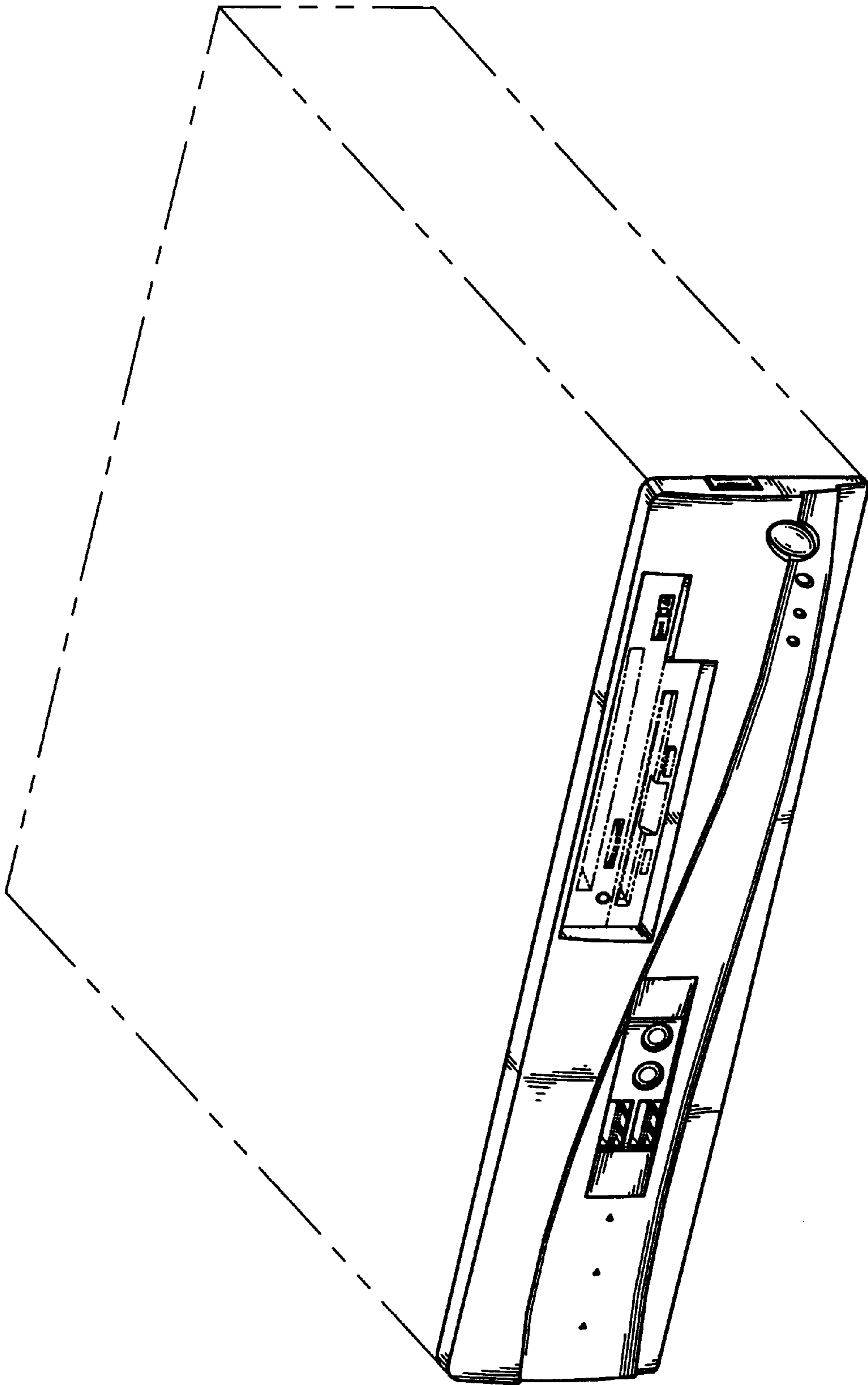


FIG. 8