



US00D436960S

(12) **United States Design Patent**  
**Budd et al.**

(10) **Patent No.:** **US D436,960 S**  
(45) **Date of Patent:** **\*\* Jan. 30, 2001**

(54) **HEAD MOUNTED DISPLAY**

(75) Inventors: **Russell A. Budd**, North Salem; **Derek B. Dove**, Mount Kisco, both of NY (US); **Shinji Nakai**; **Tetsune Toyokawa**, both of Yokohama (JP)

(73) Assignee: **International Business Machines Corporation**, Armonk, NY (US)

(\*\*) Term: **14 Years**

(21) Appl. No.: **29/110,706**

(22) Filed: **Sep. 10, 1999**

(51) **LOC (7) Cl.** ..... **14-02**

(52) **U.S. Cl.** ..... **D14/372**

(58) **Field of Search** ..... D14/372; 348/158;  
345/8, 7; 359/630, 631; 351/158

(56) **References Cited**

**U.S. PATENT DOCUMENTS**

D. 334,557	*	4/1993	Hunter et al.	.....	D14/372
D. 337,320	*	7/1993	Hunter et al.	.....	D14/372
D. 383,455	*	9/1997	MacInnes et al.	.....	D14/372
D. 402,651	*	12/1998	Depay et al.	.....	D14/372
4,970,589	*	11/1990	Hanson et al.	.....	348/158
5,003,300	*	3/1991	Wells	.....	345/8
5,751,260	*	5/1998	Nappi et al.	.....	345/8
5,757,339	*	5/1998	Williams et al.	.....	345/8

\* cited by examiner

*Primary Examiner*—Freda Nunn

(74) *Attorney, Agent, or Firm*—Ryan, Mason & Lewis, LLP; Yoshihiro Ichii

(57) **CLAIM**

The ornamental design of a head mounted display, as shown and described.

**DESCRIPTION**

FIG. 1 is a top left front perspective view of a head mounted display showing a first embodiment of our new design; FIG. 2 is a top right front perspective view of a head mounted display showing the first embodiment of our new design;

FIG. 3 is a top plan view of a head mounted display showing the first embodiment of our new design;

FIG. 4 is a front elevation view of a head mounted display showing the first embodiment of our new design;

FIG. 5 is a rear elevation view of a head mounted display showing the first embodiment of our new design;

FIG. 6 is a left side elevation view of a head mounted display showing the first embodiment of our new design;

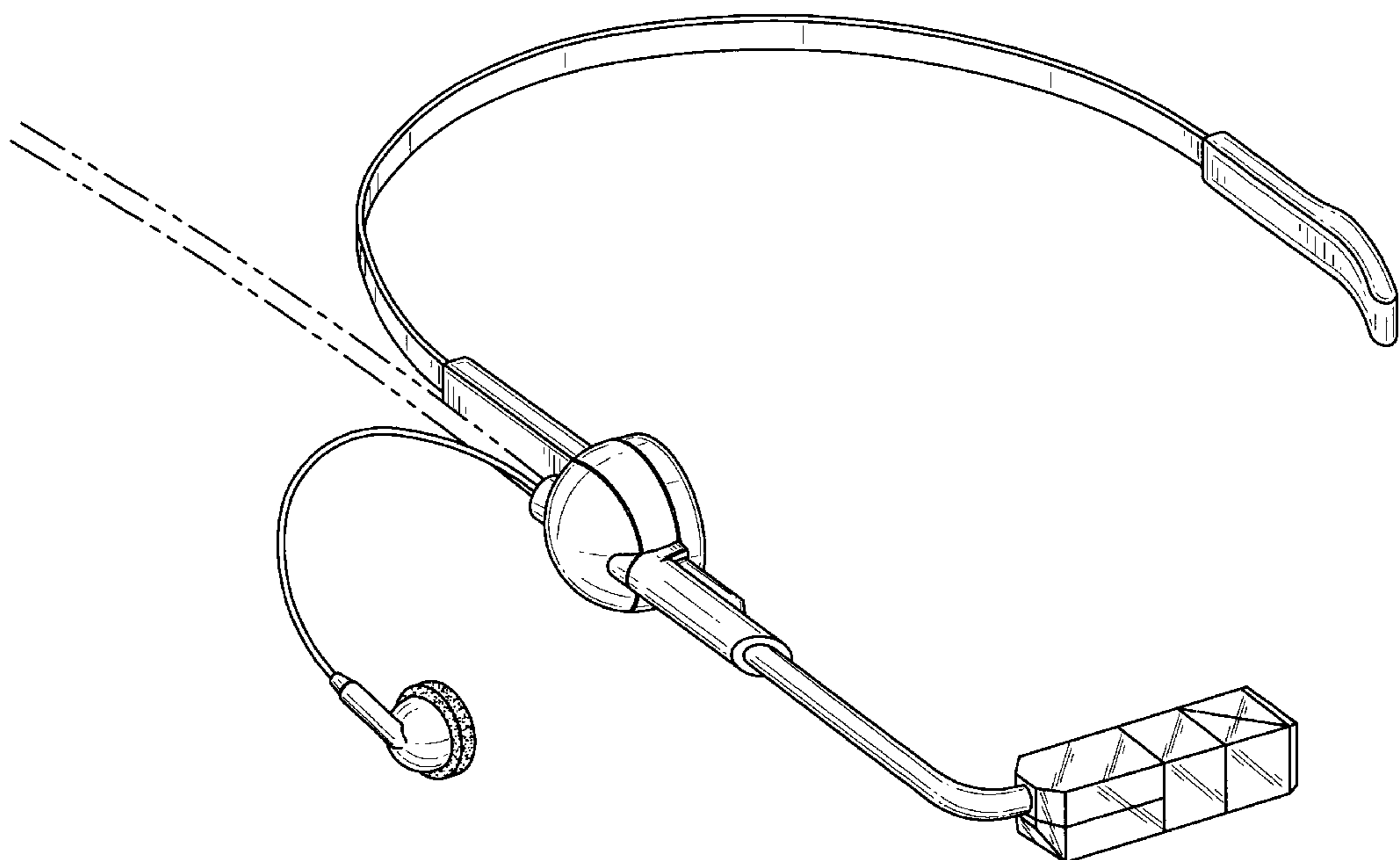
FIG. 7 is a right side elevation view of a head mounted display showing the first embodiment of our new design;

FIG. 8 is a bottom plan view of a head mounted display showing the first embodiment of our new design; and,

FIG. 9 is a top right front perspective view of a head mounted display showing a second embodiment of our new design in which top left front perspective, top plan, front elevation, rear elevation, left side elevation, right side elevation and bottom views are also mirror images of the corresponding views in the first embodiment.

The broken lines are shown in the views for illustrative purposes only and form no part of the claimed design.

**1 Claim, 7 Drawing Sheets**



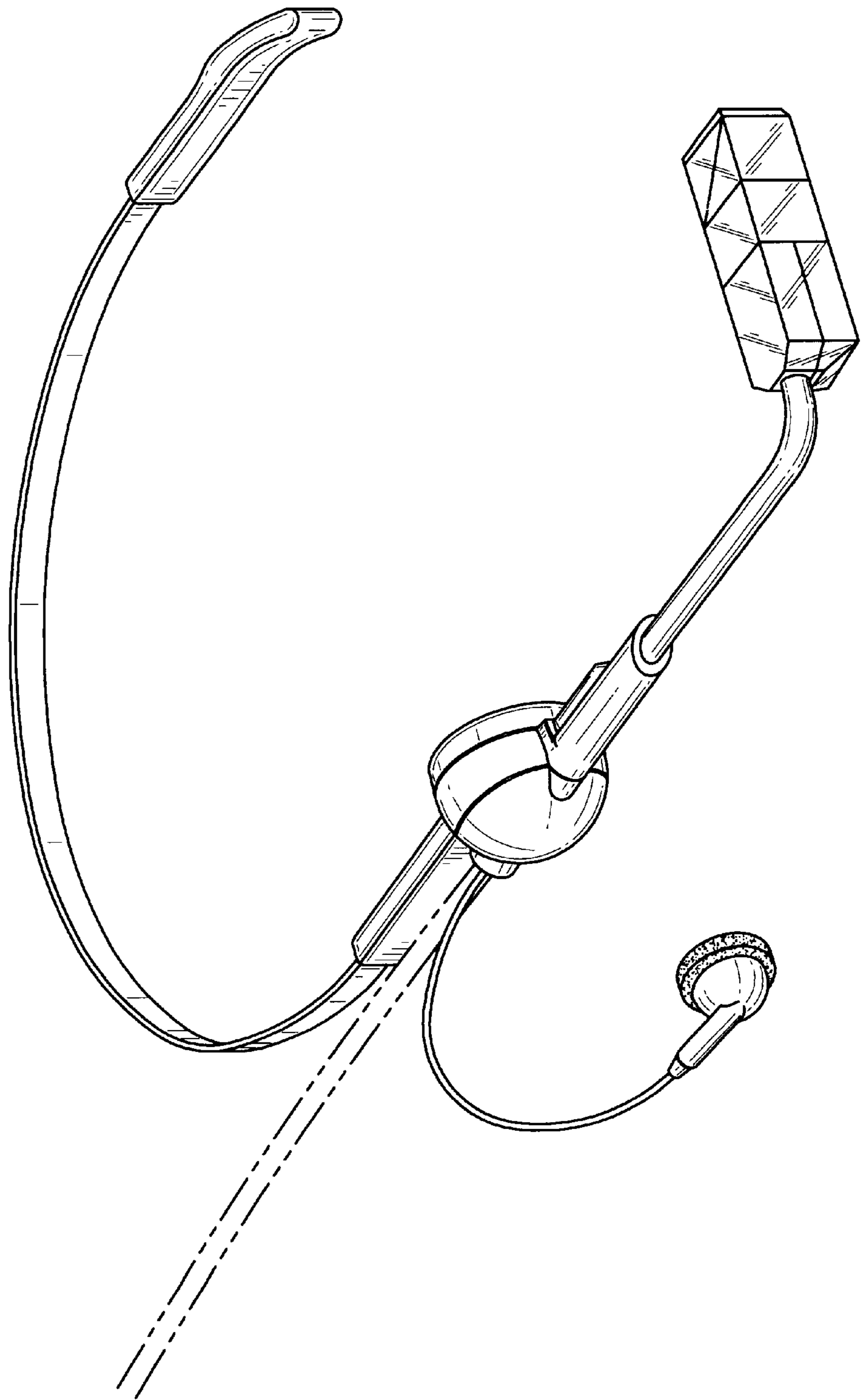


FIG-1

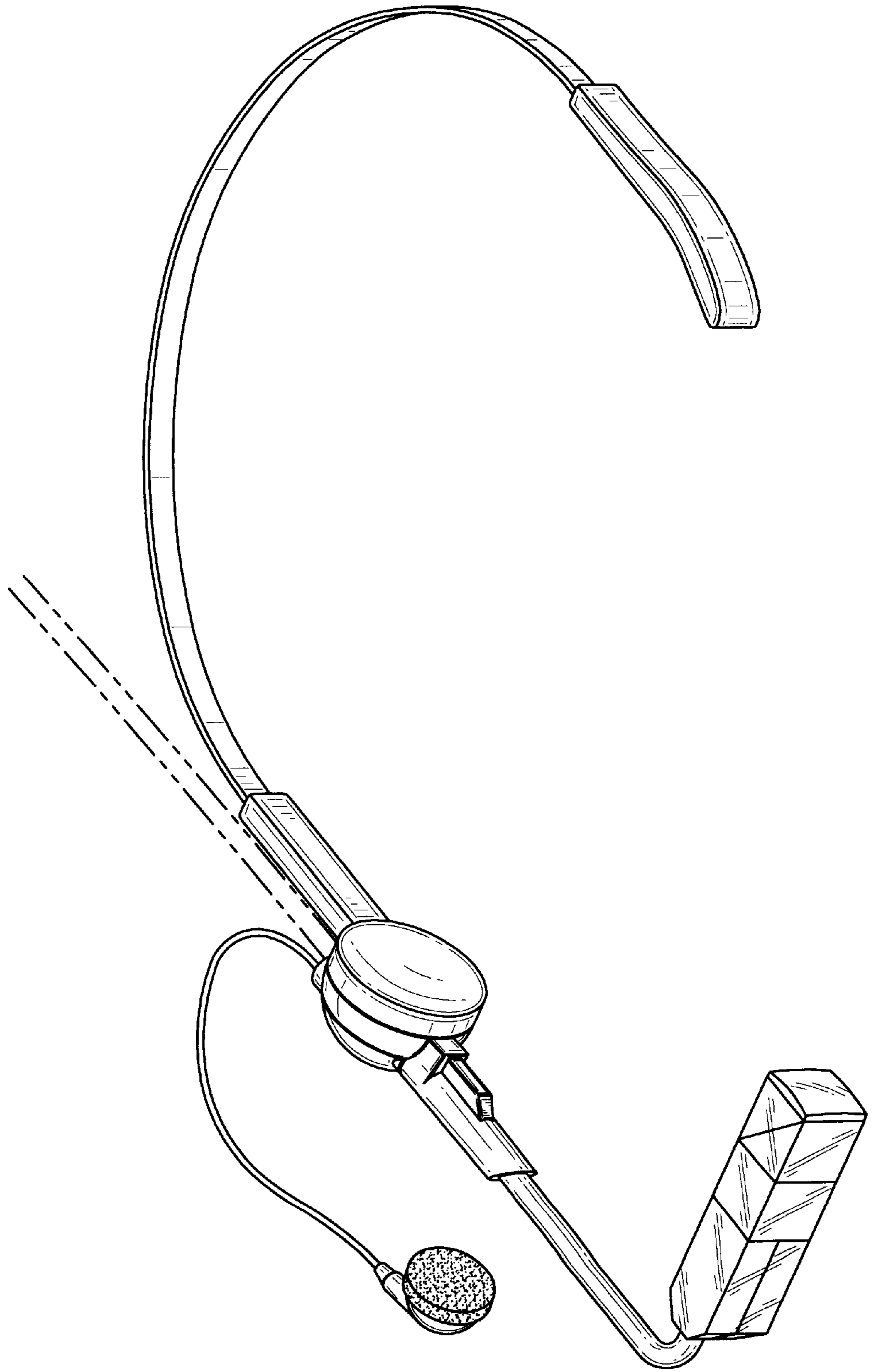


FIG-2

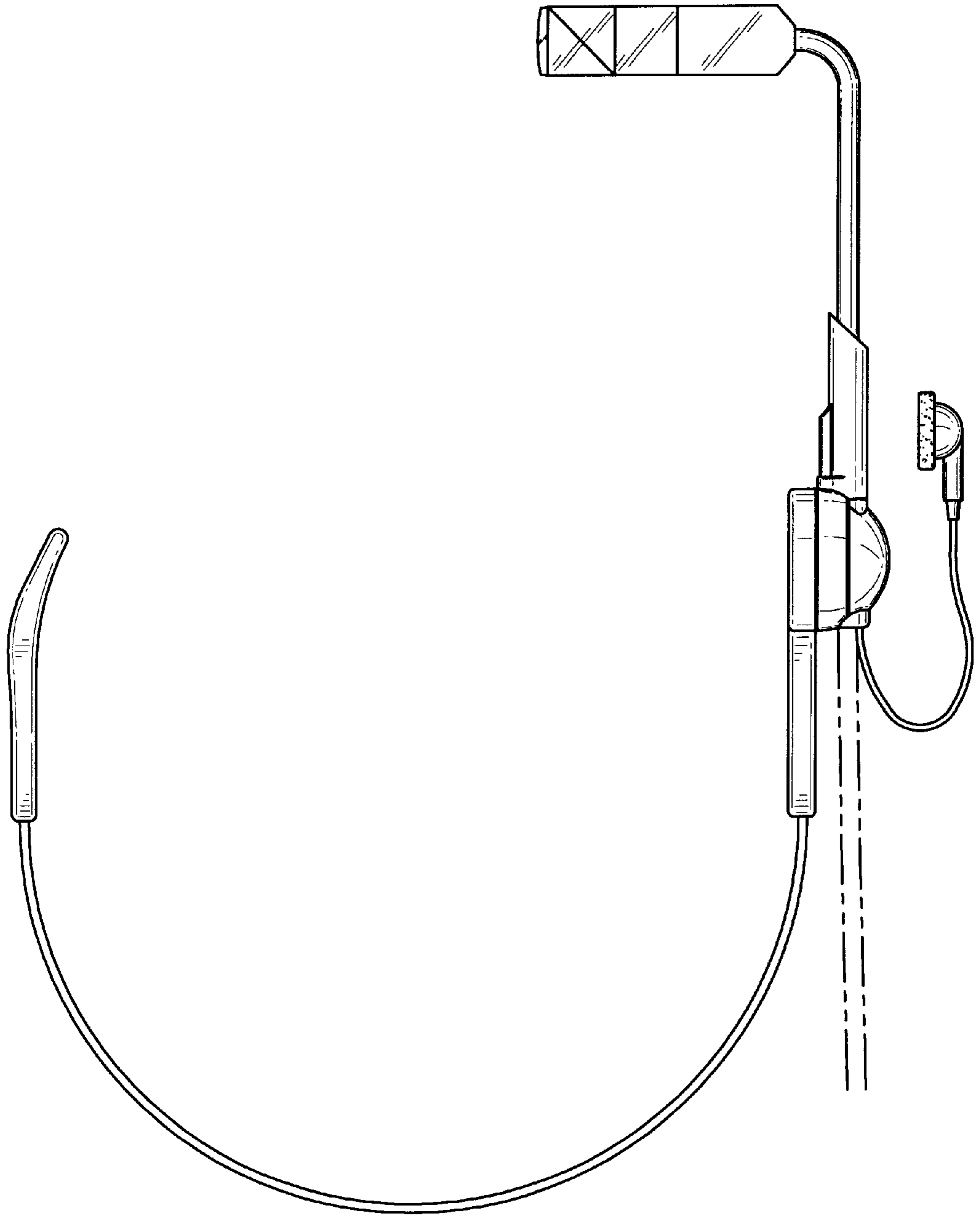


FIG-3

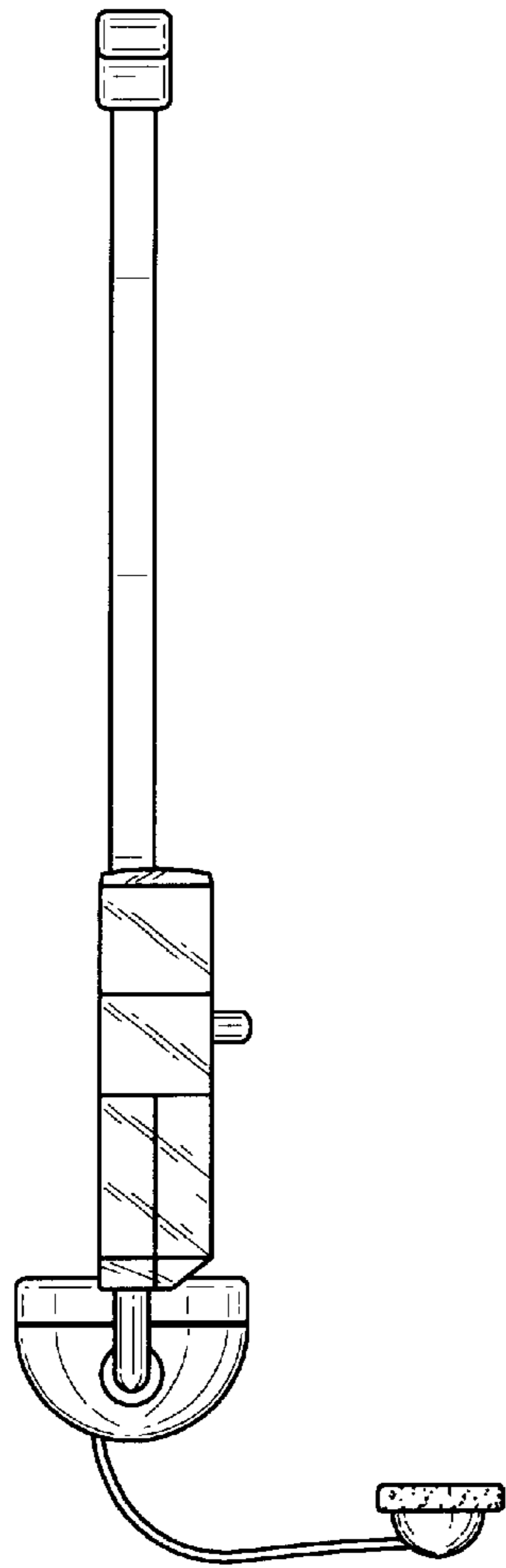


FIG-4

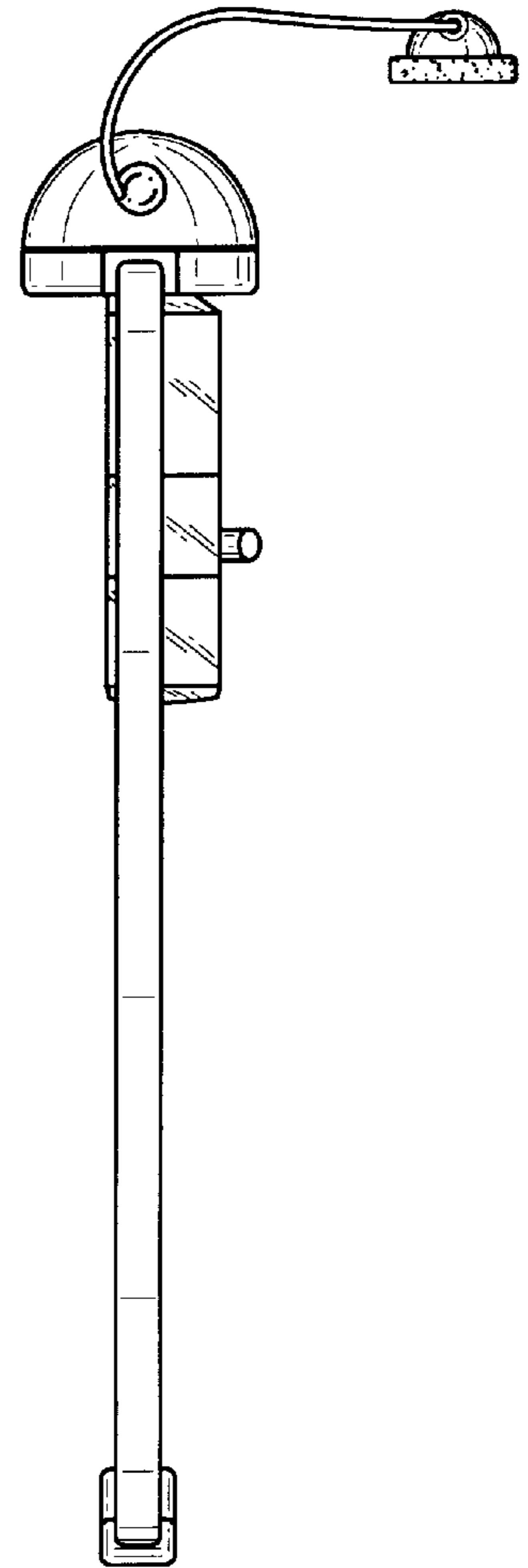


FIG-5

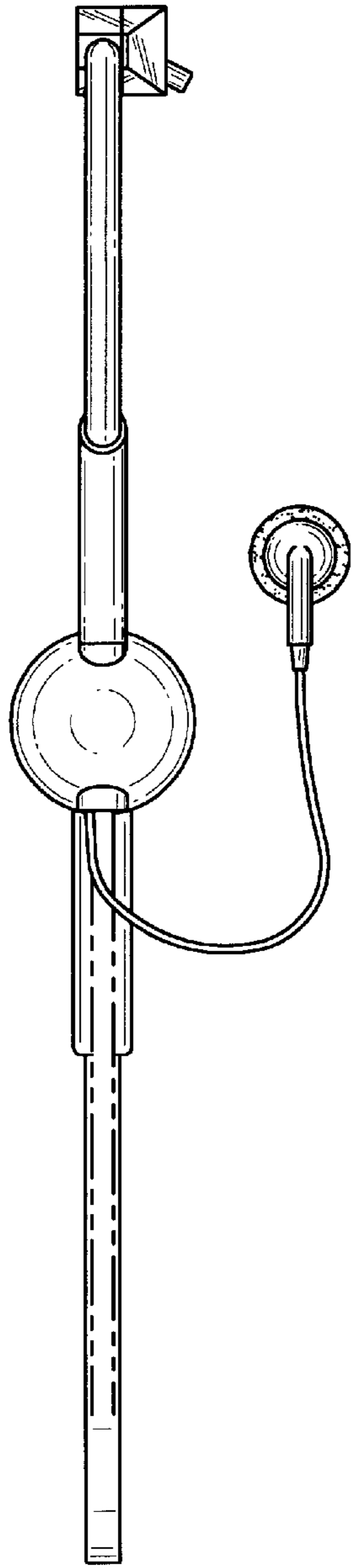


FIG-6

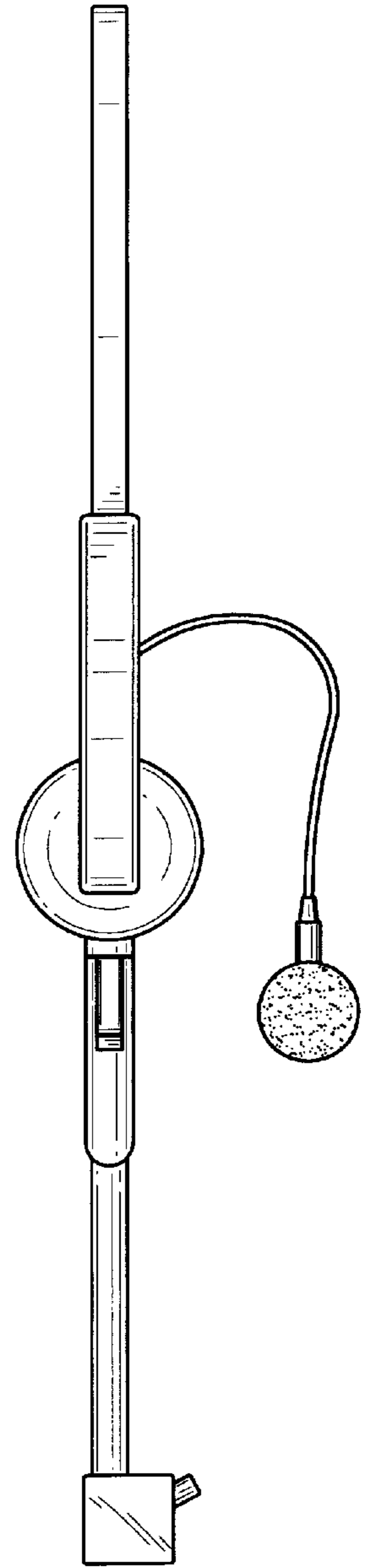


FIG-7

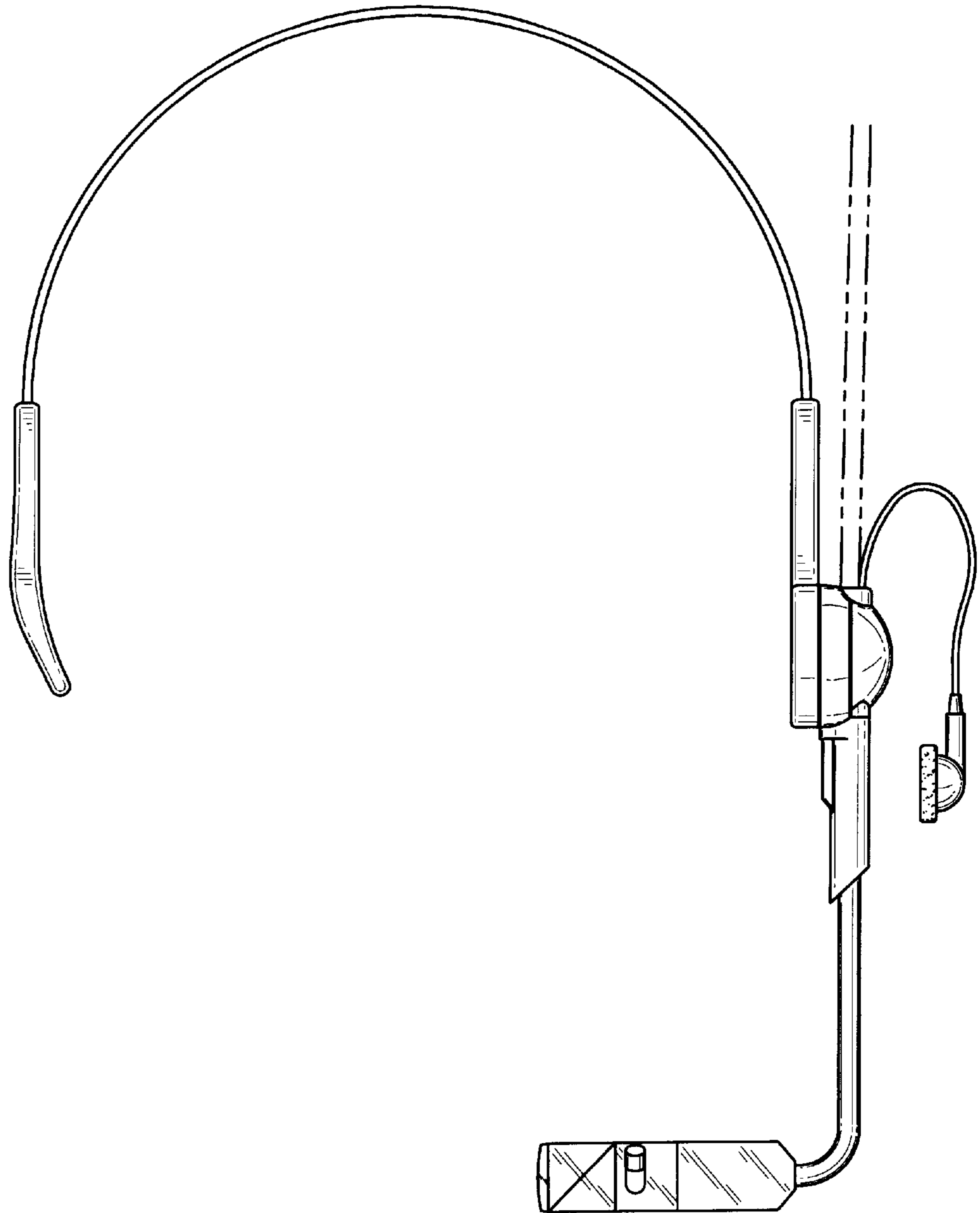


FIG-8

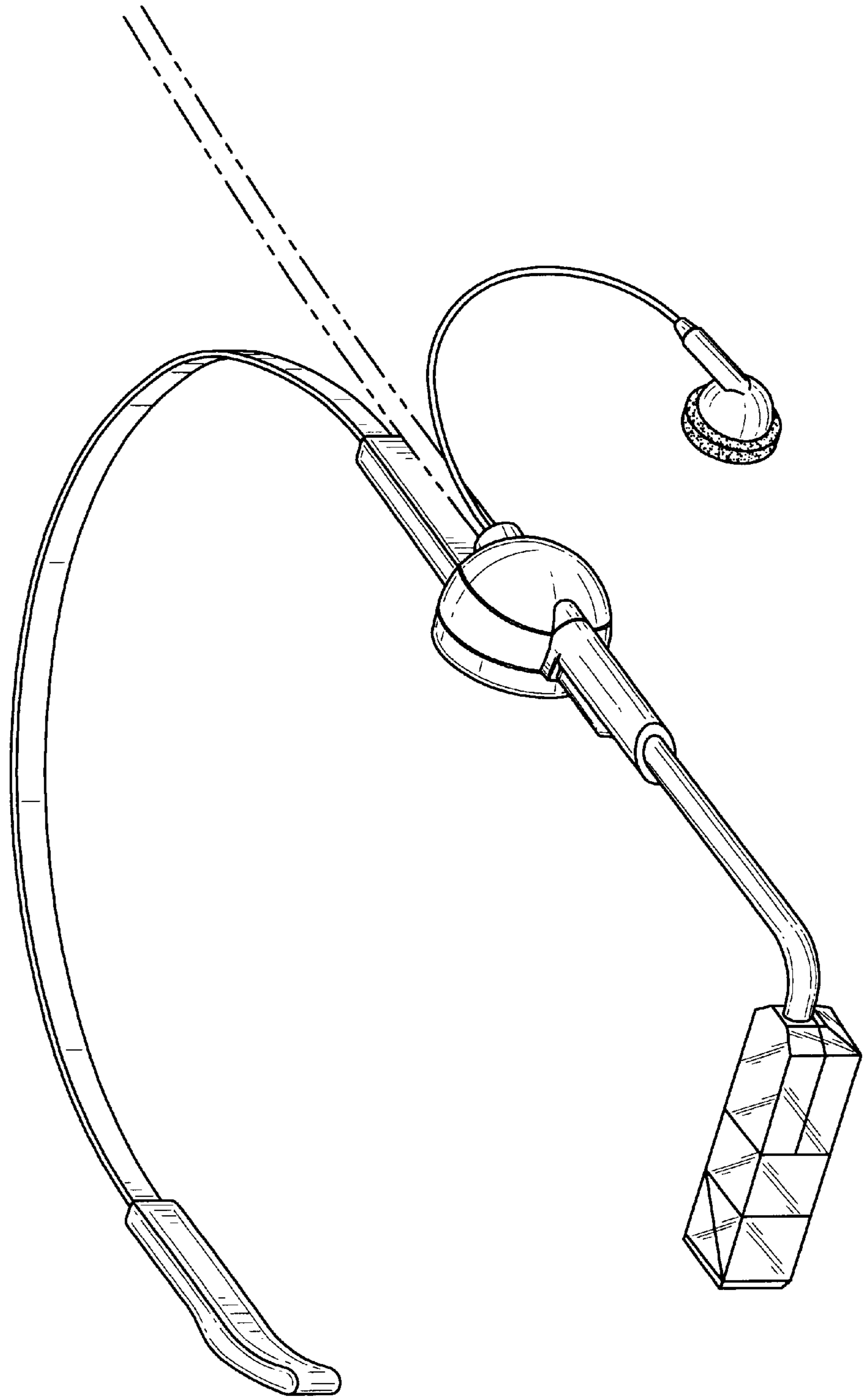


FIG-9