



US00D436952S

(12) **United States Design Patent**
Goto

(10) **Patent No.:** **US D436,952 S**

(45) **Date of Patent:** **** Jan. 30, 2001**

(54) **COMPUTER**

(75) Inventor: **Teiyu Goto**, Tokyo (JP)

(73) Assignee: **Sony Corporation**, Tokyo (JP)

(*) Notice: This patent is subject to a terminal disclaimer.

(**) Term: **14 Years**

(21) Appl. No.: **29/096,422**

(22) Filed: **Nov. 12, 1998**

(51) **LOC (7) Cl.** **14-02**

(52) **U.S. Cl.** **D14/349**

(58) **Field of Search** D14/308, 349,
D14/352, 351; D13/162, 184, 199; 369/34,
36; 361/696

(56) **References Cited**

U.S. PATENT DOCUMENTS

D. 349,890	8/1994	Kabumoto	D14/109
D. 350,337	9/1994	Riley et al.	D14/102
D. 358,373	* 5/1995	Heard et al.	D14/352
D. 366,030	1/1996	Tinsley, Jr. et al.	D14/102
D. 369,787	5/1996	Muenkel	D14/102
D. 390,202	2/1998	Goto	D14/100
D. 401,573	* 11/1998	Goto	D14/308

OTHER PUBLICATIONS

Catalog "VAIO", pp. 3 & 5, Sony, (Nov. 1997).

* cited by examiner

Primary Examiner—Freda Nunn

(74) *Attorney, Agent, or Firm*—Rader, Fishman & Grauer

(57) **CLAIM**

The ornamental design for a computer, as shown and described.

DESCRIPTION

FIG. 1 is a perspective view of a first embodiment of a computer showing my new design;

FIG. 2 is a top plan view thereof;

FIG. 3 is a left side elevational view thereof;

FIG. 4 is a front elevational view thereof;

FIG. 5 is a right side elevational view thereof;

FIG. 6 is a rear elevational view thereof; and

FIG. 7 is a bottom plan view thereof;

FIG. 8 is a perspective view of a second embodiment of a computer showing my new design;

FIG. 9 is a top plan view thereof;

FIG. 10 is a left side elevational view thereof;

FIG. 11 is a front elevational view thereof;

FIG. 12 is a right side elevational view thereof;

FIG. 13 is a rear elevational view thereof; and,

FIG. 14 is a bottom plan view thereof.

1 Claim, 6 Drawing Sheets

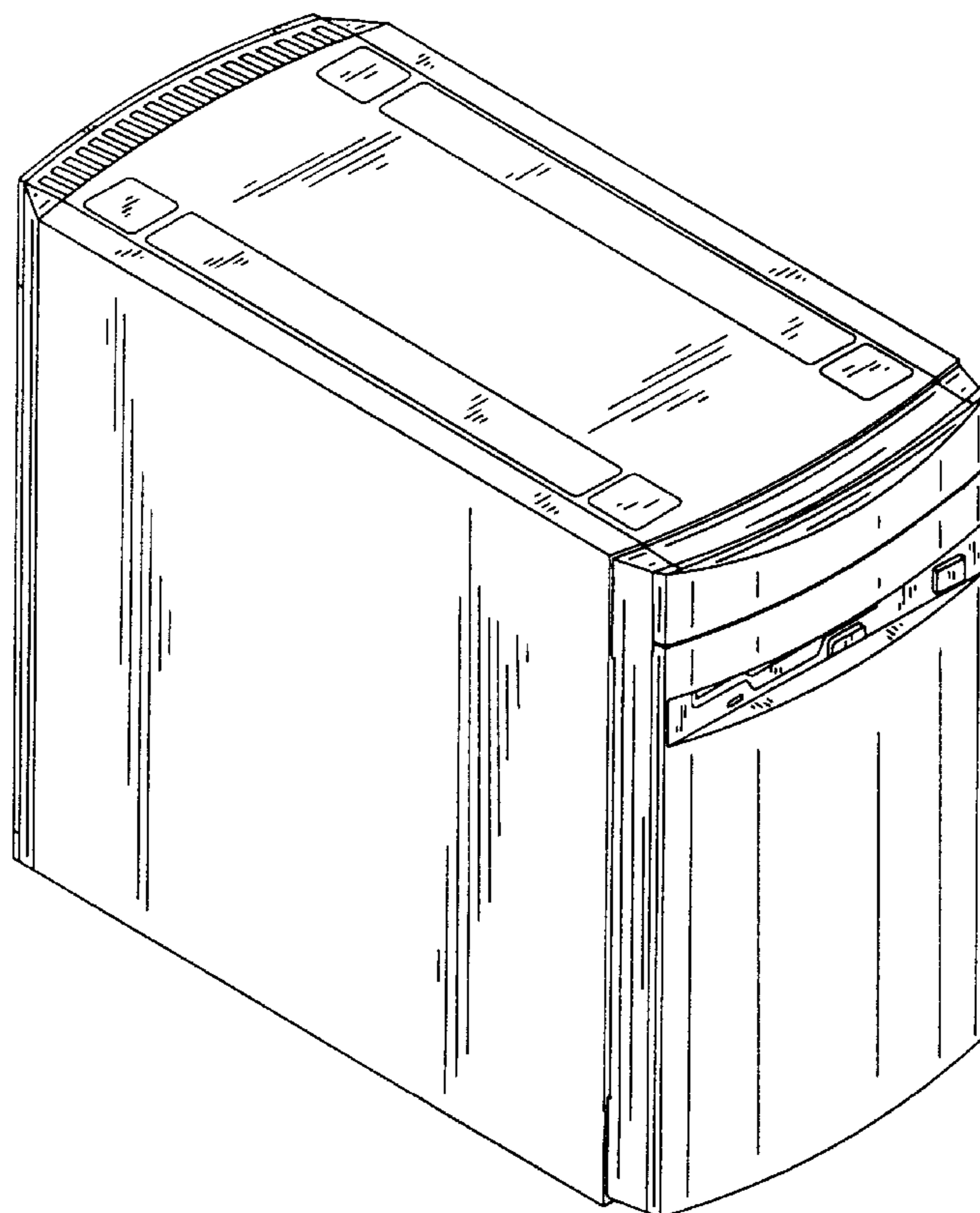


FIG. 1

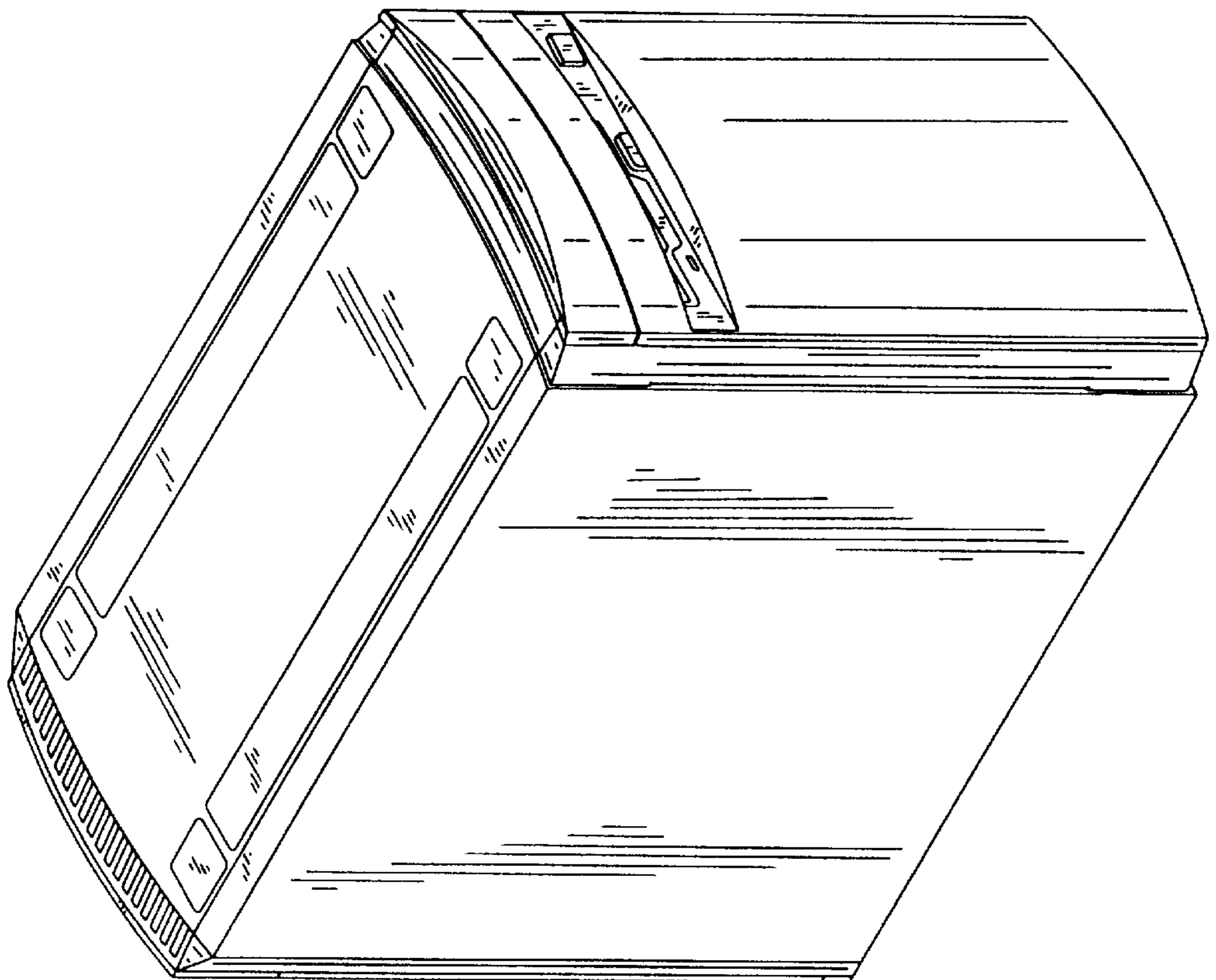


FIG. 2

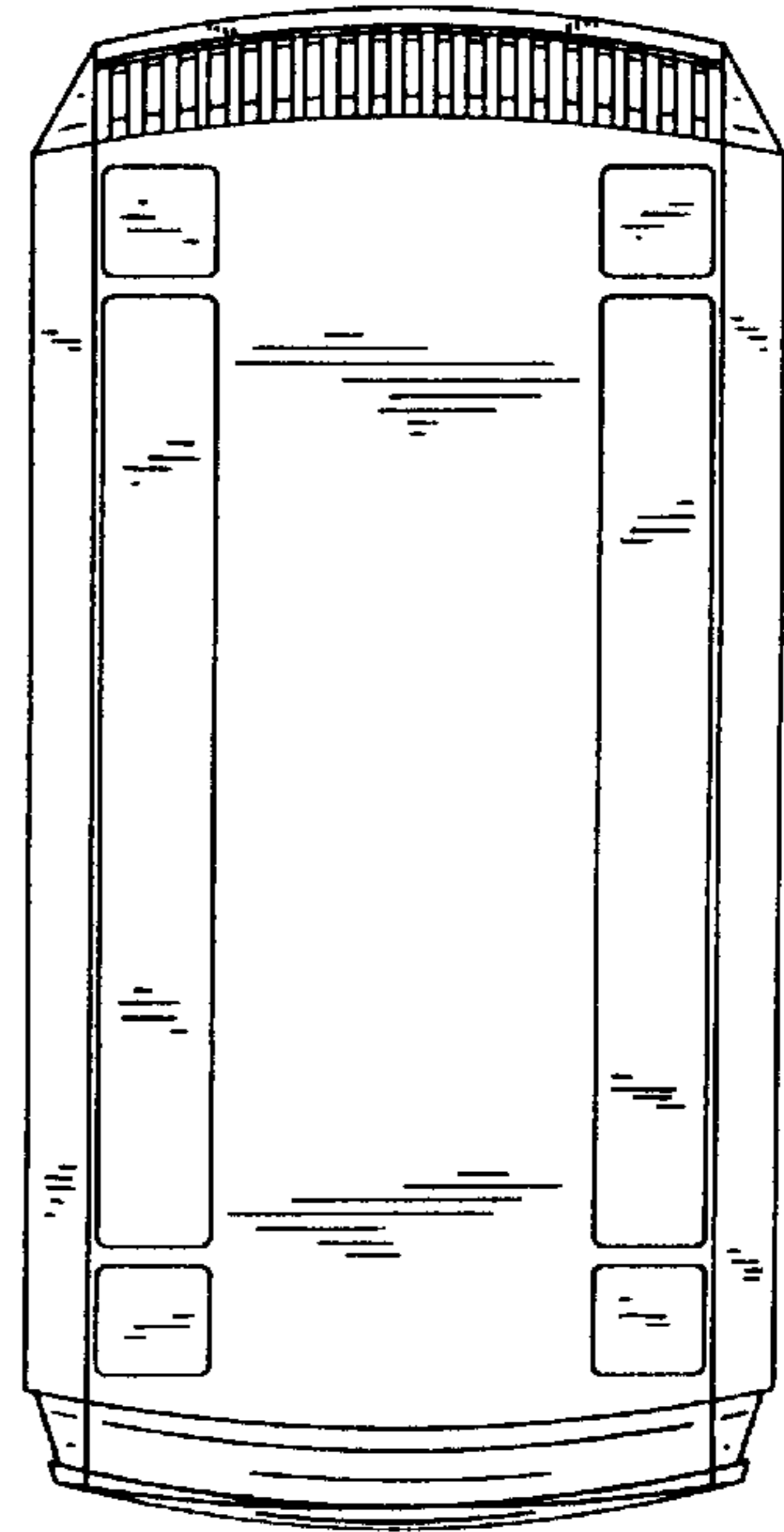


FIG. 3

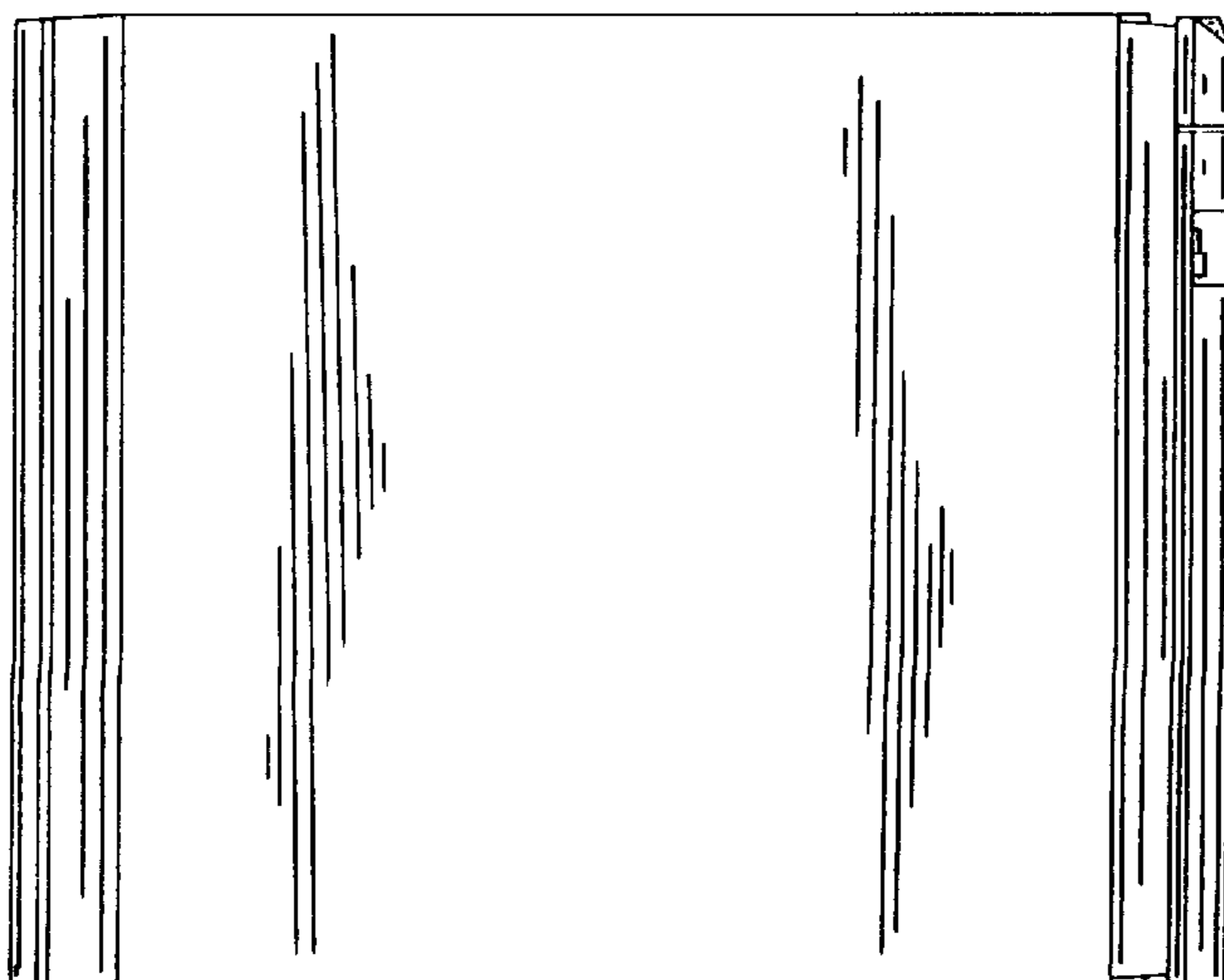


FIG. 4

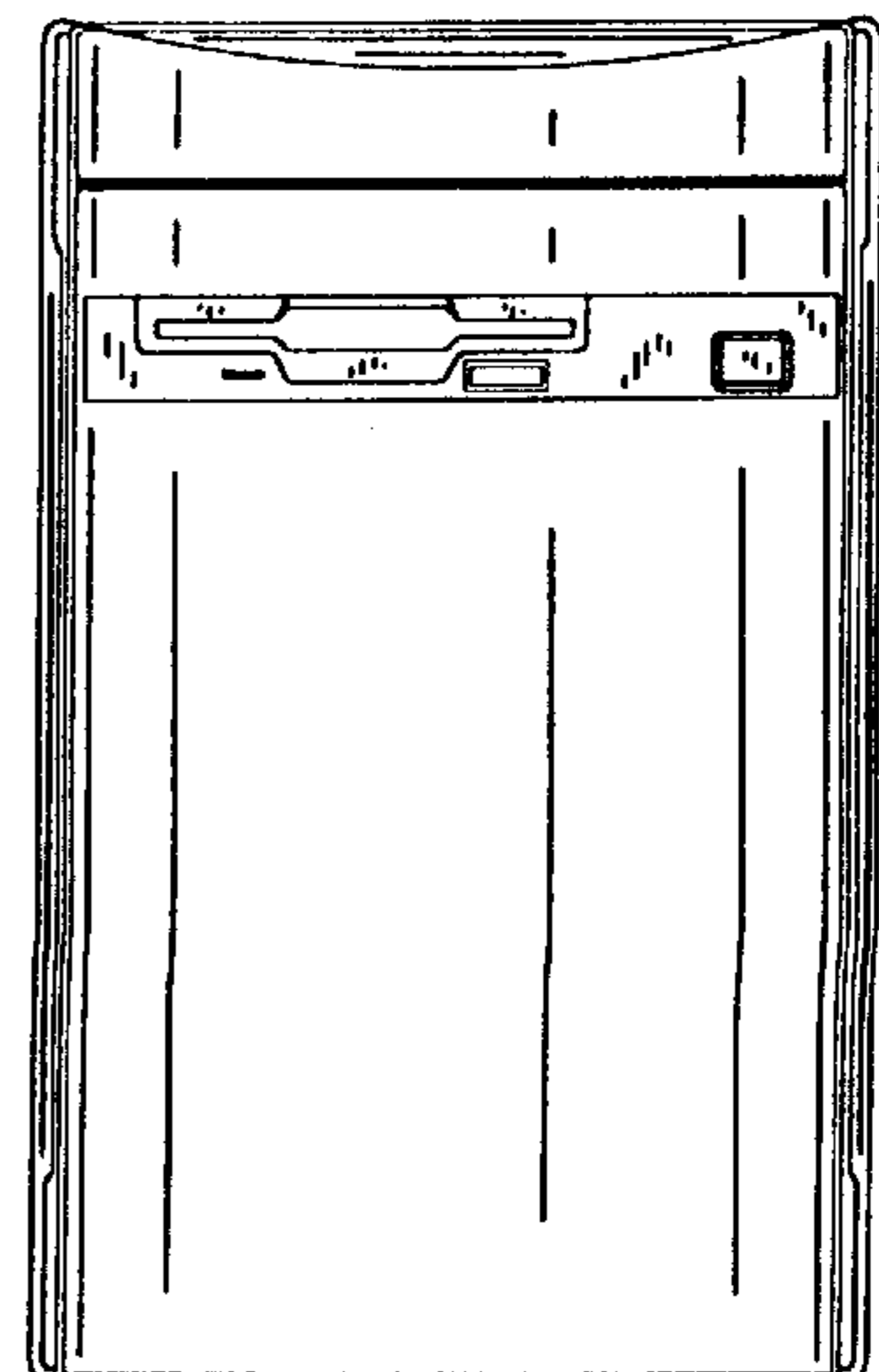


FIG. 5

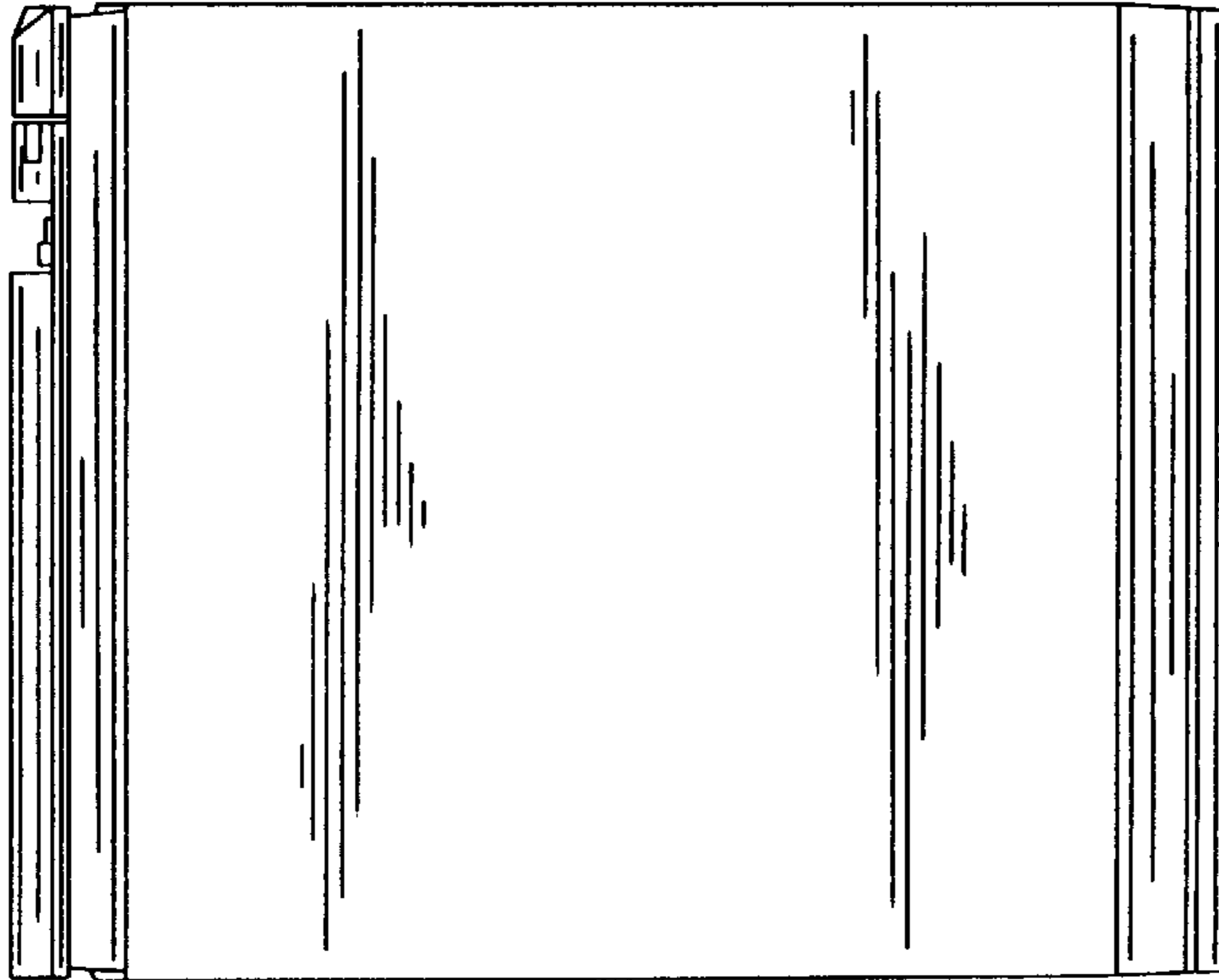


FIG. 6

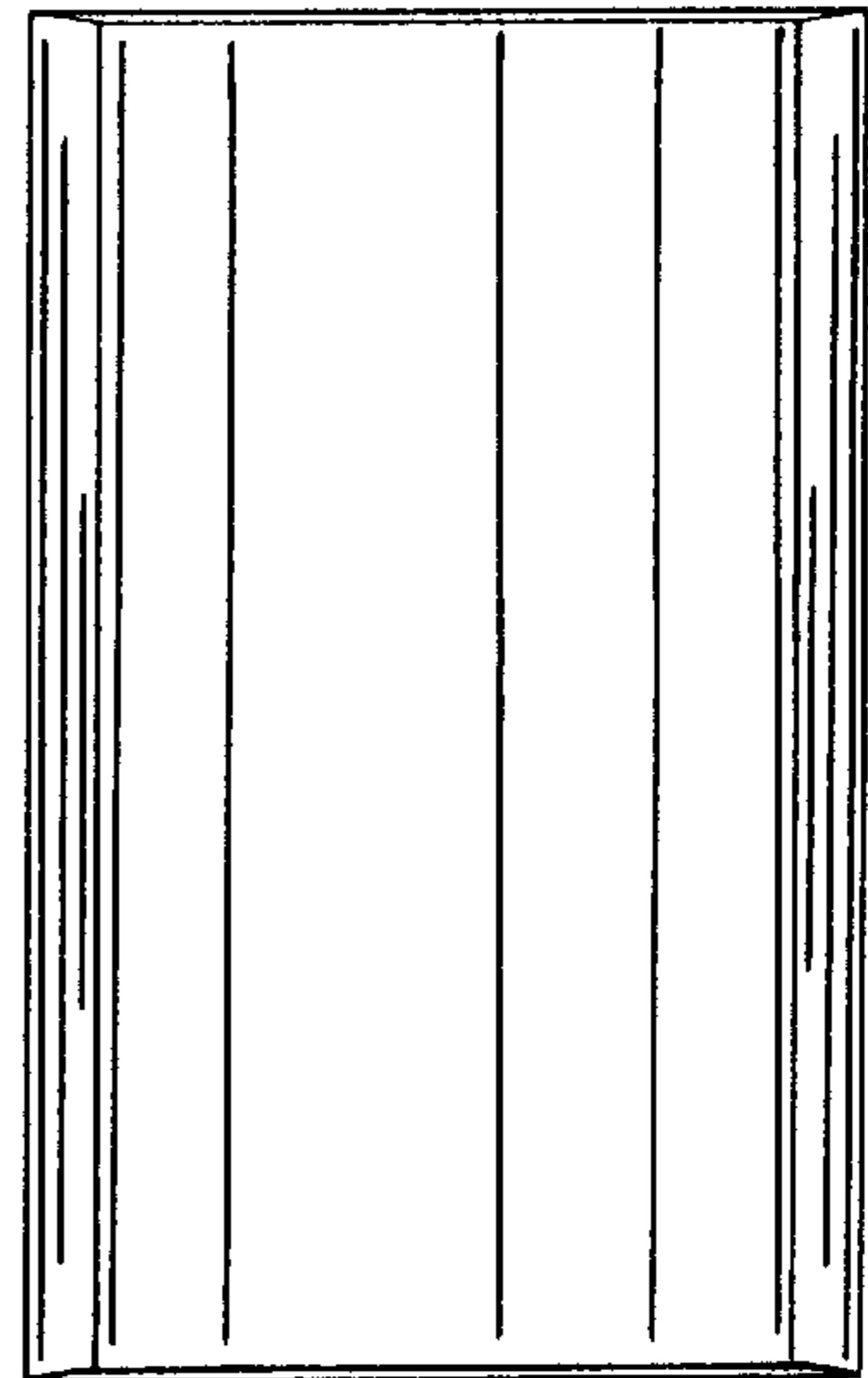


FIG. 7

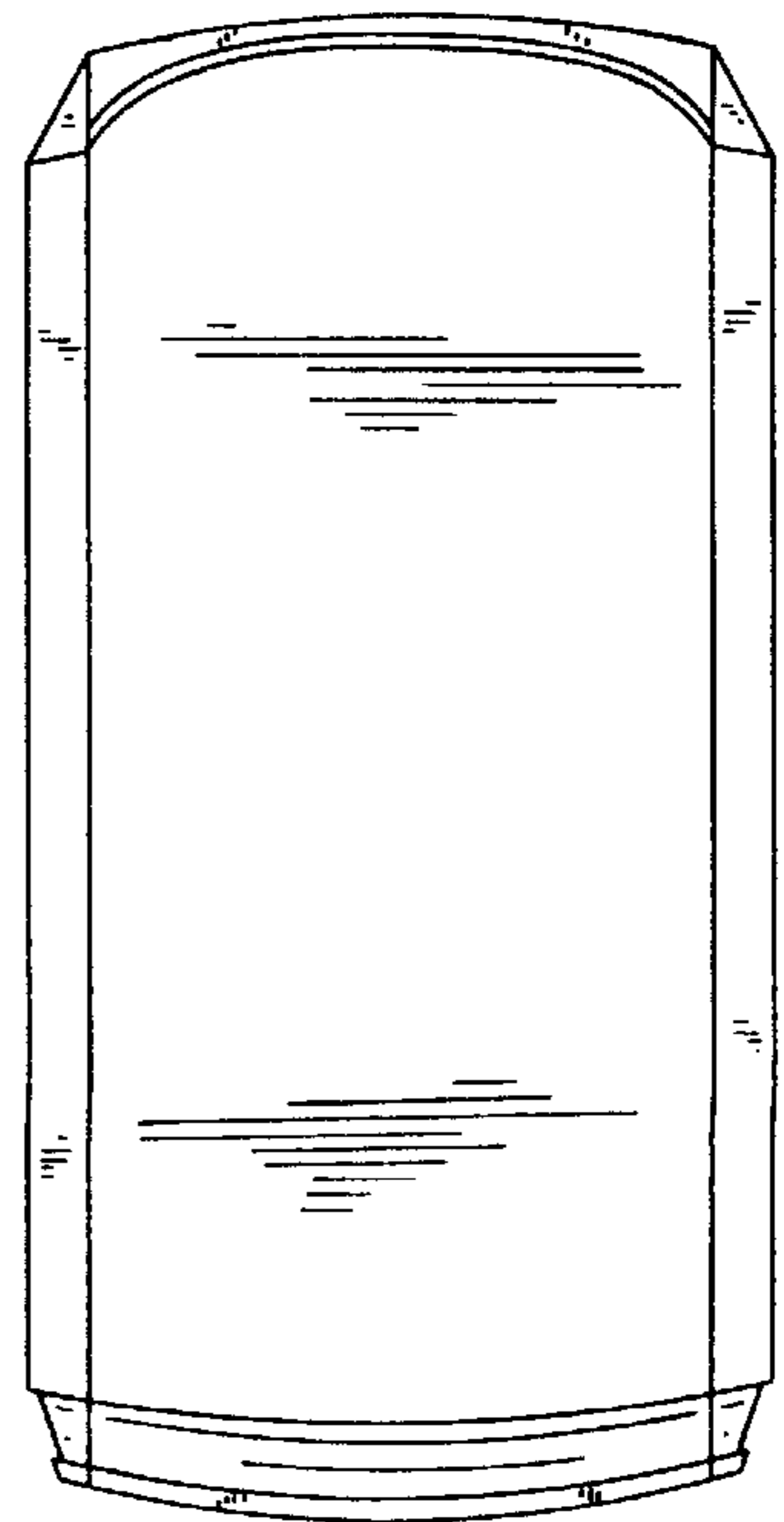


FIG. 8

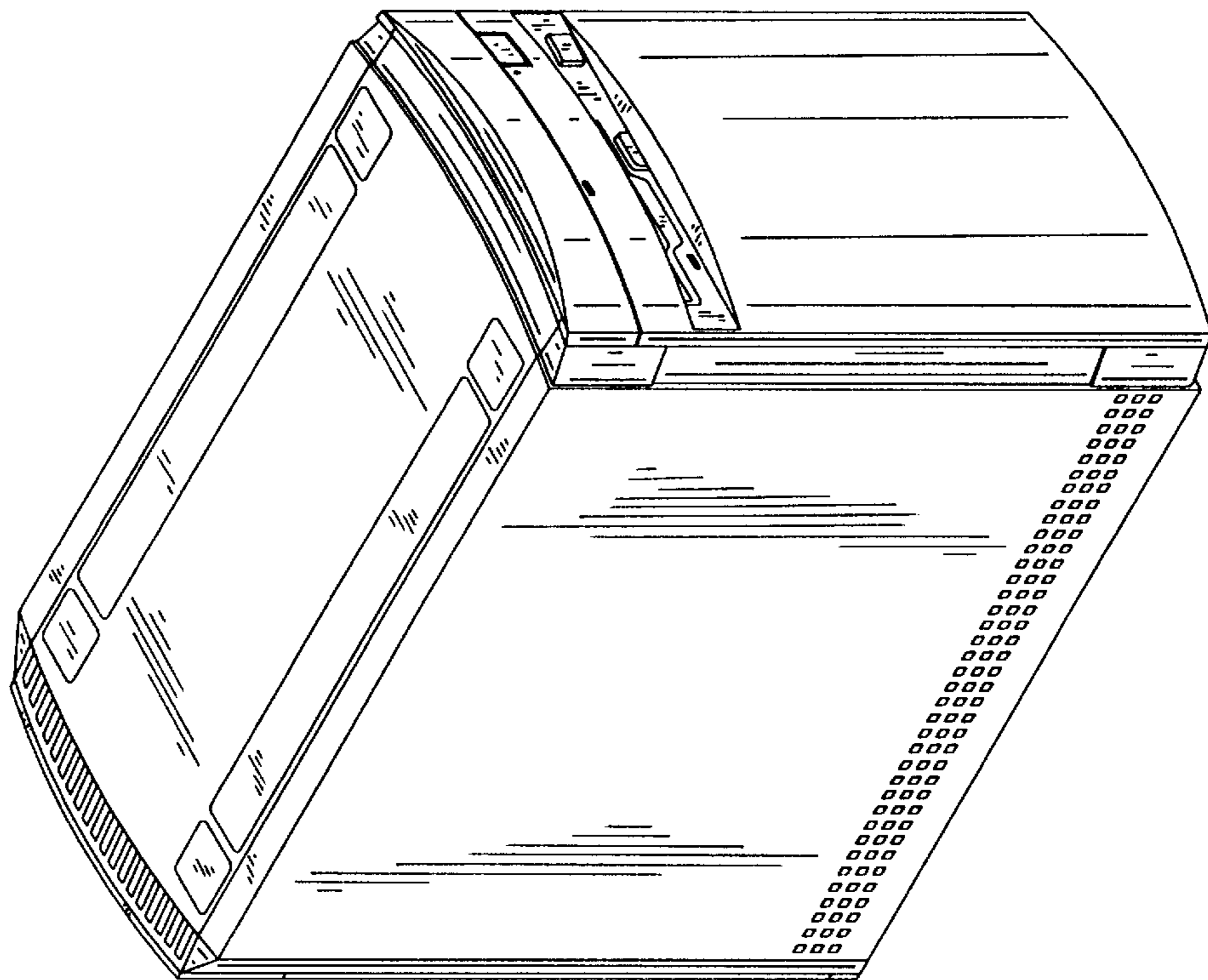


FIG. 9

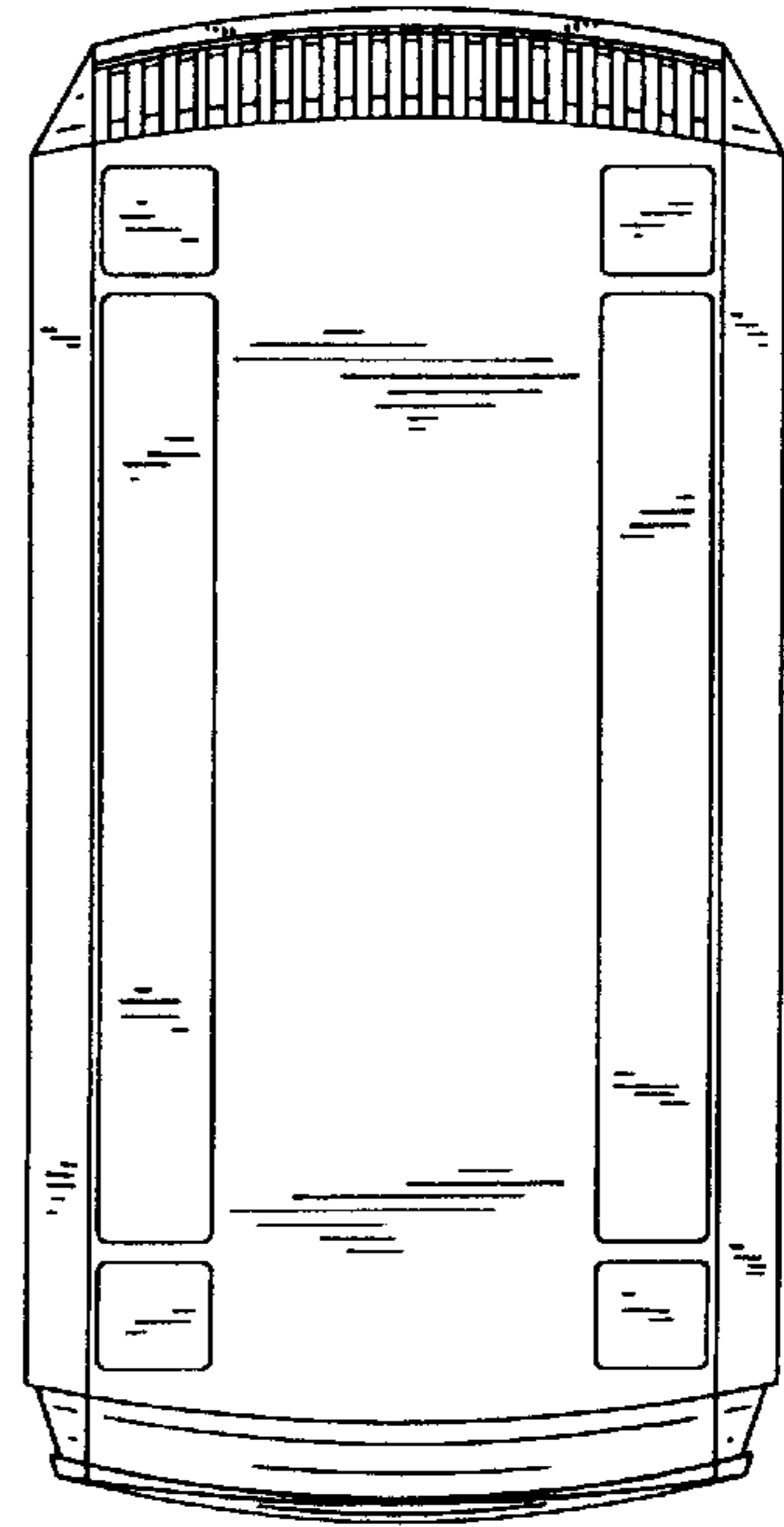


FIG. 10

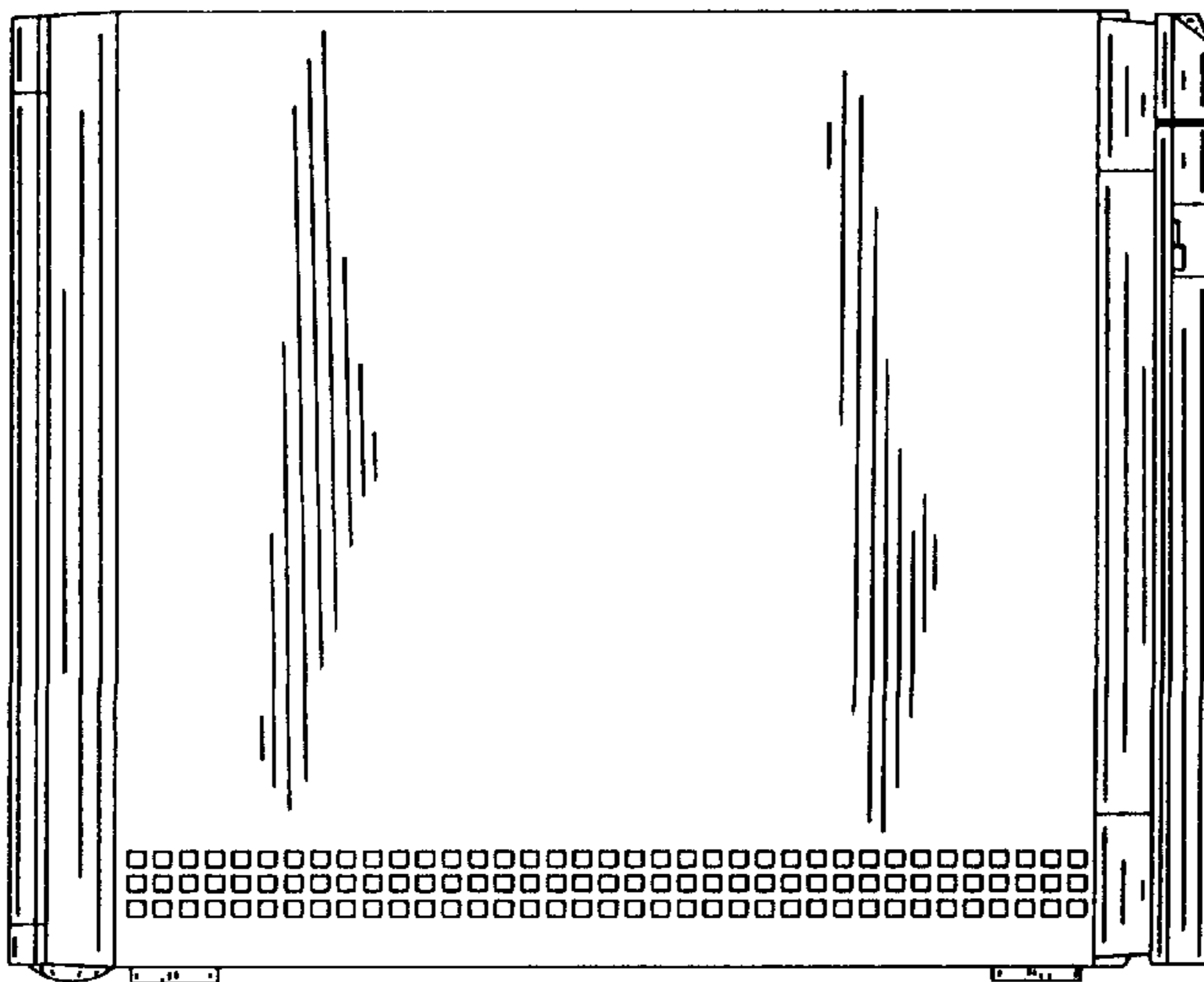


FIG. 11

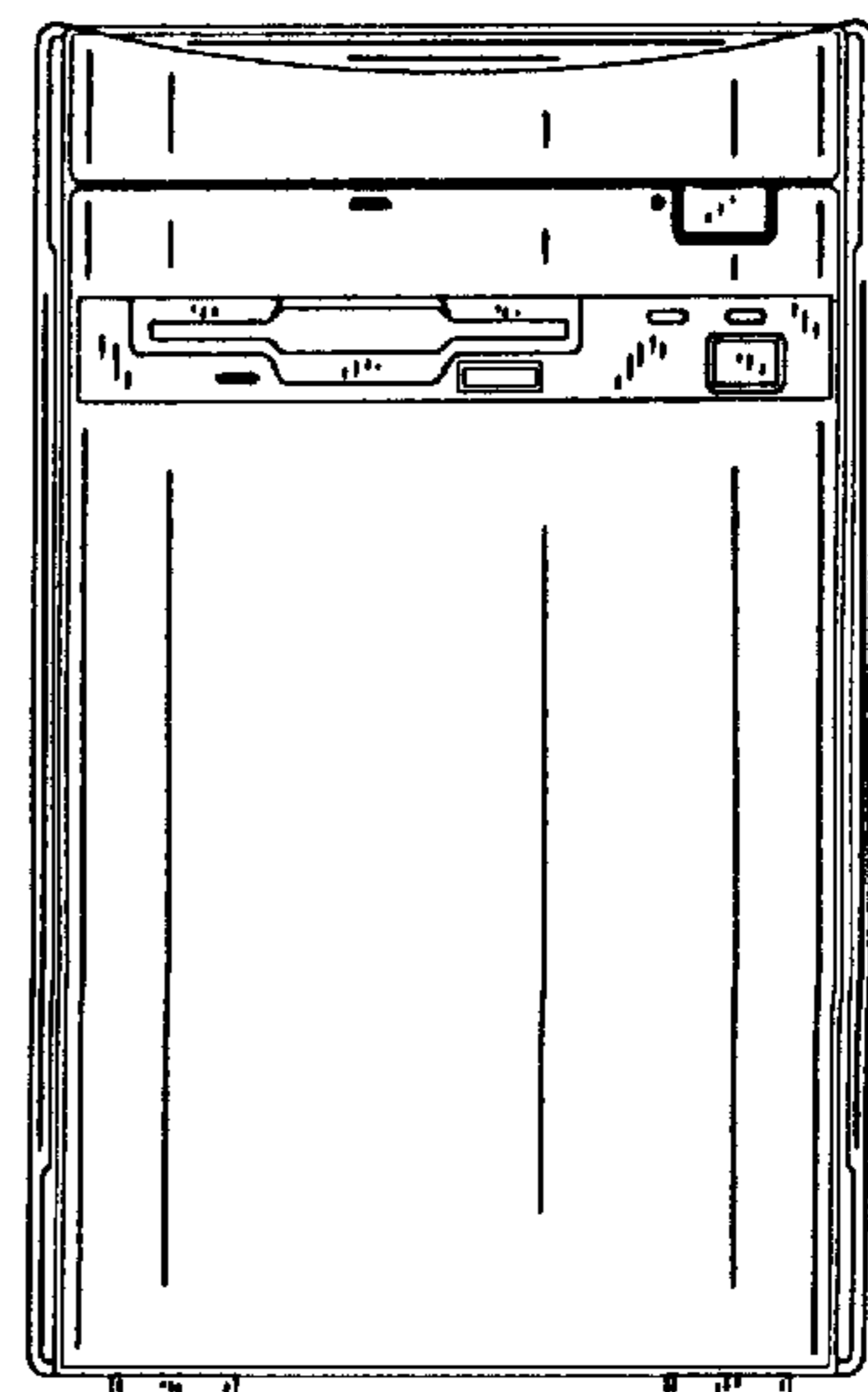


FIG. 12

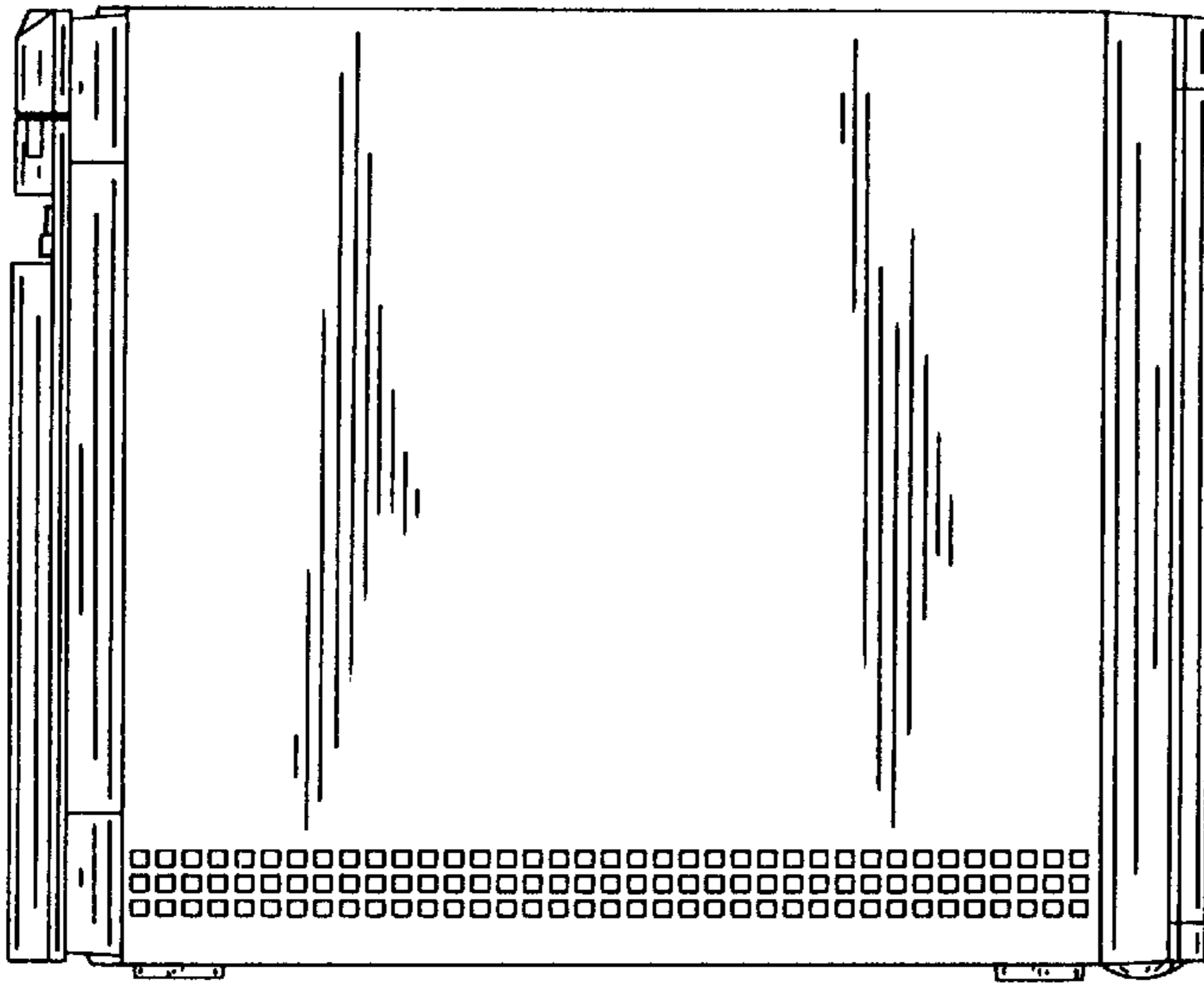


FIG. 13

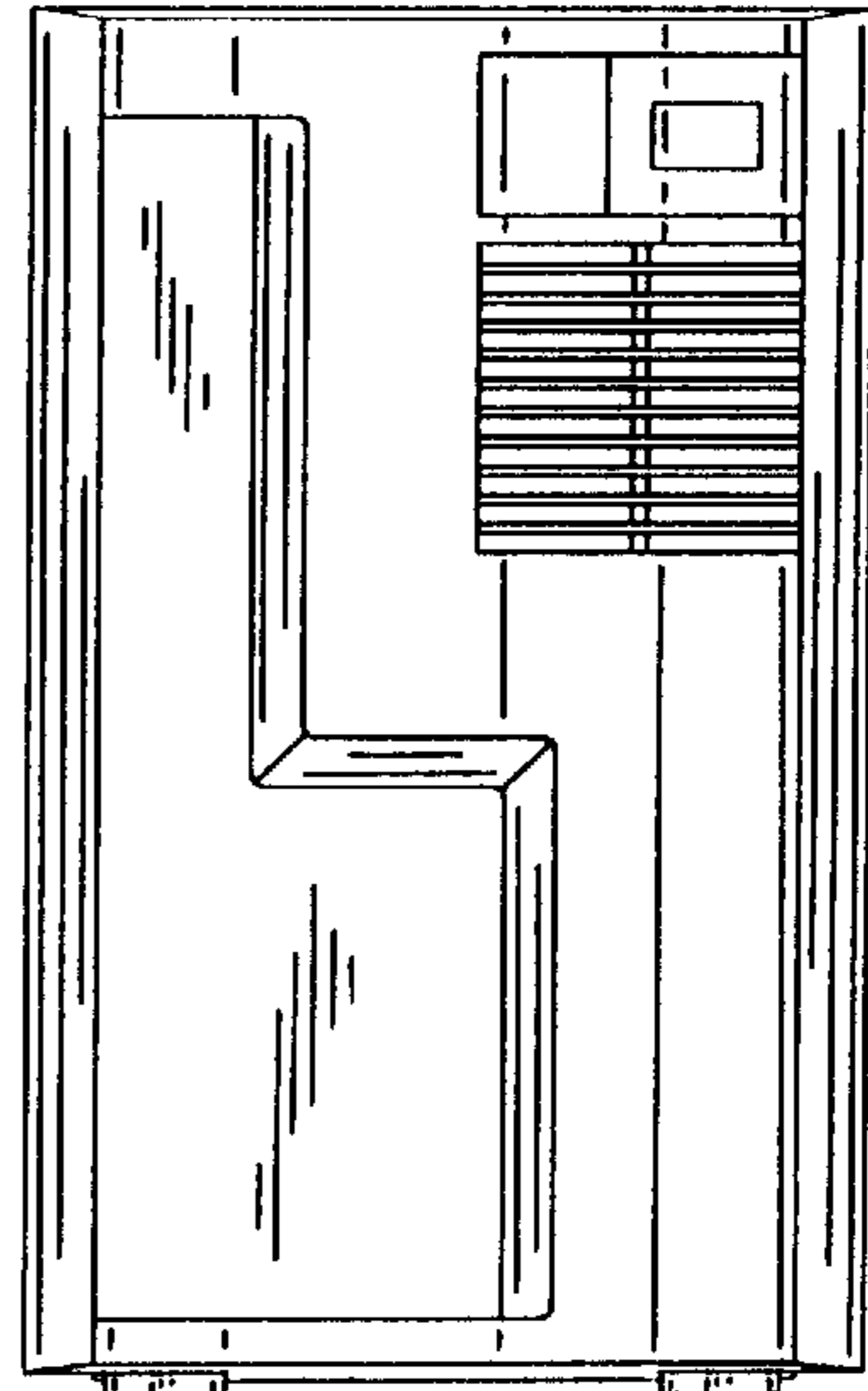


FIG. 14

