



US00D436947S

(12) **United States Design Patent**
Yamada et al.

(10) **Patent No.:** **US D436,947 S**

(45) **Date of Patent:** **** Jan. 30, 2001**

(54) **PICKUP FOR AN OPTICAL DISC PLAYER OR RECORDER**

D. 385,883 * 11/1997 Takashina et al. D14/217
D. 389,150 * 1/1998 Tanaka D14/217
4,727,529 * 2/1988 Araki et al. 369/44.23 X

(75) Inventors: **Katsuhiko Yamada; Tetsuhiro Shiomi,**
both of Tokyo; **Tomoaki Morishita;**
Kazuhiko Mori, both of Shizuoka, all
of (JP)

OTHER PUBLICATIONS

Catalog "Optical Device", pp. 1, 15 and other sheet having
no page number, SONY, (Sep. 1992).

(73) Assignee: **Sony Corporation (JP)**

* cited by examiner

(**) Term: **14 Years**

Primary Examiner—Richelle Shelton

(74) *Attorney, Agent, or Firm*—Rader, Fishman&Grauer

(21) Appl. No.: **29/095,370**

(57) **CLAIM**

(22) Filed: **Oct. 21, 1998**

The ornamental design for a pickup for an optical disc player
or recorder, as shown and described.

(30) **Foreign Application Priority Data**

DESCRIPTION

Apr. 24, 1998 (JP) 10-11750

(51) **LOC (7) Cl.** **14-03**

FIG. 1 is a perspective view of a pickup for an optical disc
player or recorder showing our new design;

(52) **U.S. Cl.** **D14/239**

FIG. 2 is a reduced top plan view of the pickup for an optical
disc player or recorder;

(58) **Field of Search** D14/217, 239,
D14/260; 369/44.14-44.24

FIG. 3 is a left side elevational view thereof;

FIG. 4 is a front elevational view thereof;

FIG. 5 is a bottom plan view thereof;

FIG. 6 is a right side elevational view thereof; and,

FIG. 7 is a rear elevational view thereof.

(56) **References Cited**

U.S. PATENT DOCUMENTS

D. 278,428 * 4/1985 Tsuchihashi et al. D14/217

D. 288,558 * 3/1987 Takemura et al. D14/239

1 Claim, 3 Drawing Sheets

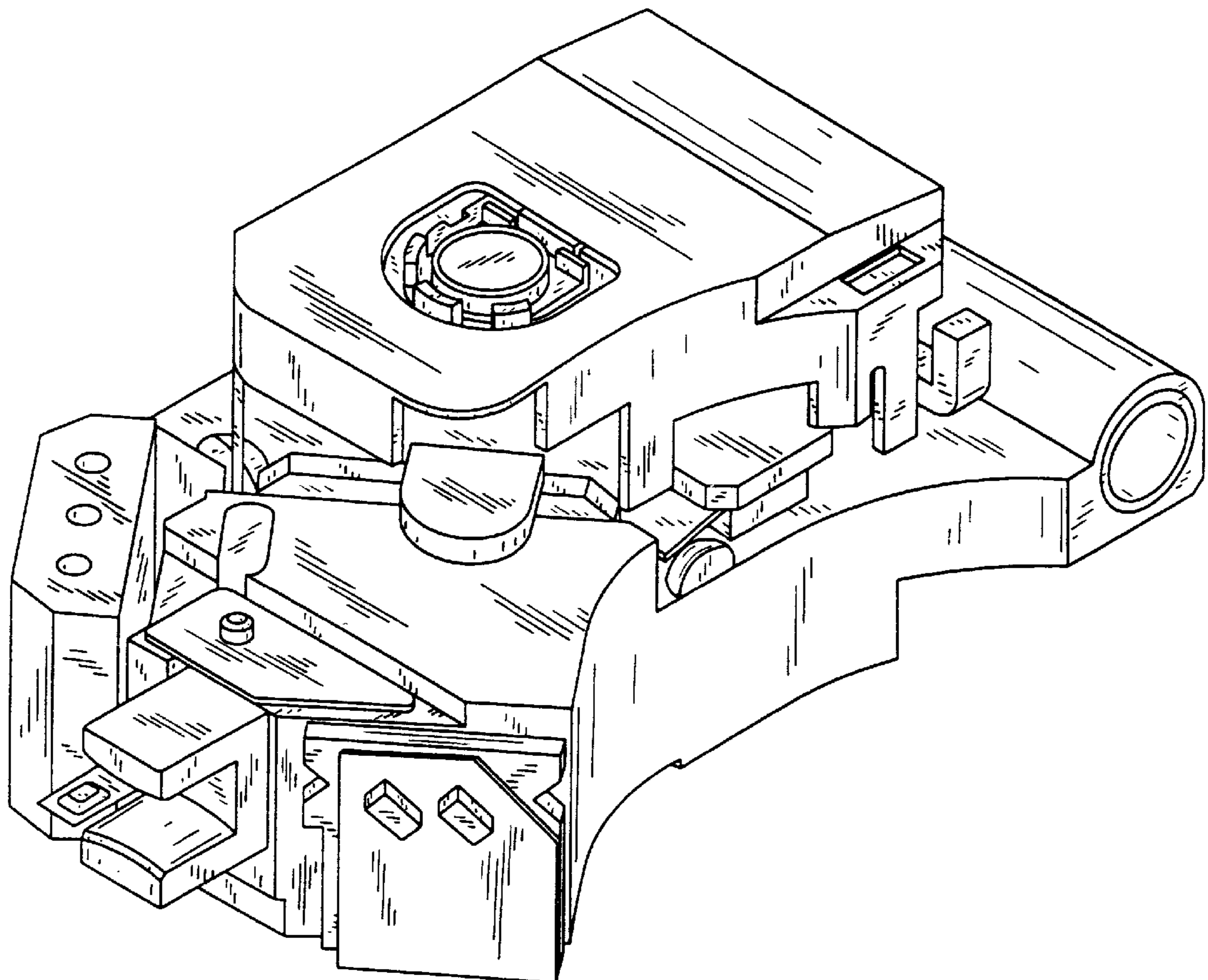


FIG. 1

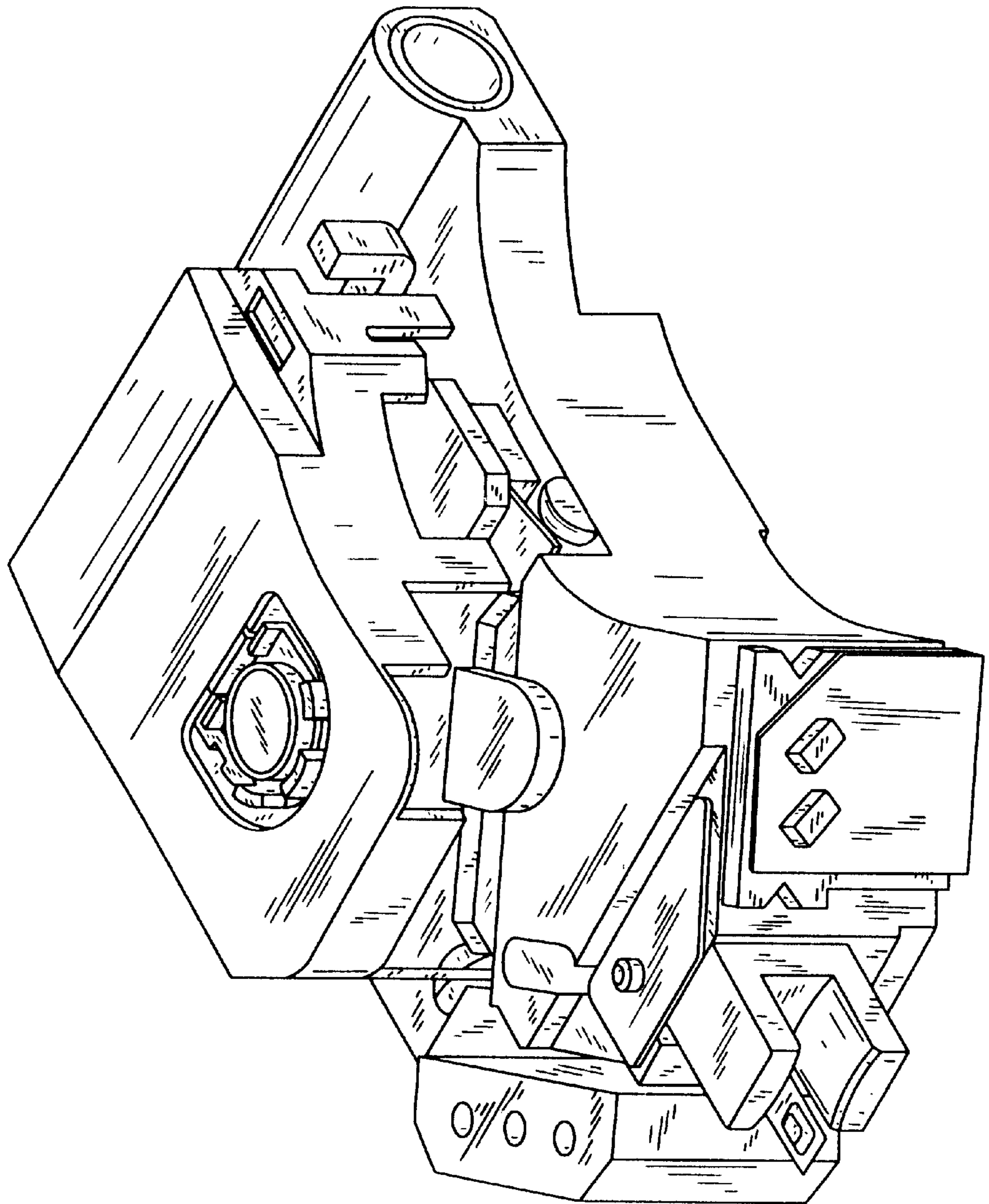


FIG. 2

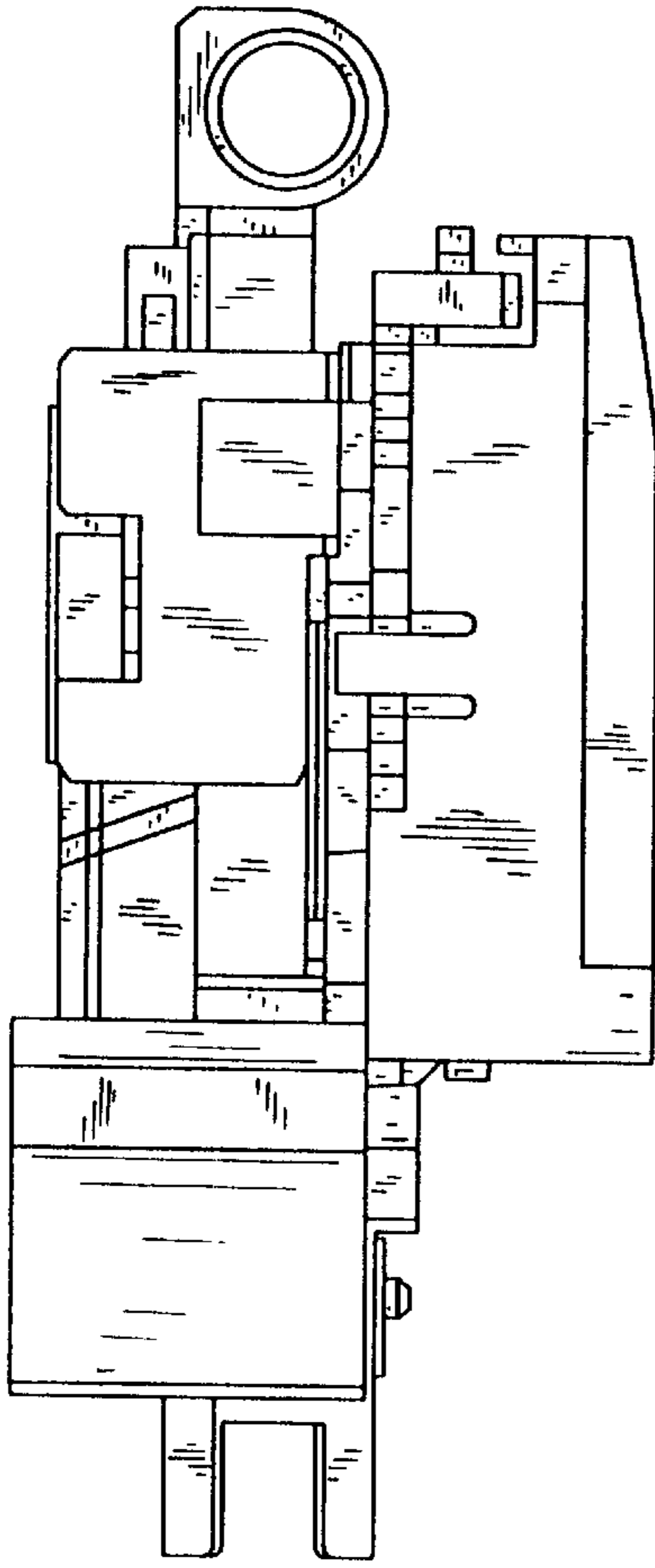


FIG. 4

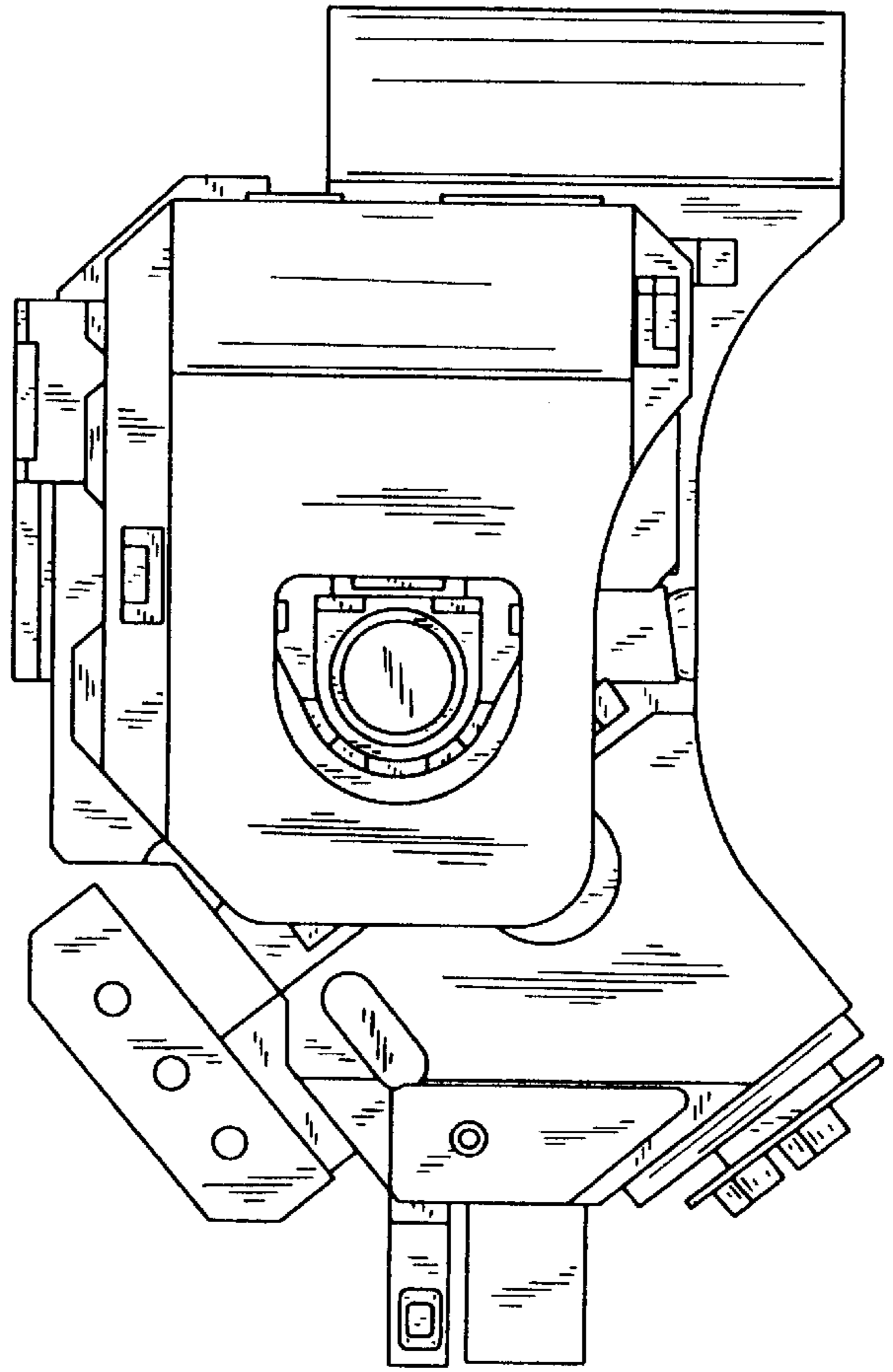


FIG. 3

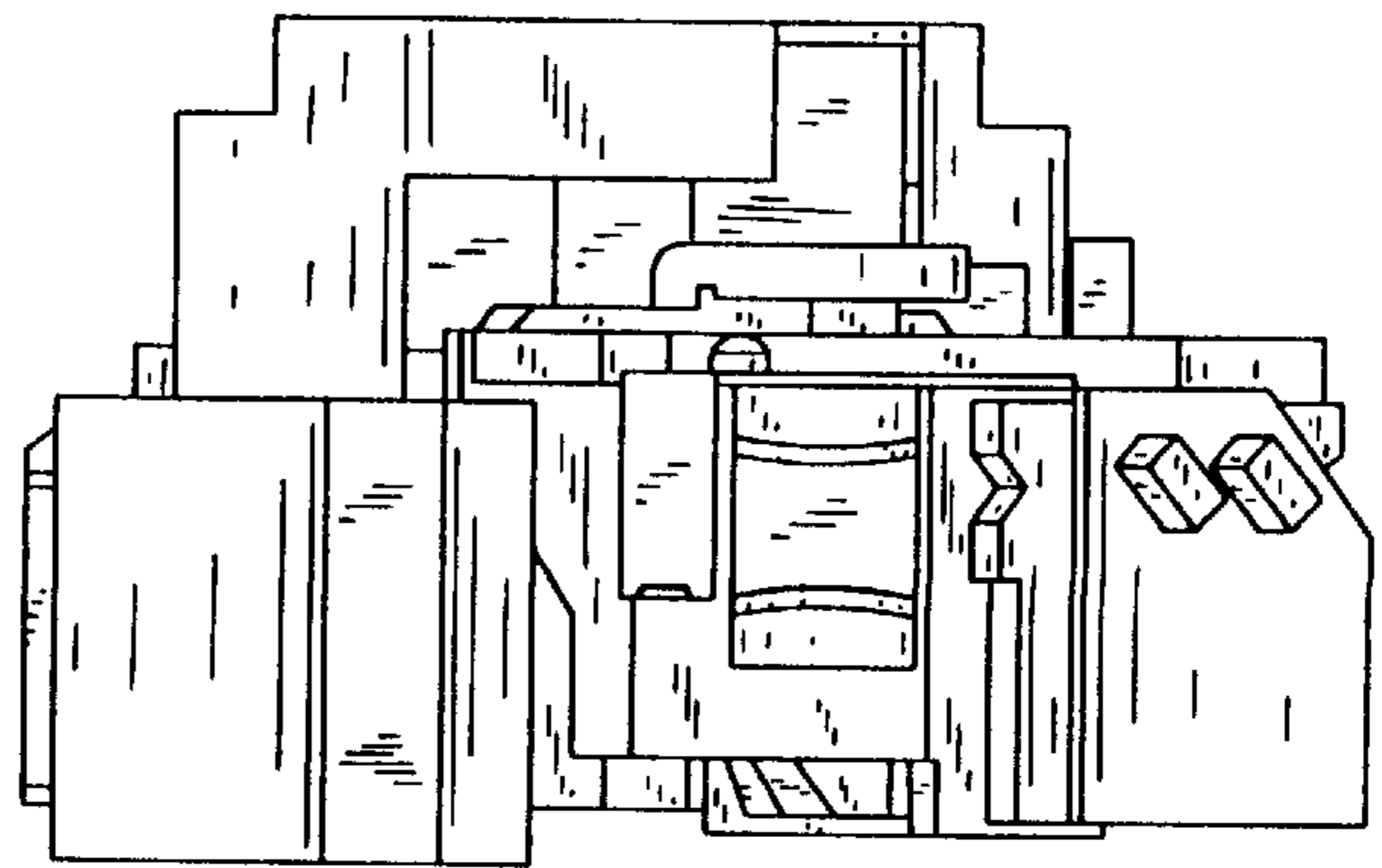


FIG. 7

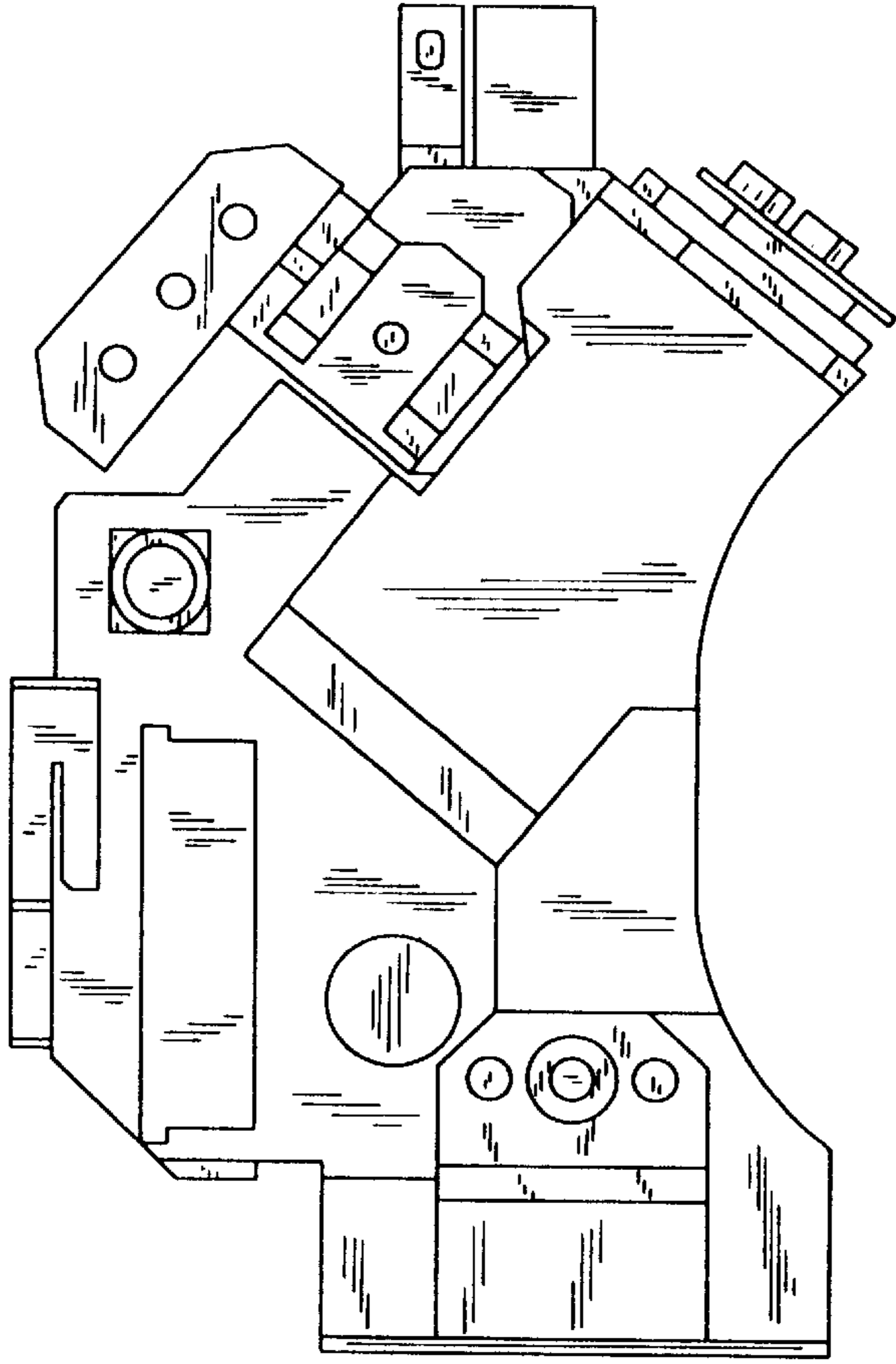


FIG. 6

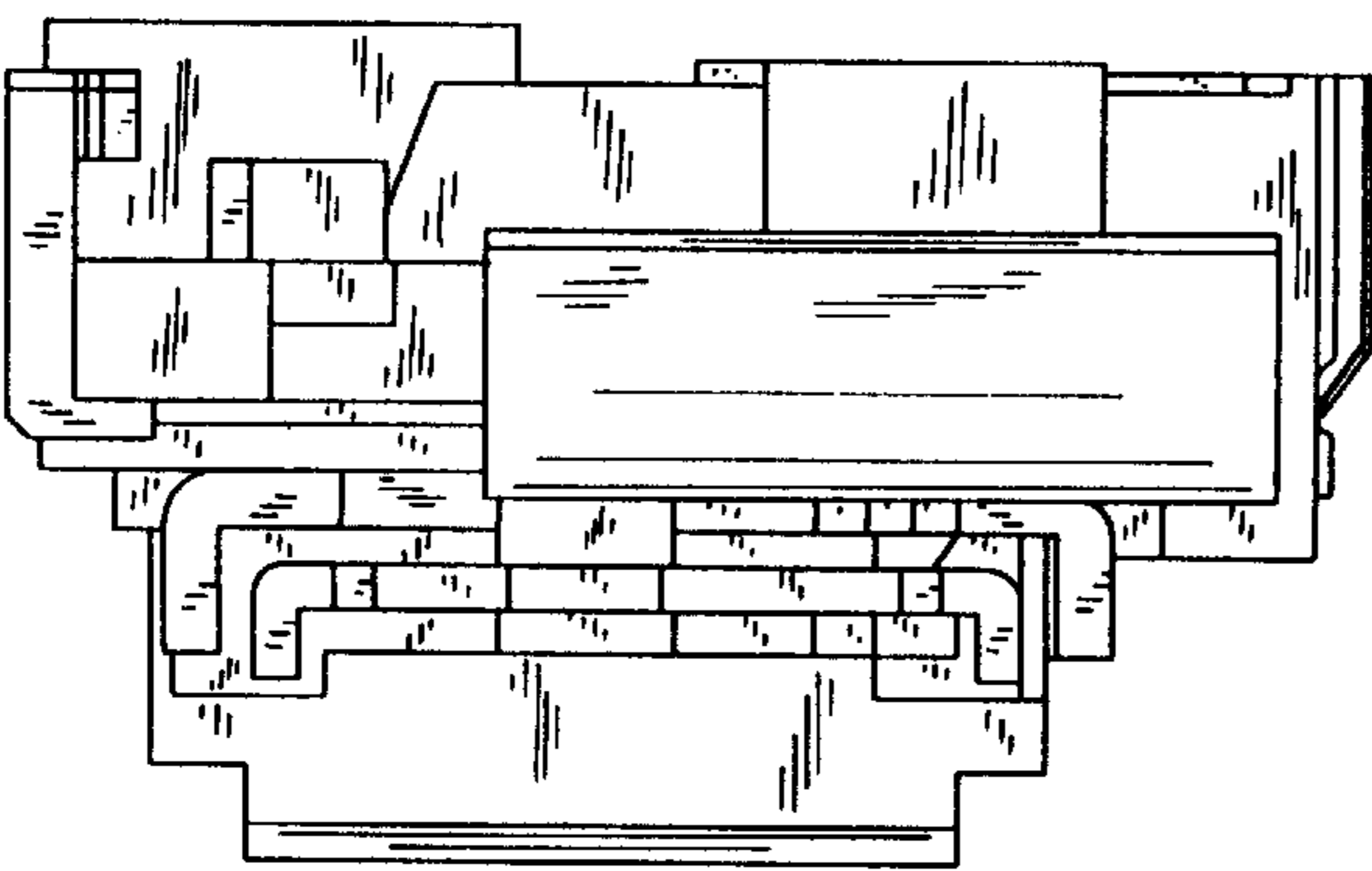


FIG. 5

