



US00D436944S

(12) **United States Design Patent**  
**Narita**

(10) **Patent No.:** **US D436,944 S**

(45) **Date of Patent:** **\*\* Jan. 30, 2001**

(54) **COMBINED DISC PLAYER, RADIO RECEIVER AND TAPE PLAYER**

(75) Inventor: **Hisanori Narita, Tokyo (JP)**

(73) Assignee: **Sony Corporation (JP)**

(\*\*) Term: **14 Years**

(21) Appl. No.: **29/122,546**

(22) Filed: **May 1, 2000**

(51) **LOC (7) Cl.** ..... **14-01**

(52) **U.S. Cl.** ..... **D14/168**

(58) **Field of Search** ..... D14/136, 156,  
D14/160-168, 188, 193-198; 455/344,  
347-351

(56) **References Cited**

**U.S. PATENT DOCUMENTS**

D. 327,684	*	7/1992	Totsuka	.....	D14/168
D. 350,754	*	9/1994	Sasago	.....	D14/168
D. 381,658	*	7/1997	Ito et al.	.....	D14/168
D. 389,147	*	1/1998	Ito et al.	.....	D14/168

**OTHER PUBLICATIONS**

Sony Catalog 90, p. 117, Nov., 1998.

\* cited by examiner

*Primary Examiner*—Nanda Bondade

(74) *Attorney, Agent, or Firm*—Rader, Fishman & Grauer

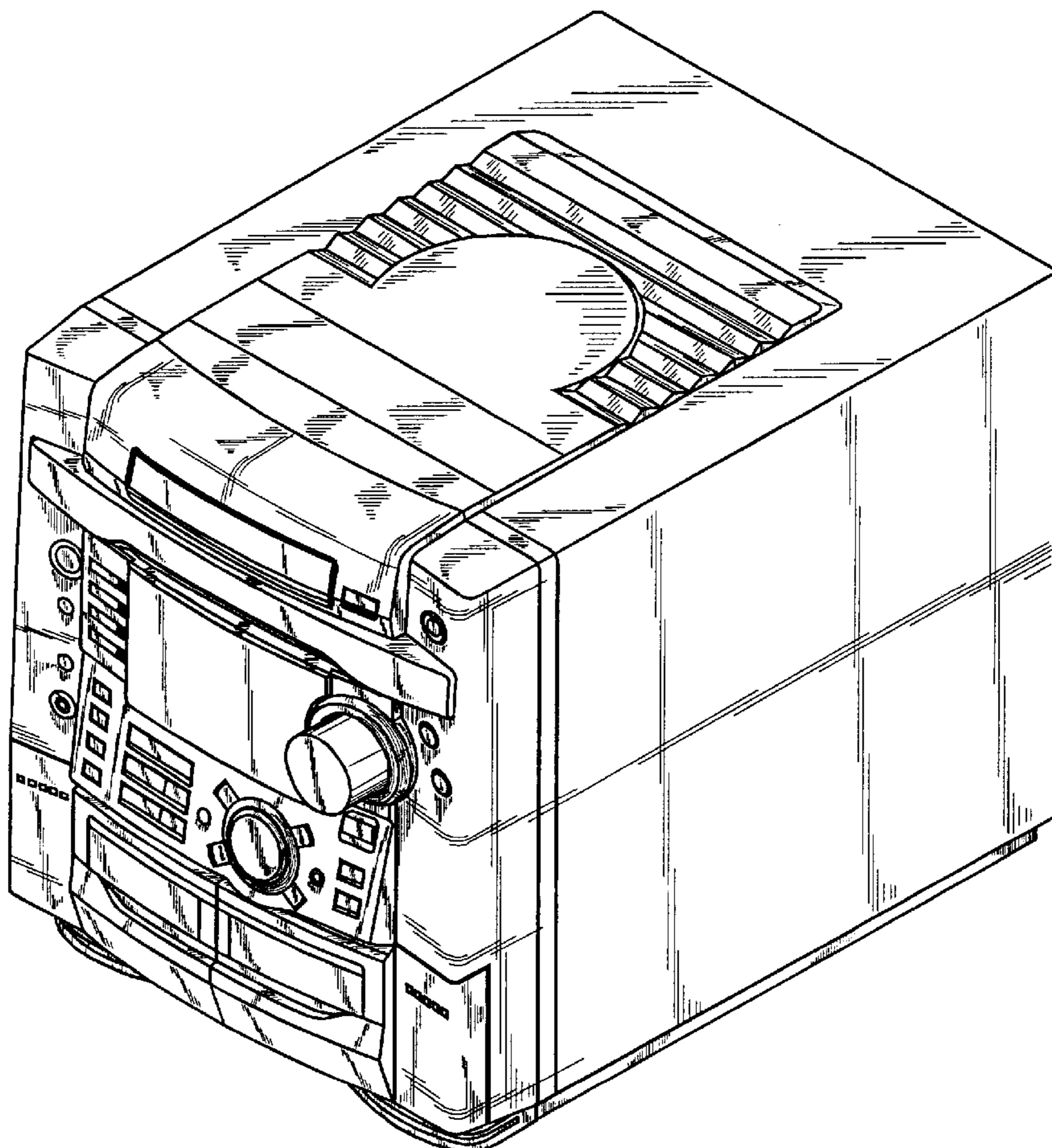
(57) **CLAIM**

The ornamental design for a combined disc player, radio receiver and tape player, as shown and described.

**DESCRIPTION**

FIG. 1 is a perspective view of a combined disc player, radio receiver and tape player showing my design;  
FIG. 2 is a top plan view thereof;  
FIG. 3 is a bottom plan view thereof;  
FIG. 4 is a left side elevational view thereof;  
FIG. 5 is a right side elevational view thereof;  
FIG. 6 is a front elevational view thereof; and,  
FIG. 7 is a rear elevational view thereof.

**1 Claim, 4 Drawing Sheets**



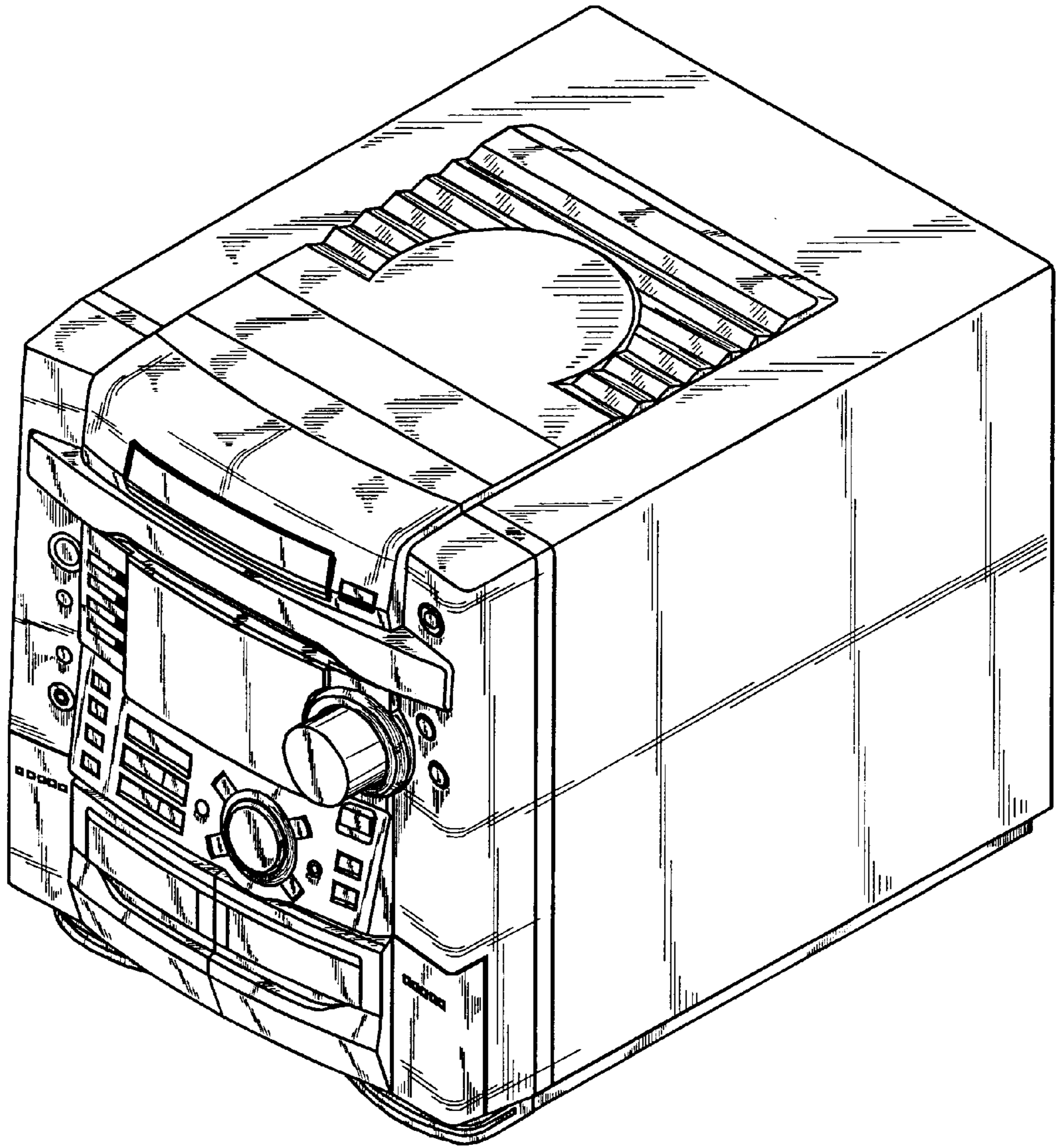
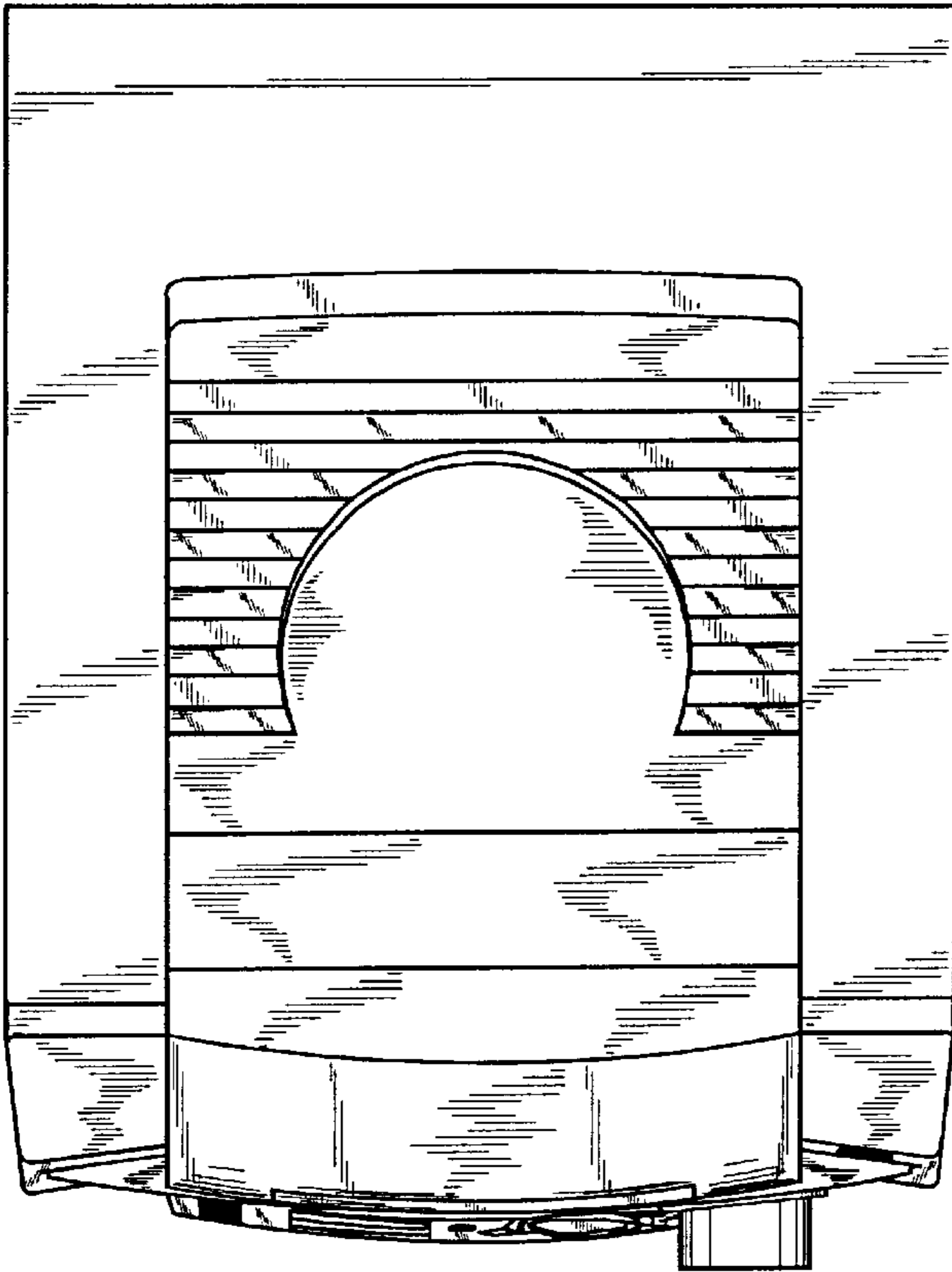
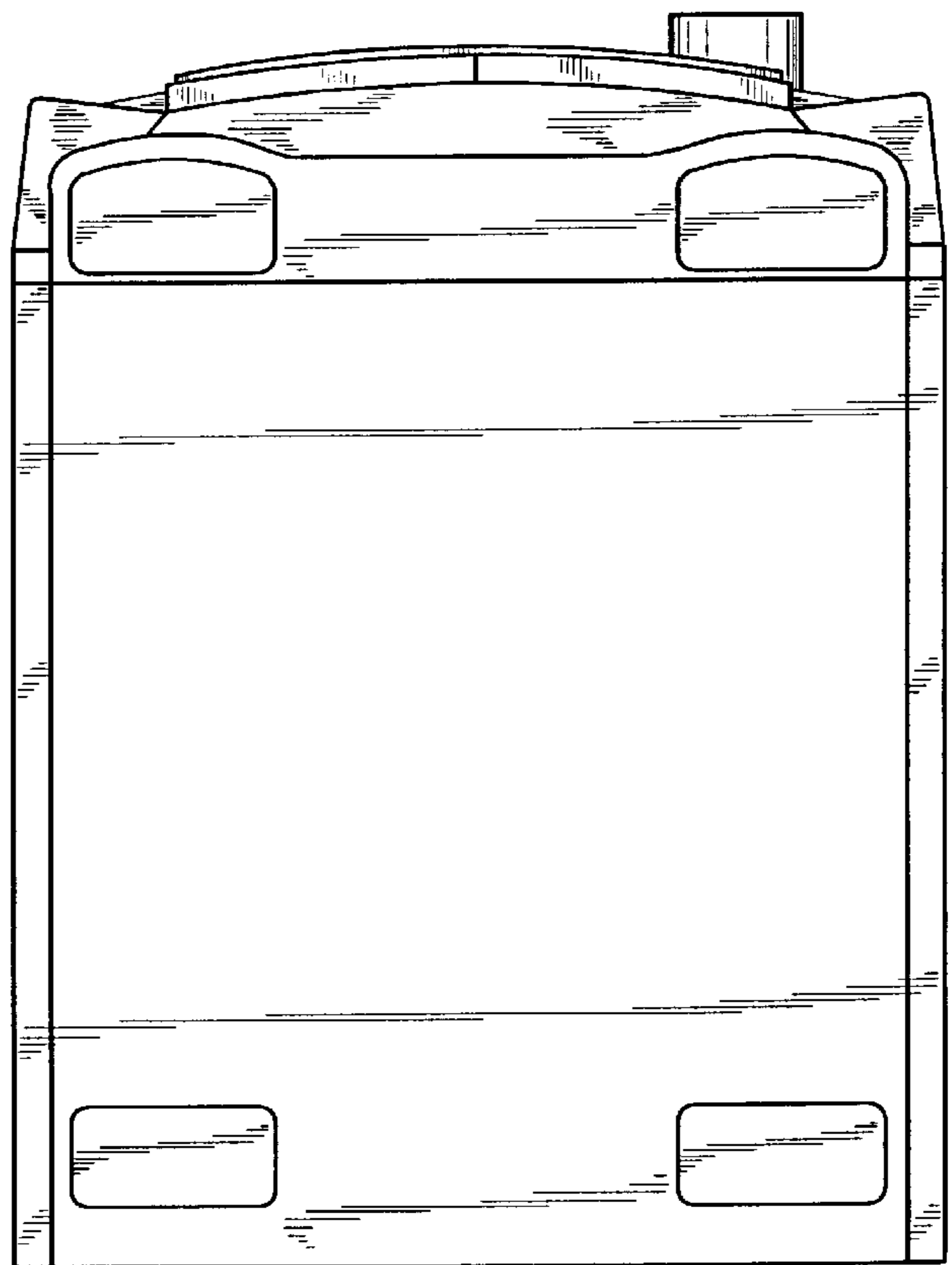


Fig. 1



**Fig. 2**



**Fig. 3**

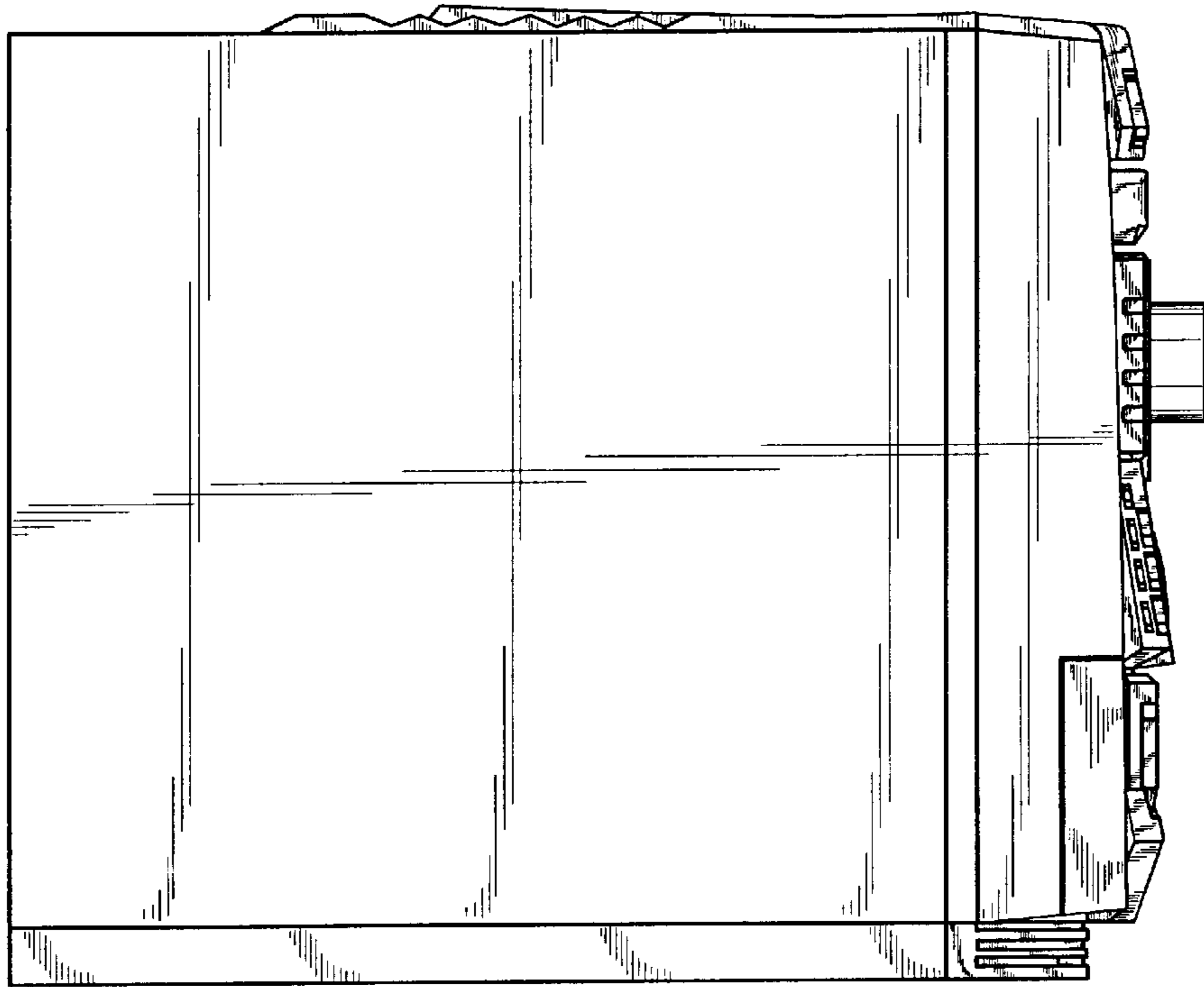


Fig. 4

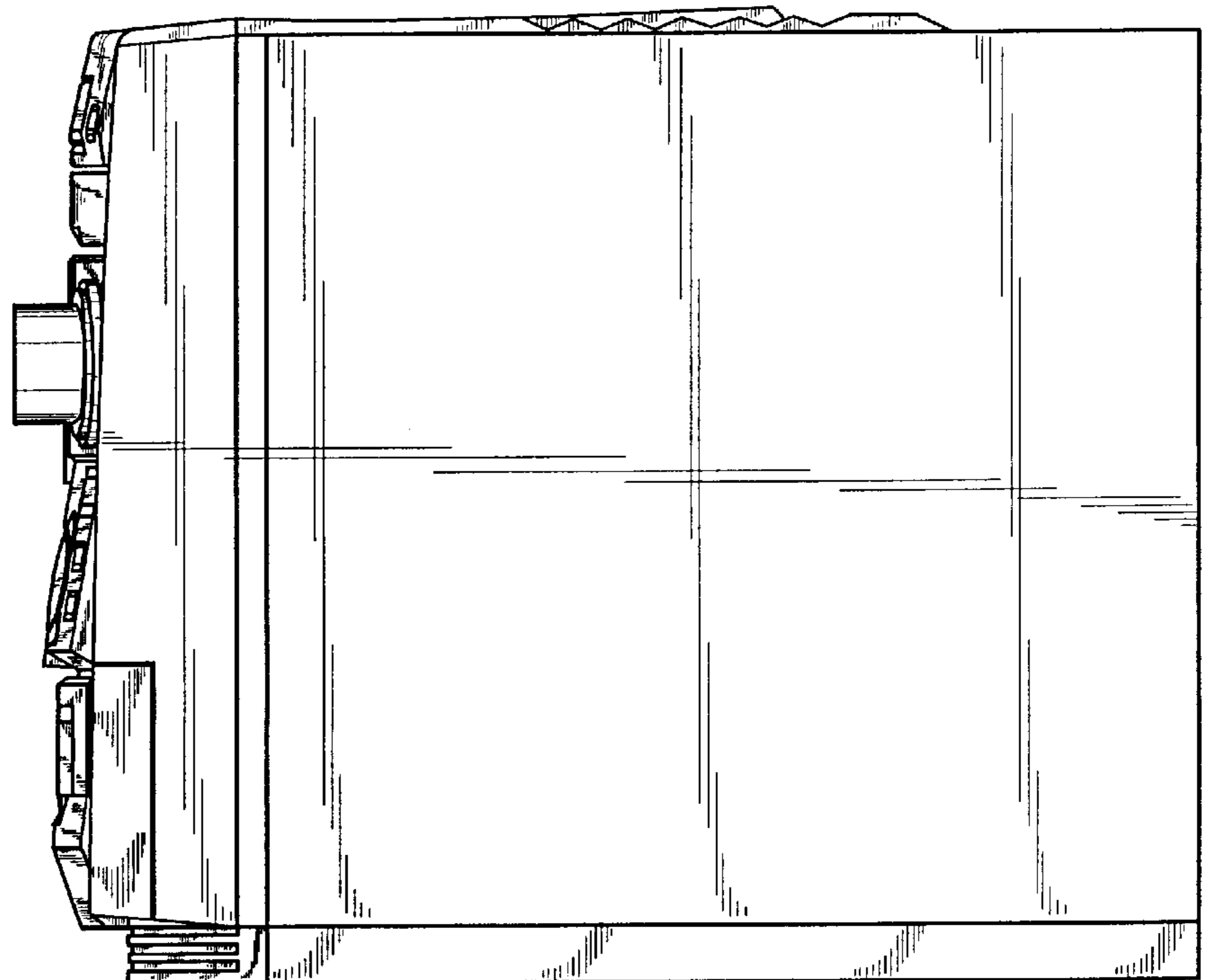


Fig. 5

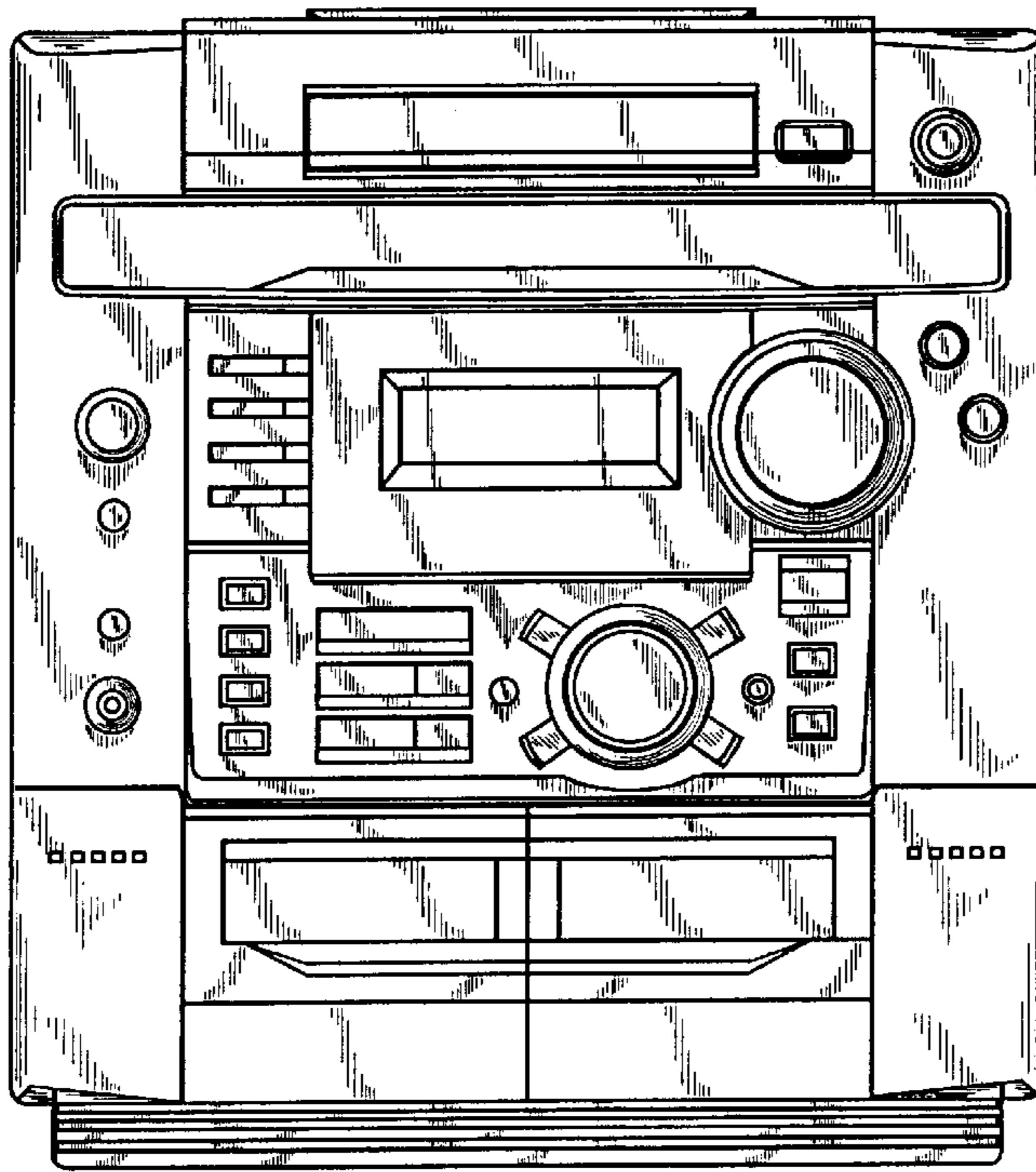


Fig. 6

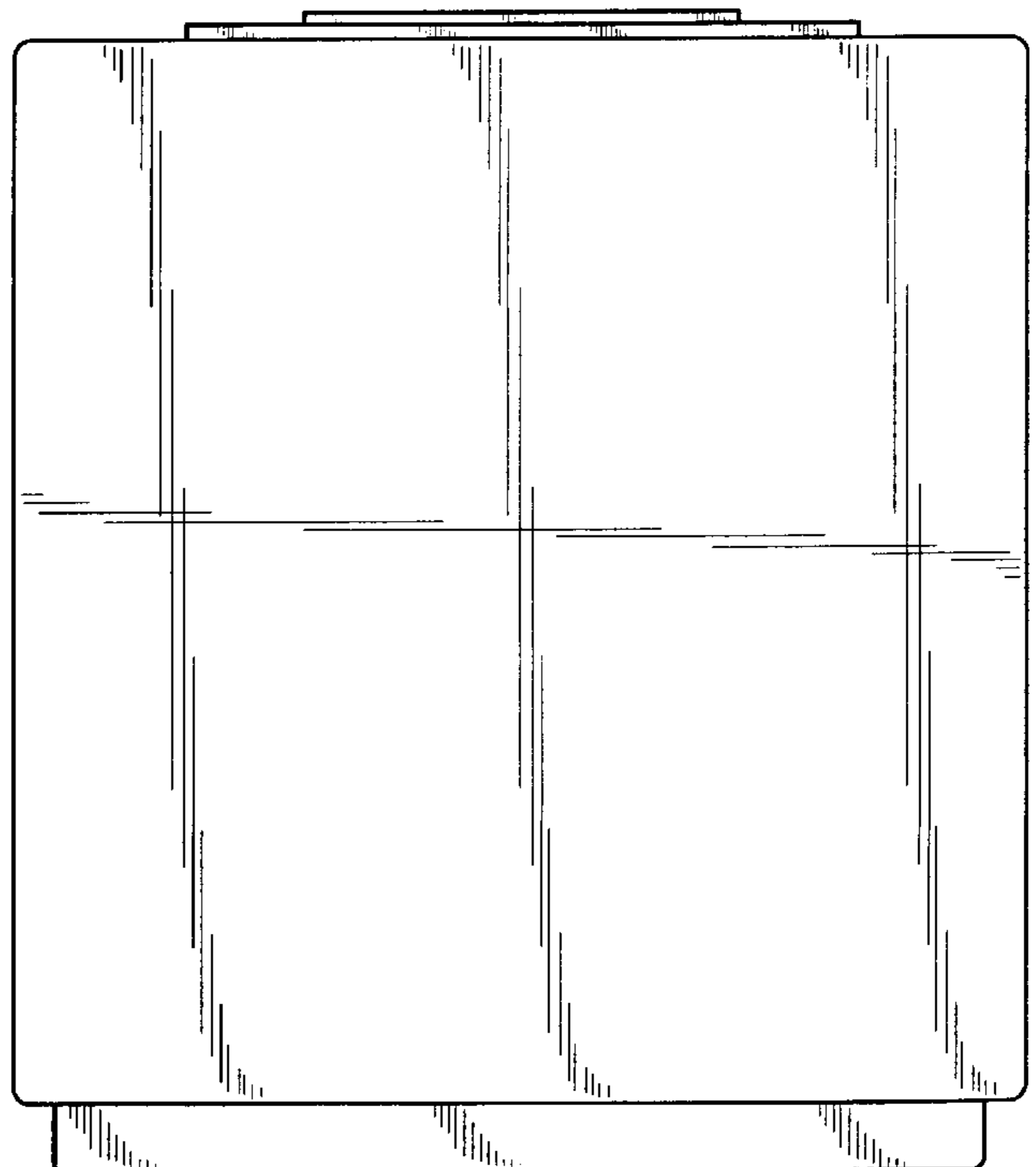


Fig. 7