



US00D436935S

(12) **United States Design Patent**
Feucht

(10) **Patent No.:** **US D436,935 S**

(45) **Date of Patent:** **** Jan. 30, 2001**

(54) **ENCLOSURE FOR A CONSUMER ELECTRONIC DEVICE**

(75) **Inventor:** **Christian C. Feucht**, Nevada City, CA (US)

(73) **Assignee:** **Constant Velocity Transmission Lines, Inc.**, Rocklin, CA (US)

(**) **Term:** **14 Years**

(21) **Appl. No.:** **29/118,948**

(22) **Filed:** **Feb. 17, 2000**

(51) **LOC (7) Cl.** **13-03**

(52) **U.S. Cl.** **D13/184; D13/133; D13/154**

(58) **Field of Search** **D13/133, 151, D13/154, 184; 439/394, 578, 583, 606, 660**

(56) **References Cited**

U.S. PATENT DOCUMENTS

- D. 249,139 * 8/1978 Lin D14/230
- D. 425,487 * 5/2000 Lee D13/154

* cited by examiner

Primary Examiner—Joel Sincavage

(74) *Attorney, Agent, or Firm*—Sierra Patent Group, Ltd.

(57) **CLAIM**

The ornamental design for an enclosure for a consumer electronic device, as shown and described.

DESCRIPTION

FIG. 1 is a view from the top, side and one end of an enclosure for a consumer electronic device showing my new design in full lines with the broken lines showing environmental association matter being for illustrative purposes only and forming no part of my design;

FIG. 2 is a top view thereof shown in full lines and environmental association matter in broken lines;

FIG. 3 is a top view thereof shown in full lines and environmental association matter in broken lines;

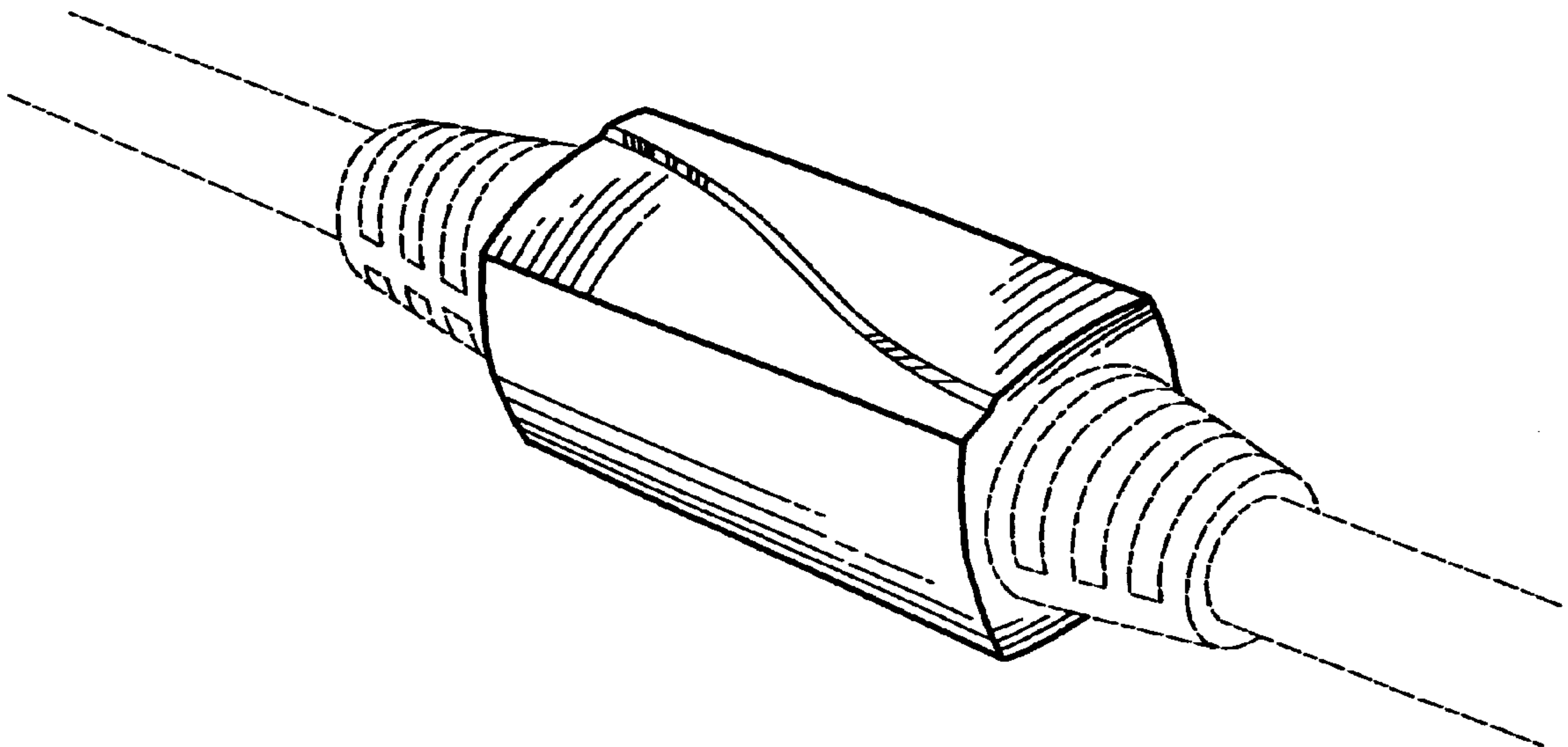
FIG. 4 is a side view thereof shown in full lines and environmental association matter in broken lines;

FIG. 5 is a side view thereof shown in full lines and environmental association matter in broken lines;

FIG. 6 is an end view thereof shown in full lines and environmental association matter in broken lines; and,

FIG. 7 is an end view thereof shown in full lines and environmental association matter in broken lines.

1 Claim, 4 Drawing Sheets



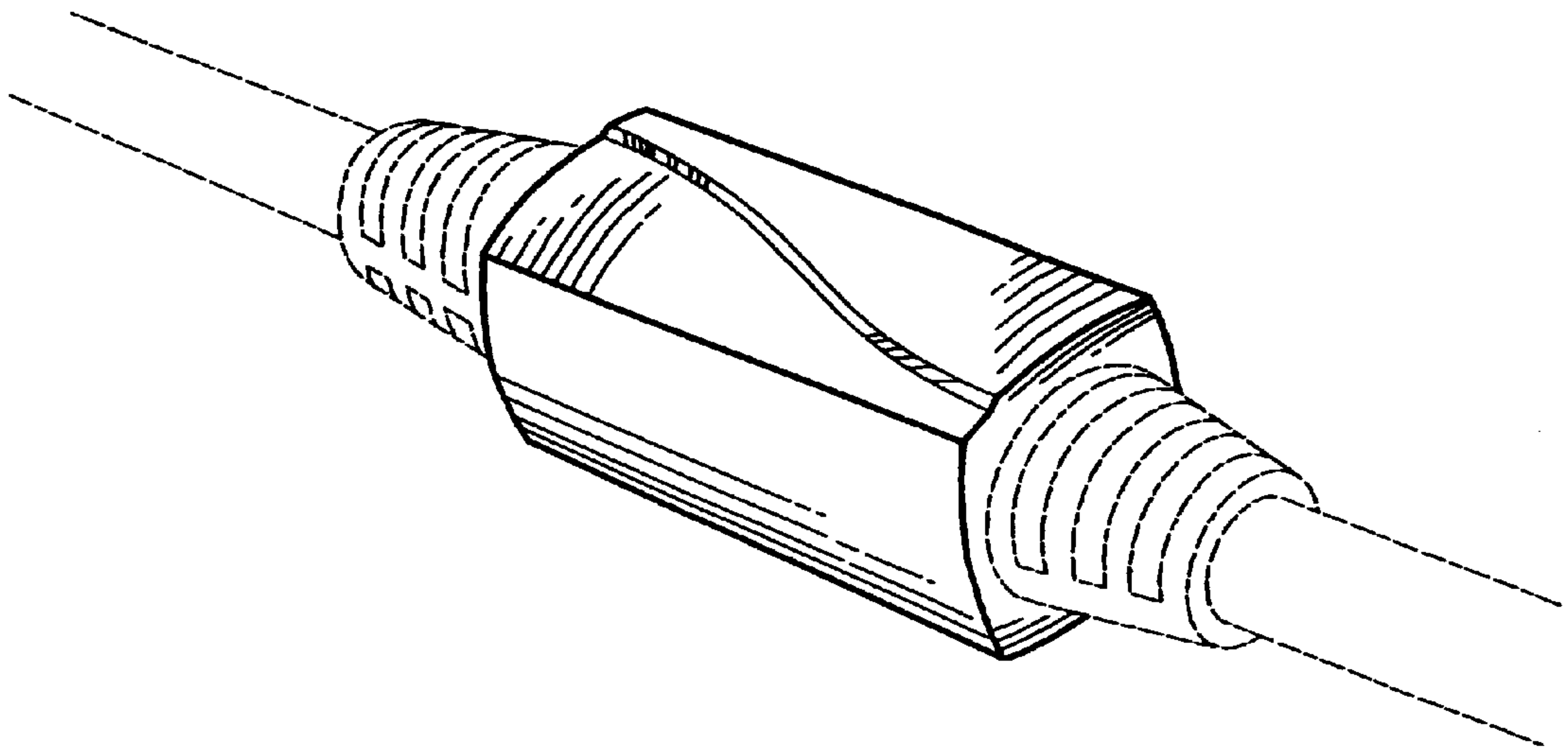


Fig. 1

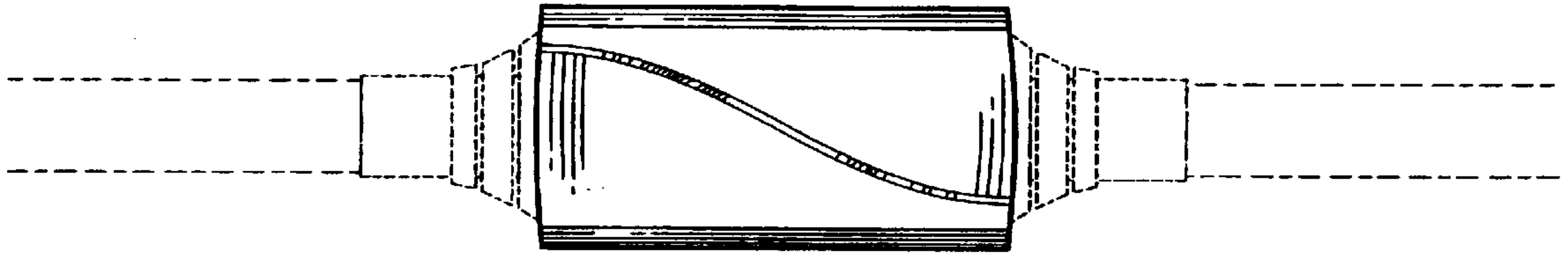


Fig. 2

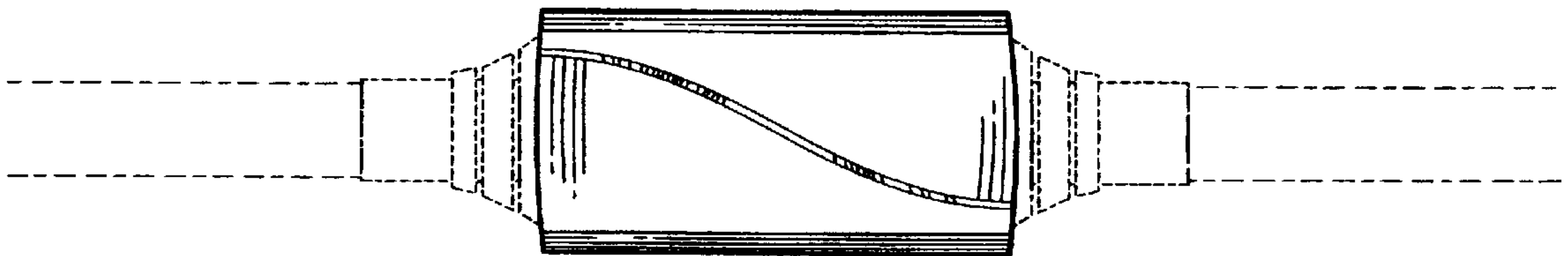


Fig. 3

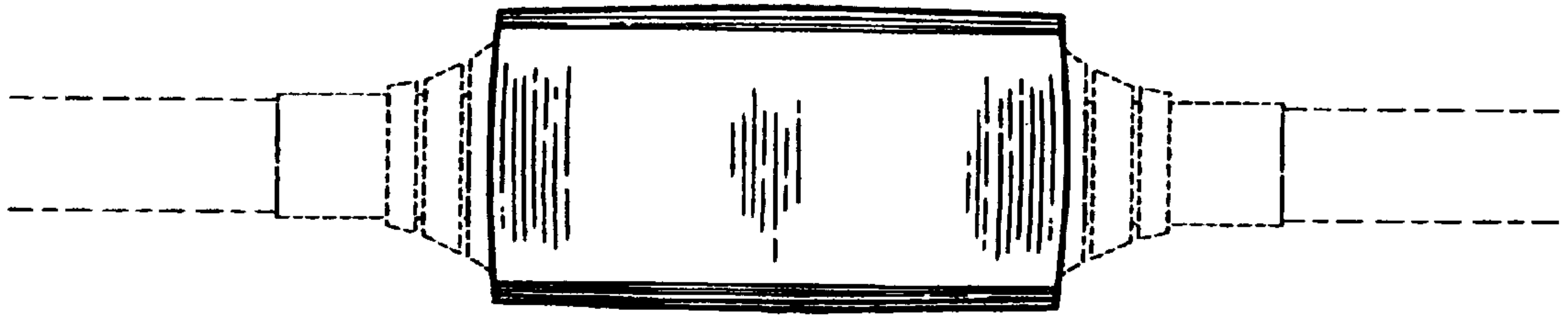


Fig. 4

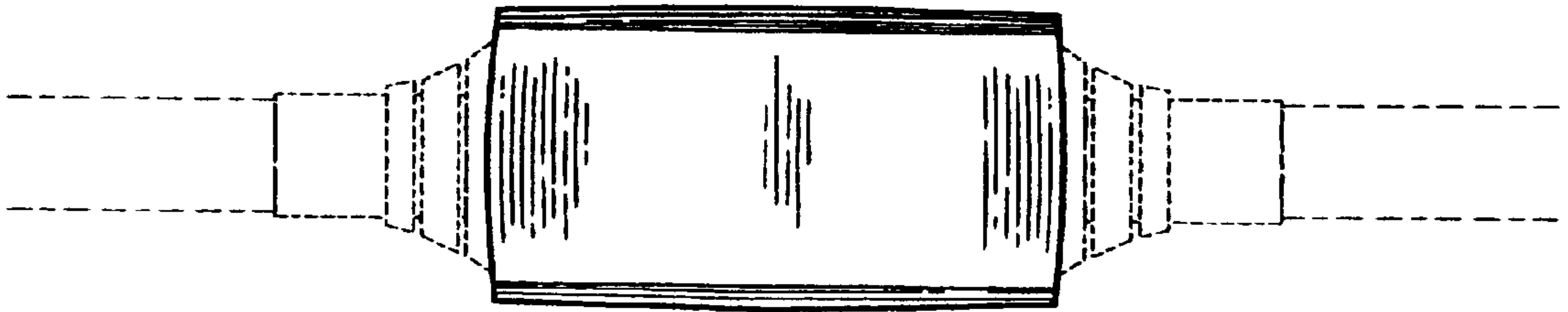


Fig. 5

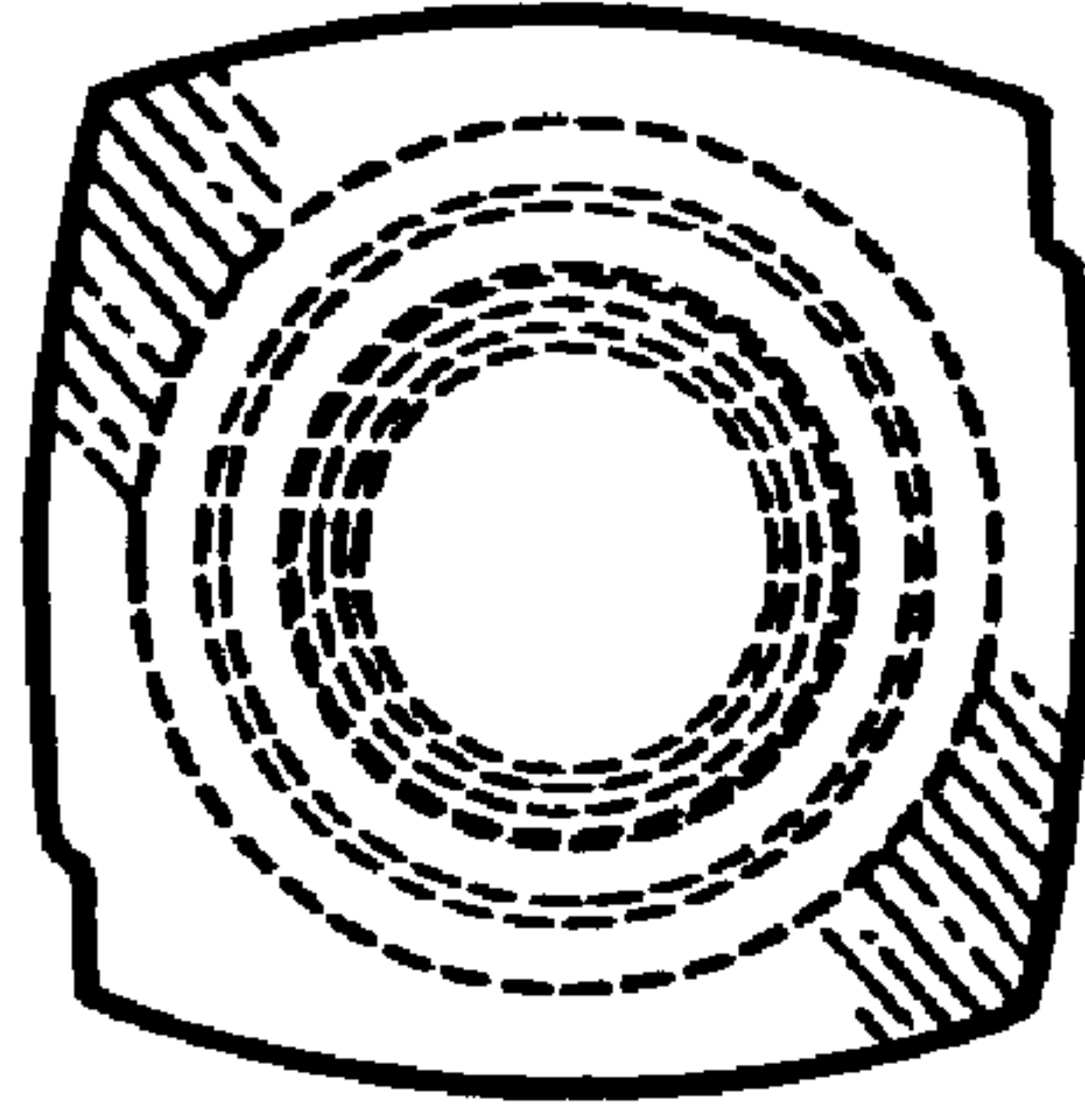


Fig. 6

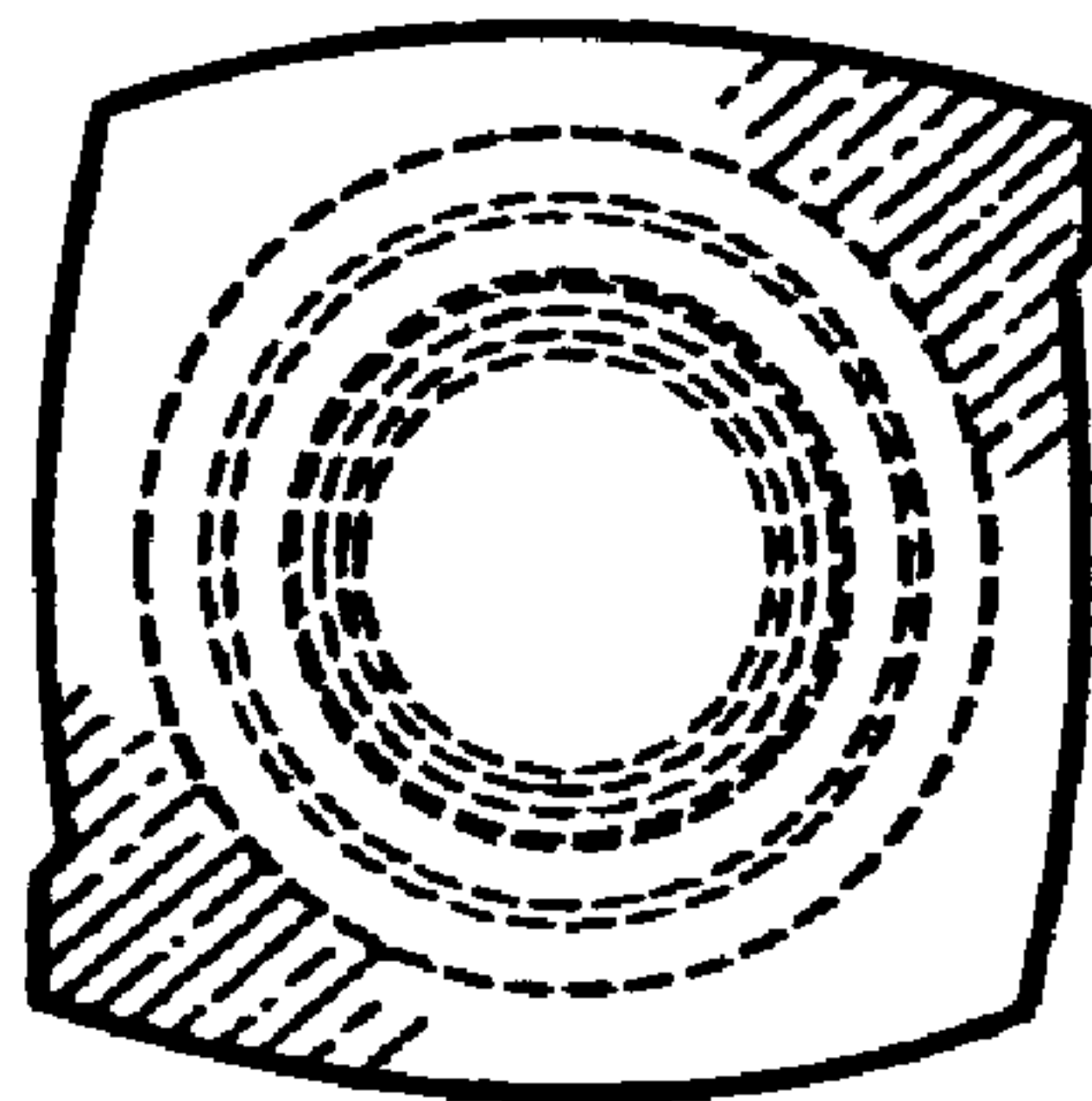


Fig. 7