



US00D436933S

(12) **United States Design Patent**
Armstrong

(10) **Patent No.:** **US D436,933 S**

(45) **Date of Patent:** **** Jan. 30, 2001**

(54) **REMOTE ENTRY KEYPAD AND ENCLOSURE**

(75) Inventor: **Steven Armstrong**, Anaheim Hills, CA (US)

(73) Assignee: **Emhart Inc.**, Newark, DE (US)

(**) Term: **14 Years**

(21) Appl. No.: **29/116,044**

(22) Filed: **Dec. 23, 1999**

(51) **LOC (7) Cl.** **14-03**

(52) **U.S. Cl.** **D13/168**

(58) **Field of Search** D13/158, 162,
D13/168; D14/218; D21/324; 340/825.22,
825.24, 825.25, 825.29, 825.31, 825.72;
455/151.2, 151.3, 151.4

(56) **References Cited**

U.S. PATENT DOCUMENTS

- D. 307,432 * 4/1990 Usami et al. D14/218
- D. 319,430 8/1991 Cheng .
- D. 348,653 * 7/1994 Cheng D13/168
- D. 367,061 * 2/1996 Davison D14/218
- D. 373,998 * 9/1996 Tutt et al. D13/168
- D. 377,320 1/1997 McGuire .
- D. 381,992 8/1997 Nakamura et al. .
- D. 387,061 * 12/1997 Nozoe D14/218
- D. 389,838 1/1998 Brunner et al. .
- D. 401,565 11/1998 Smith et al. .
- D. 408,384 4/1999 Hata et al. .

D. 416,909 11/1999 Renk .

* cited by examiner

Primary Examiner—Brian N. Vinson

(74) *Attorney, Agent, or Firm*—Harness, Dickey & Pierce, P.L.C.

(57) **CLAIM**

The ornamental design for a remote entry keypad and enclosure, therefor as shown and described.

DESCRIPTION

FIG. 1 is a top, front, and left side perspective view of a remote entry keypad and enclosure showing a first embodiment of my new design;

FIG. 2 is a top plan view thereof;

FIG. 3 is a bottom plan view thereof;

FIG. 4 is a front elevational view thereof;

FIG. 5 is a left side elevational view thereof;

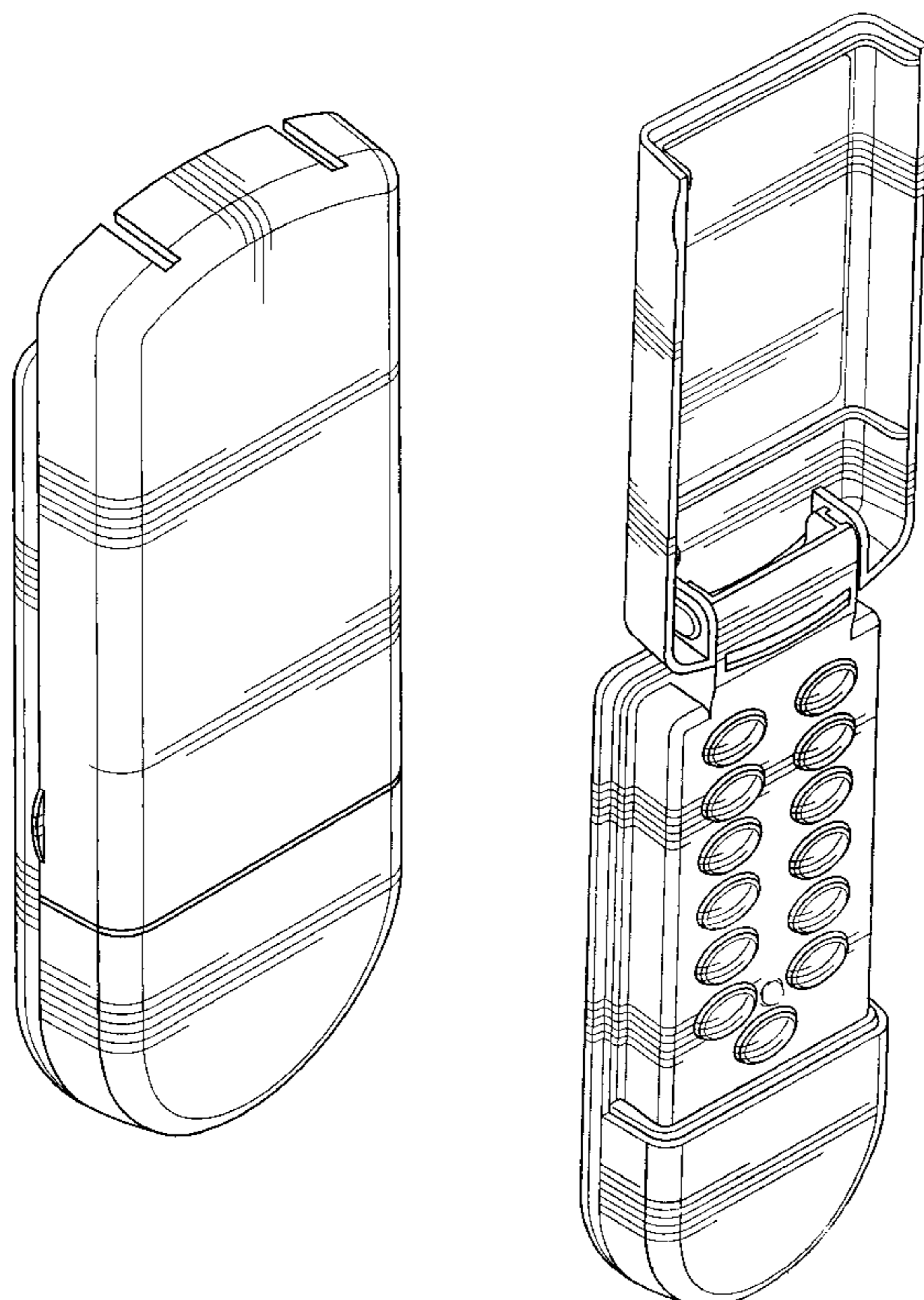
FIG. 6 is a right side elevational view thereof;

FIG. 7 is a top, front, and left side perspective view thereof, with the hinged door moved to an open position, and the broken-line disclosure of a keypad being for illustrative purposes only and forming no part of the claimed design;

FIG. 8 is a top, front, and left side perspective view showing a second embodiment thereof, with the hinged door moved to an open position; and,

FIG. 9 is a front elevational view of a second embodiment thereof, with the hinged door moved to an open position. The rear elevational view forms no part of the present invention.

1 Claim, 4 Drawing Sheets



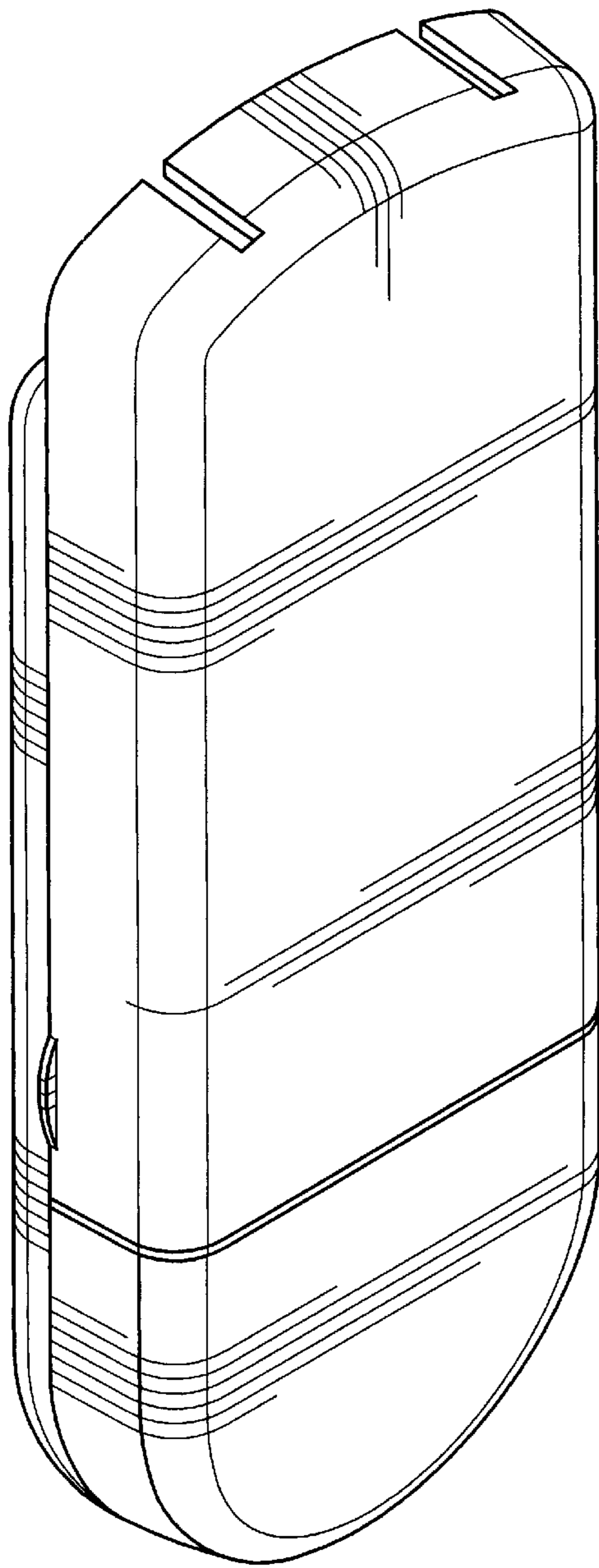


Figure 1

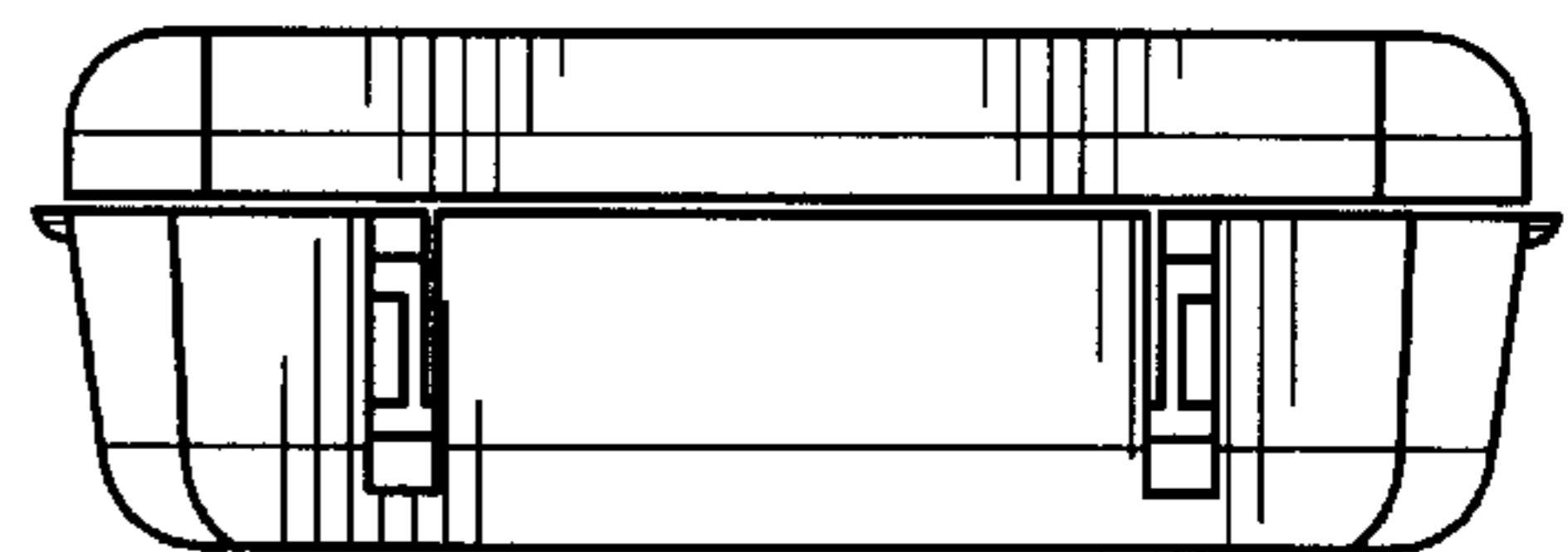


Figure 2



Figure 3

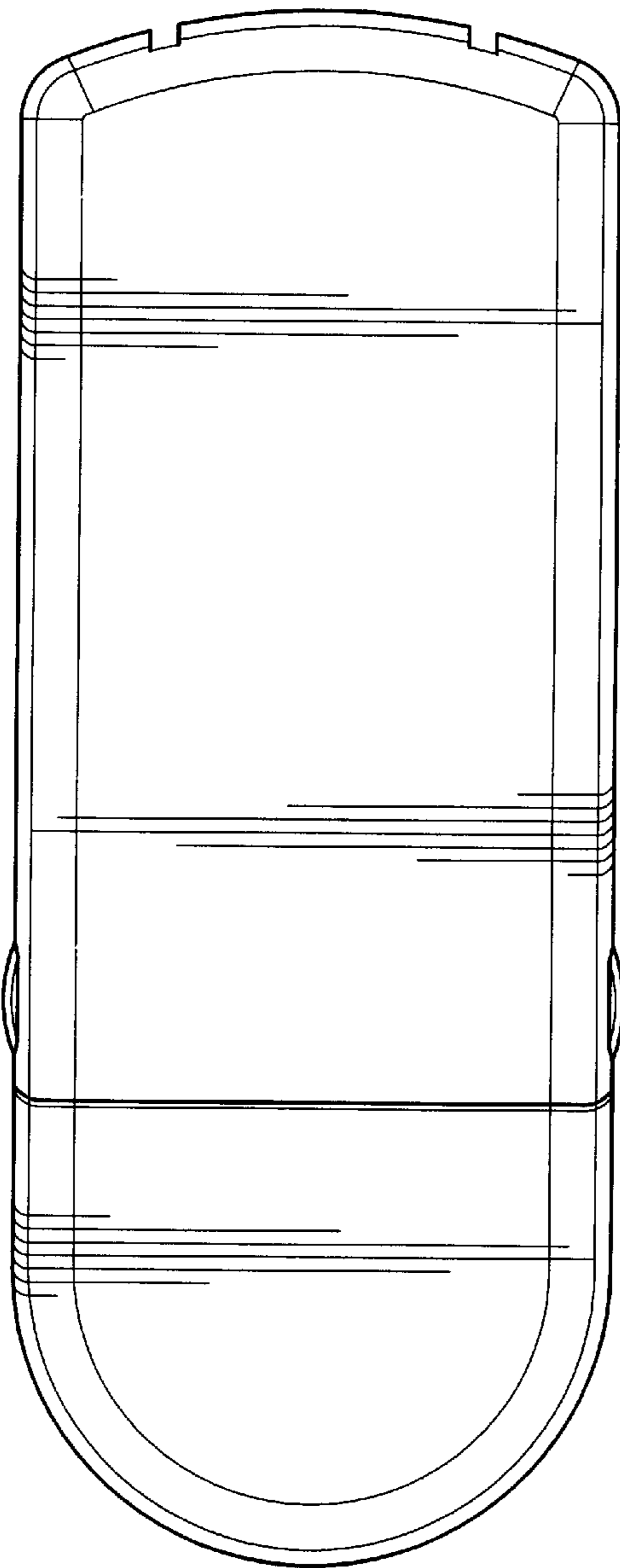


Figure 4

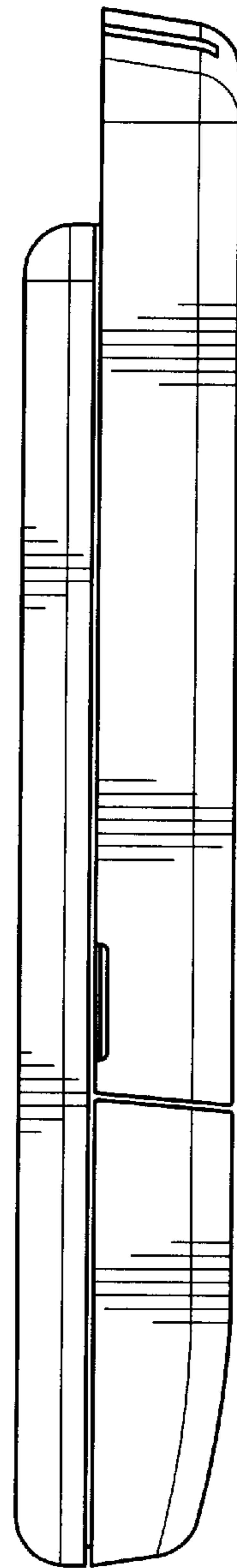


Figure 5

Figure 6

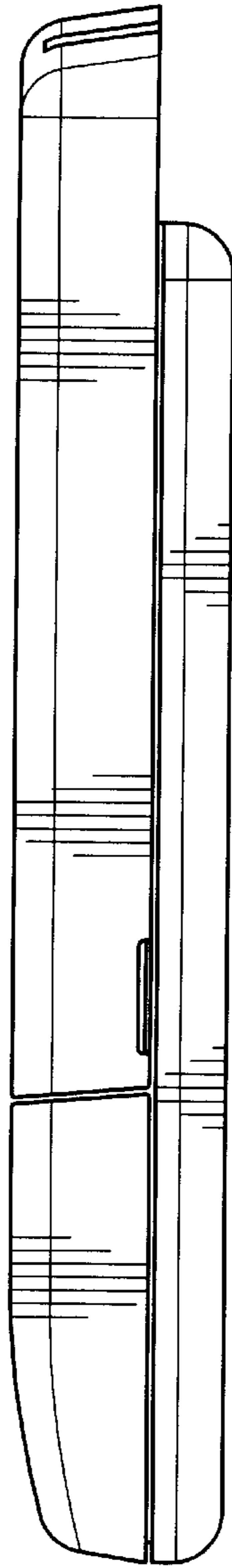
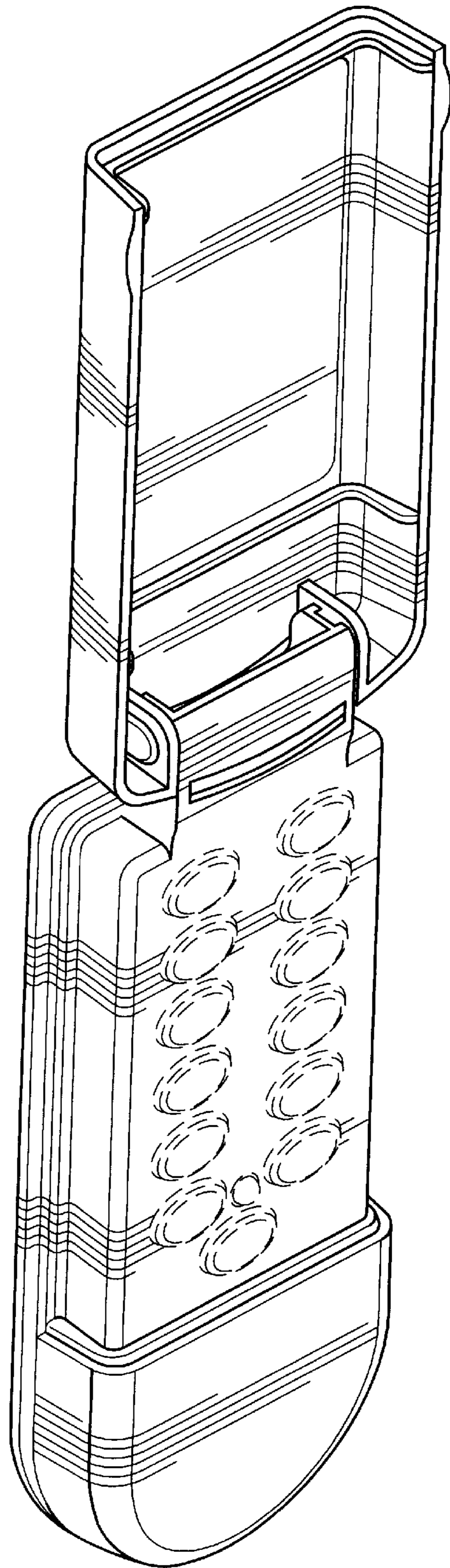


Figure 7



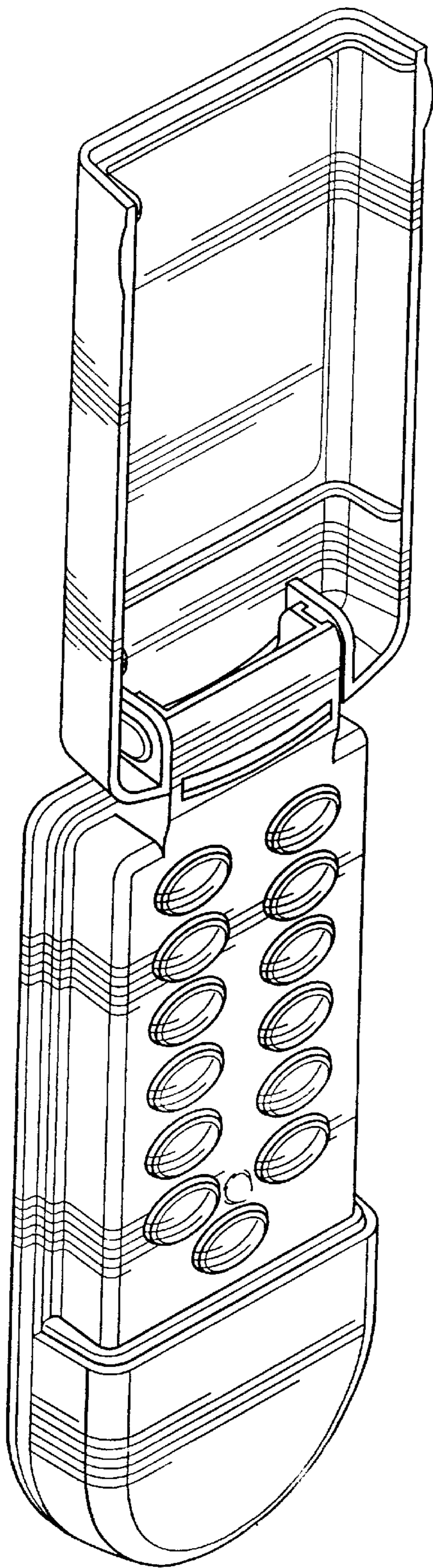


Figure 8

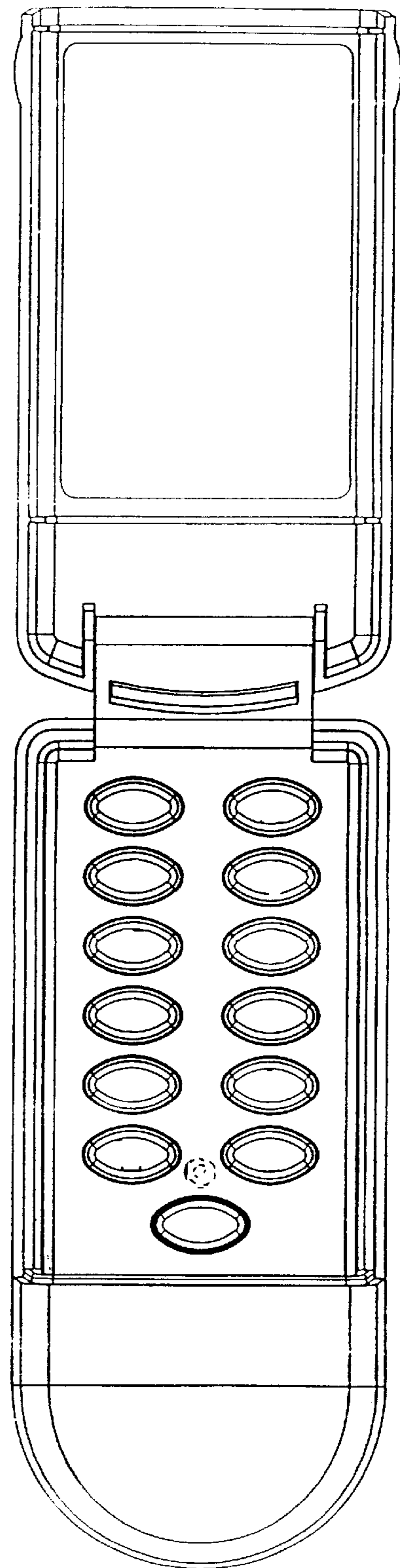


Figure 9