



US00D436926S

(12) **United States Design Patent**
Lew

(10) **Patent No.:** **US D436,926 S**

(45) **Date of Patent:** **** Jan. 30, 2001**

(54) **WALL ACCESS PANEL AND COVER PLATE**

(75) **Inventor:** **Wing G. Lew**, Los Angeles, CA (US)

(73) **Assignee:** **Sachwin Products, Inc.**, Torrance, CA (US)

(**) **Term:** **14 Years**

(21) **Appl. No.:** **29/116,414**

(22) **Filed:** **Jan. 3, 2000**

(51) **LOC (7) Cl.** **13-03**

(52) **U.S. Cl.** **D13/152; D13/156**

(58) **Field of Search** **D13/156, 177, D13/152; 174/56, 67; 220/3.8, 241, 277, 780**

3,619,477	*	11/1971	Rasmussen	174/56
3,910,448	*	10/1975	Evans et al.	220/3.8
4,359,619	*	11/1982	Bergoltz	200/333
4,988,832	*	1/1991	Shotey	174/67
5,162,612	*	11/1992	Naka et al.	174/48
5,375,728	*	12/1994	West	220/3.8
5,379,912	*	1/1995	Wolf	220/241 X
5,845,803	*	12/1998	Saito et al.	220/378
6,051,787	*	4/2000	Rintz	174/66

* cited by examiner

Primary Examiner—Joel Sincavage

(74) *Attorney, Agent, or Firm*—Frederick Gotha

(57) **CLAIM**

The ornamental design for a wall access panel and cover plate, as shown and described.

DESCRIPTION

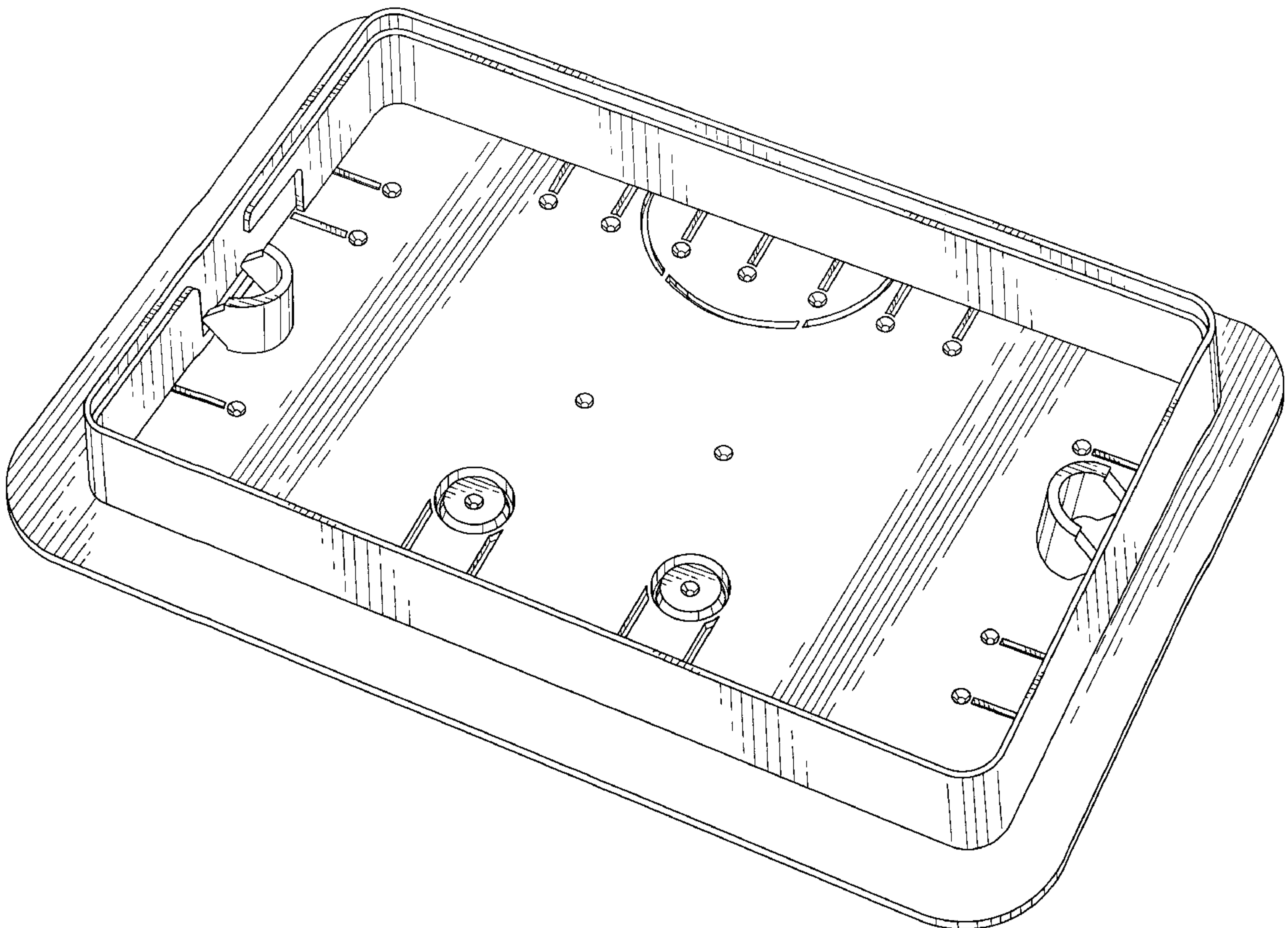
FIG. 1 is a perspective view of a wall access panel cover plate showing my new design;
FIG. 2 is a top plan view thereof;
FIG. 3 is a front elevational plan view thereof;
FIG. 4 is a right side elevational view thereof and is a mirror image of the left side elevational view; and,
FIG. 5 is a bottom plan view thereof.

1 Claim, 3 Drawing Sheets

(56) **References Cited**

U.S. PATENT DOCUMENTS

D. 276,311	*	11/1984	Cournoyer et al.	D8/400
D. 298,494	*	11/1988	Mockett	D6/491
D. 335,279	*	5/1993	Parduhn	D13/118
D. 350,530	*	9/1994	Comerci et al.	D8/353
D. 354,903	*	1/1995	Mockett	D8/356
3,155,808	*	11/1964	Wiley	174/66 X
3,438,534	*	4/1969	Zerwes	220/241



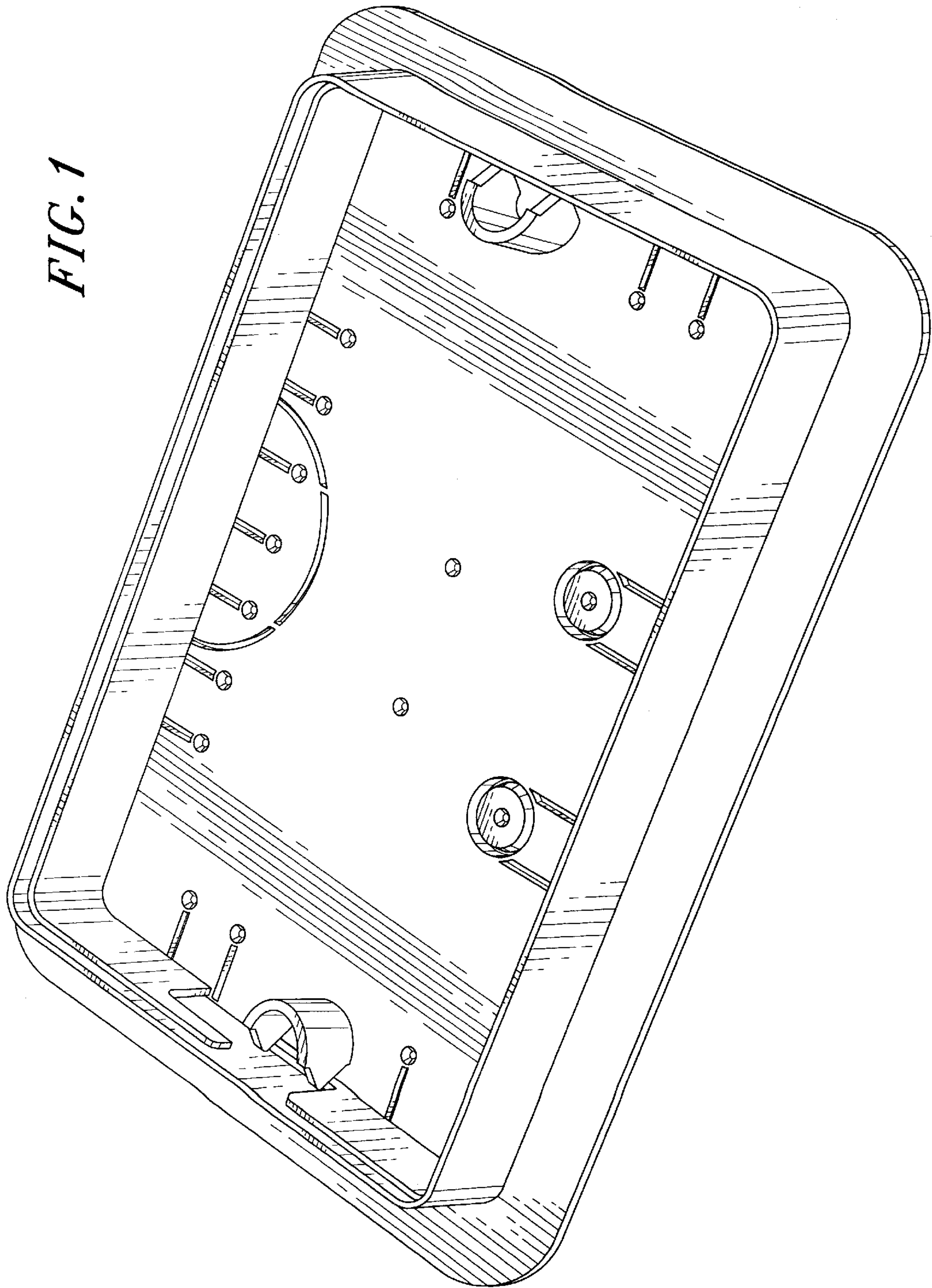


FIG. 1

FIG. 4

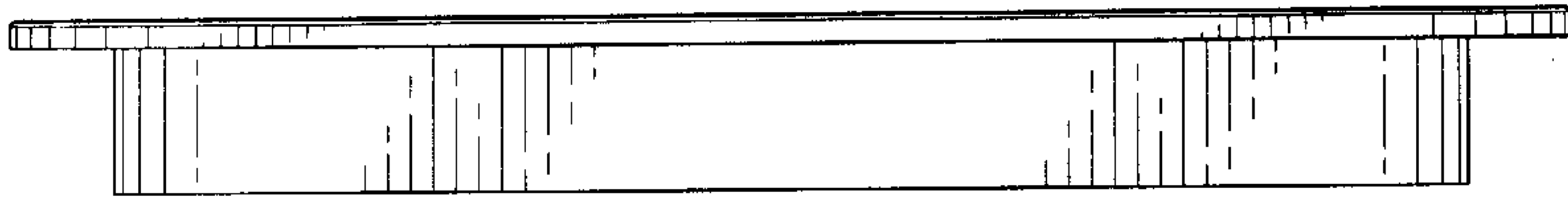


FIG. 2

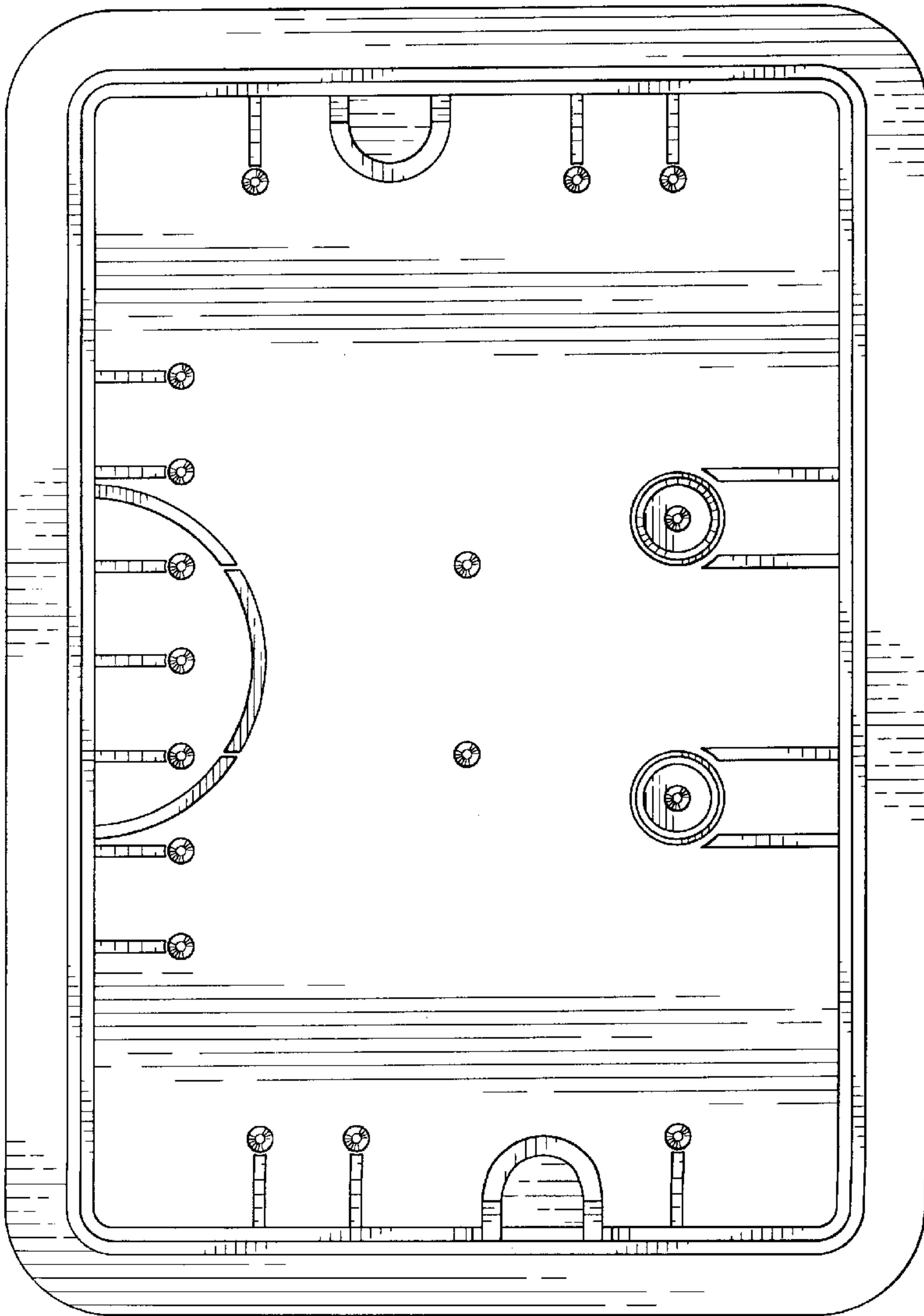


FIG. 3



FIG. 5

