



US00D436922S

(12) **United States Design Patent**
Stekelenburg

(10) **Patent No.:** **US D436,922 S**

(45) **Date of Patent:** **** Jan. 30, 2001**

(54) **POWER STRIP**

5,057,039 * 10/1991 Persing et al. 439/574

(75) Inventor: **Albert Stekelenburg**, Taipei (TW)

* cited by examiner

(73) Assignee: **All-Line Inc.**, Taipei (TW)

Primary Examiner—Susan J. Lucas

Assistant Examiner—Jennifer Rivard

(**) Term: **14 Years**

(74) *Attorney, Agent, or Firm*—Dougherty & Troxell

(21) Appl. No.: **29/122,947**

(57) **CLAIM**

(22) Filed: **May 8, 2000**

The ornamental design for a power strip, as shown and described.

(51) **LOC (7) Cl.** **13-03**

DESCRIPTION

(52) **U.S. Cl.** **D13/139.8**

(58) **Field of Search** 439/107, 574,
439/575, 650-652, 527; D13/139.6-139.7,
139.8; 174/66, 67

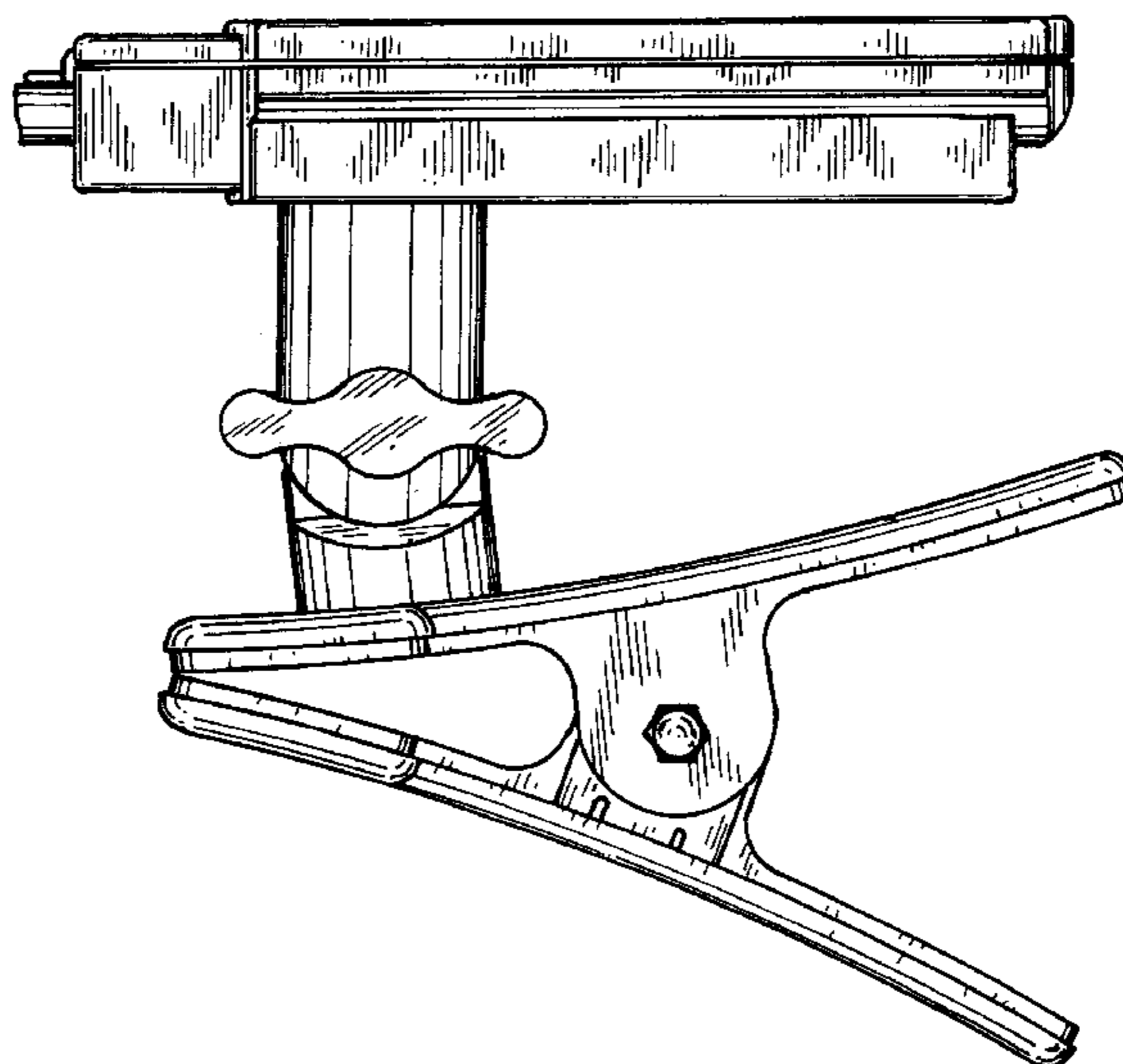
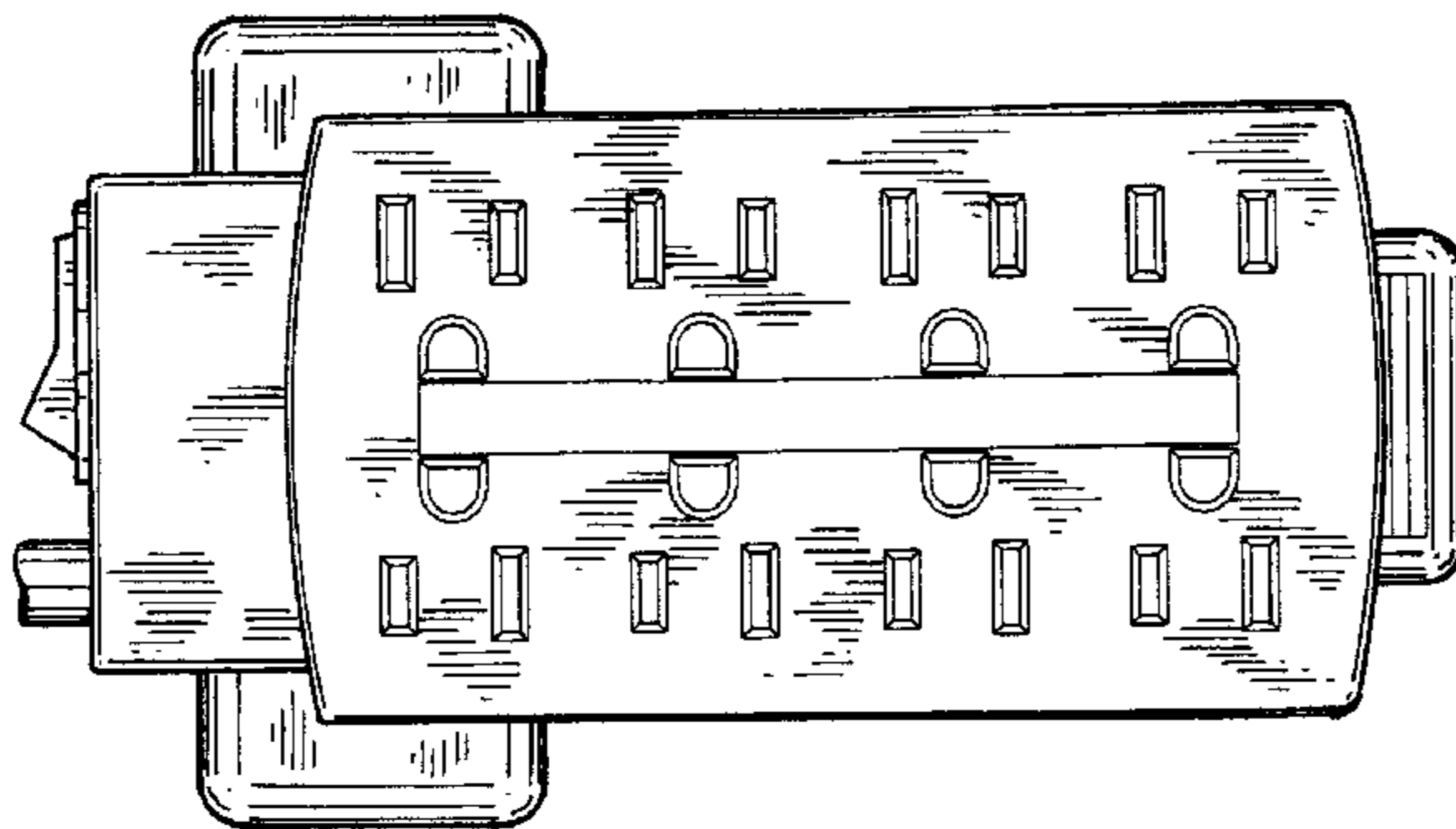
FIG. 1 is a front view of a power strip showing the preferred embodiment of my new design;
FIG. 2 is a bottom view thereof;
FIG. 3 is a top elevational view thereof;
FIG. 4 is a rear view thereof;
FIG. 5 is a left side elevational view thereof; and,
FIG. 6 is a right side elevational view thereof.

(56) **References Cited**

U.S. PATENT DOCUMENTS

- D. 390,190 * 2/1998 Stekelenburg D13/139.7
- D. 409,978 * 5/1999 Stekelenburg D13/139.6

1 Claim, 3 Drawing Sheets



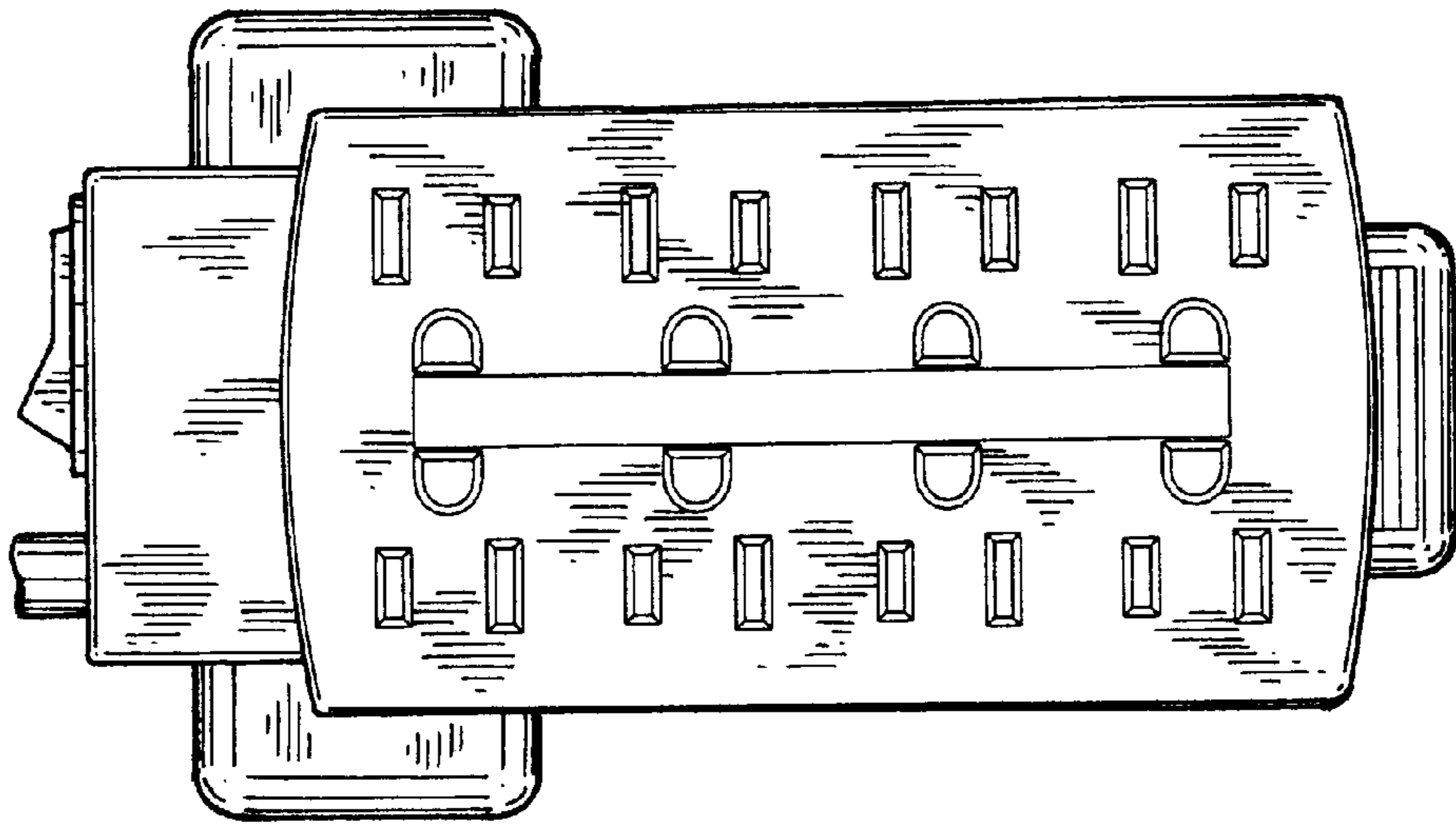


FIG. 1

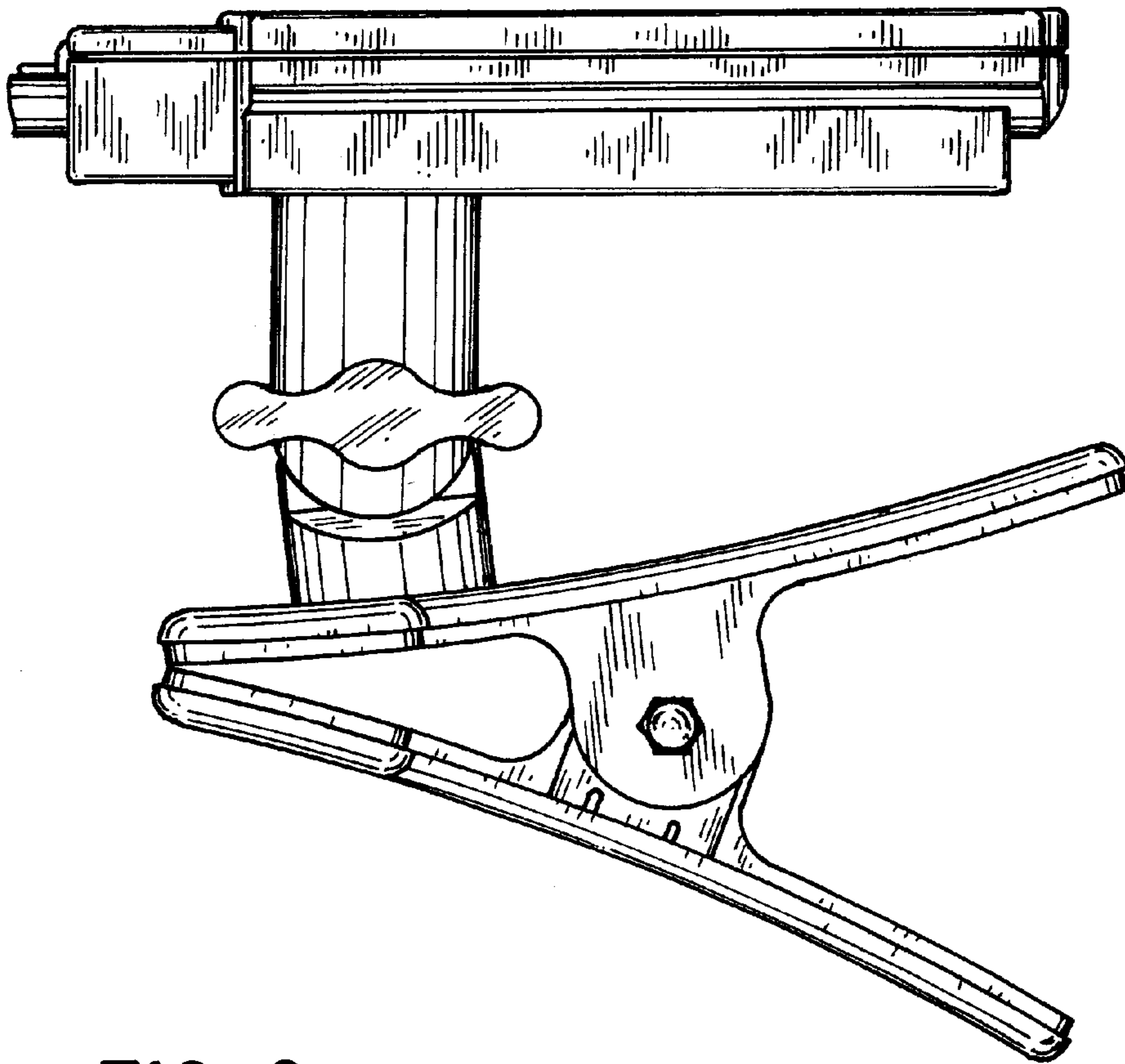


FIG. 2

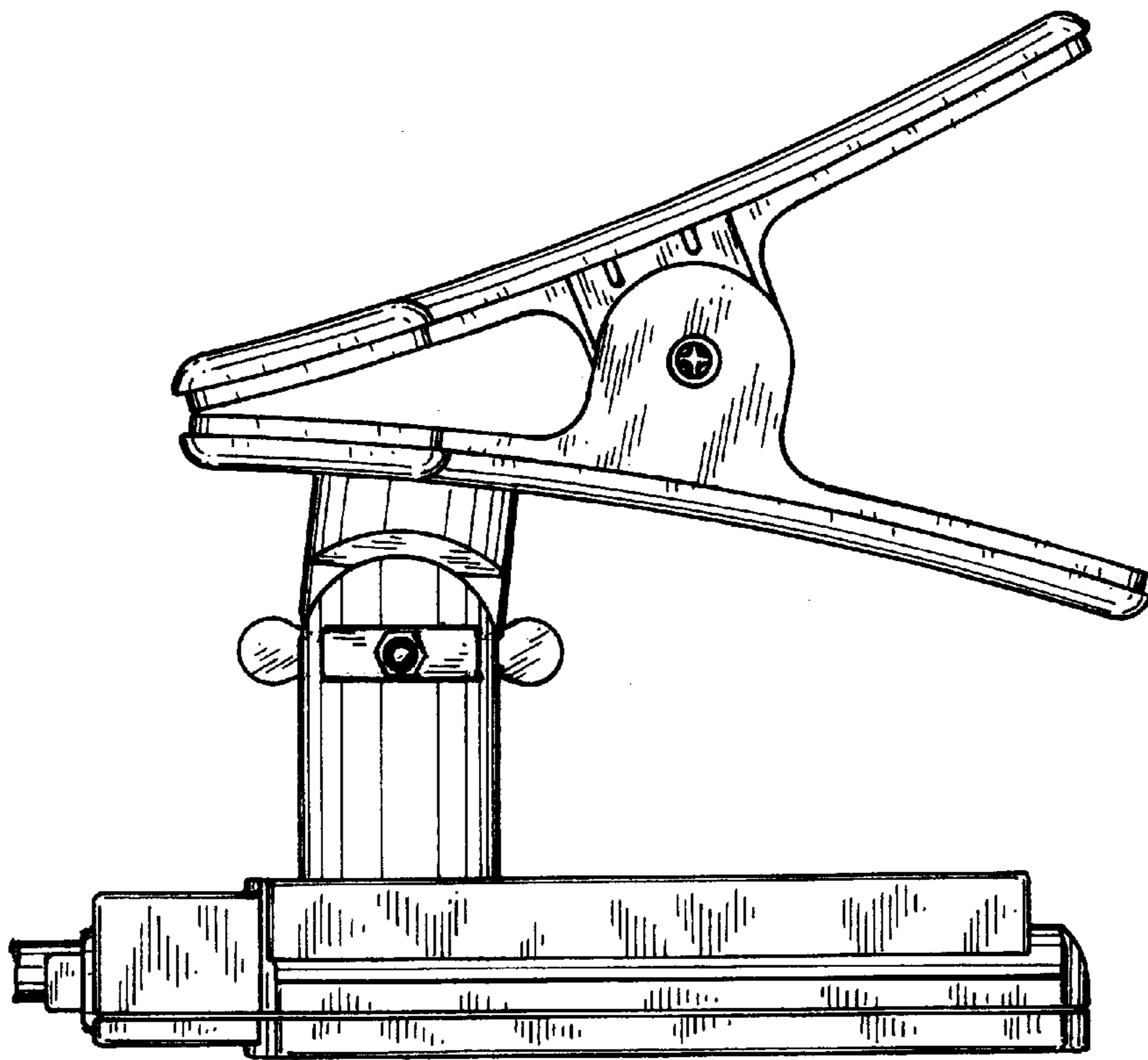


FIG. 3

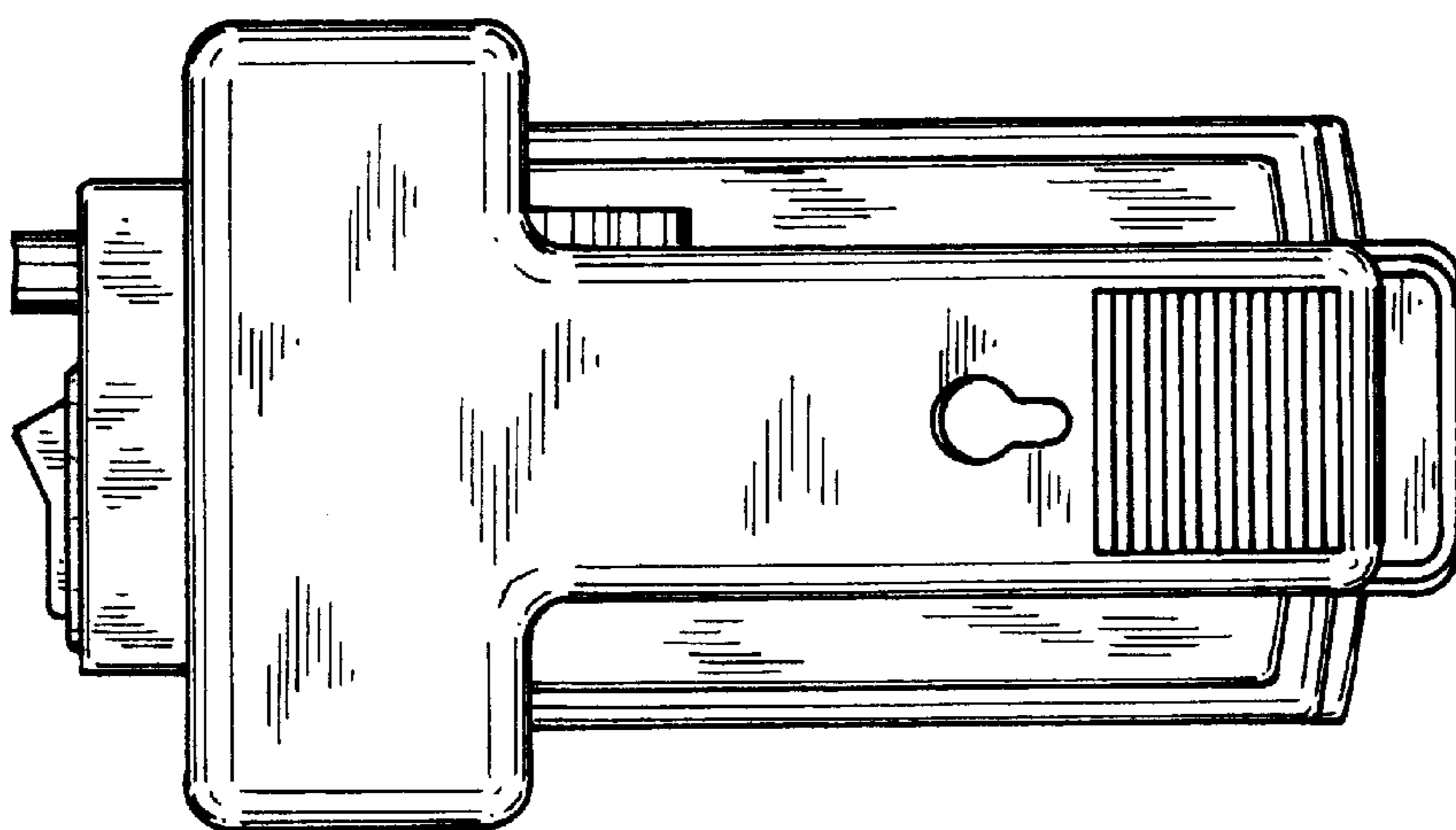


FIG. 4

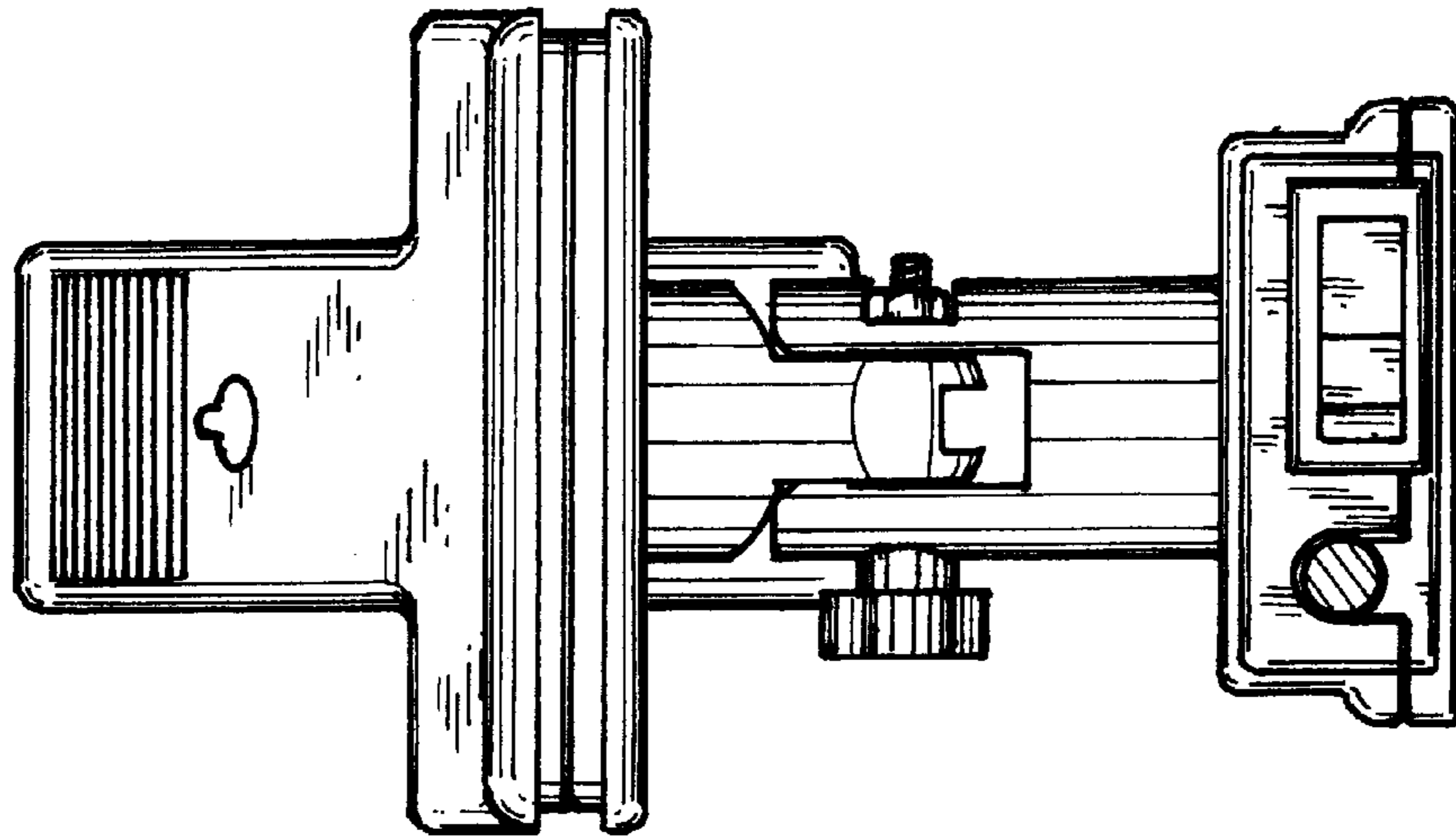


FIG. 5

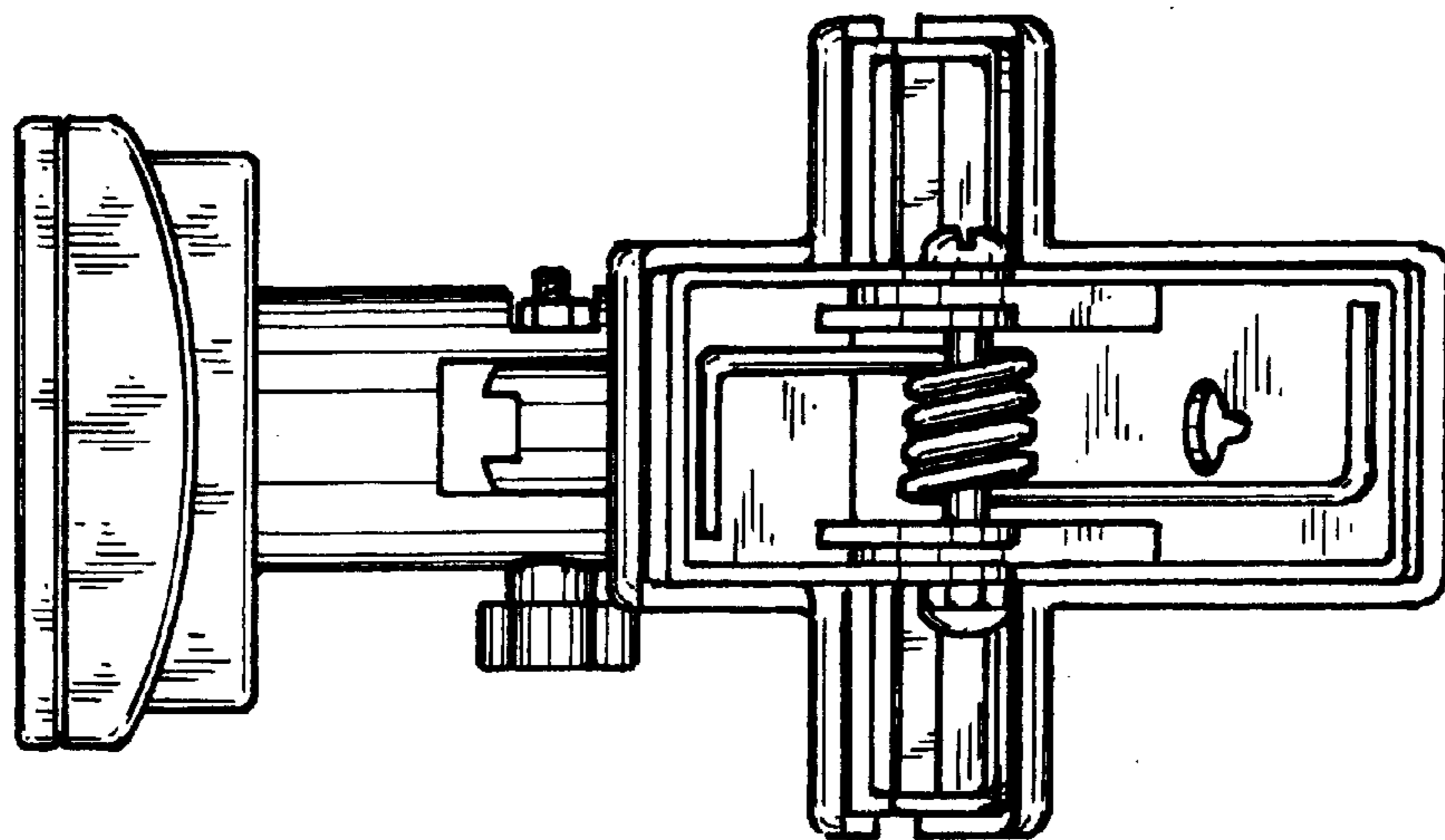


FIG. 6