



US00D436919S

(12) **United States Design Patent**
Wakefield et al.

(10) **Patent No.:** **US D436,919 S**

(45) **Date of Patent:** **** Jan. 30, 2001**

(54) **NETWORK ADAPTER**

(75) Inventors: **Scott H. Wakefield**, Andover; **Kyle D. Brookshire**, Arlington; **Niall G. Deloughry**, Concord; **Benjamin K. Misrahi**, Watertown, all of MA (US); **Steven B. Chase**, Cupertino; **Gregory M. Hogan**, Dublin, both of CA (US)

(73) Assignee: **2Wire, Inc.**, San Jose, CA (US)

(**) Term: **14 Years**

(21) Appl. No.: **29/124,810**

(22) Filed: **Jun. 12, 2000**

(51) **LOC (7) Cl.** **13-01**

(52) **U.S. Cl.** **D13/110; D14/433**

(58) **Field of Search** **D13/110, 123, D13/146, 147; D14/433; 363/146**

(56) **References Cited**

U.S. PATENT DOCUMENTS

D. 231,540	*	4/1974	Muller et al.	D13/110
D. 350,113	*	8/1994	Nagele	D13/110
D. 367,039	*	2/1996	Loh	D13/147
D. 386,473	*	11/1997	England et al.	D13/147
D. 416,226	*	11/1999	Lohrding et al.	D13/110
D. 418,487	*	1/2000	Gallahan et al.	D14/100
D. 425,021	*	5/2000	Ko	D13/123
4,939,623	*	7/1990	Equi et al.	361/752

OTHER PUBLICATIONS

Netgear Phoneline 10X USB Adapter, Model PA101; www.netgear.com.

D-Link DHN-120—10Mb Home Phoneline Network Adapter; <http://www.dlink.com/products/adapters/dhn120/>; Sep. 30, 2000.

* cited by examiner

Primary Examiner—Joel Sincavage

(74) *Attorney, Agent, or Firm*—Carr & Ferrell LLP

(57) **CLAIM**

The ornamental design for a network adapter, as shown.

DESCRIPTION

FIG. 1 is an isometric view showing top, front, and right sides of a network adapter;

FIG. 2 is a top plan view of the network adapter of FIG. 1; FIG. 3 is a right side elevation view of the network adapter of FIG. 1;

FIG. 4 is a left side elevation view of the network adapter of FIG. 1;

FIG. 5 is a front elevation view of the network adapter of FIG. 1;

FIG. 6 is a rear elevation view of the network adapter of FIG. 1; and,

FIG. 7 is a bottom plan view of the network adapter of FIG. 1.

1 Claim, 5 Drawing Sheets

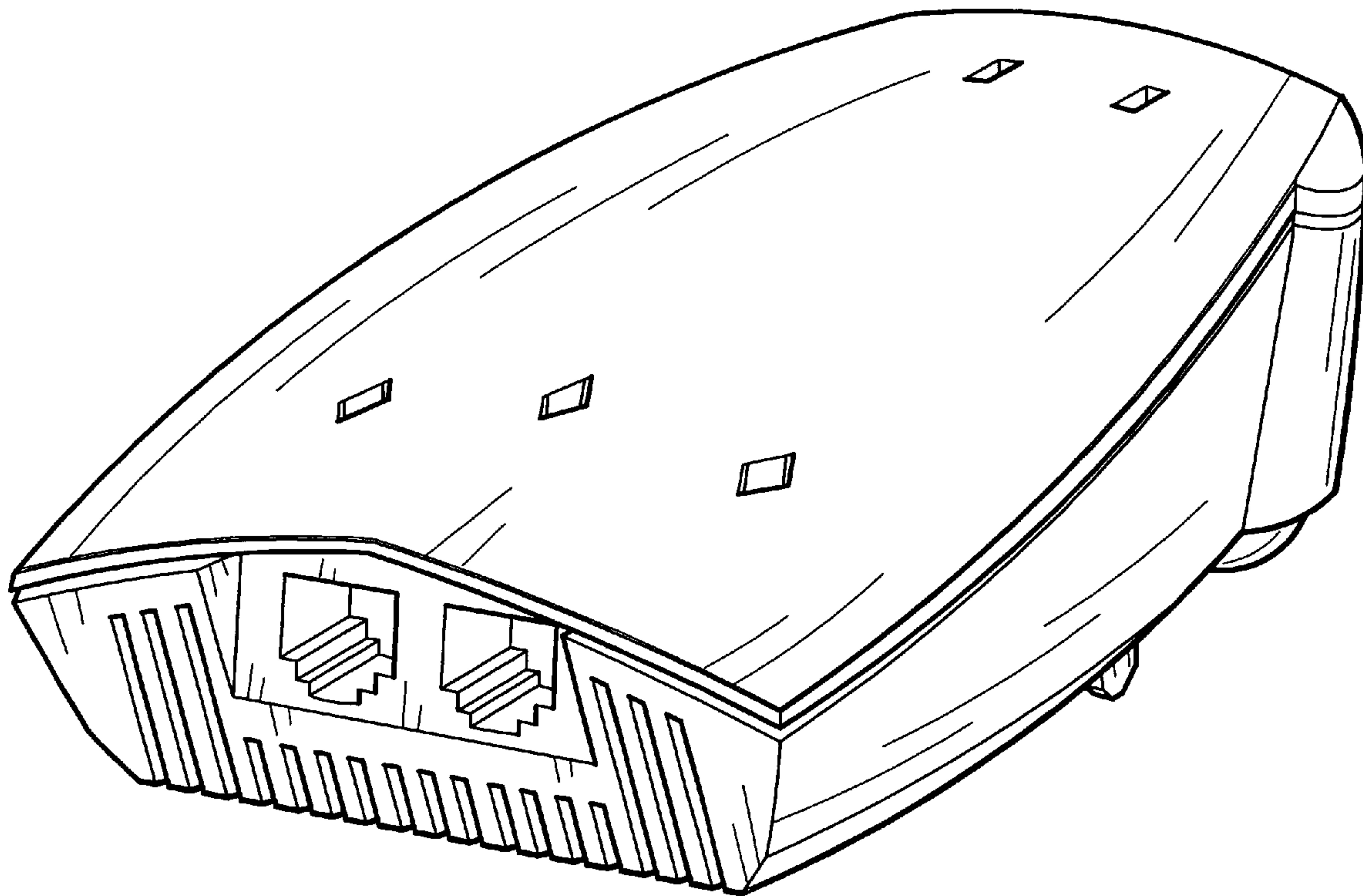


FIG. 1

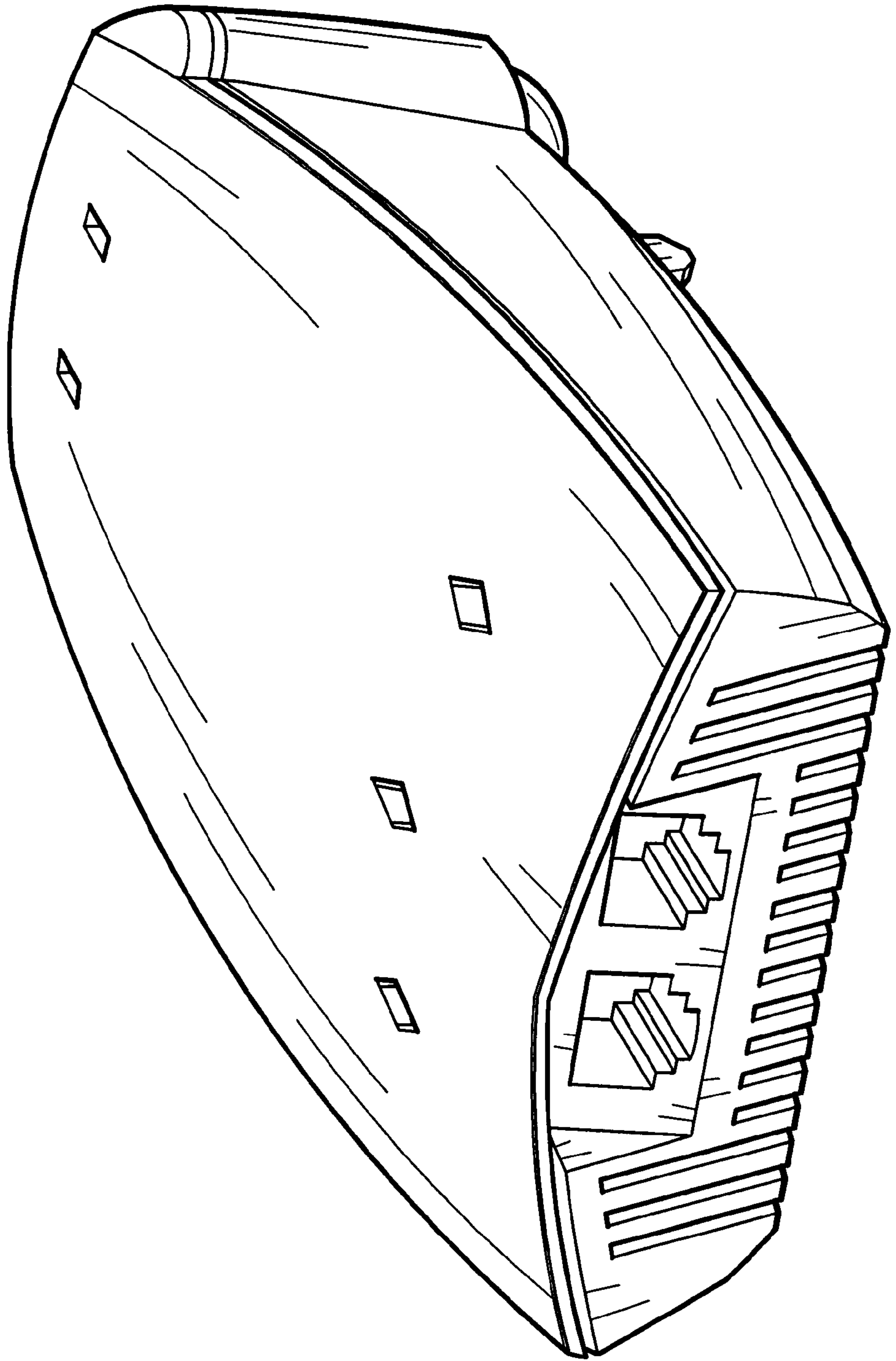
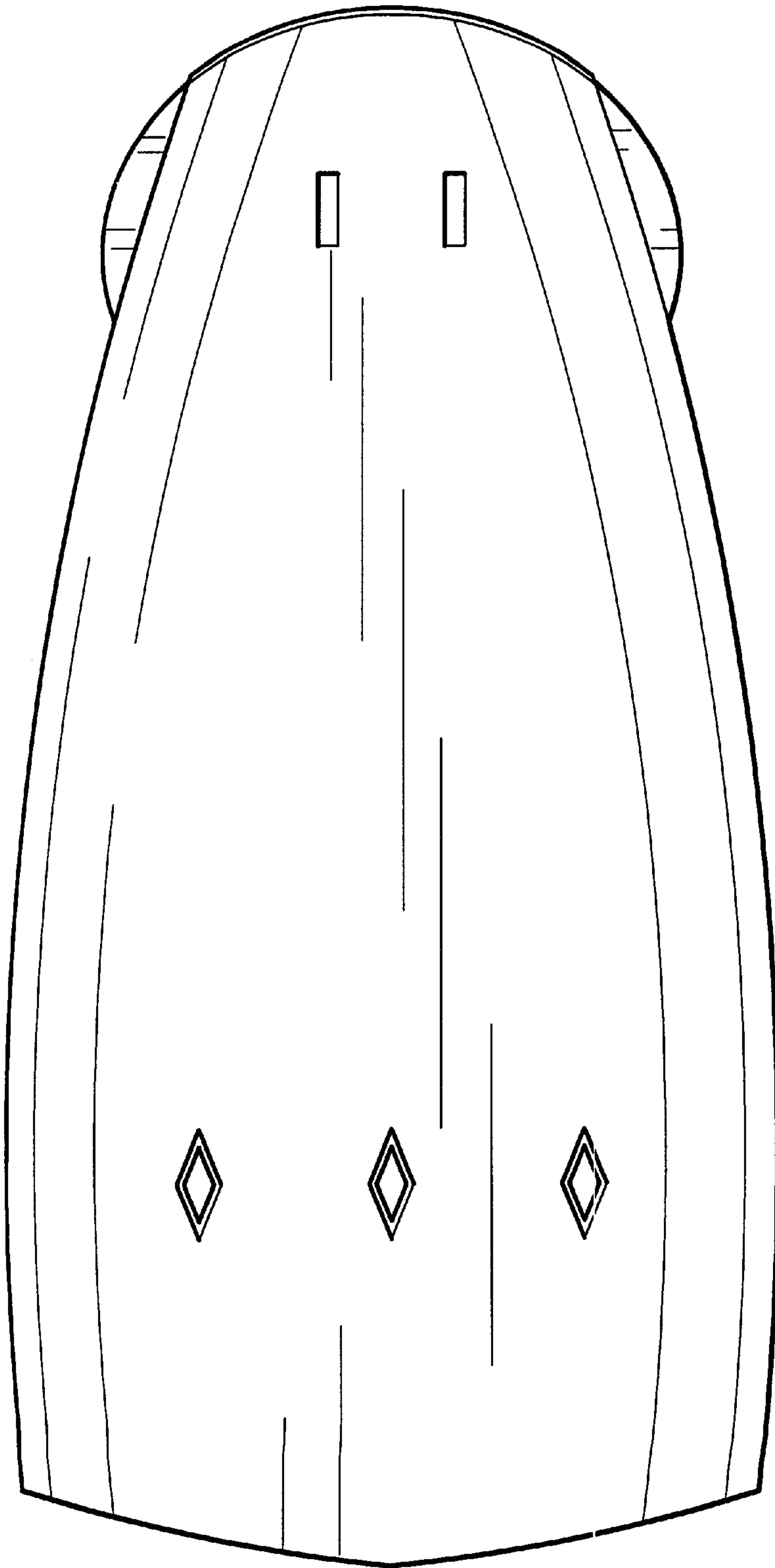
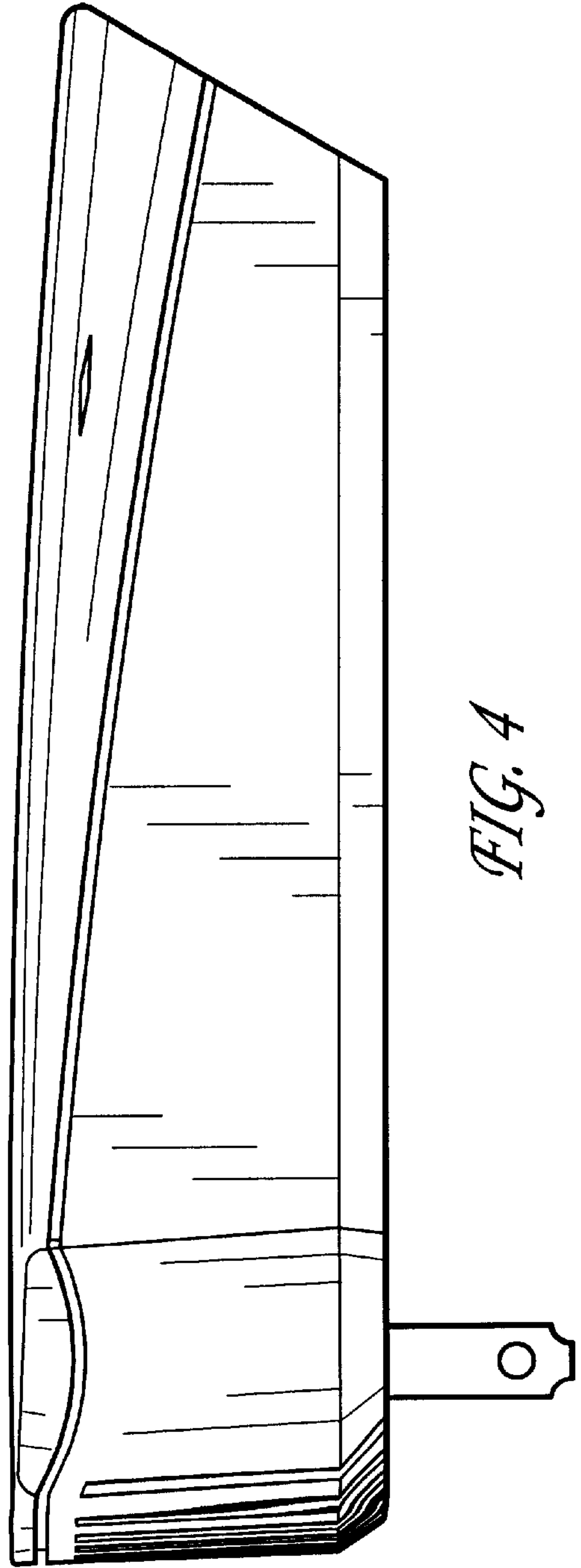
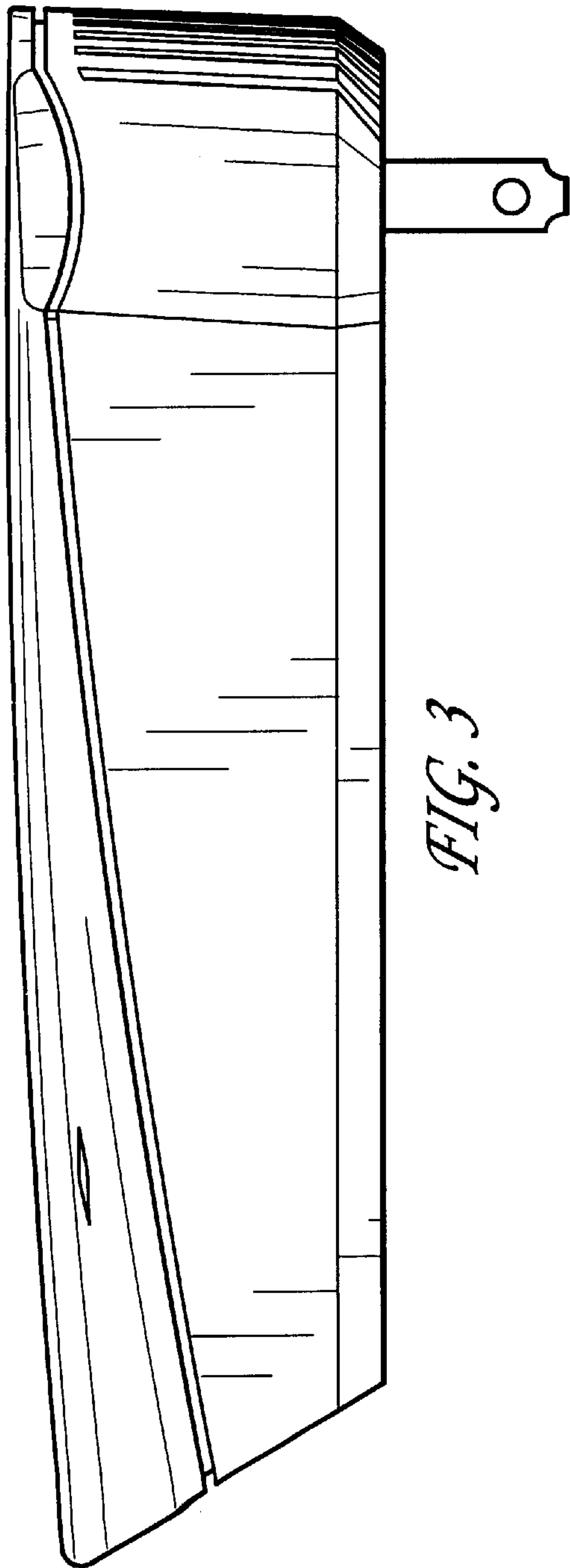


FIG. 2





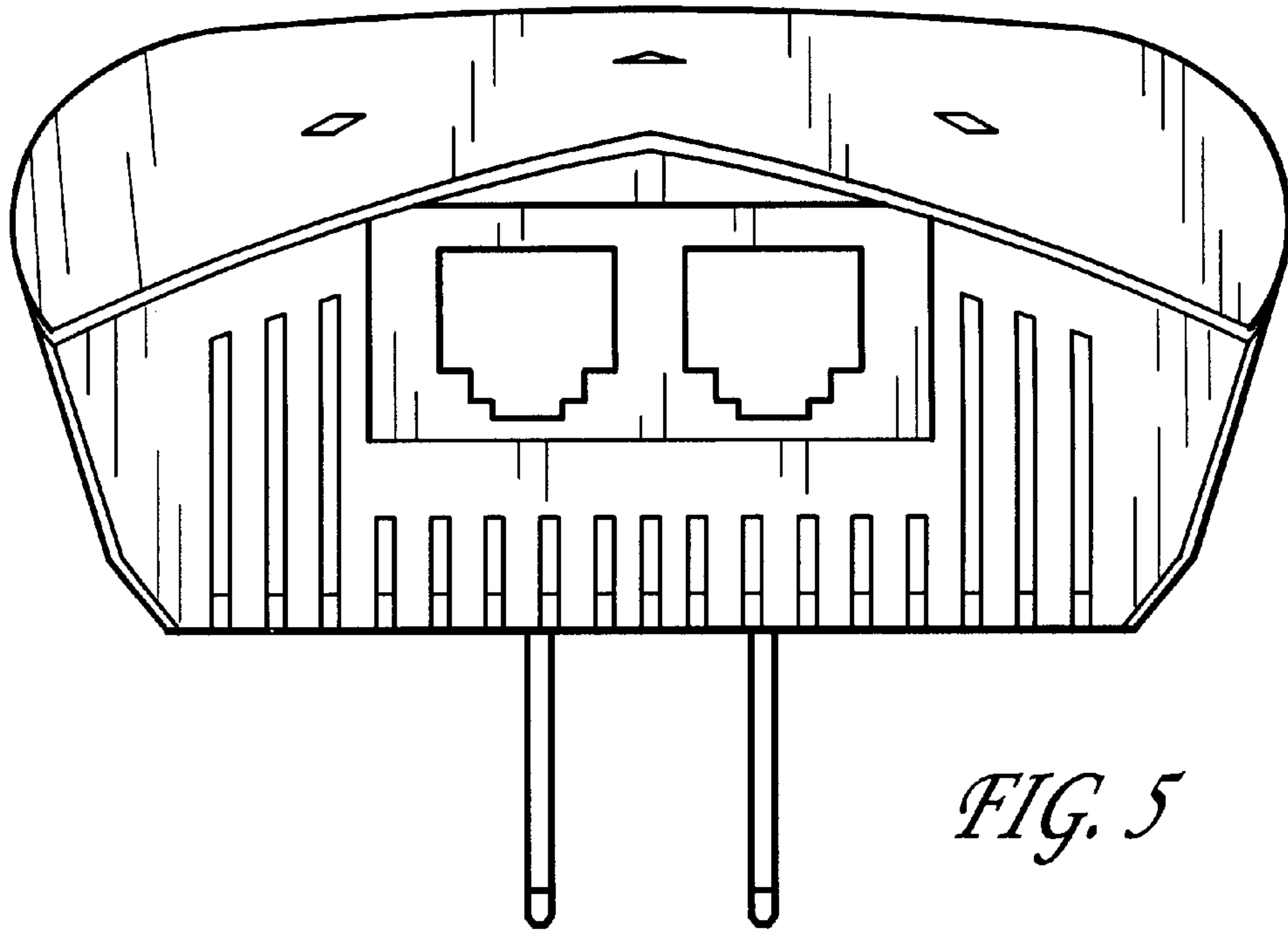


FIG. 5

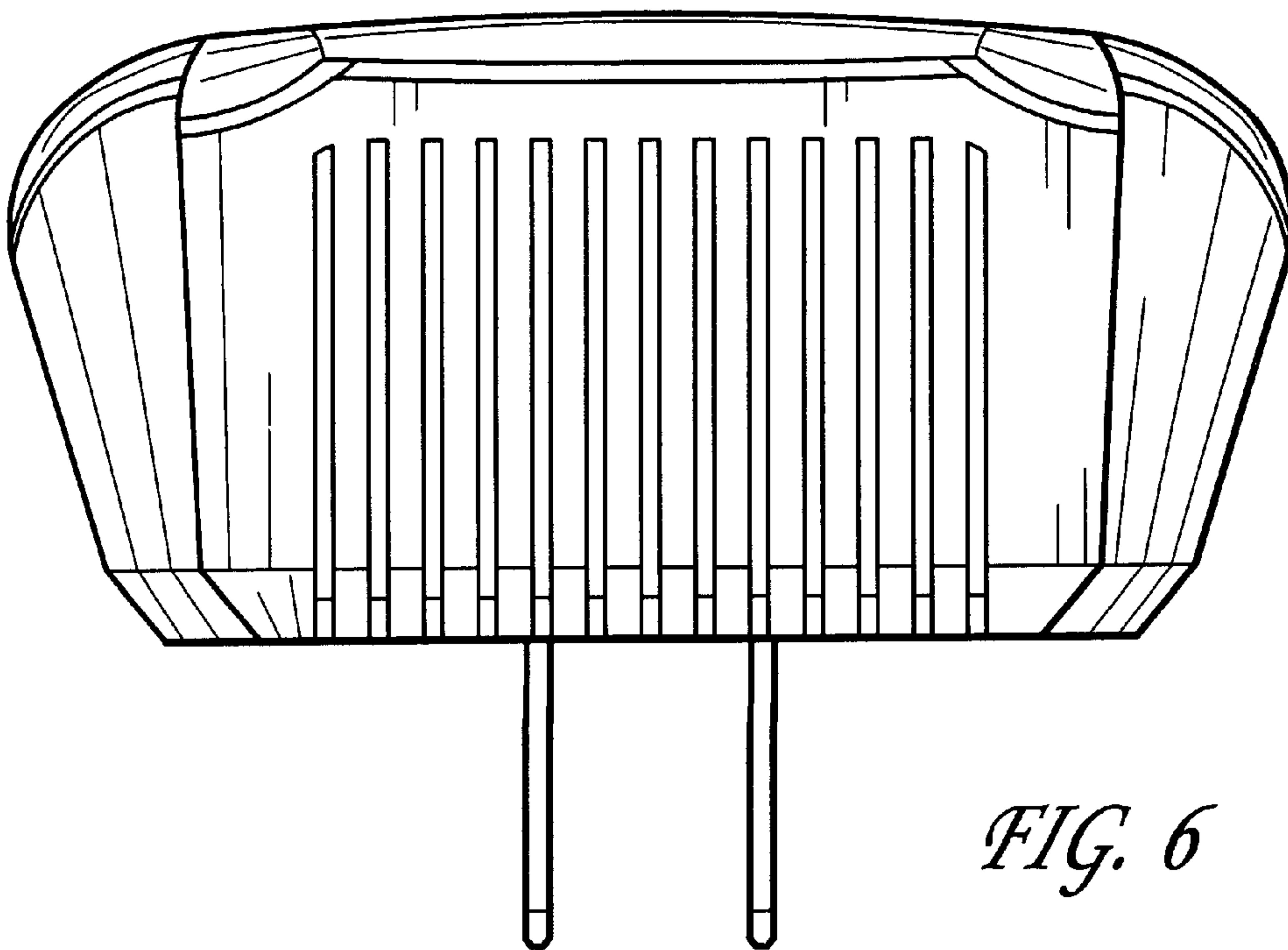


FIG. 6

FIG. 7

