



US00D436911S

(12) **United States Design Patent**
Chung

(10) **Patent No.:** **US D436,911 S**

(45) **Date of Patent:** **** Jan. 30, 2001**

(54) **AUTOMOTIVE WHEEL**

(75) **Inventor:** **Suny Chung**, Placentia, CA (US)

(73) **Assignee:** **DMTech America Inc**, Cerritos, CA (US)

(**) **Term:** **14 Years**

(21) **Appl. No.:** **29/094,844**

(22) **Filed:** **Oct. 13, 1998**

(51) **LOC (7) Cl.** **12-16**

(52) **U.S. Cl.** **D12/211**

(58) **Field of Search** **D12/204-213;**
301/64.1, 65, 37.1

D. 406,807	*	3/1999	Shikado	D12/211
D. 410,886	*	6/1999	Nishida	D12/211
D. 411,502	*	6/1999	Chung	D12/211
D. 416,850	*	11/1999	Cohen et al.	D12/211

OTHER PUBLICATIONS

Road & Track, p. 28, See Enkei Wheels Ad, 360 Perfect Wheel, Aug. 1997.*

* cited by examiner

Primary Examiner—Stacia Cadmus

(74) *Attorney, Agent, or Firm*—G. Donald Weber, Jr.

(57) **CLAIM**

The ornamental design for an automotive wheel, as shown and described.

(56) **References Cited**

U.S. PATENT DOCUMENTS

D. 339,099	*	9/1993	Falck et al.	D12/211
D. 339,561	*	9/1993	Maiworm et al.	D12/211
D. 344,924	*	3/1994	Braungart et al.	D12/211
D. 374,420	*	10/1996	Neeper	D12/209
D. 392,932	*	3/1998	Wang	D12/209
D. 396,441	*	7/1998	Nishida	D12/209
D. 402,951	*	12/1998	Wechner	D12/211

DESCRIPTION

FIG. 1 is an oblique view of the automotive wheel of the instant invention; and, FIG. 2 is a plan view of the automotive wheel of the instant invention.

The portions of the rim which are not visible in FIG. 1 form no part of the claimed design.

1 Claim, 1 Drawing Sheet

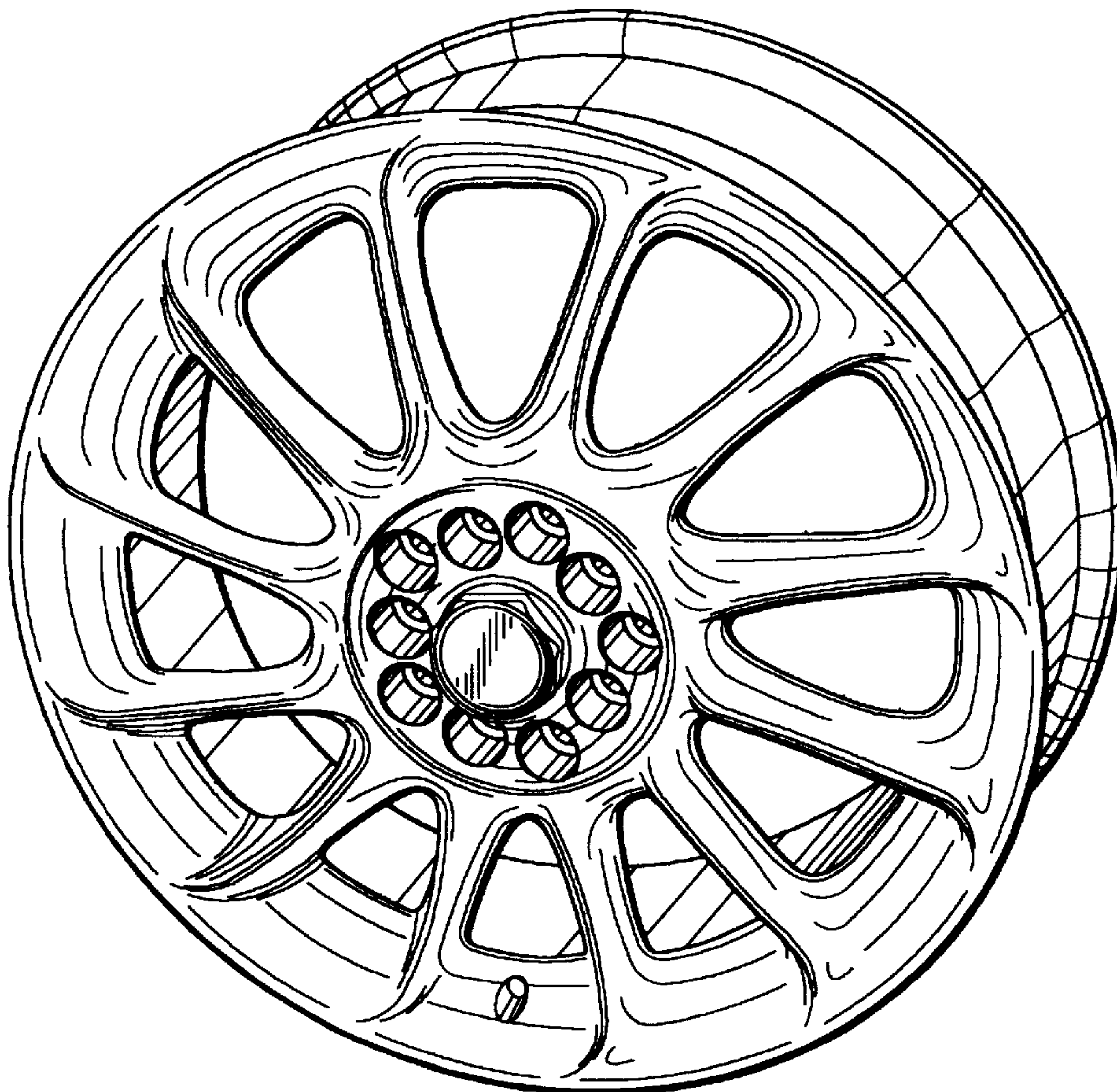


FIG. 1

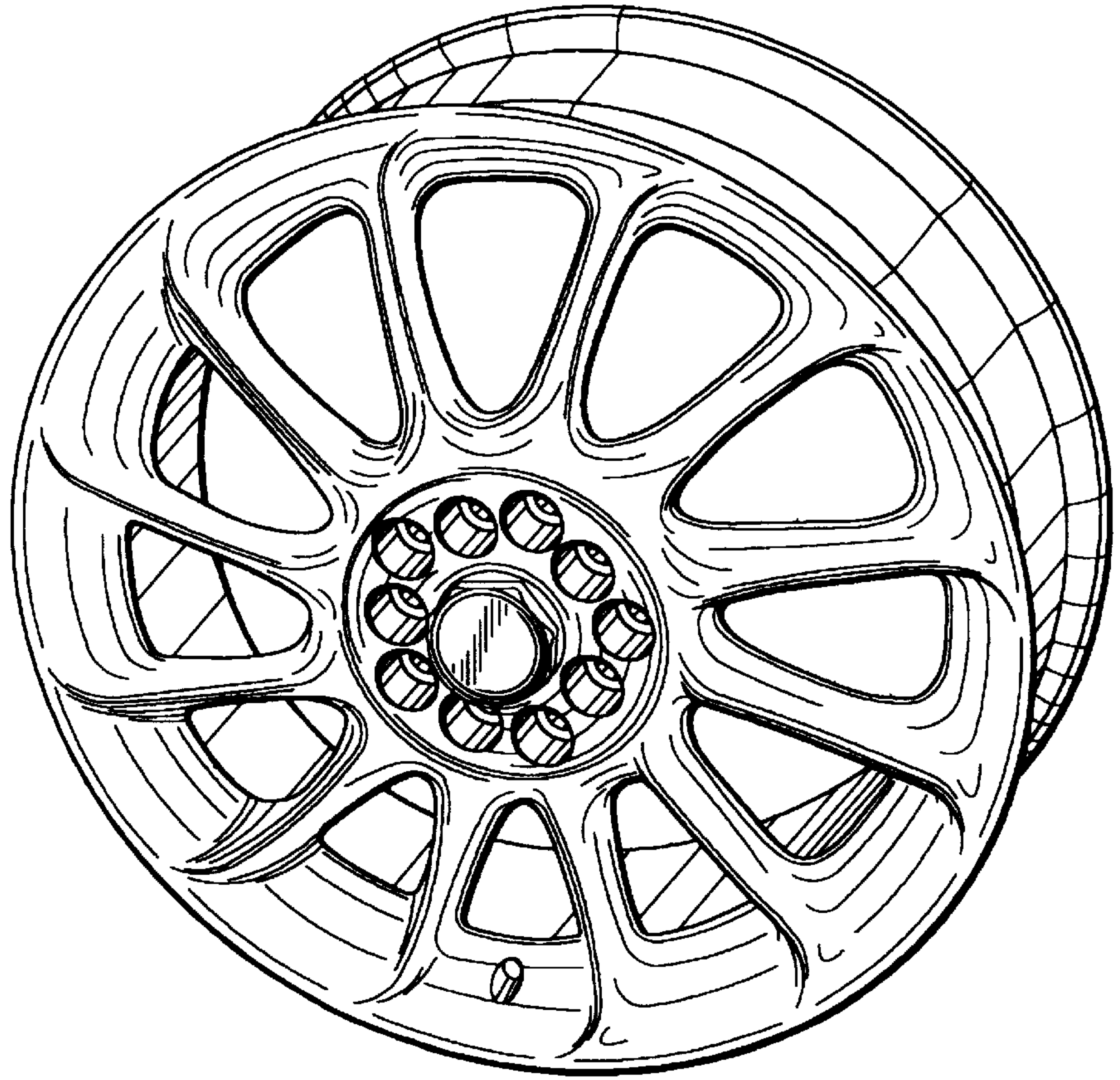


FIG. 2