



US00D436910S

(12) **United States Design Patent**
Hale, Jr.

(10) **Patent No.:** **US D436,910 S**

(45) **Date of Patent:** **** Jan. 30, 2001**

(54) **VEHICLE-WHEEL FRONT FACE**

(75) **Inventor:** **Arthur D. Hale, Jr., Long Beach, CA (US)**

(73) **Assignee:** **Mobile Hi-Tech Wheels, Torrance, CA (US)**

(**) **Term:** **14 Years**

(21) **Appl. No.:** **29/126,308**

(22) **Filed:** **Jul. 12, 2000**

(51) **LOC (7) Cl.** **12-16**

(52) **U.S. Cl.** **D12/210**

(58) **Field of Search** **D12/204-211;**
301/37.1, 64.1, 65

(56) **References Cited**

U.S. PATENT DOCUMENTS

D. 108,775	*	3/1938	Burger	D12/210
D. 194,099	*	11/1962	Walsh	D12/210
D. 206,709	*	1/1967	Reid	D12/210
D. 219,967	*	2/1971	Harty, Jr.	D12/210
D. 361,546	*	8/1995	Weld	D12/209
D. 361,975	*	9/1995	Weld	D12/210

D. 385,837	*	11/1997	Muller	D12/209
D. 389,112	*	1/1998	Chung	D12/209
D. 416,533	*	11/1999	Sulahian	D12/211
D. 422,257	*	4/2000	Pruden	D12/209
D. 427,961	*	7/2000	Donikoglu	D12/210
D. 430,094	*	8/2000	Hale, Jr.	D12/210

* cited by examiner

Primary Examiner—Stacia Cadmus

(74) *Attorney, Agent, or Firm*—Christie, Parker & Hale, LLP

(57) **CLAIM**

The ornamental design for a vehicle-wheel front face, as shown and described.

DESCRIPTION

FIG. 1 is a perspective view of a vehicle-wheel front face according to my new design;
FIG. 2 is a front elevational view thereof;
FIG. 3 is a side elevational view thereof; and,
FIG. 4 is an elevation of a second embodiment of my design. Portions of the wheel depicted in broken line are for illustrative purposes only, and form no part of the claimed design.

1 Claim, 4 Drawing Sheets

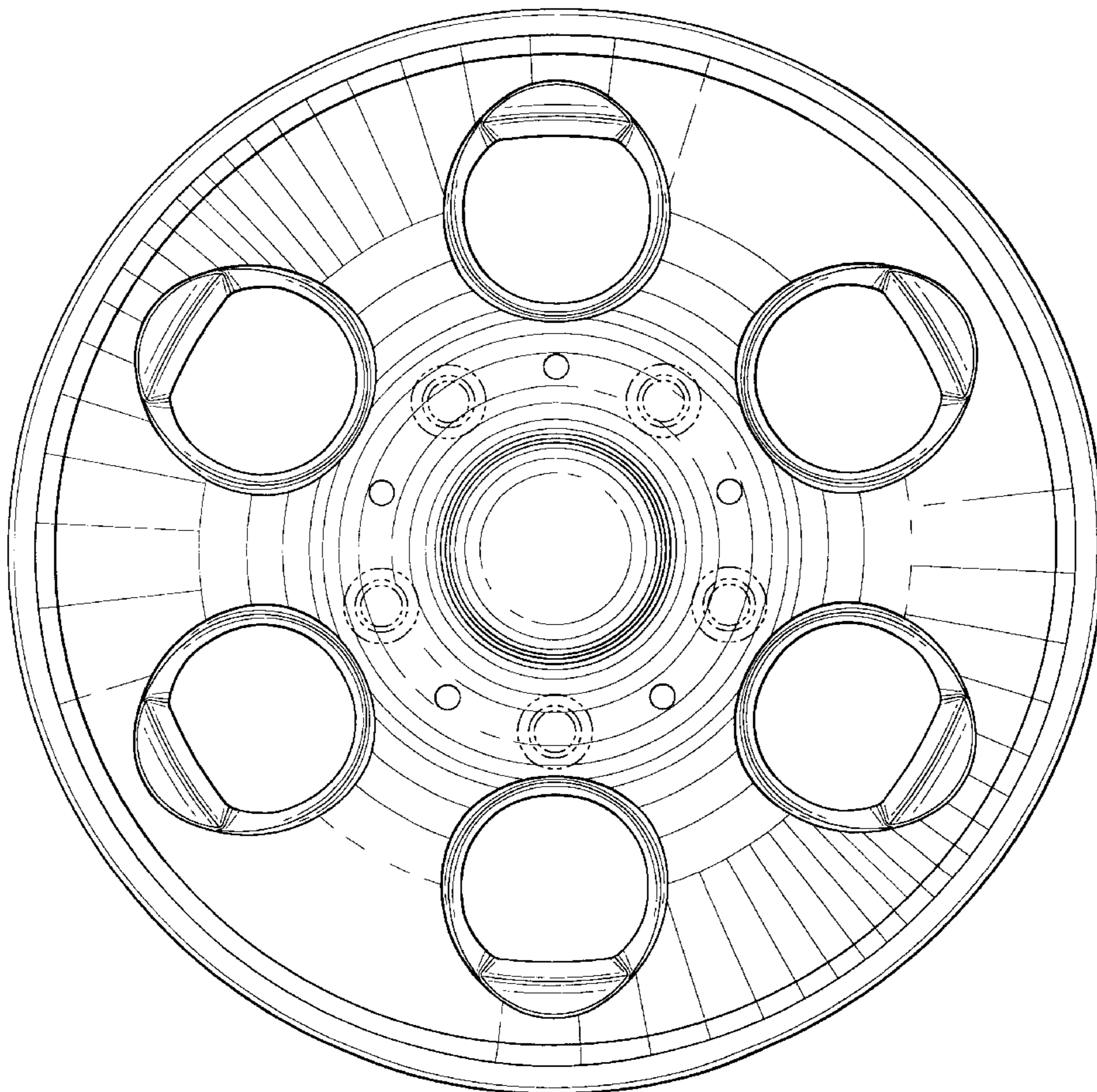


FIG. 1

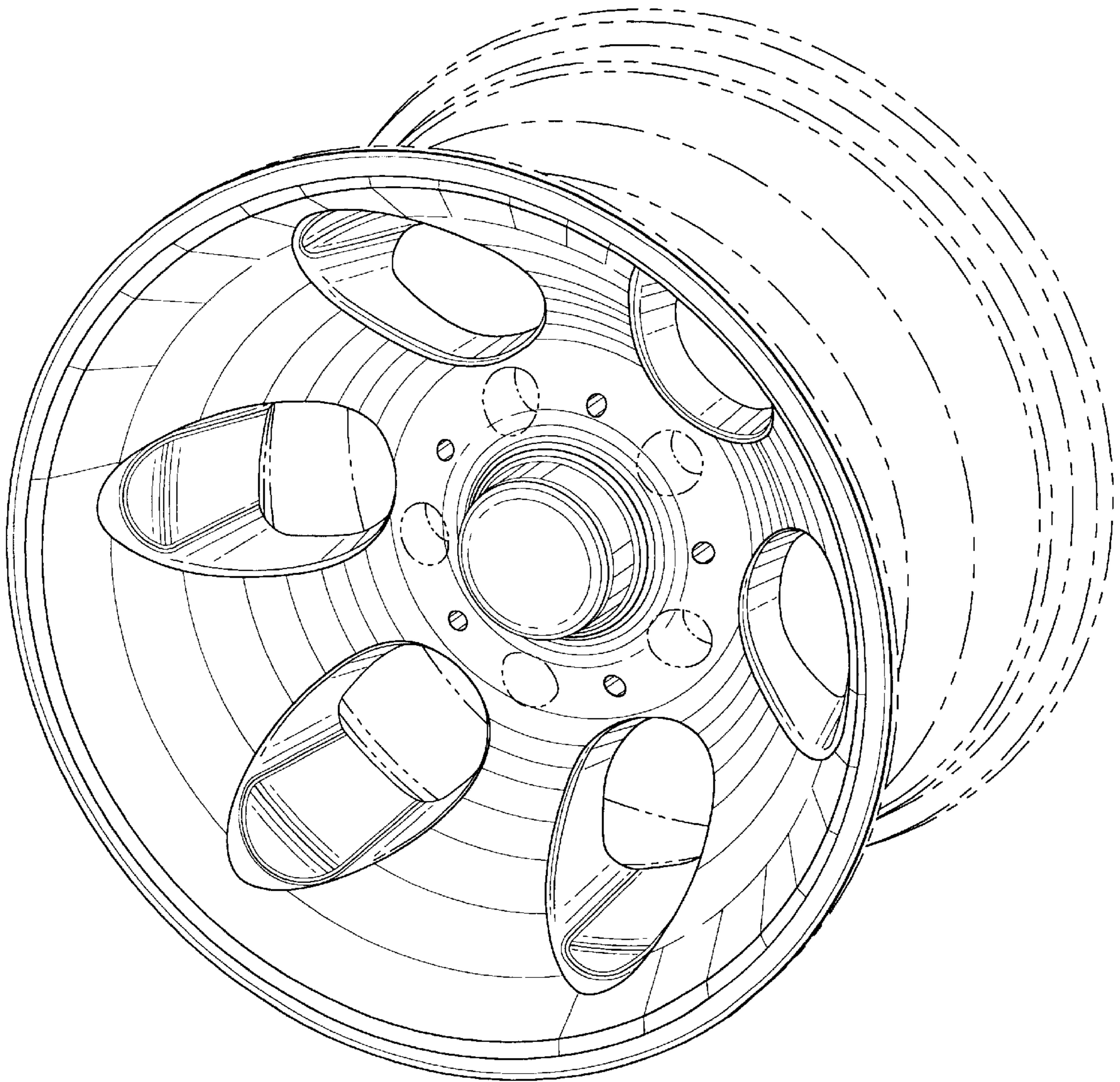


FIG. 2

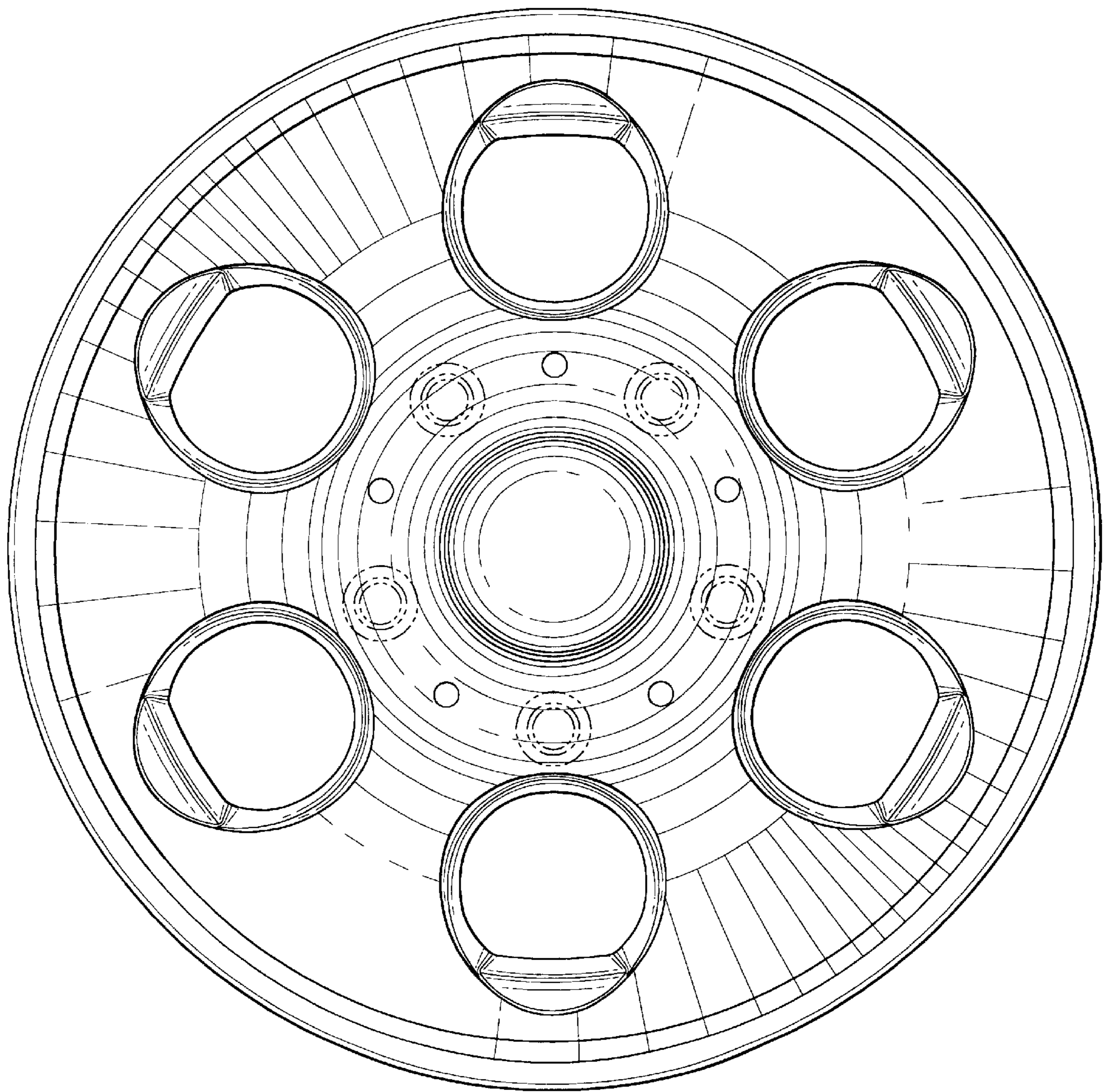


FIG. 3

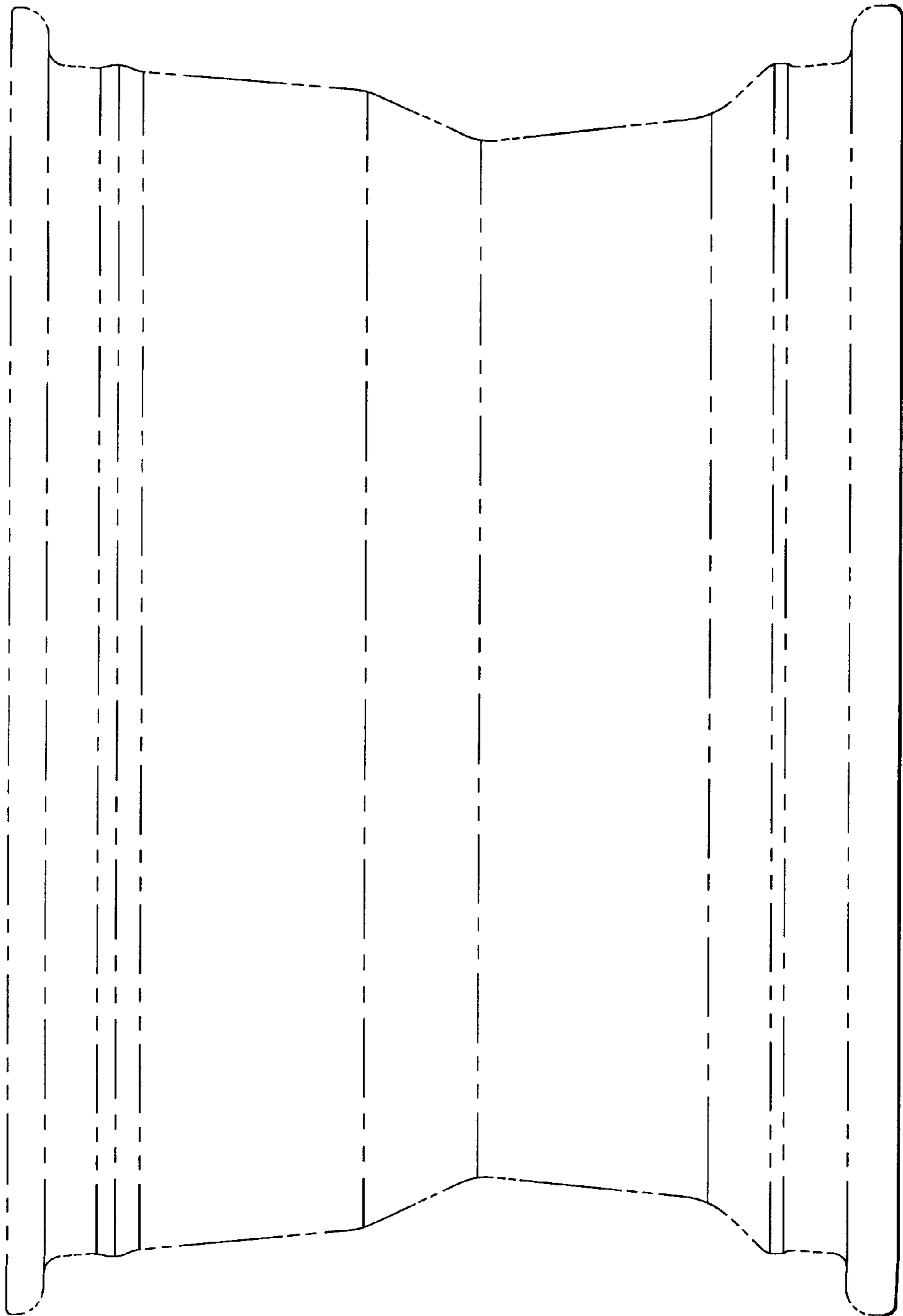


FIG. 4

