



US00D436909S

(12) **United States Design Patent**  
**Lotson**

(10) **Patent No.:** **US D436,909 S**

(45) **Date of Patent:** **\*\* Jan. 30, 2001**

(54) **VEHICLE-WHEEL FRONT FACE**

D. 414,156 \* 9/1999 Gilles ..... D12/211  
D. 416,533 \* 11/1999 Sulahian ..... D12/211

(75) Inventor: **Demetrius Lotson**, Inglewood, CA  
(US)

\* cited by examiner

(73) Assignee: **Mobile Hi-Tech Wheels**, Torrance, CA  
(US)

*Primary Examiner*—Stacia Cadmus

(74) *Attorney, Agent, or Firm*—Christie, Parker & Hale,  
LLP

(\*\*) Term: **14 Years**

(57) **CLAIM**

(21) Appl. No.: **29/120,742**

The ornamental design for a vehicle-wheel front face, as shown and described.

(22) Filed: **Mar. 24, 2000**

**DESCRIPTION**

(51) **LOC (7) Cl.** ..... **12-16**

(52) **U.S. Cl.** ..... **D12/209**

(58) **Field of Search** ..... D12/204-211;  
301/37.1, 64.1, 65

FIG. 1 is a perspective view of a vehicle-wheel front face according to my new design;

FIG. 2 is a front elevational view thereof; and

FIG. 3 is a side elevational view thereof.

FIG. 4 is a perspective view of a second embodiment of my new design;

FIG. 5 is a front elevational view of the alternative embodiment; and,

FIG. 6 is a side elevational view of the alternative embodiment.

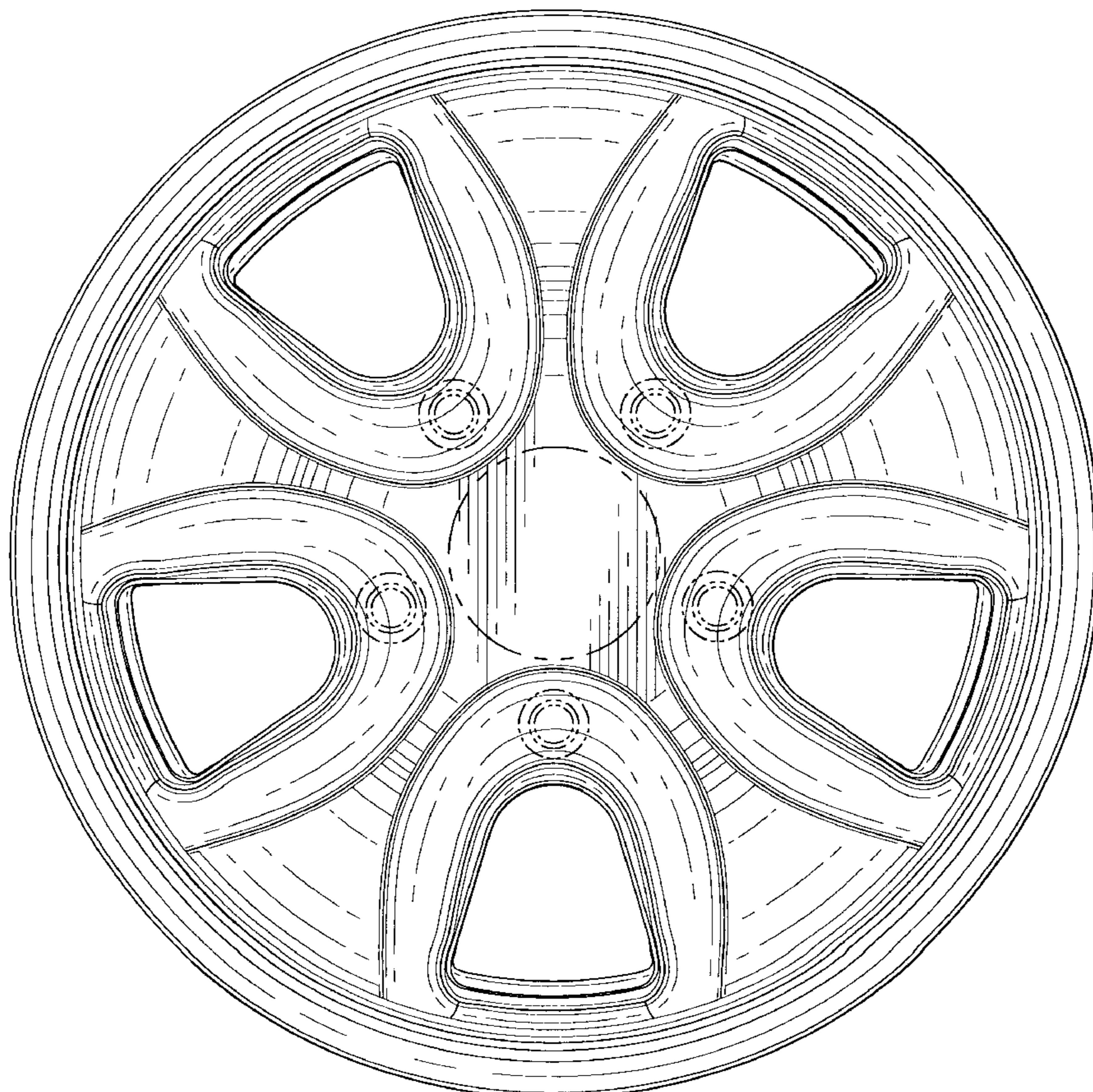
Portions of the wheel depicted in broken line are for illustrative purposes only, and form no part of the claimed design.

(56) **References Cited**

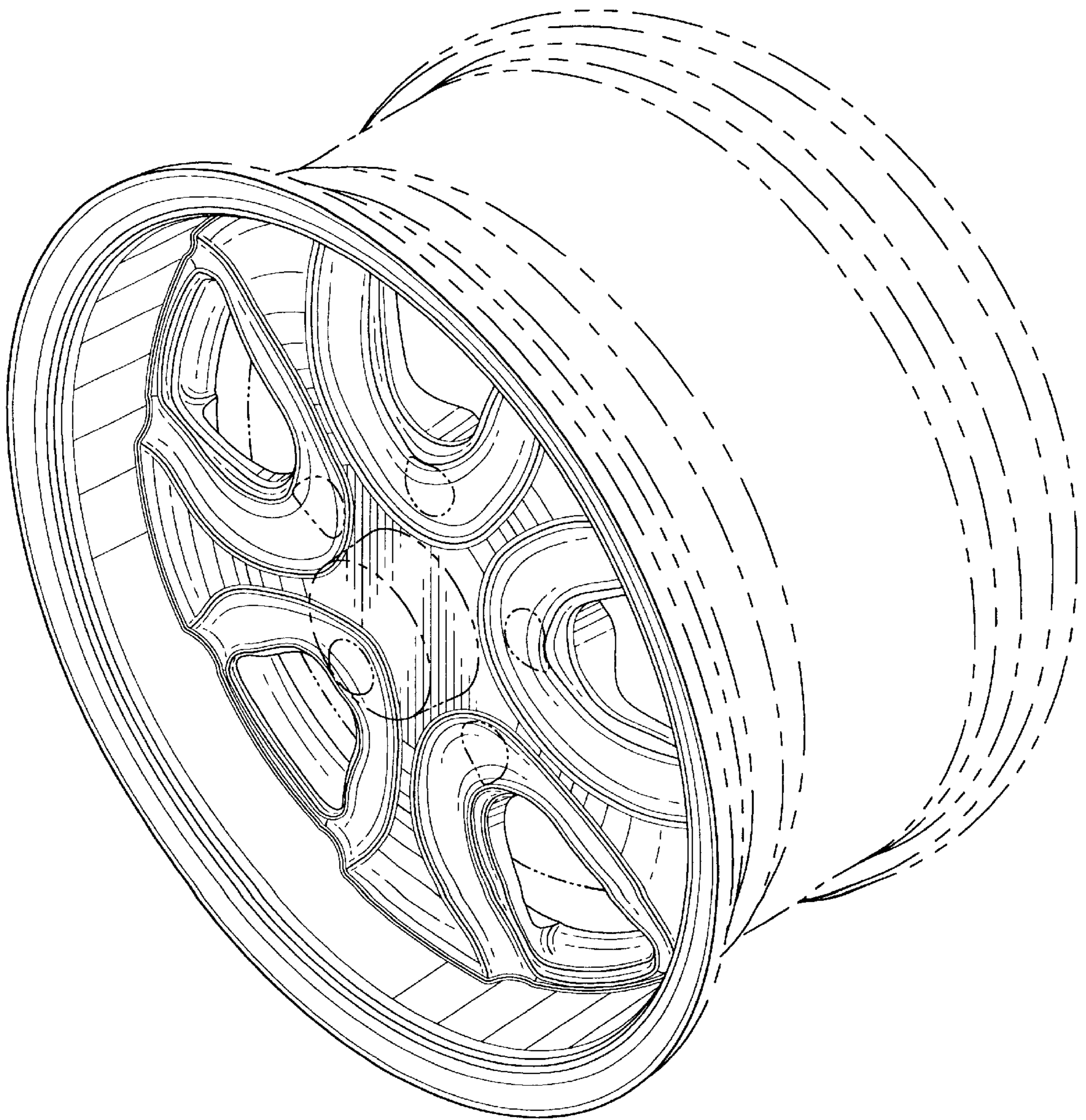
**U.S. PATENT DOCUMENTS**

D. 206,709	*	1/1967	Reid	.....	D12/209
D. 241,830	*	10/1976	Patch	.....	D12/211
D. 361,546	*	8/1995	Weld	.....	D12/209
D. 385,837	*	11/1997	Muller	.....	D12/209
D. 389,112	*	1/1998	Chung	.....	D12/209
D. 391,913	*	3/1998	Chung	.....	D12/209
D. 402,252	*	12/1998	Kulla	.....	D12/211
D. 409,553	*	5/1999	Neeper	.....	D12/211

**1 Claim, 6 Drawing Sheets**

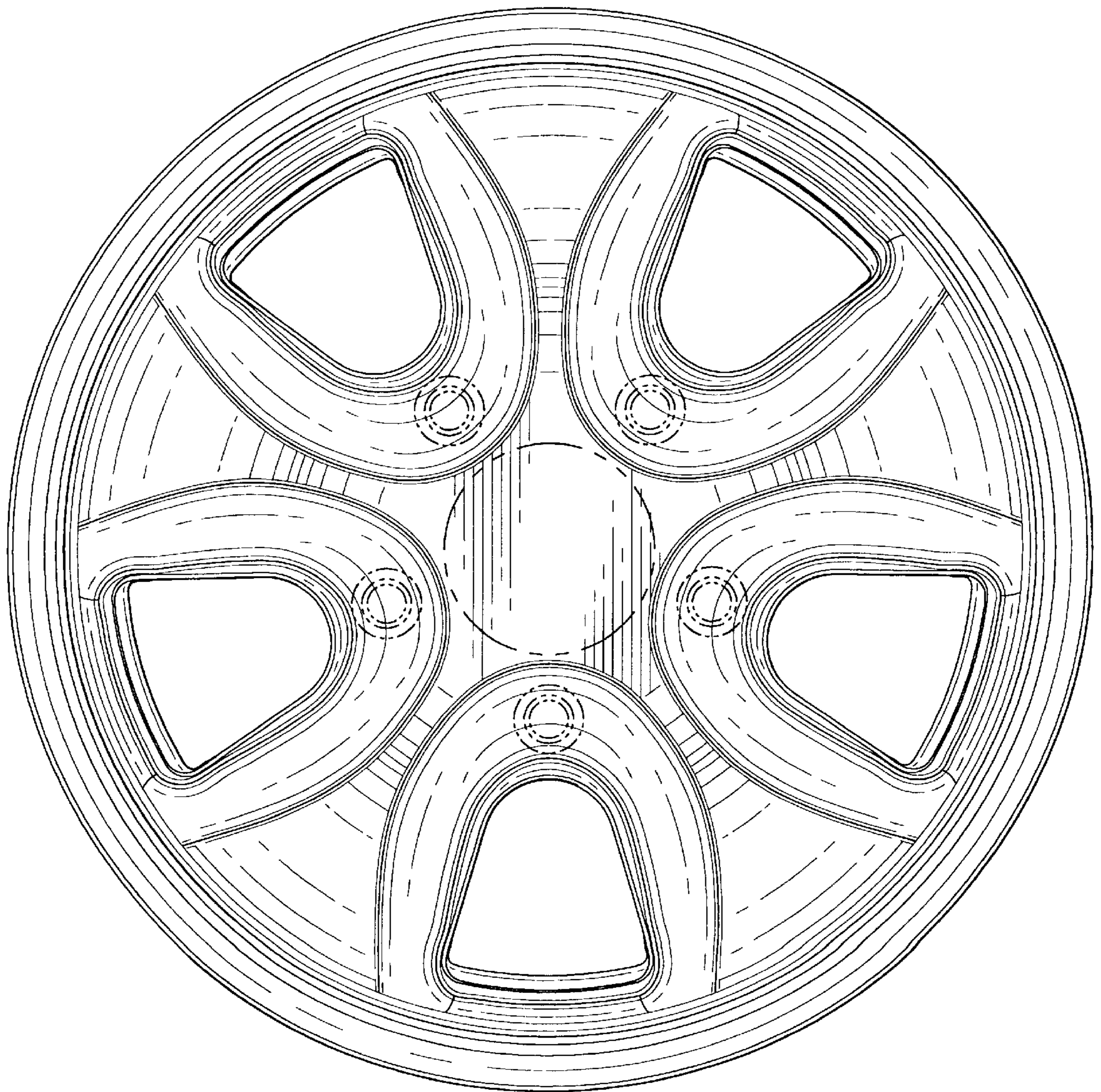


*FIG. 1*

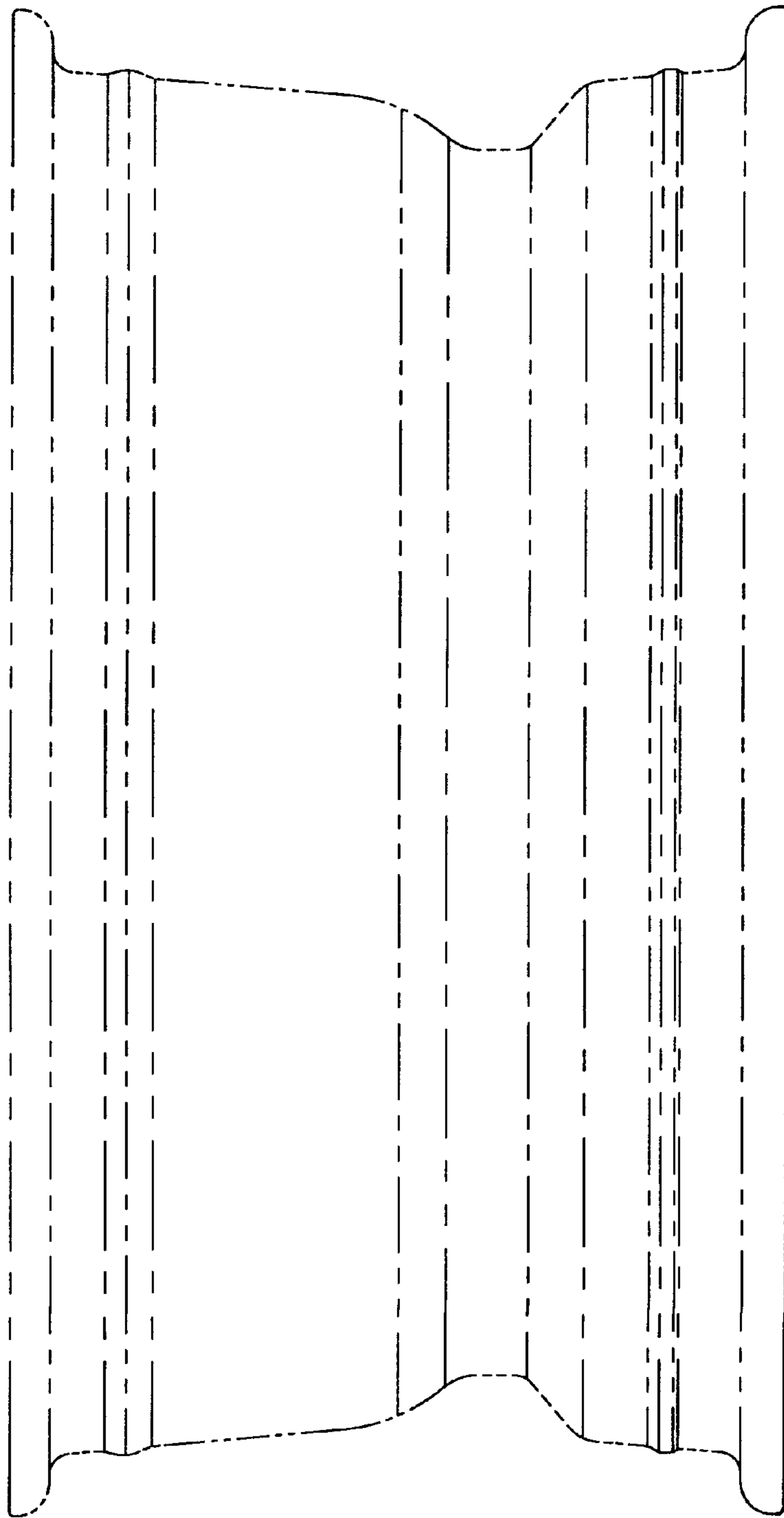




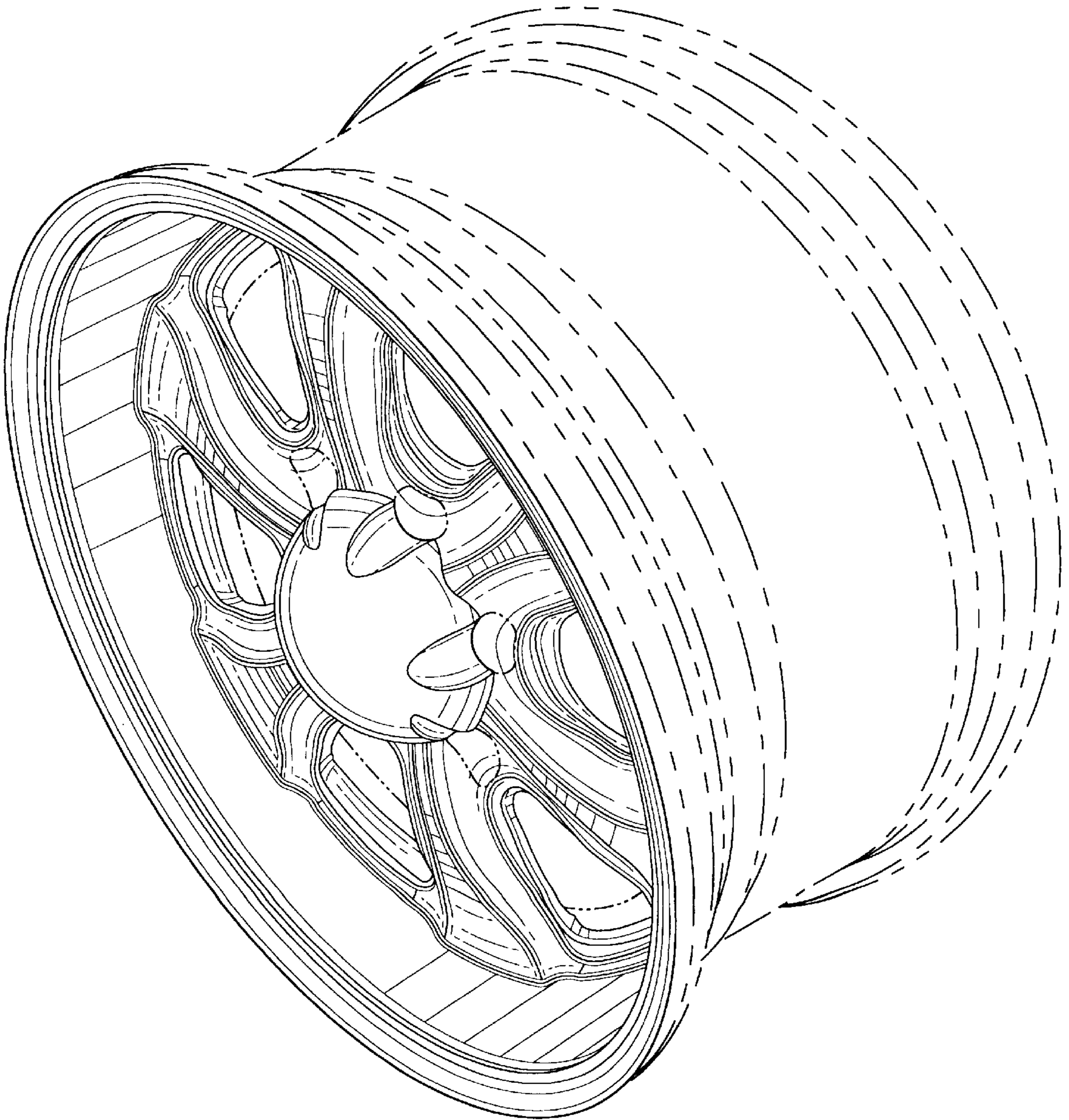
*FIG. 2*



*FIG. 3*

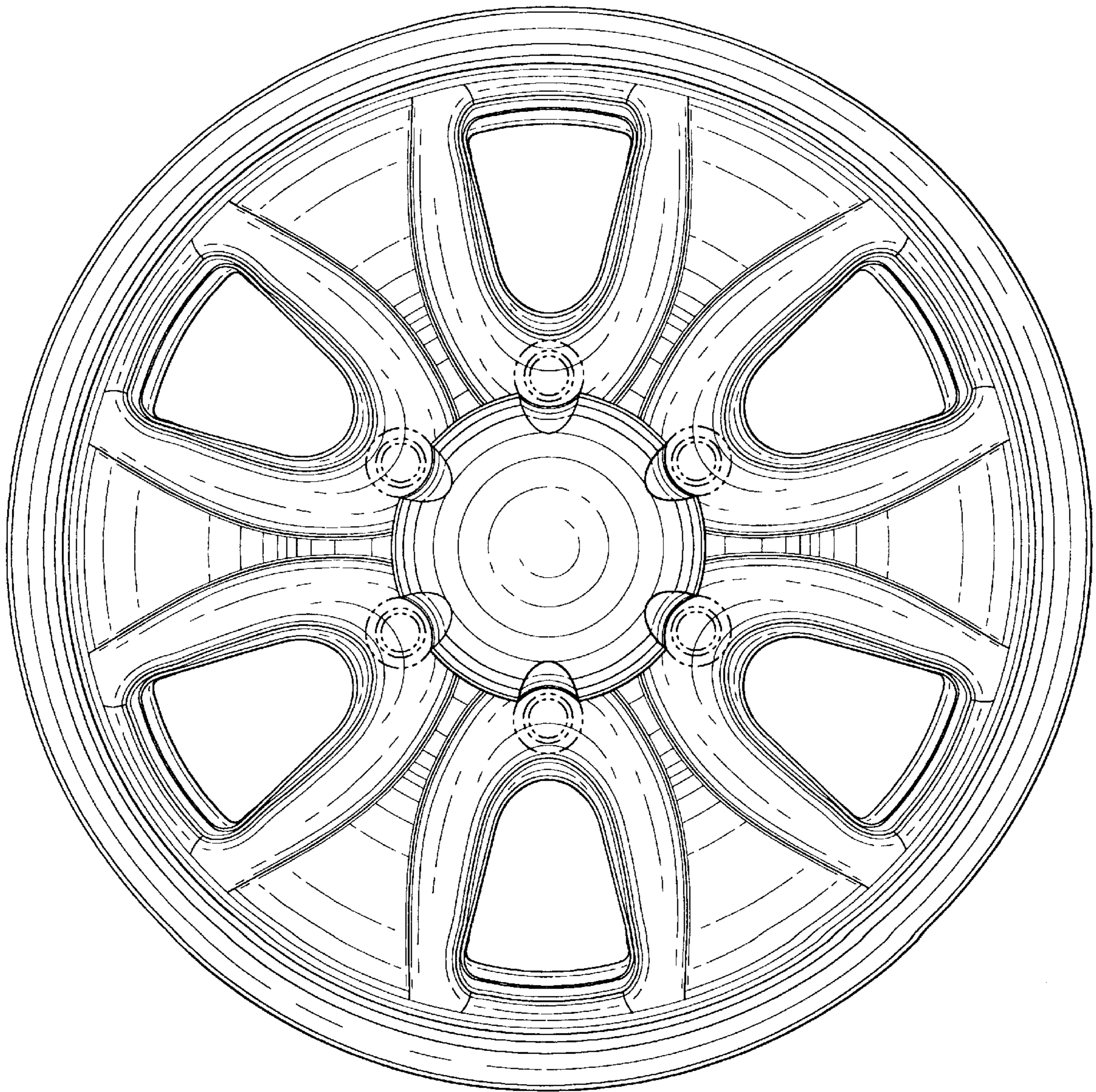


*FIG. 4*





*FIG. 5*



*FIG. 6*

