



US00D436904S

(12) **United States Design Patent**
Terasawa

(10) **Patent No.:**

US D436,904 S

(45) **Date of Patent:**

**** Jan. 30, 2001**

(54) **DISC BRAKE CALIPER**

860064	1/1993	(JP) .
953750	5/1996	(JP) .
953751	5/1996	(JP) .
953766	5/1996	(JP) .
1025215	11/1998	(JP) .
1025221	11/1998	(JP) .
1025305	11/1998	(JP) .

(75) Inventor: **Youko Terasawa, Sakai (JP)**

(73) Assignee: **Shimano, Inc., Osaka (JP)**

(**) Term: **14 Years**

* cited by examiner

(21) Appl. No.: **29/119,299**

(22) Filed: **Feb. 29, 2000**

Primary Examiner—Melody N. Brown

(74) *Attorney, Agent, or Firm*—Shinju Global IP Counselors, LLP

(51) **LOC (7) Cl.** **12-16**

(52) **U.S. Cl.** **D12/180**

(58) **Field of Search** **D12/180; 188/71.1,**
188/73.3, 73.45

(57) **CLAIM**

The ornamental design for a disc brake caliper, as shown and described.

(56) **References Cited**

DESCRIPTION

U.S. PATENT DOCUMENTS

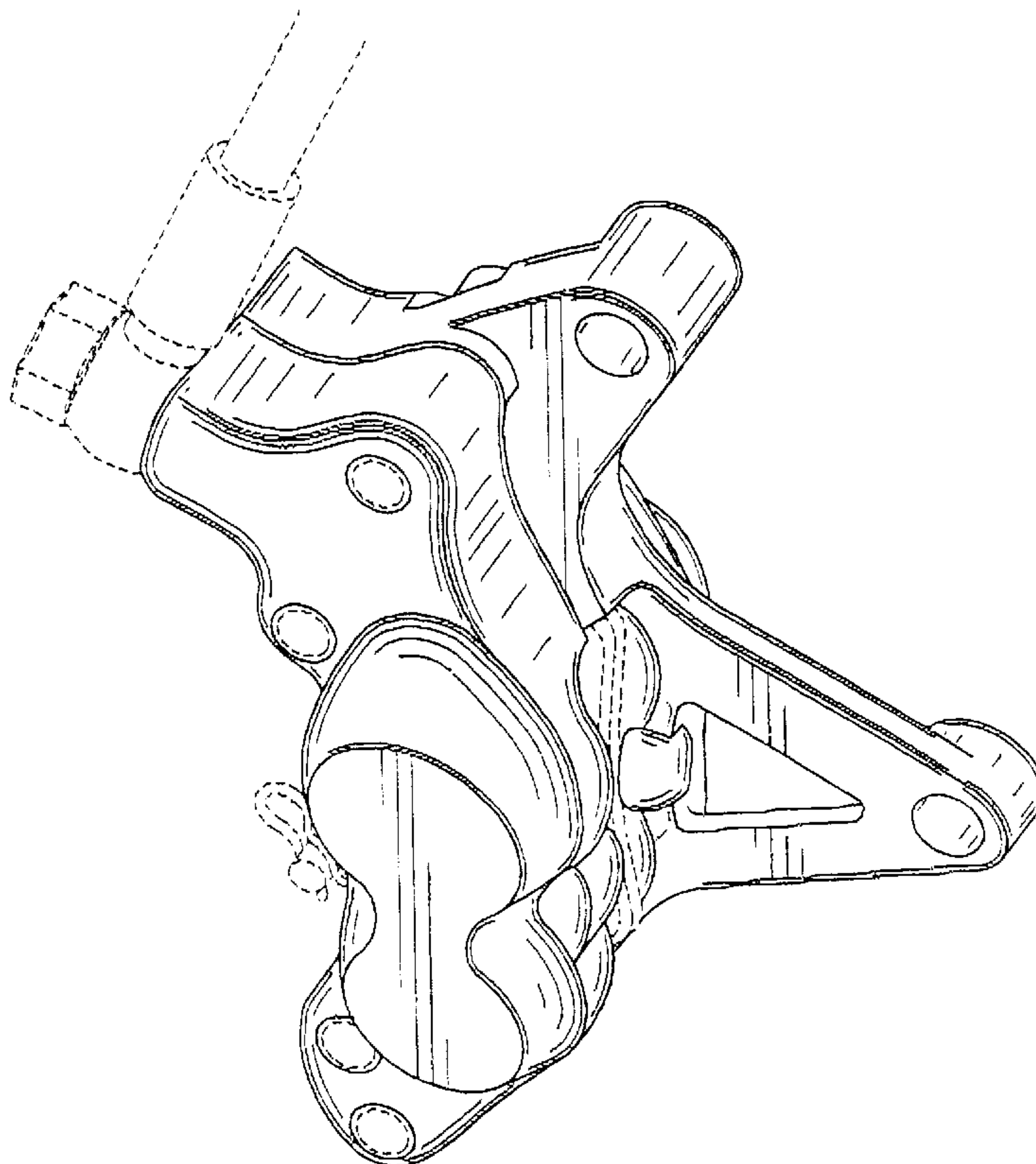
D. 373,340	*	9/1996	Sands	D12/180
D. 378,363	*	3/1997	Sin	D12/180
D. 413,292	*	8/1999	Jones	D12/180
D. 425,465	*	5/2000	Pink et al.	D12/180
5,181,588	*	1/1993	Emmons	188/71.1

FOREIGN PATENT DOCUMENTS

717606	11/1987	(JP) .
488538	7/1992	(JP) .
776197	8/1992	(JP) .
860062	1/1993	(JP) .
860063	1/1993	(JP) .

FIG. 1 is a perspective view of a disc brake caliper showing my new design;
 FIG. 2 is a front elevational view thereof;
 FIG. 3 is a top plan view thereof;
 FIG. 4 is a rear elevational view thereof;
 FIG. 5 is a bottom plan view thereof;
 FIG. 6 is an end elevational view thereof; and,
 FIG. 7 is an opposite end elevational view thereof.
 The broken line showing of environment in the Figures is for illustrative purposes only and forms no part of the claimed design.

1 Claim, 3 Drawing Sheets



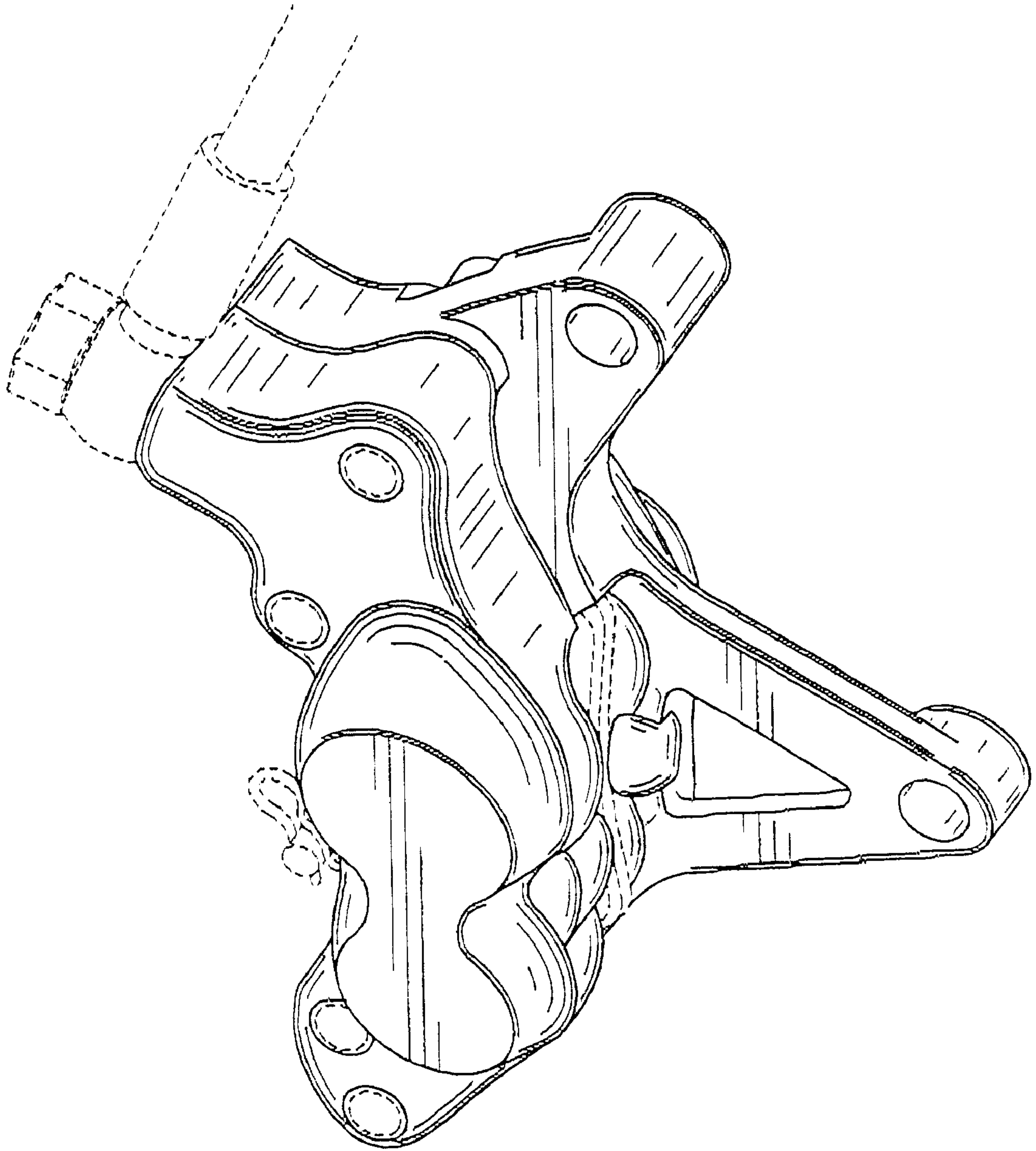


FIG. 1

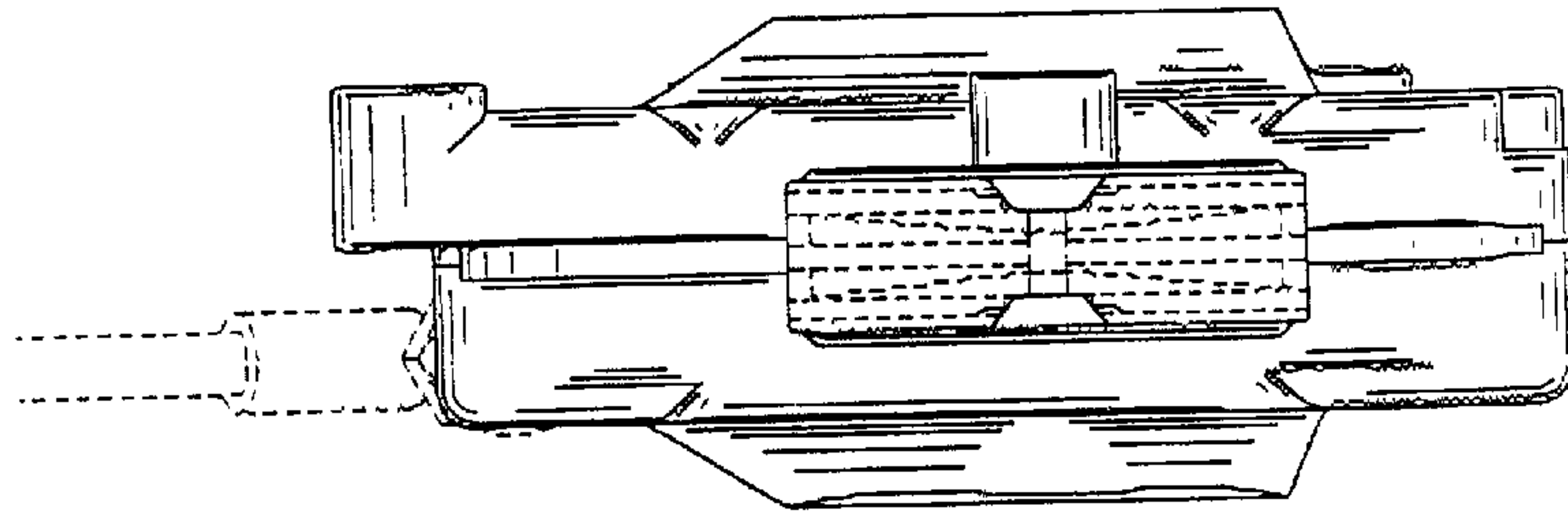


FIG. 5

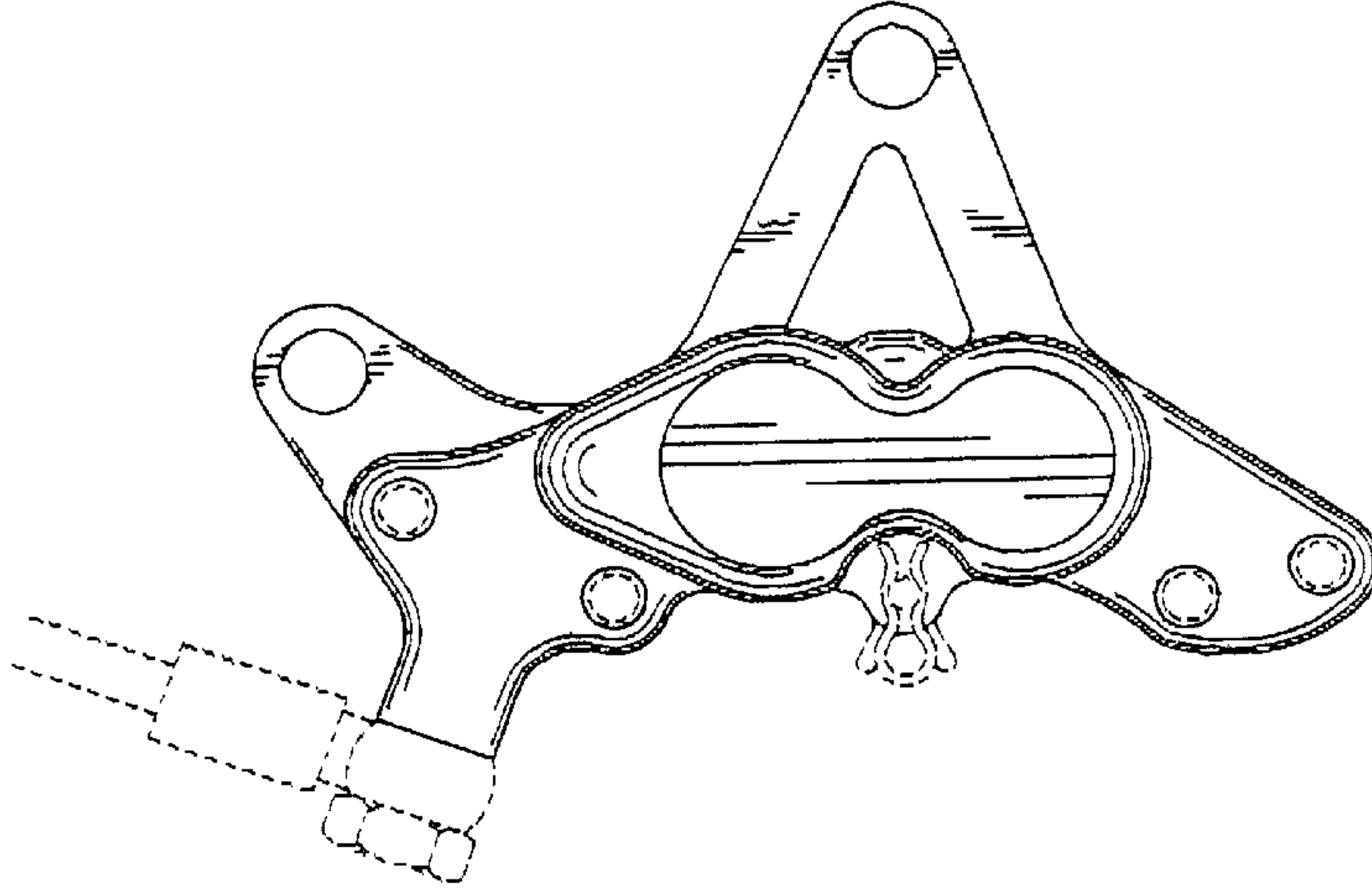


FIG. 4

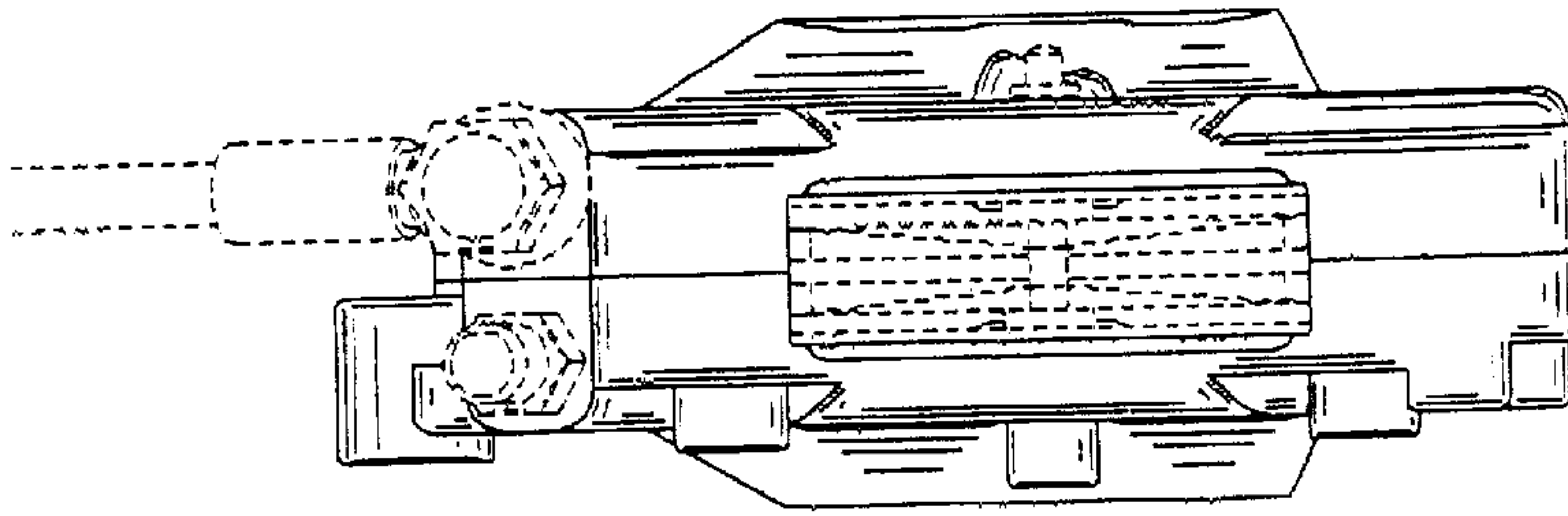


FIG. 3

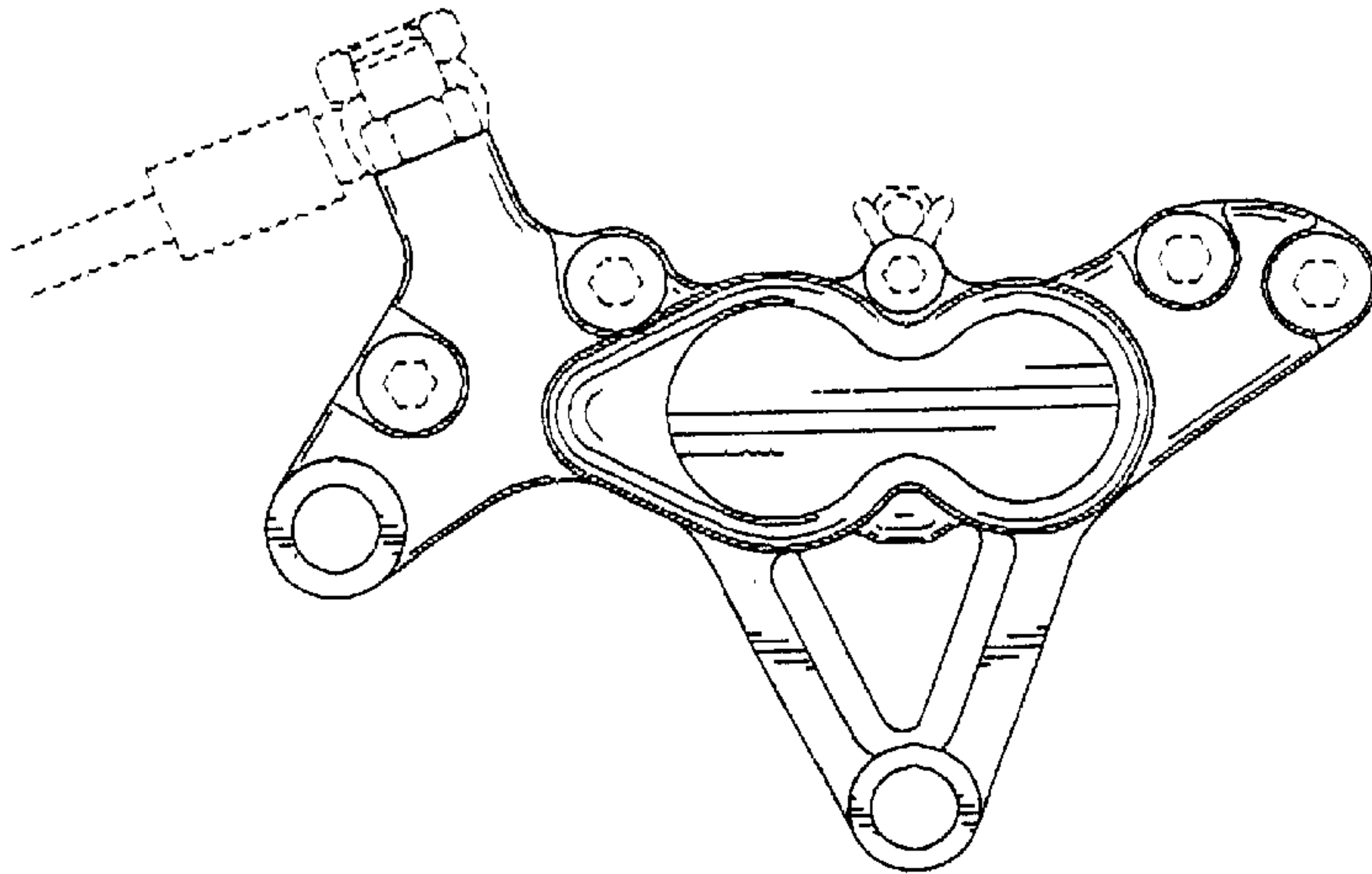


FIG. 2

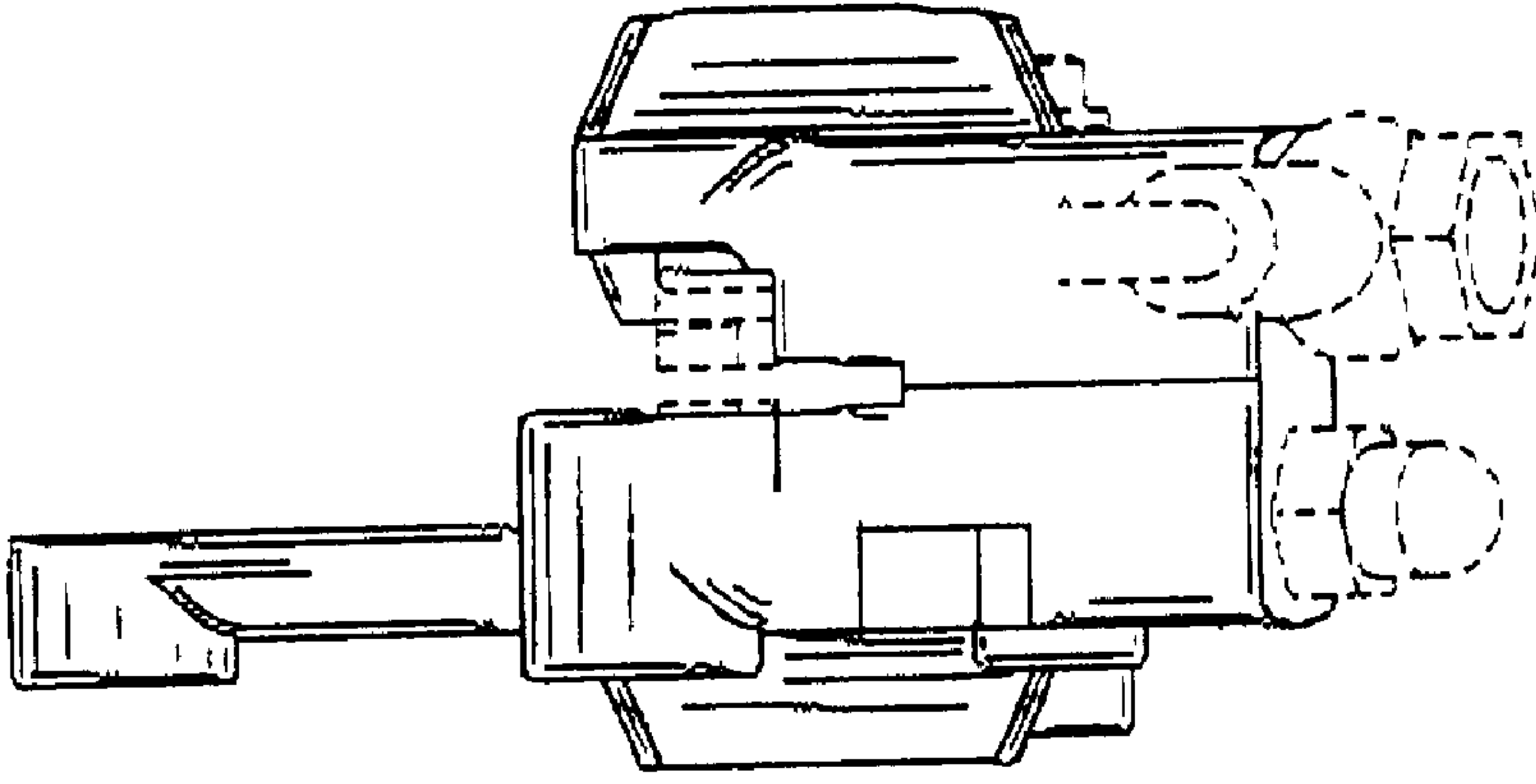


FIG. 7

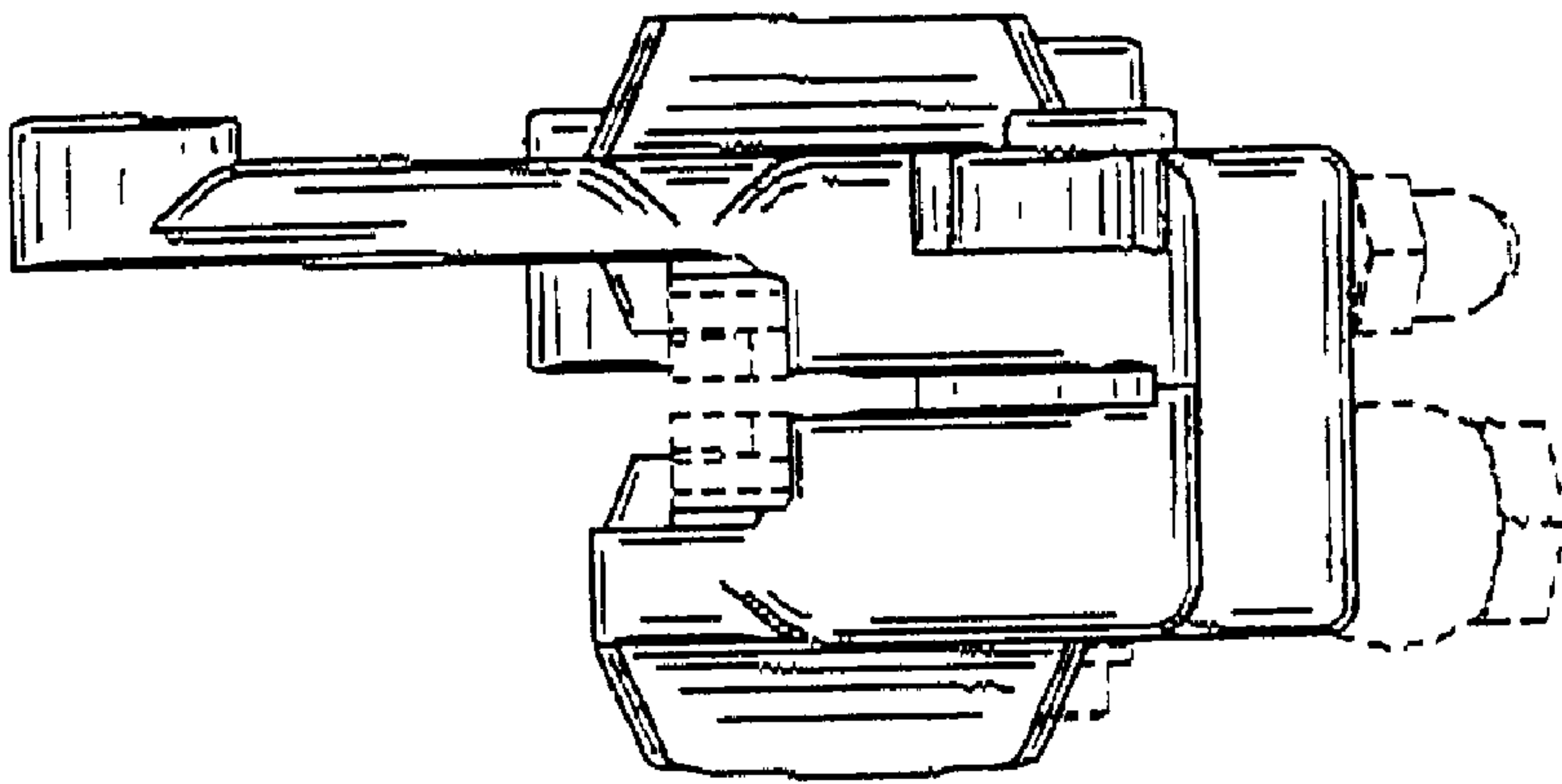


FIG. 6