



US00D436902S

(12) **United States Design Patent**
Kajuch et al.

(10) **Patent No.: US D436,902 S**

(45) **Date of Patent: ** Jan. 30, 2001**

(54) **AIRBAG SHIELD**

(75) **Inventors: Pete Kajuch, Brookfield, WI (US); Kevin Michael Campbell, Des Plaines, IL (US); Wade Totzke, Denver, NC (US); Paul T. King, Chicago, IL (US); Joseph Robert Geringer, Melrose; Stephen Kissam Guerrera, Milford, both of MA (US)**

(73) **Assignee: Master Lock Company, Milwaukee, WI (US)**

(**) **Term: 14 Years**

(21) **Appl. No.: 29/105,323**

(22) **Filed: May 21, 1999**

(51) **LOC (7) Cl. 12-16**

(52) **U.S. Cl. D12/177; D8/331**

(58) **Field of Search D8/331, 330, 346, D8/339; D12/177; 70/57, 158, 207, 209, 210, 225, 226, 237, 252**

(56) **References Cited**

U.S. PATENT DOCUMENTS

D. 372,418	8/1996	Winner	D8/346
D. 385,175	10/1997	Somerfield	D8/330
D. 395,028	* 6/1998	Ho	D12/177
D. 413,250	* 8/1999	Yang	D8/331
1,154,389	9/1915	Fogalsang .	
1,329,913	2/1920	McGuire .	
1,395,532	11/1921	Tilden .	
5,199,284	4/1993	Lin	70/209

5,353,614	10/1994	Anderson	70/209
5,537,847	7/1996	Dalton et al.	70/209
5,540,067	7/1996	Kim	70/209
5,613,383	3/1997	Banez	70/209
5,666,832	9/1997	Cunningham	70/209
5,676,001	10/1997	Ho	70/209
5,706,681	1/1998	Gorokhovskiy	70/209
5,755,123	5/1998	Winner, Jr.	70/209
5,782,116	7/1998	Ryan et al.	70/209
5,815,661	* 2/1999	Ho	70/209
5,906,122	5/1999	Jinn-Fu	70/209
6,016,674	* 1/2000	Yang	70/209

* cited by examiner

Primary Examiner—Melody N. Brown

(74) *Attorney, Agent, or Firm*—Pennie & Edmonds LLP

(57) **CLAIM**

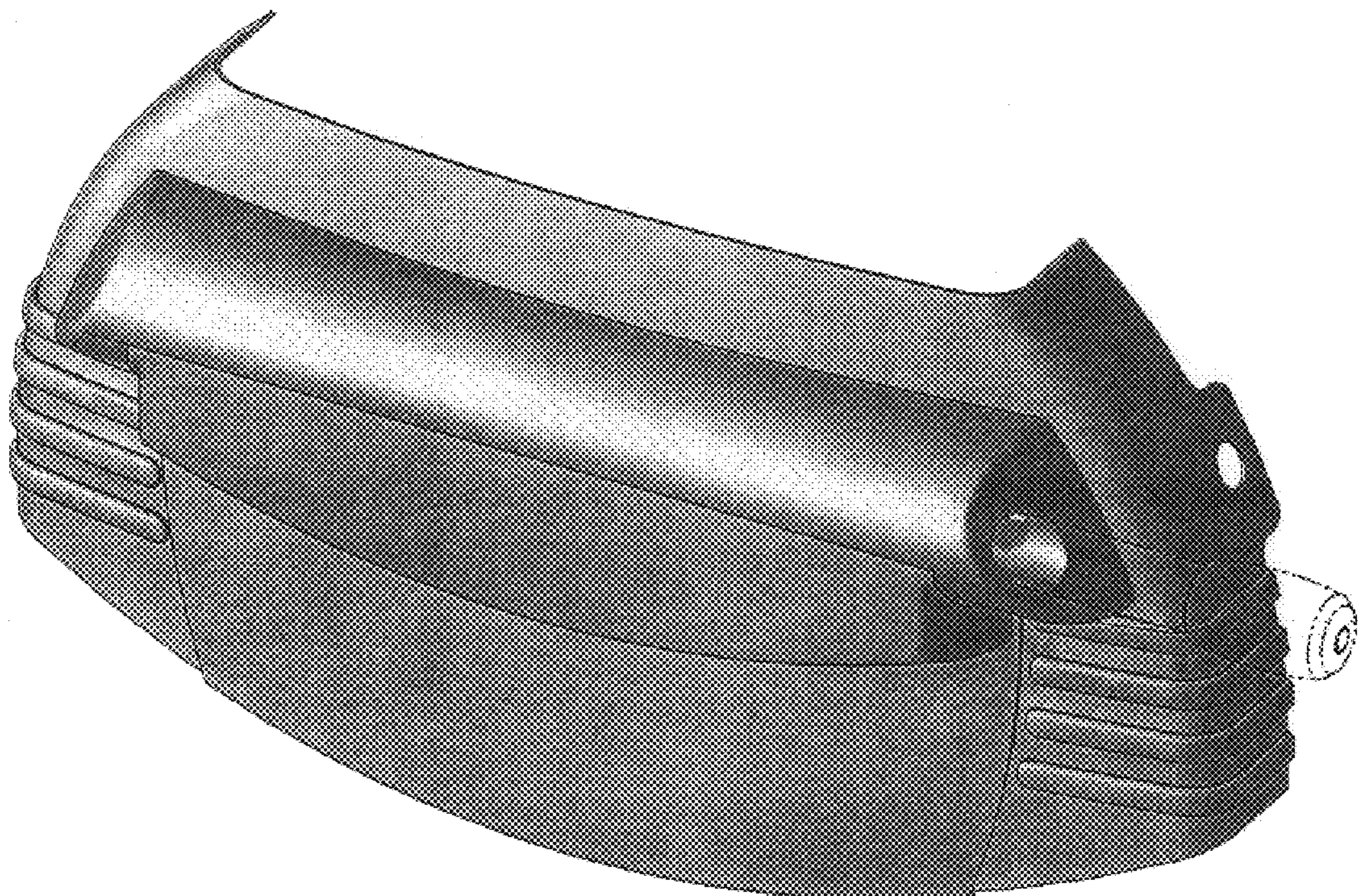
The ornamental design for an airbag shield, as shown and described.

DESCRIPTION

FIG. 1 is a front perspective view of the airbag shield showing our new design;
FIG. 2 is a front view thereof;
FIG. 3 is a back view thereof;
FIG. 4 is a top view thereof;
FIG. 5 is a bottom view thereof;
FIG. 6 is a left end view thereof; and,
FIG. 7 is a right end view thereof.

The portions showing broken lines are not part of the claimed invention, but are included to show environment.

1 Claim, 6 Drawing Sheets



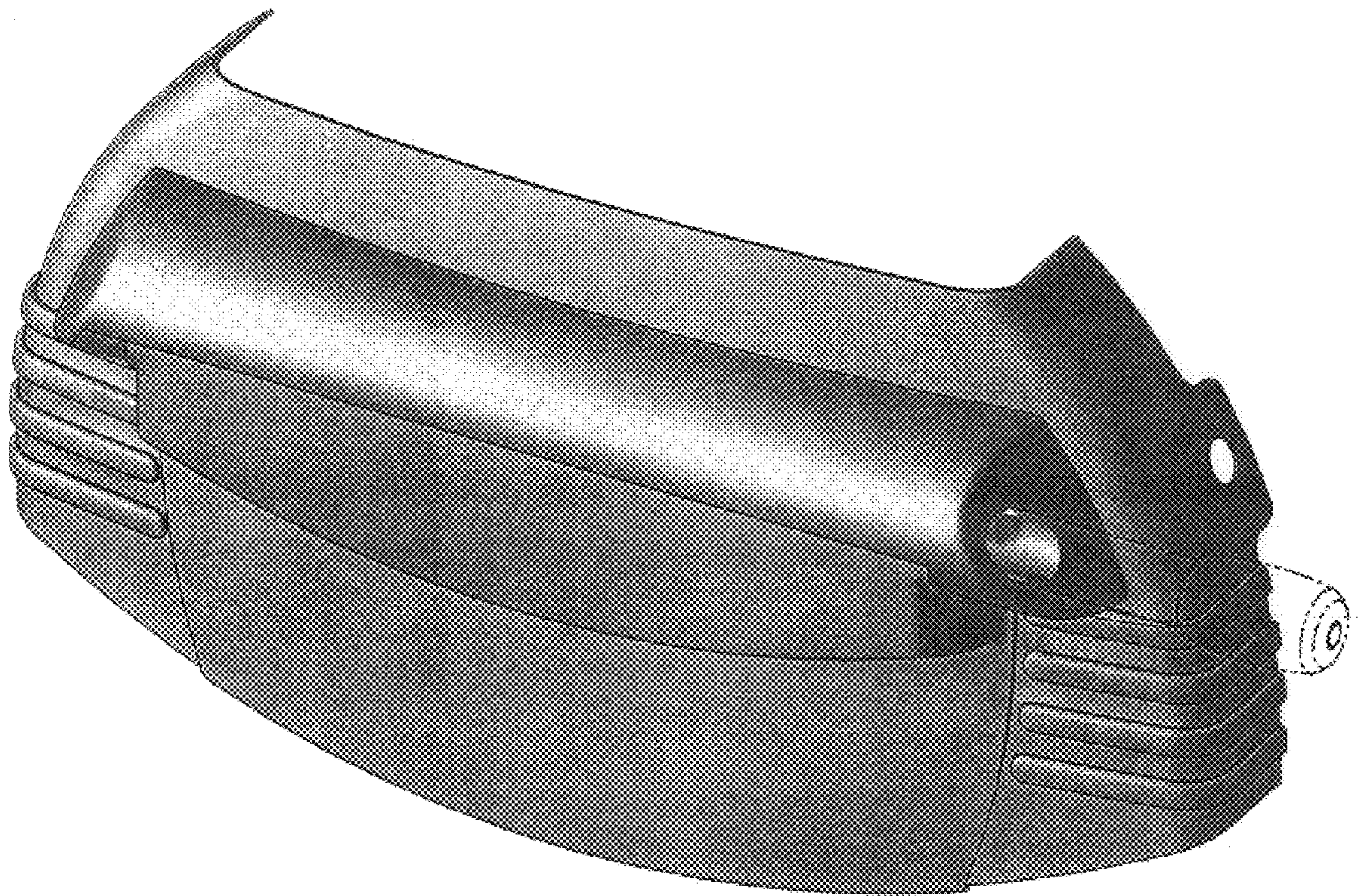


FIG. 1

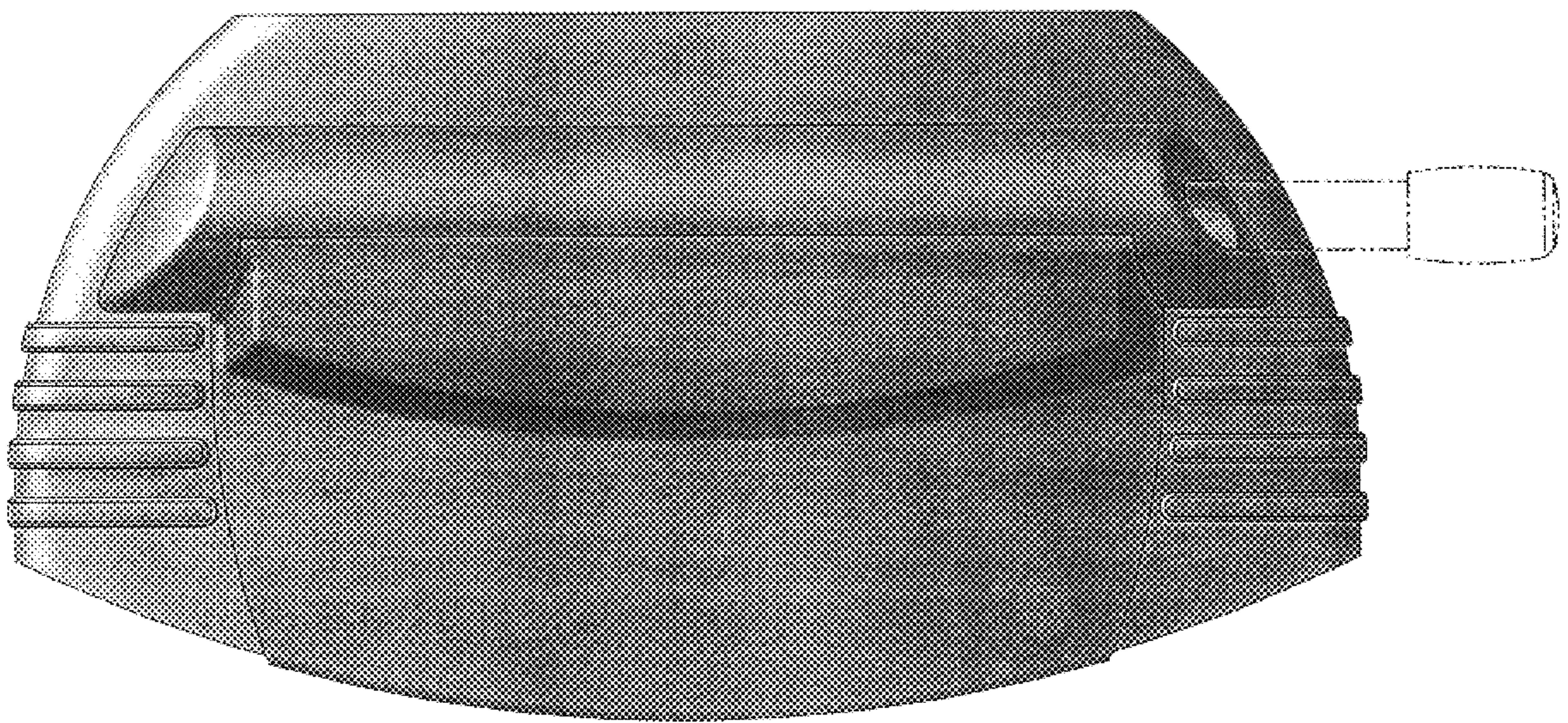


FIG. 2

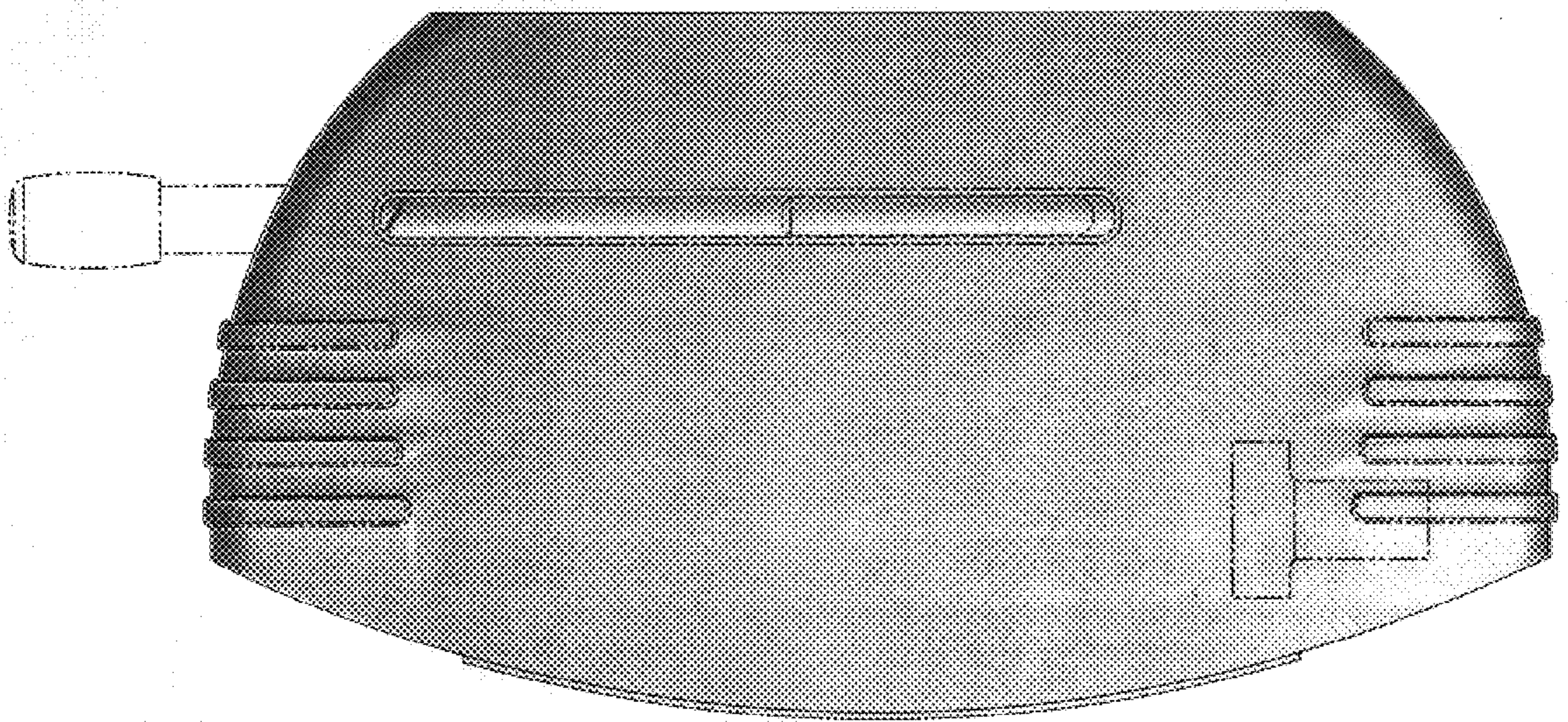


FIG. 3

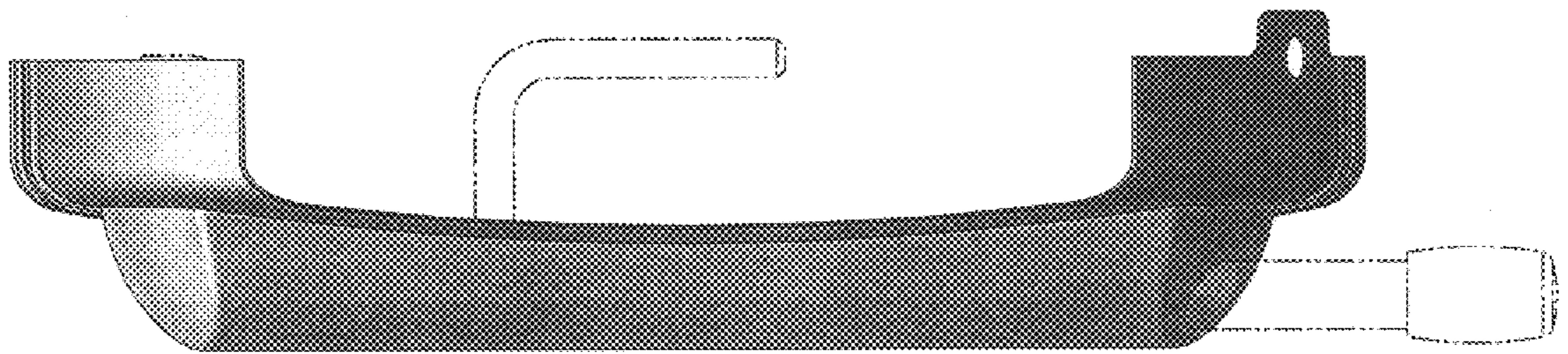


FIG. 4

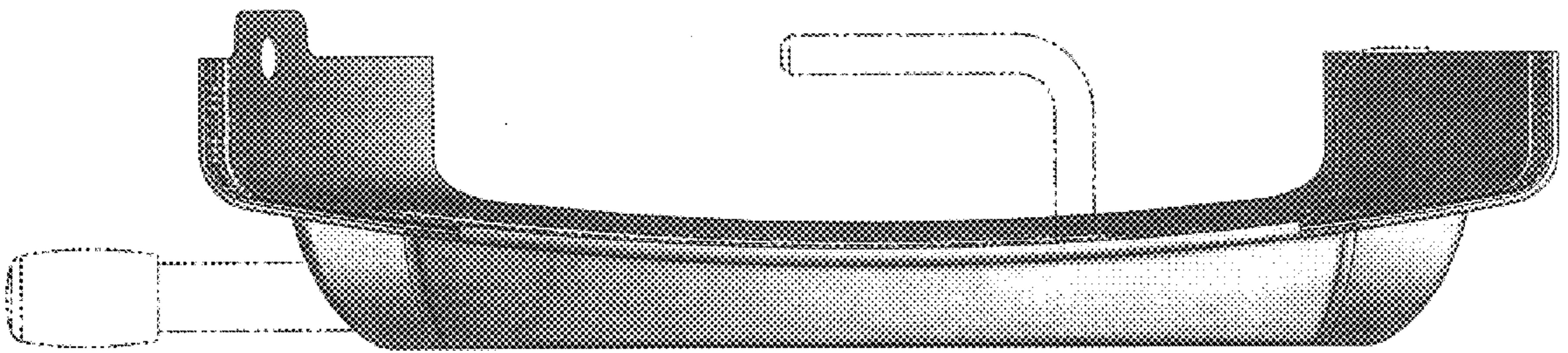


FIG. 5

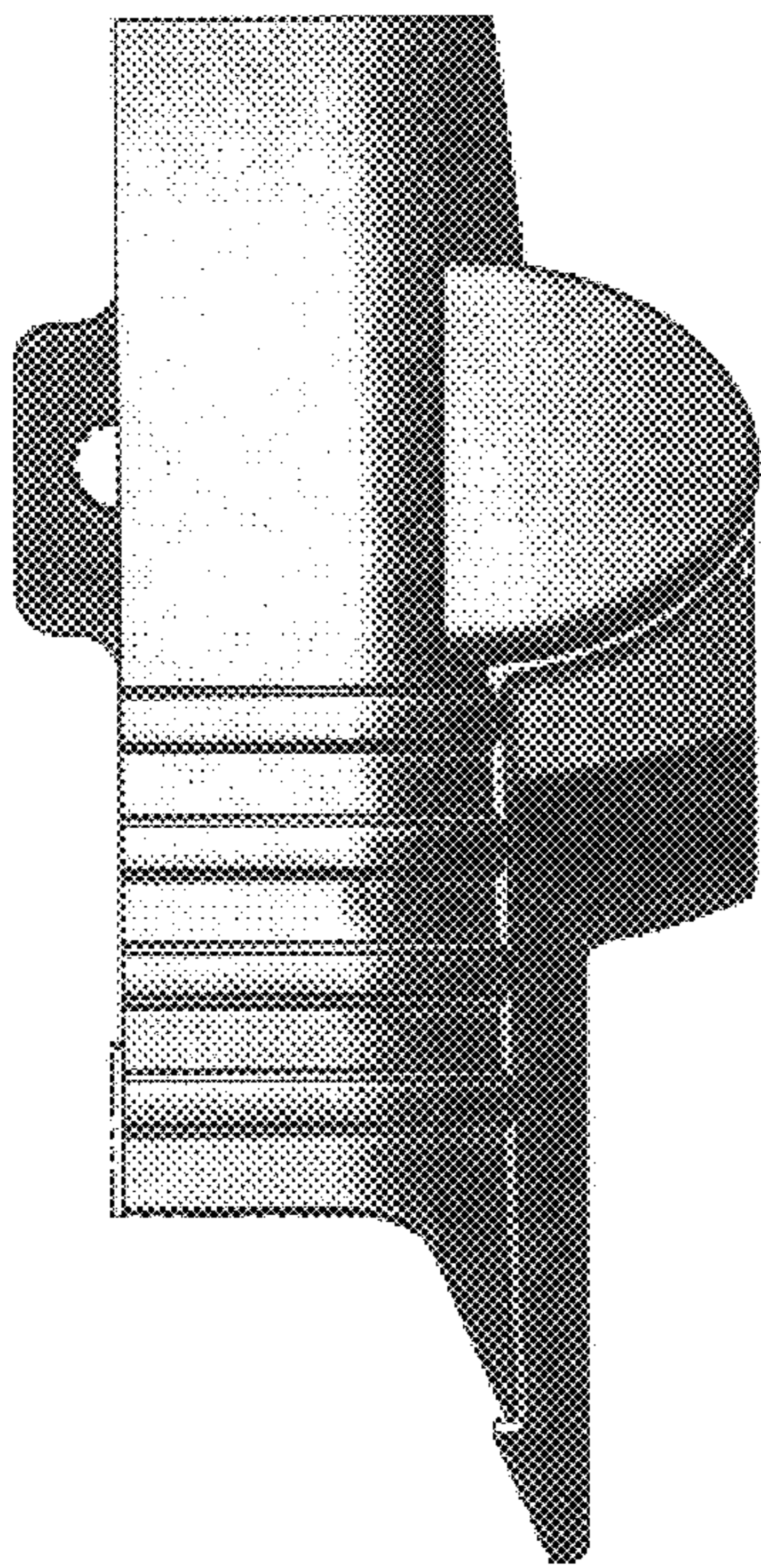


FIG. 6

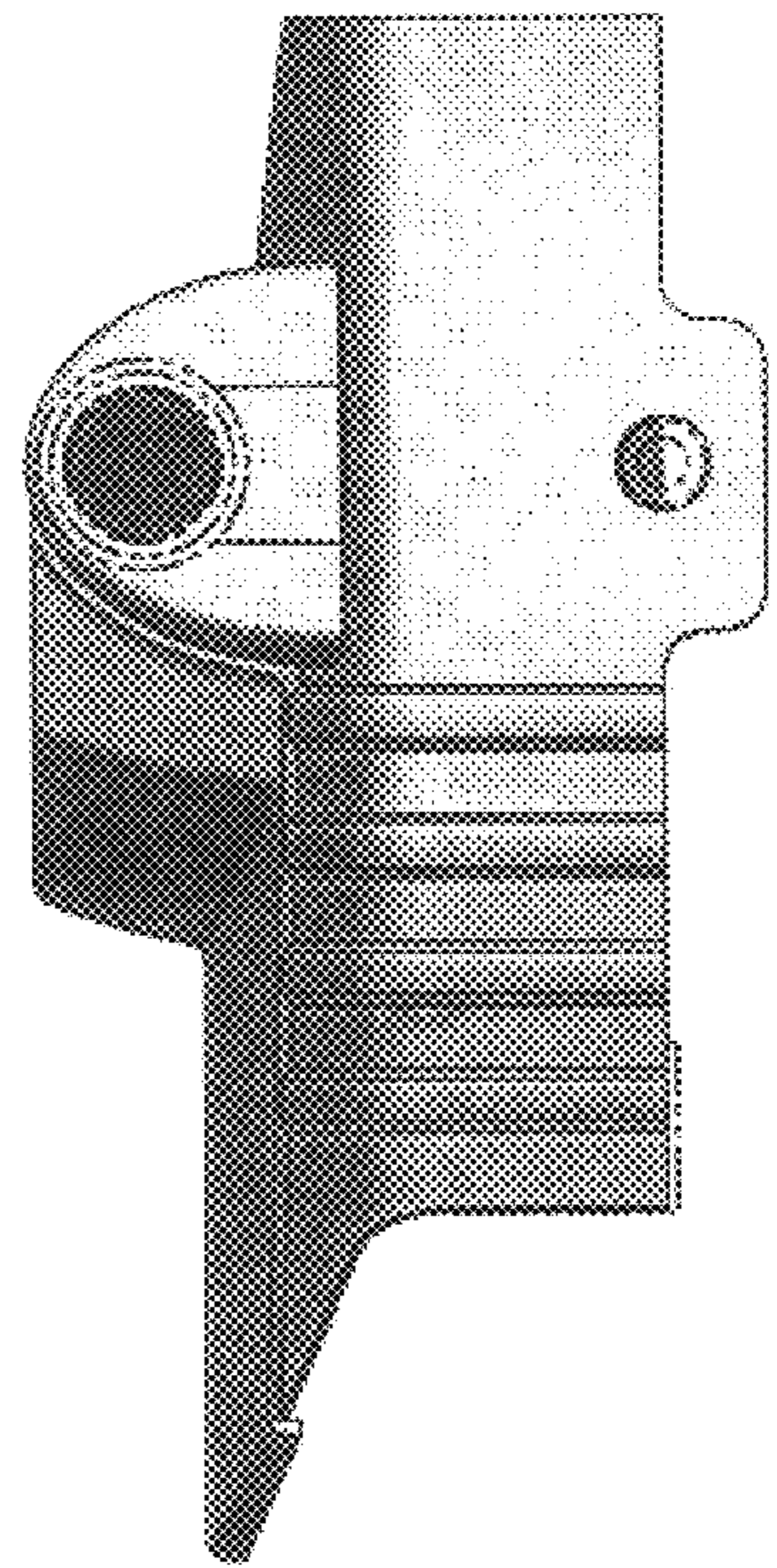


FIG. 7