



US00D436901S

(12) **United States Design Patent**
Brisson

(10) **Patent No.:** **US D436,901 S**

(45) **Date of Patent:** **** Jan. 30, 2001**

(54) **TRAILER HITCH**

(76) Inventor: **Reynald Brisson**, 163 7th Avenue, P.O.
Box 2072, Cochrane, Ontario (CA), P0L
1C0

(**) Term: **14 Years**

(21) Appl. No.: **29/121,296**

(22) Filed: **Apr. 5, 2000**

(51) **LOC (7) Cl.** **12-16**

(52) **U.S. Cl.** **D12/162**

(58) **Field of Search** D12/162; 280/406.2,
280/451, 415.1, 480, 490.1, 500, 504, 511,
493-495, 416.1-416.3, 417

(56) **References Cited**

U.S. PATENT DOCUMENTS

- D. 258,257 * 2/1981 Jackson D12/162
- D. 279,665 * 7/1985 Landry, Jr. D12/162
- D. 331,558 * 12/1992 Hayes, Jr. D12/162
- D. 379,608 * 6/1997 Rodriguez D12/162

- D. 401,542 * 11/1998 Lindenman et al. D12/162
- D. 409,124 * 5/1999 Bank D12/162
- D. 415,725 * 10/1999 Wyant D12/162
- D. 418,094 * 12/1999 Schmidt et al. D12/162

* cited by examiner

Primary Examiner—Stacia Cadmus

(57) **CLAIM**

The ornamental design for a trailer hitch, as shown and described.

DESCRIPTION

FIG. 1 is a perspective view of a trailer hitch, showing my new design;
 FIG. 2 is a front view thereof;
 FIG. 3 is a back view thereof;
 FIG. 4 is a top view thereof;
 FIG. 5 is a left side view thereof;
 FIG. 6 is a bottom view thereof; and,
 FIG. 7 is a right side view thereof.

1 Claim, 4 Drawing Sheets

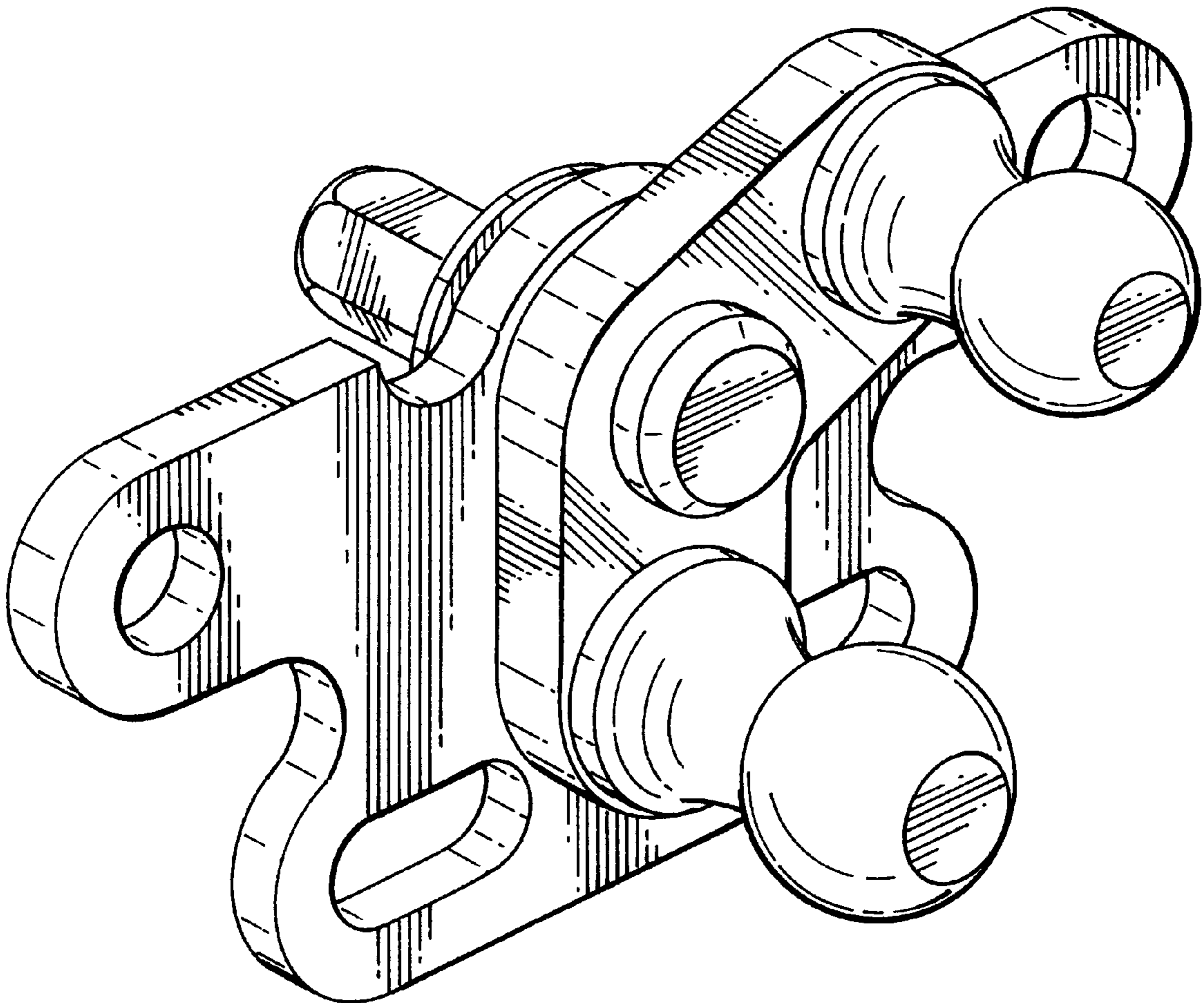


FIG. 1.

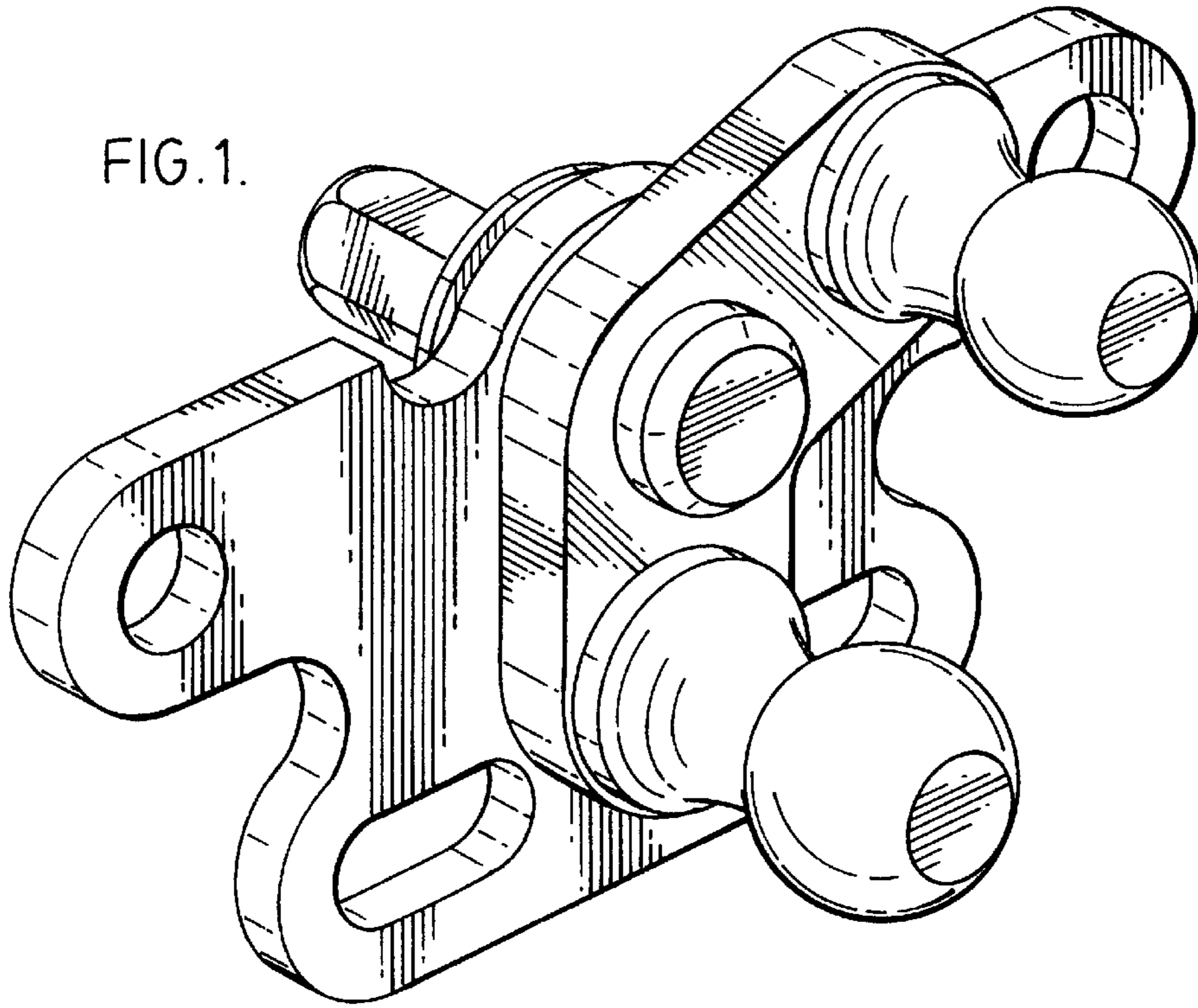


FIG. 2.

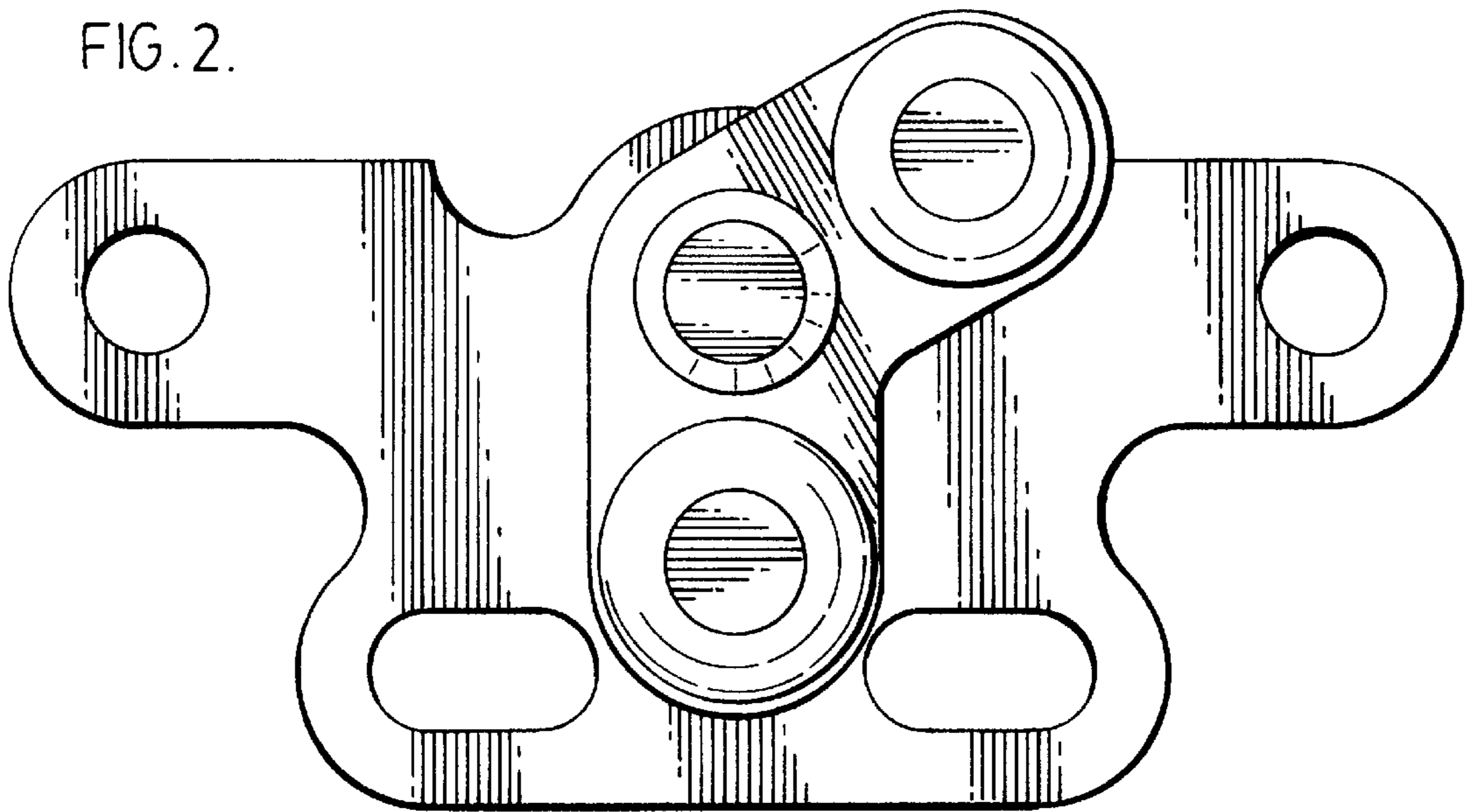


FIG. 3.

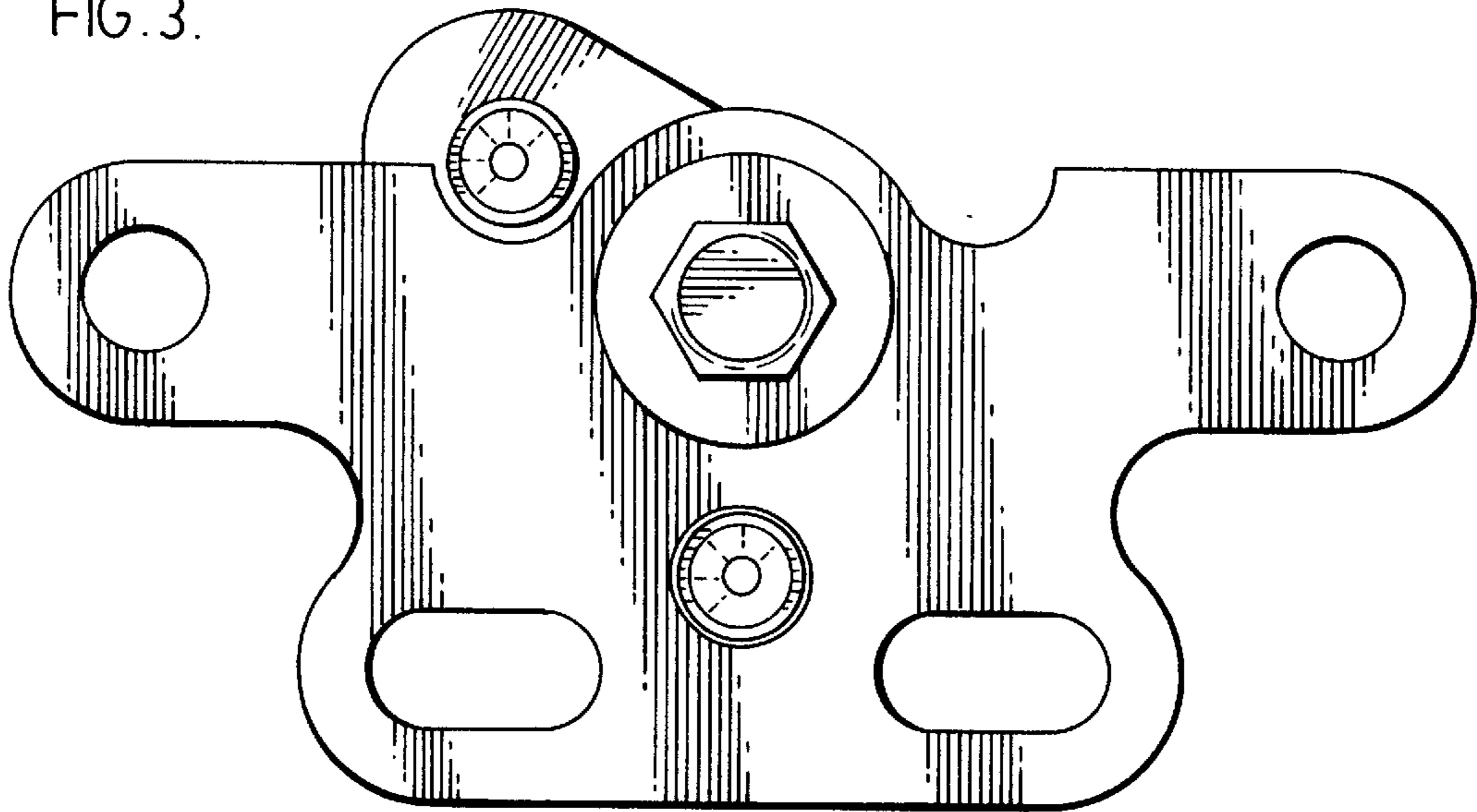


FIG. 4.

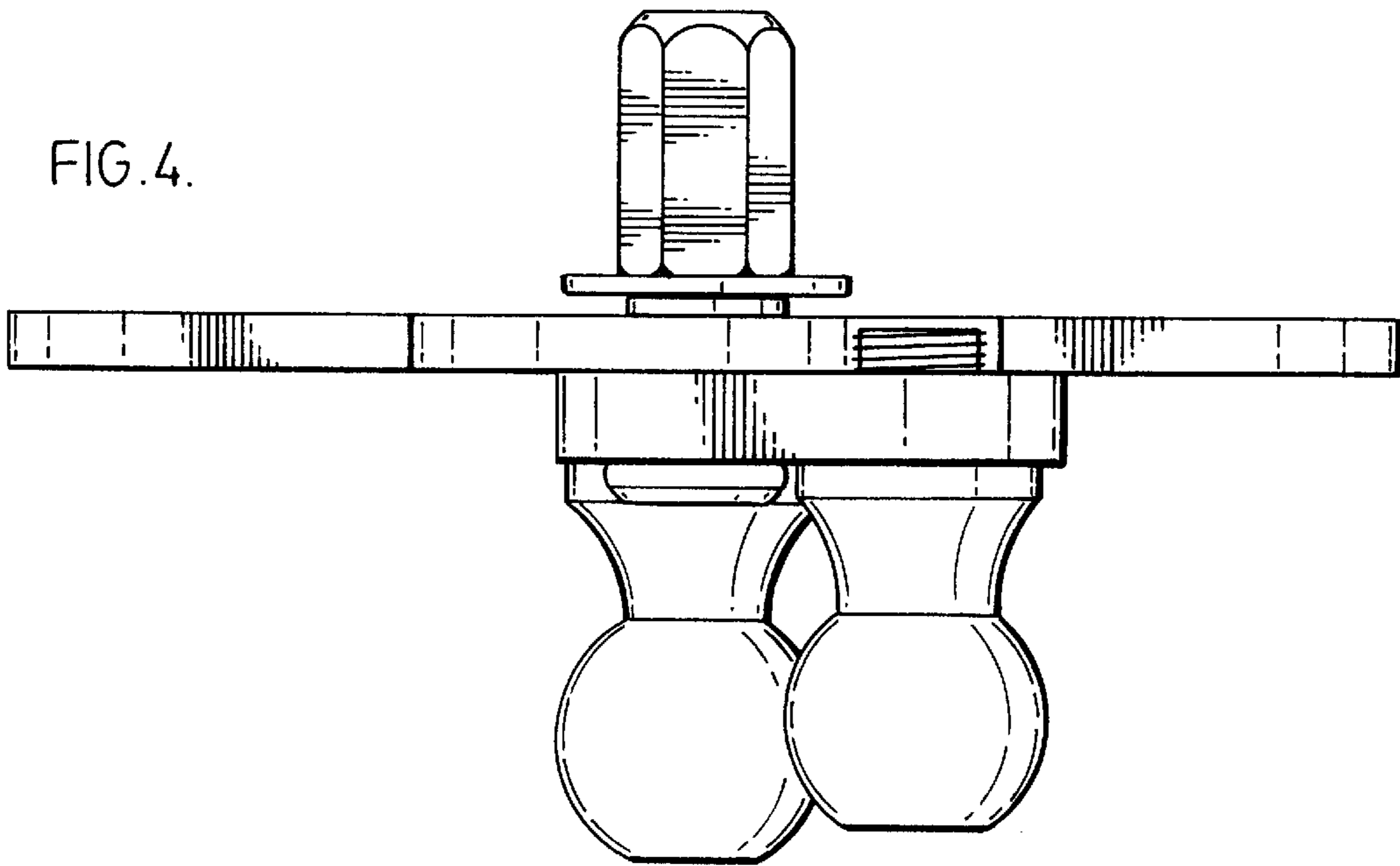


FIG. 5.

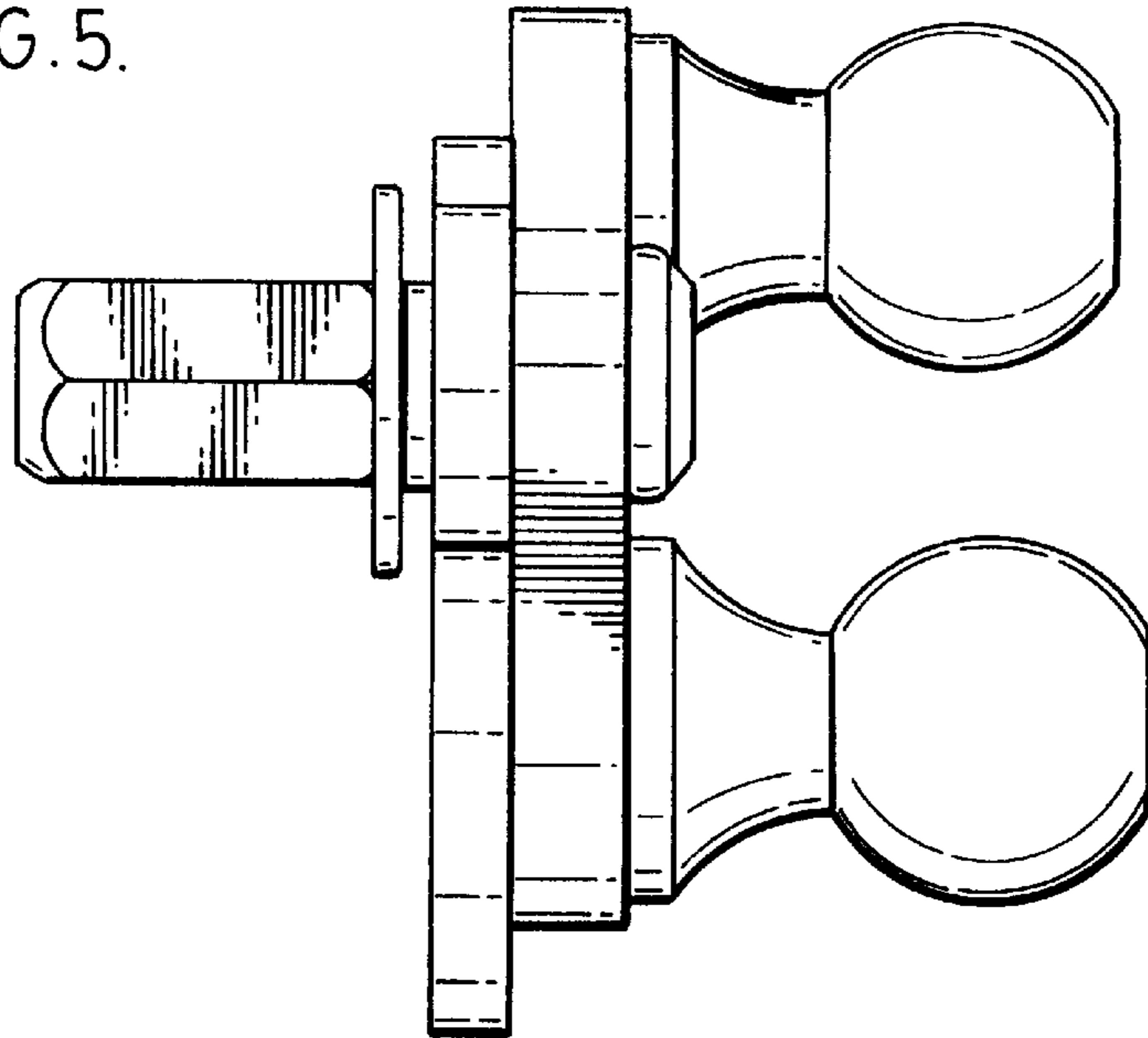


FIG. 6.

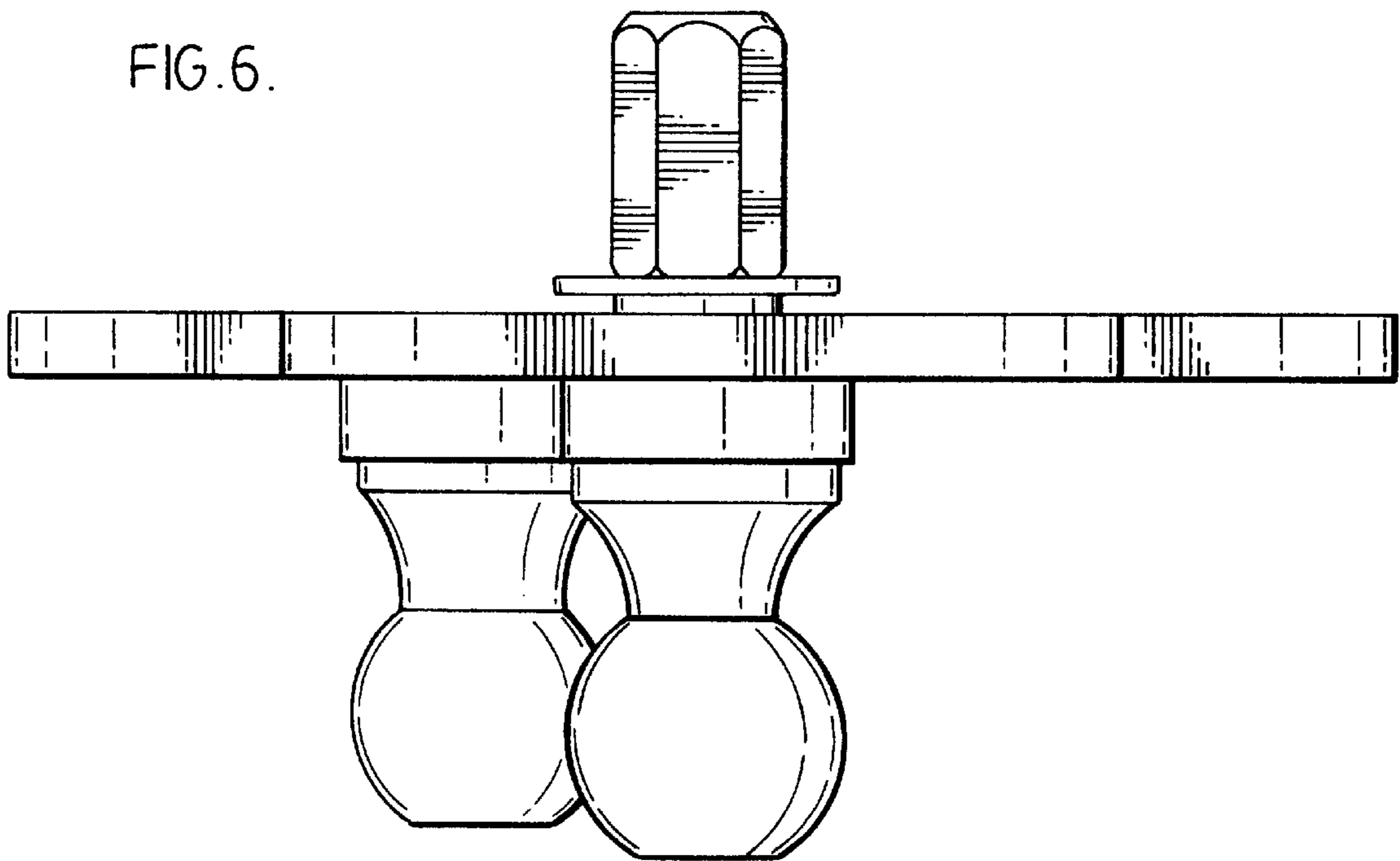


FIG. 7.

