



US00D436899S

(12) **United States Design Patent**
Suzuki

(10) **Patent No.:** **US D436,899 S**

(45) **Date of Patent:** **** Jan. 30, 2001**

(54) **BABY STROLLER**

(75) Inventor: **Yoshiyuki Suzuki**, Tokyo (JP)

(73) Assignee: **Combi Corporation**, Tokyo (JP)

(**) Term: **14 Years**

(21) Appl. No.: **29/111,227**

(22) Filed: **Sep. 24, 1999**

(30) **Foreign Application Priority Data**

Aug. 30, 1999 (JP) 11-22927

(51) **LOC (7) Cl.** **12-12**

(52) **U.S. Cl.** **D12/129**

(58) **Field of Search** D12/128-133;
280/642, 643, 644, 647, 648, 649, 650,
30

(56) **References Cited**

U.S. PATENT DOCUMENTS

- D. 305,218 12/1989 Nakao et al. .
- D. 352,017 * 11/1994 Kaneko D12/129
- D. 360,173 7/1995 Nishio et al. .
- D. 365,784 * 1/1996 Wennerstrom et al. D12/129

- D. 402,234 * 12/1998 Julien et al. D12/129
- 5,676,386 * 10/1997 Huang 280/30

* cited by examiner

Primary Examiner—Kay H. Chin

(74) *Attorney, Agent, or Firm*—Sughrue, Mion, Zinn,
Macpeak & Seas, PLLC

(57) **CLAIM**

The ornamental design for a baby stroller, as shown and described.

DESCRIPTION

FIG. 1 is a perspective view of the front and left side of a baby stroller showing my new design;
 FIG. 2 is a front elevational view thereof;
 FIG. 3 is a top plan view thereof;
 FIG. 4 is a right side elevational view thereof;
 FIG. 5 is a left side elevational view thereof;
 FIG. 6 is a rear elevational view thereof;
 FIG. 7 is a bottom plan view thereof;
 FIG. 8 is a perspective view of the front and left side of the baby stroller in the folded condition; and,
 FIG. 9 is a perspective view of the rear and right side of the baby stroller in the folded condition.

1 Claim, 9 Drawing Sheets



FIG. 1



FIG. 2

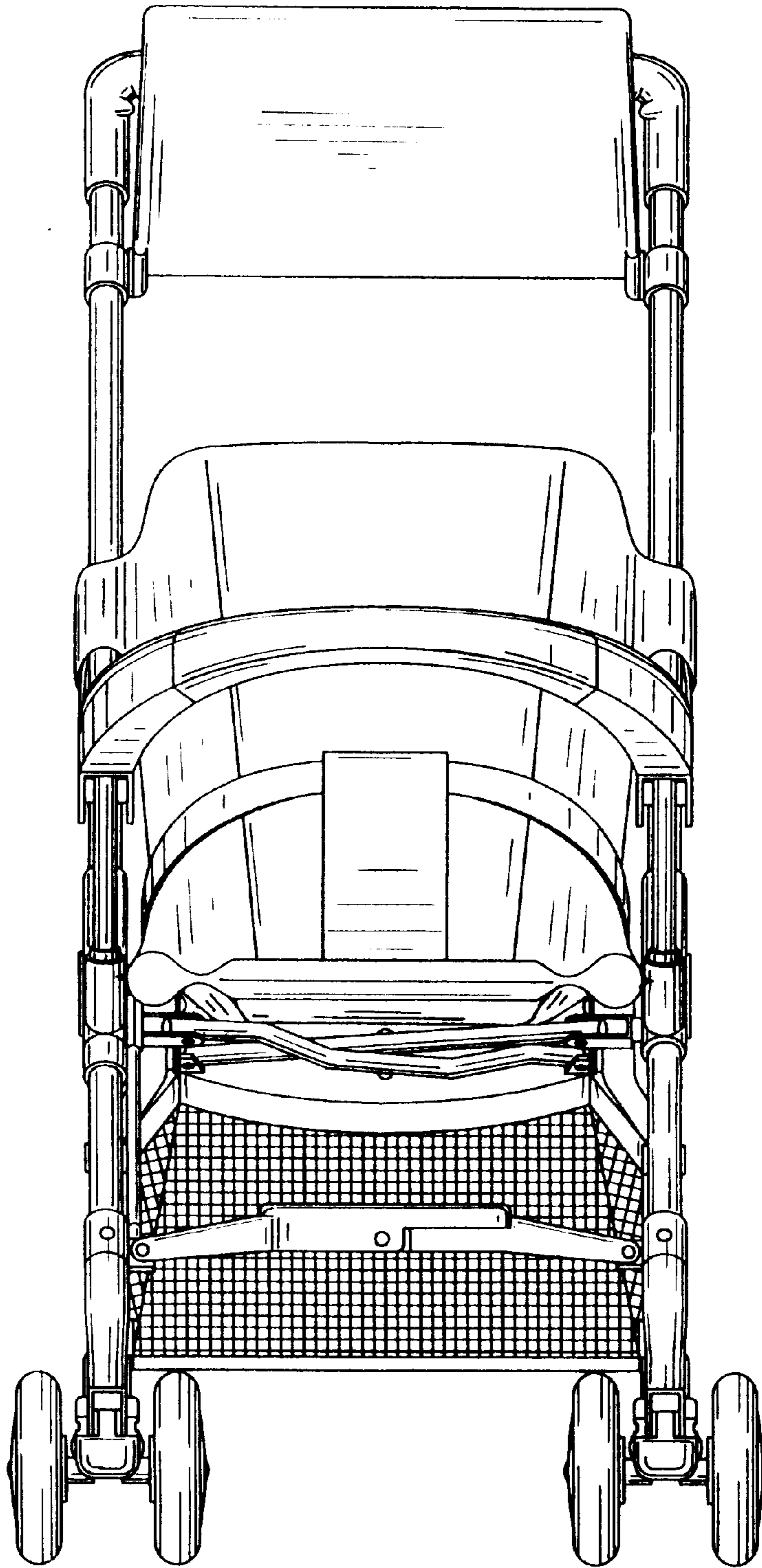


FIG. 3

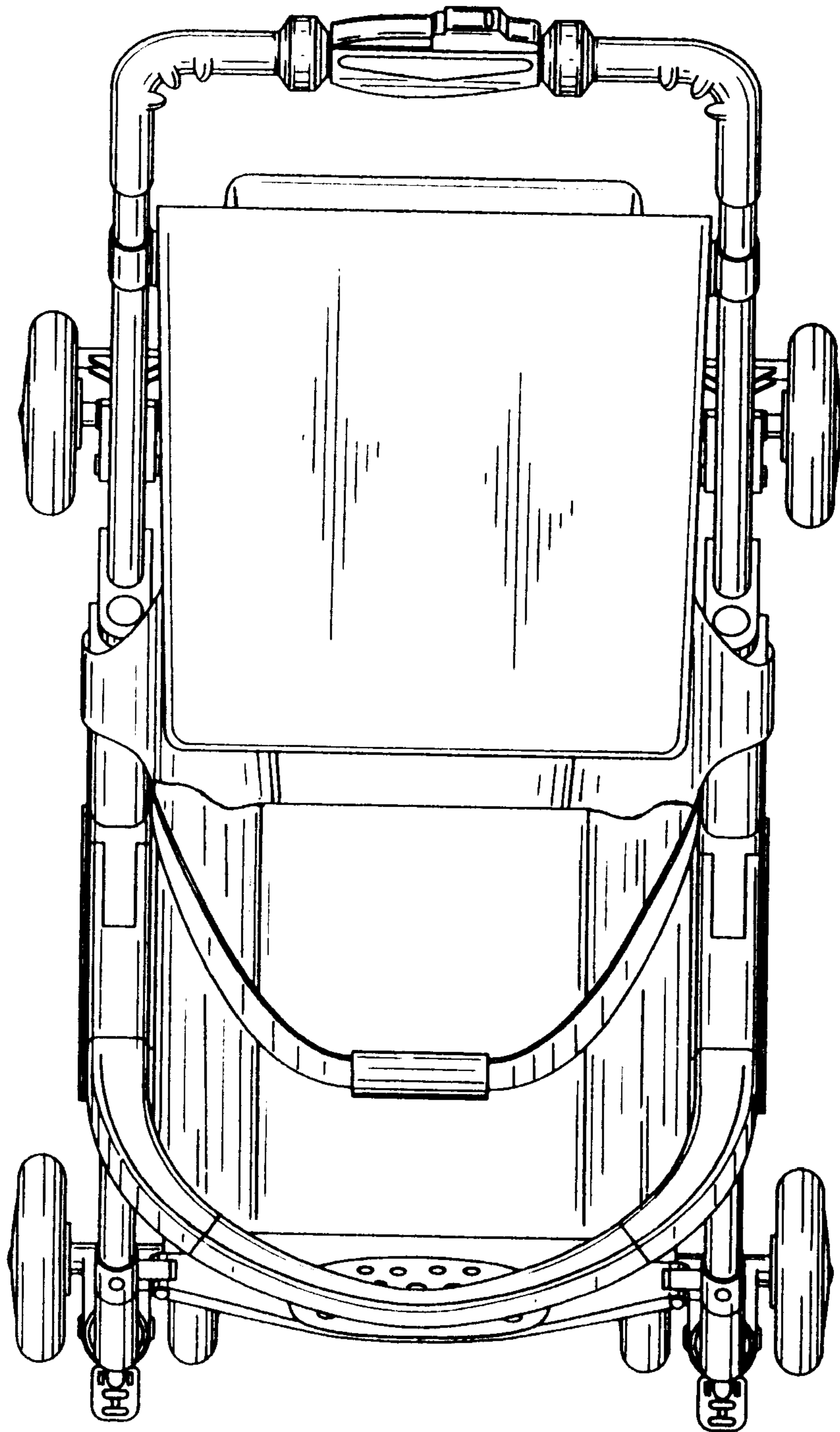


FIG. 4

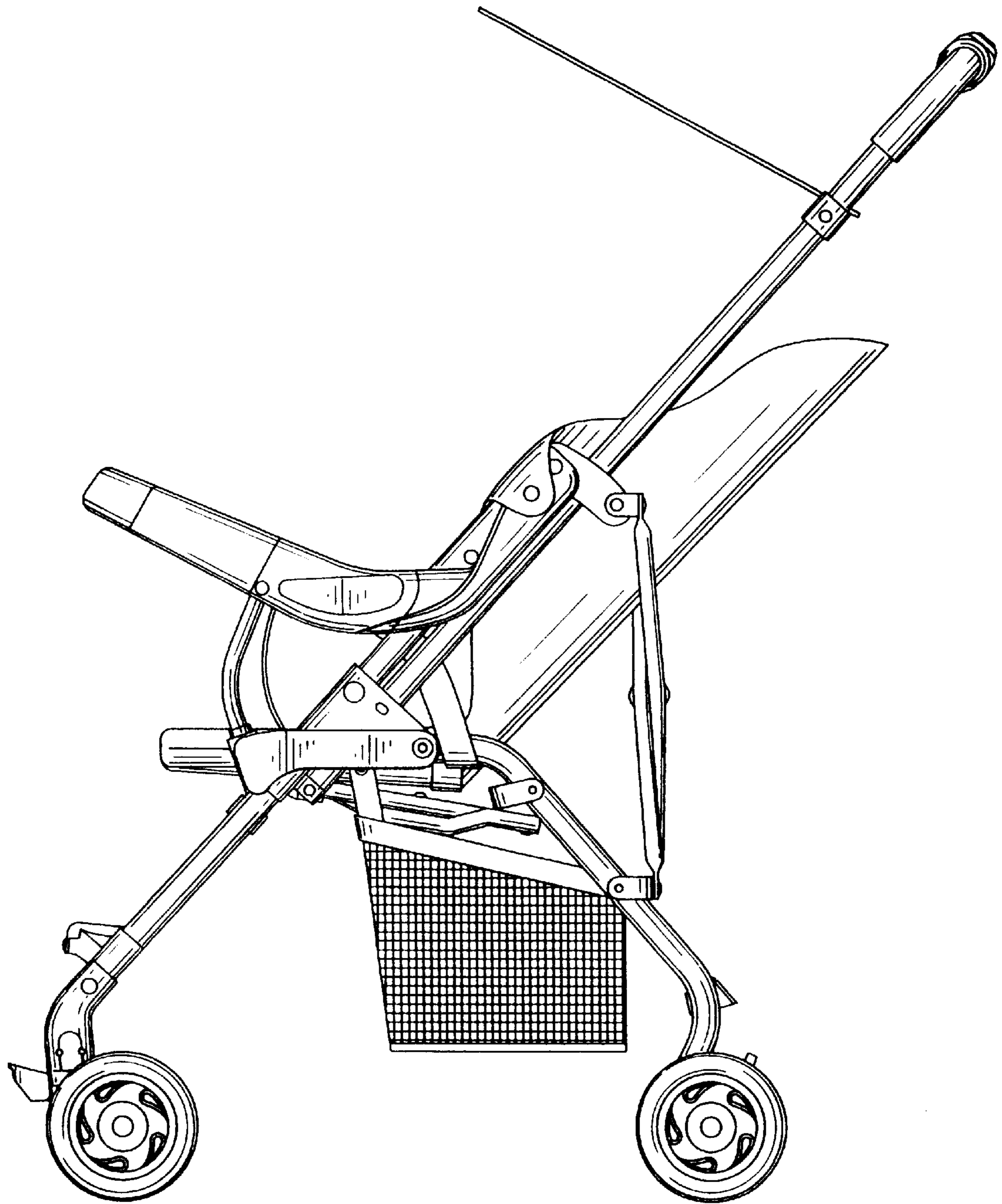


FIG. 5

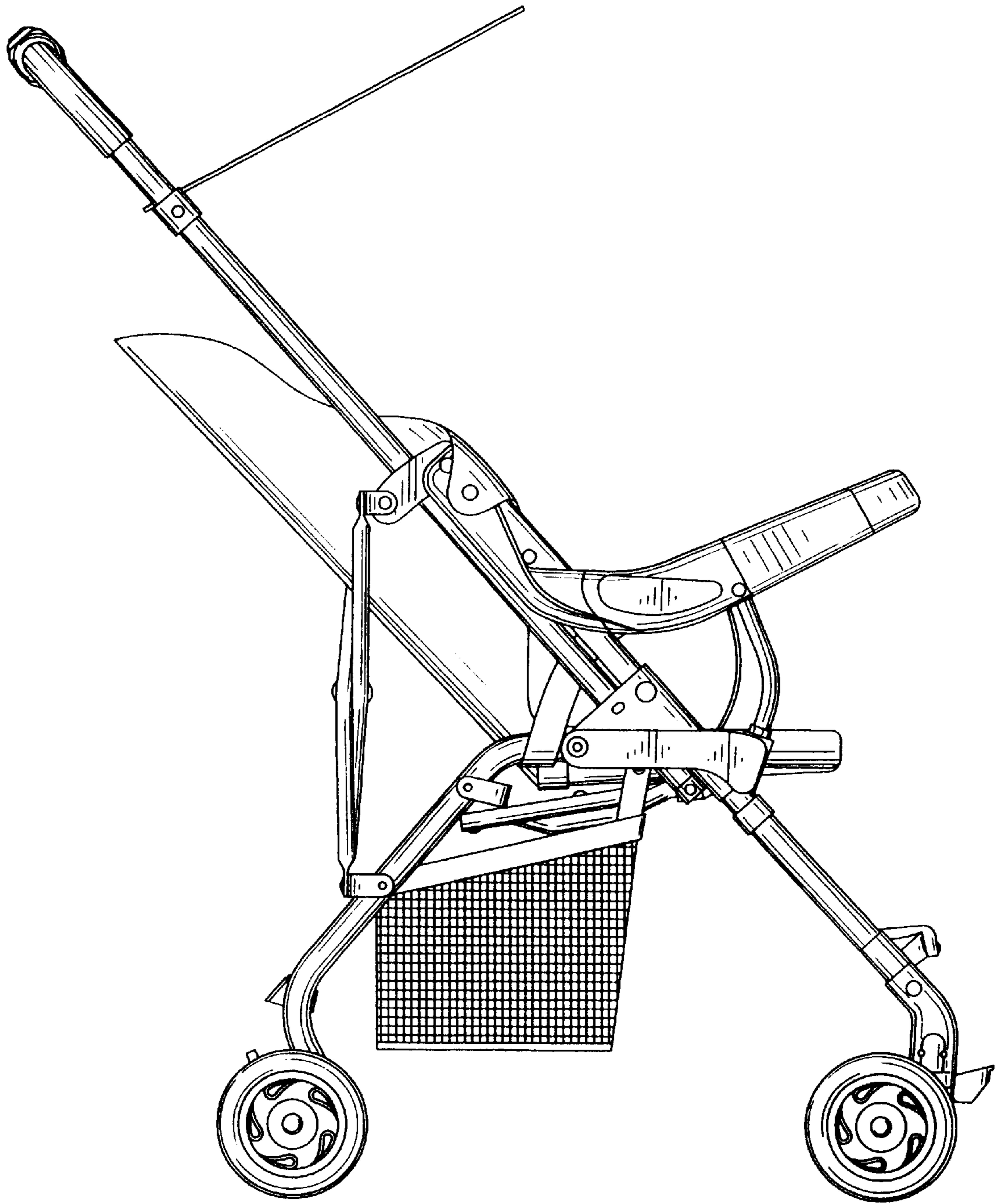


FIG. 6

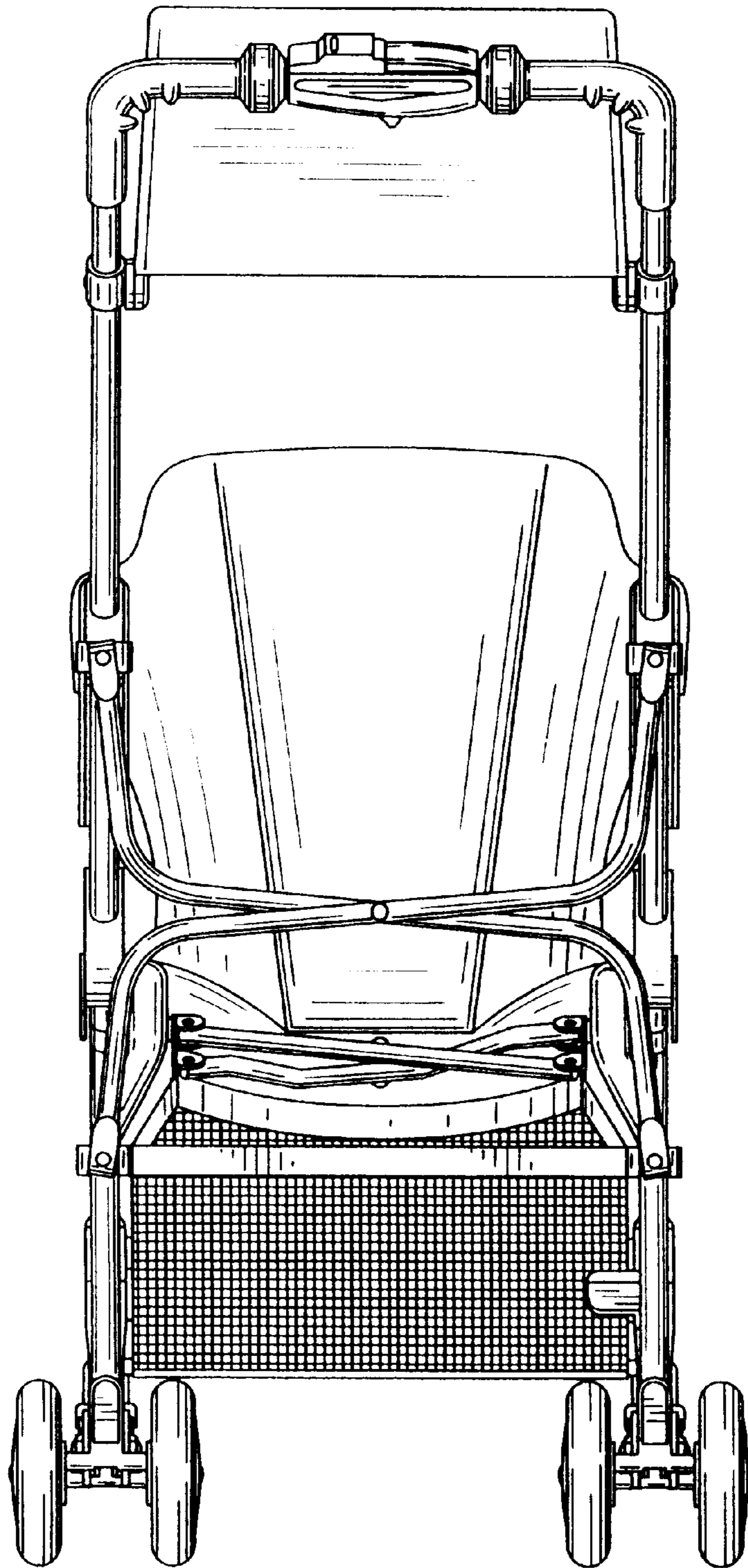


FIG. 7

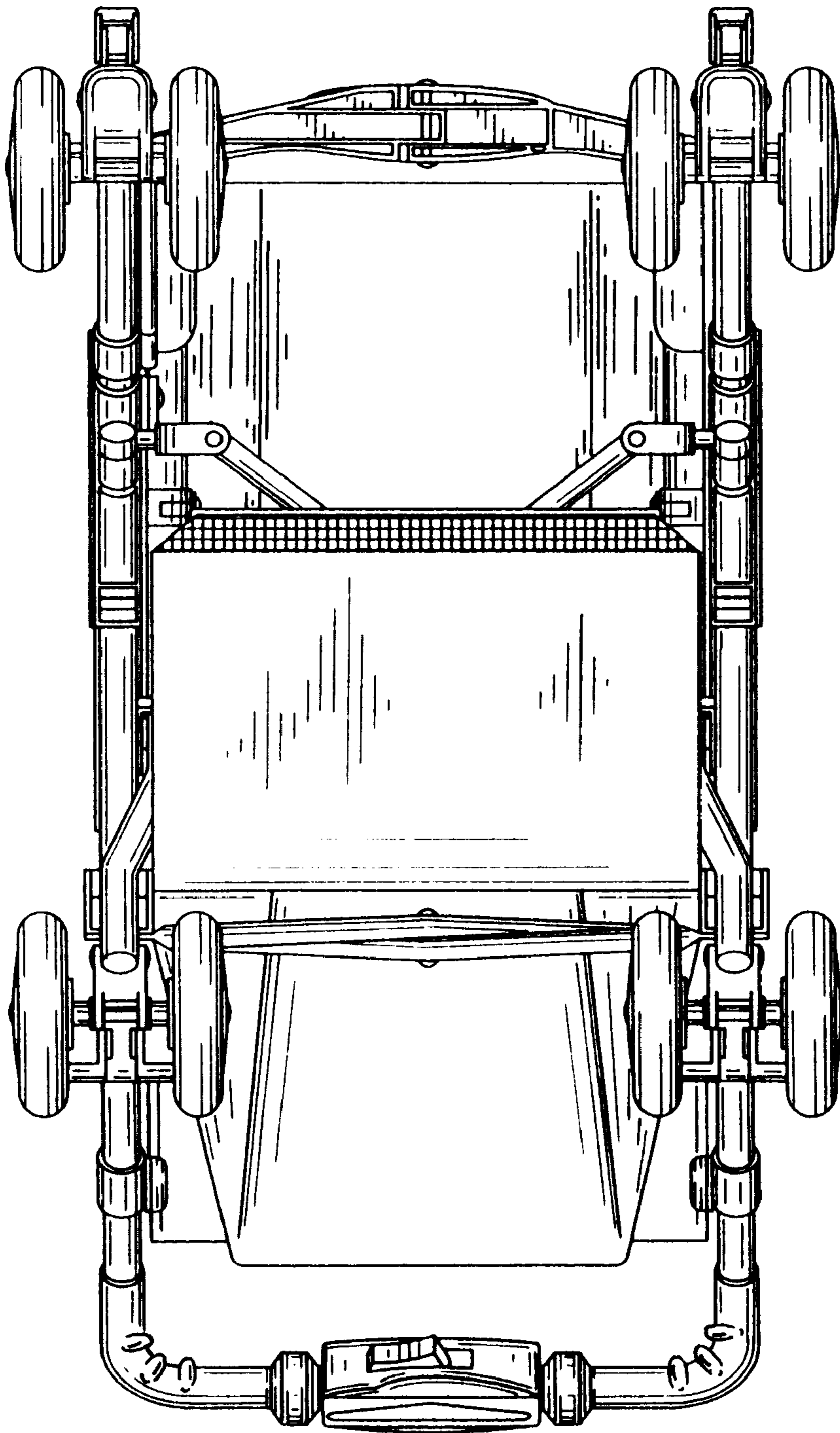


FIG. 8

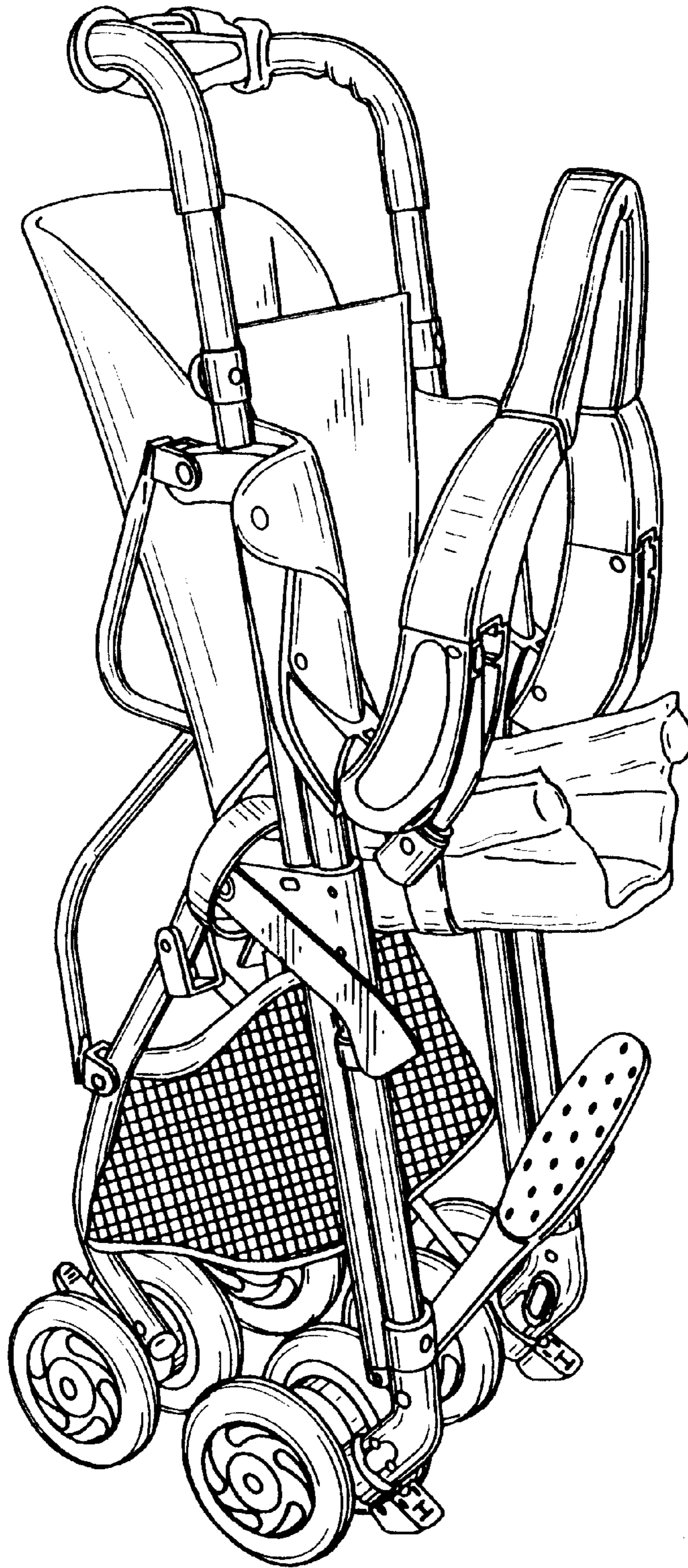


FIG. 9

