



US00D436897S

(12) **United States Design Patent**
Chiappepta et al.

(10) **Patent No.:** **US D436,897 S**

(45) **Date of Patent:** **** Jan. 30, 2001**

(54) **TRICYCLE**

4,657,270 * 4/1987 Allen et al. D12/112 X

(75) Inventors: **Gary T. Chiappepta**, Hinsdale; **Robert F. Pasin**, Oak Park, both of IL (US)

* cited by examiner

(73) Assignee: **Radio Flyer, Inc.**, Chicago, IL (US)

Primary Examiner—Melody N. Brown

(**) Term: **14 Years**

(74) *Attorney, Agent, or Firm*—Piper Marbury Rudnick & Wolfe

(21) Appl. No.: **29/120,516**

(57) **CLAIM**

(22) Filed: **Mar. 20, 2000**

The ornamental design for a tricycle, as shown.

(51) **LOC (7) Cl.** **12-11**

DESCRIPTION

(52) **U.S. Cl.** **D12/113**

FIG. 1 is a perspective view of a tricycle showing our new design;

(58) **Field of Search** D12/113, 112

FIG. 2 is a side elevational view of the tricycle;

(56) **References Cited**

U.S. PATENT DOCUMENTS

- D. 250,204 * 11/1978 Reese D12/113 X
- D. 334,157 * 3/1993 Tonelli D12/113
- D. 366,635 * 1/1996 Pasin et al. D12/112

FIG. 3 is a front elevational view of the tricycle;

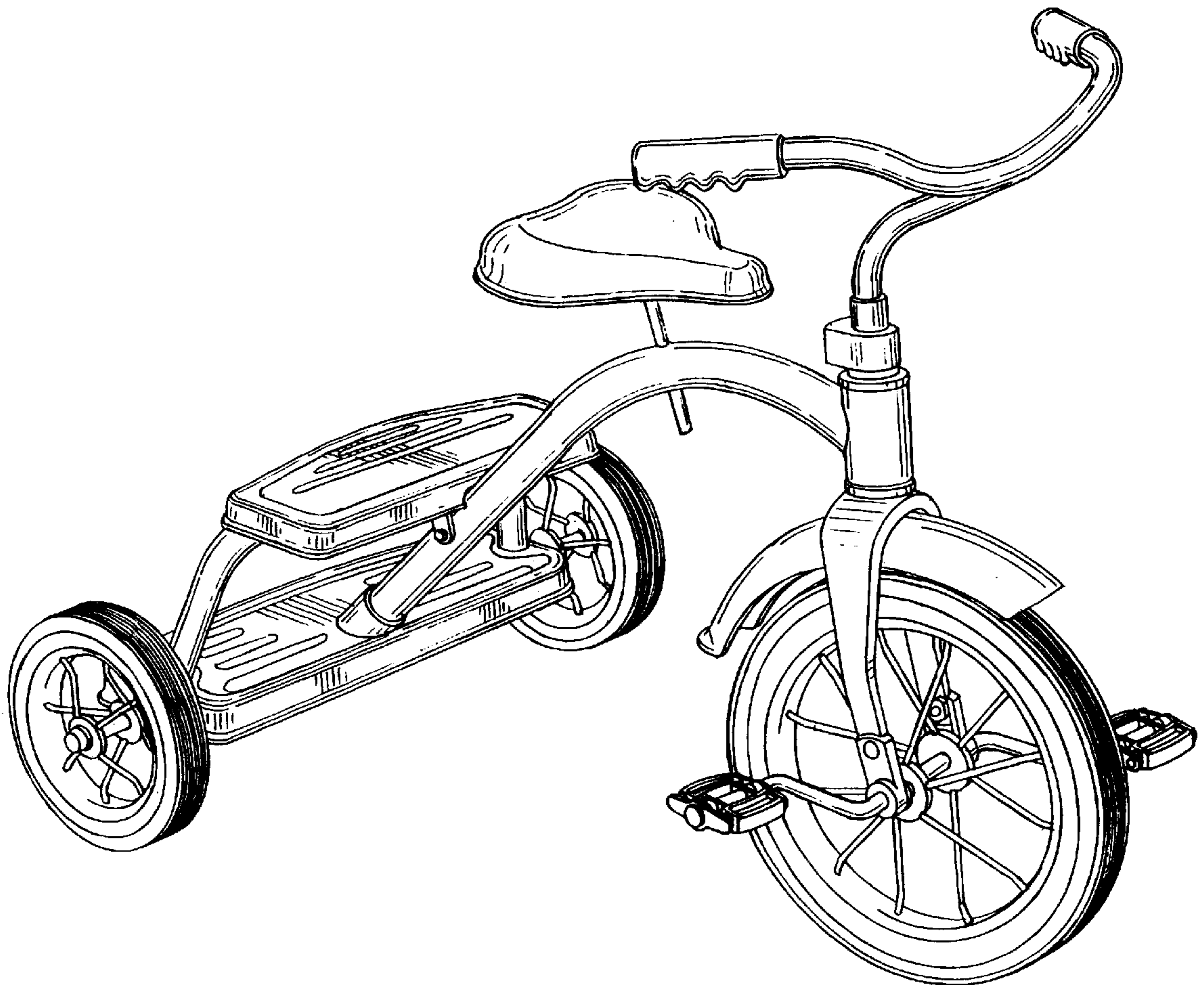
FIG. 4 is a side elevational view of the tricycle;

FIG. 5 is a rear elevational view of the tricycle;

FIG. 6 is a top plan view of the tricycle; and,

FIG. 7 is a bottom plan view of the tricycle.

1 Claim, 4 Drawing Sheets



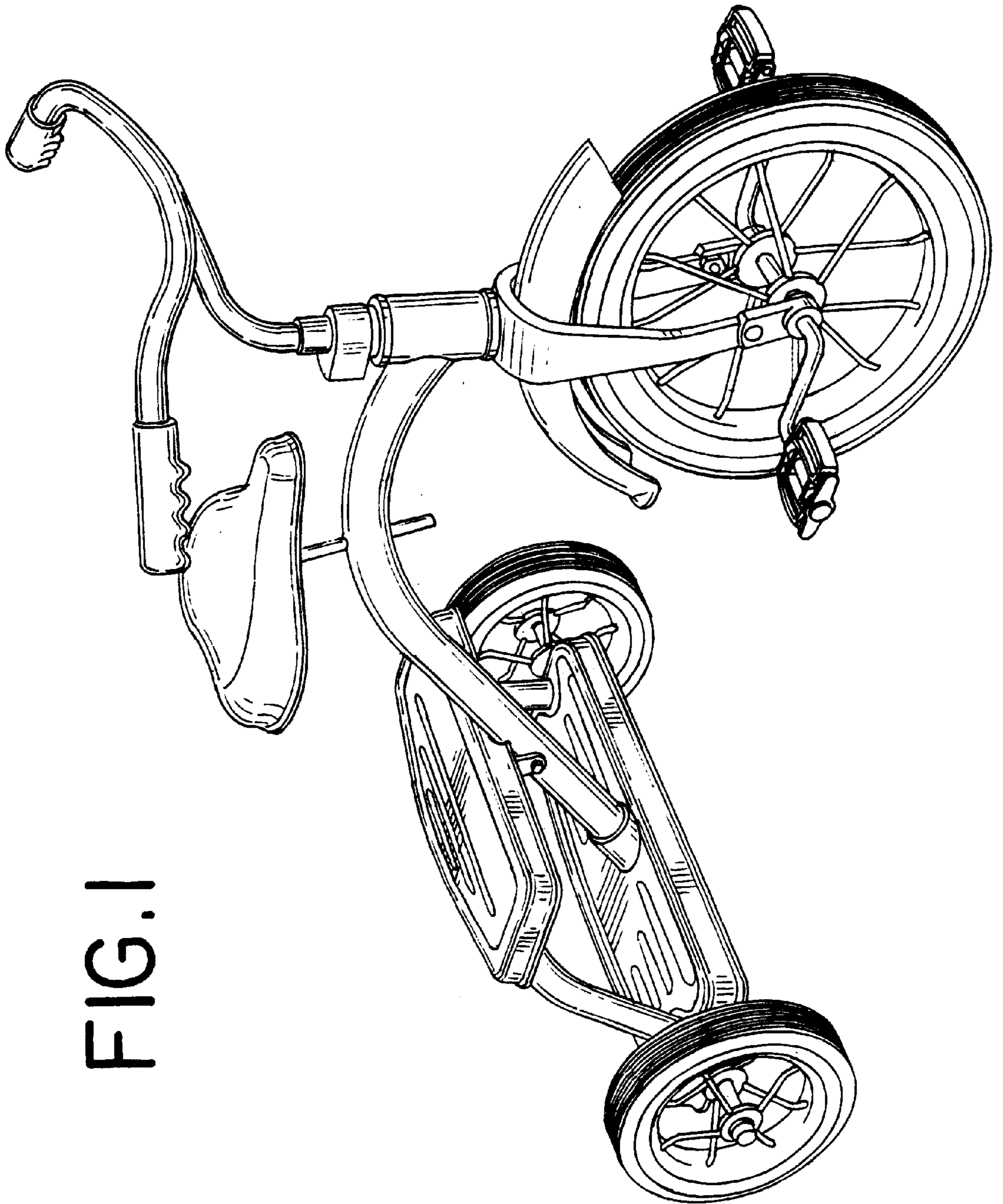


FIG. 1

FIG.3

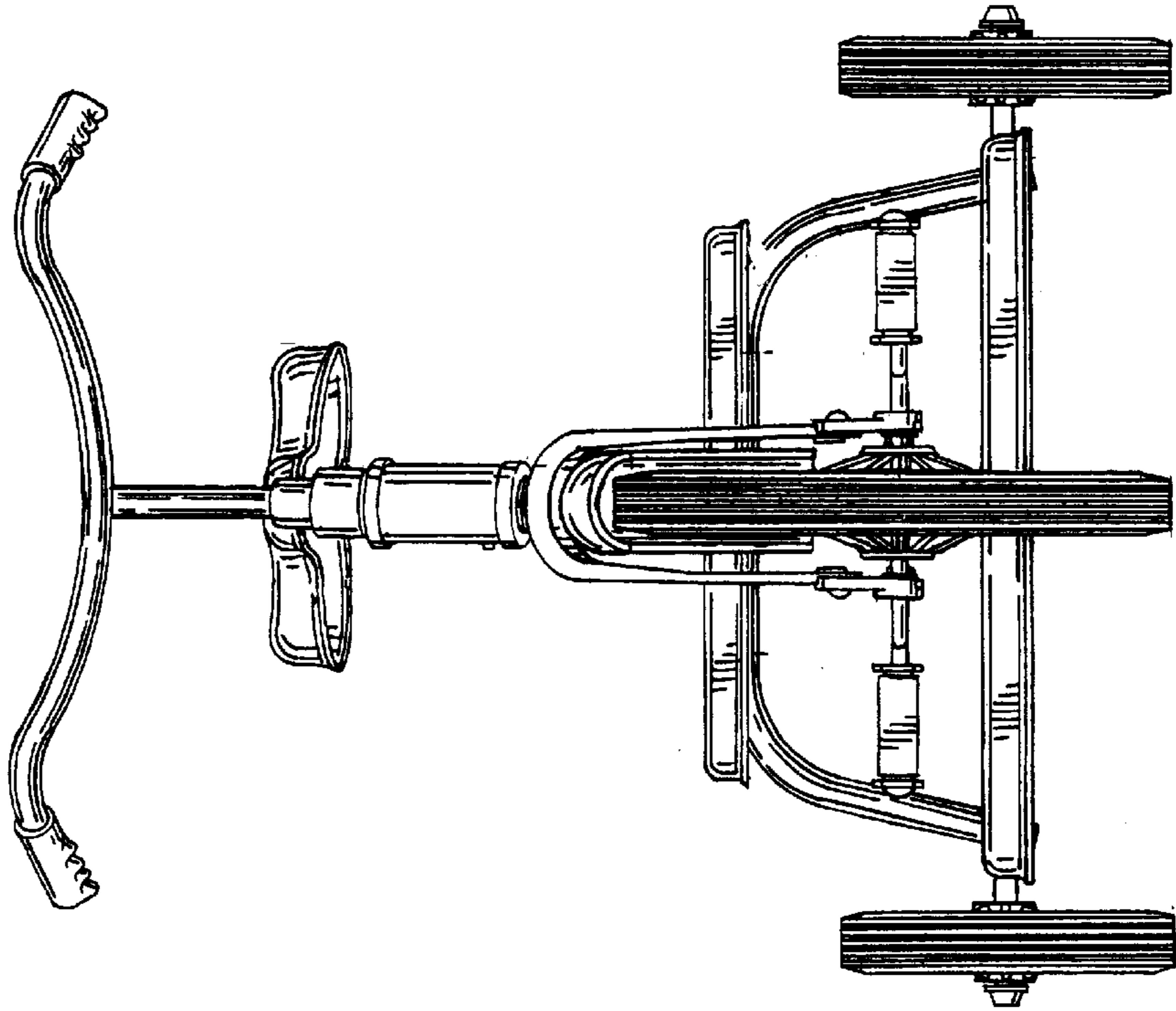


FIG.2

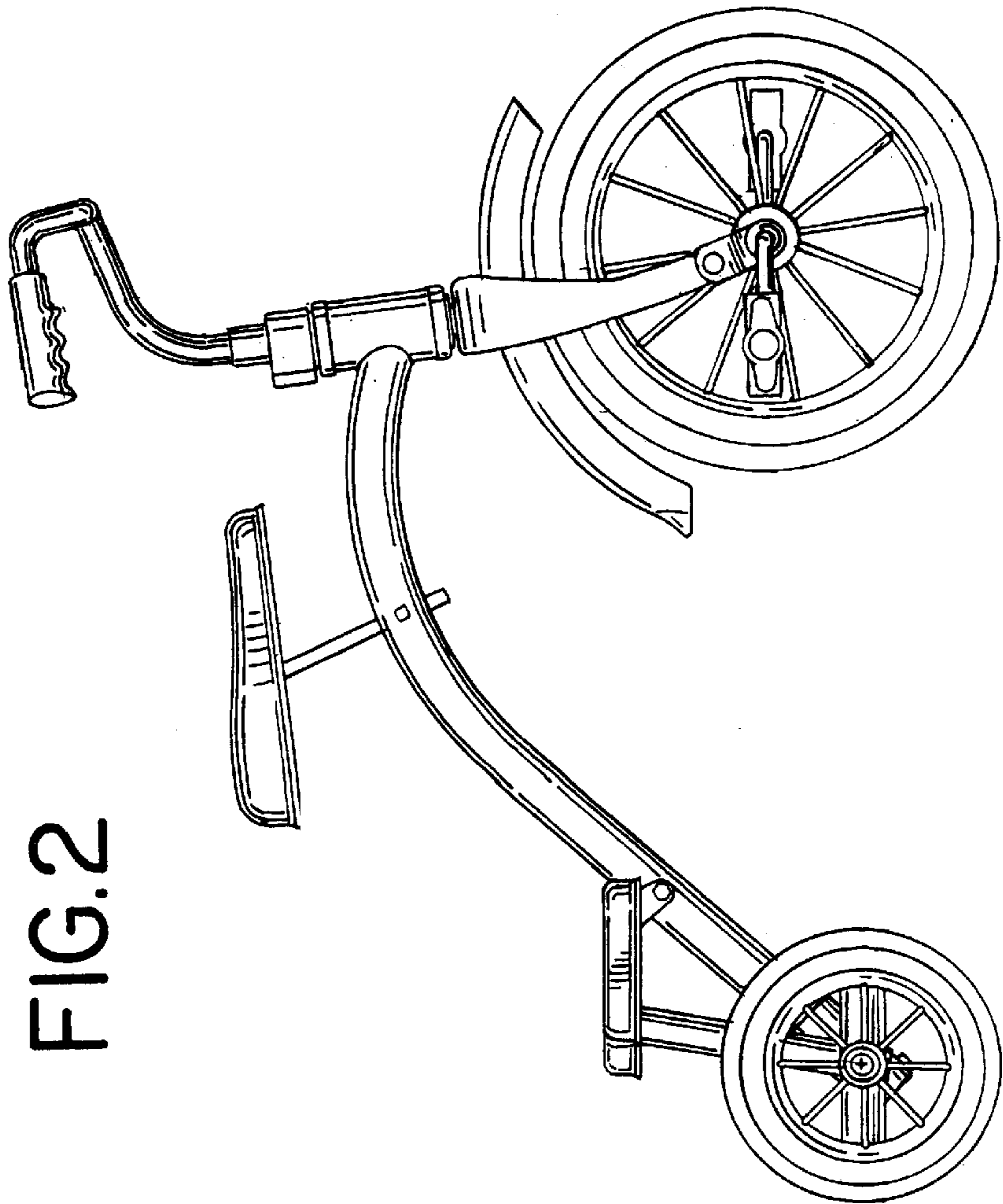


FIG.5

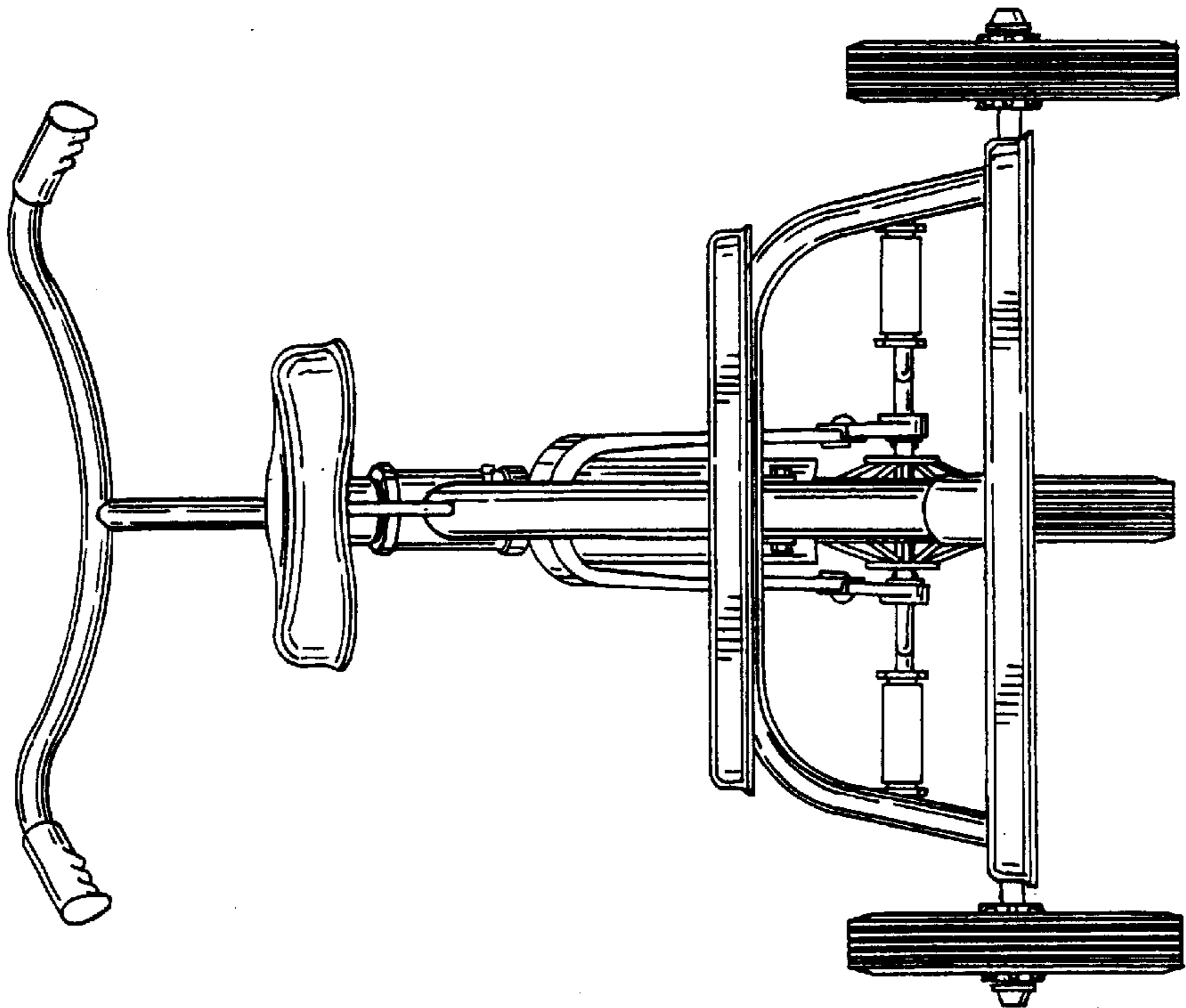


FIG.4

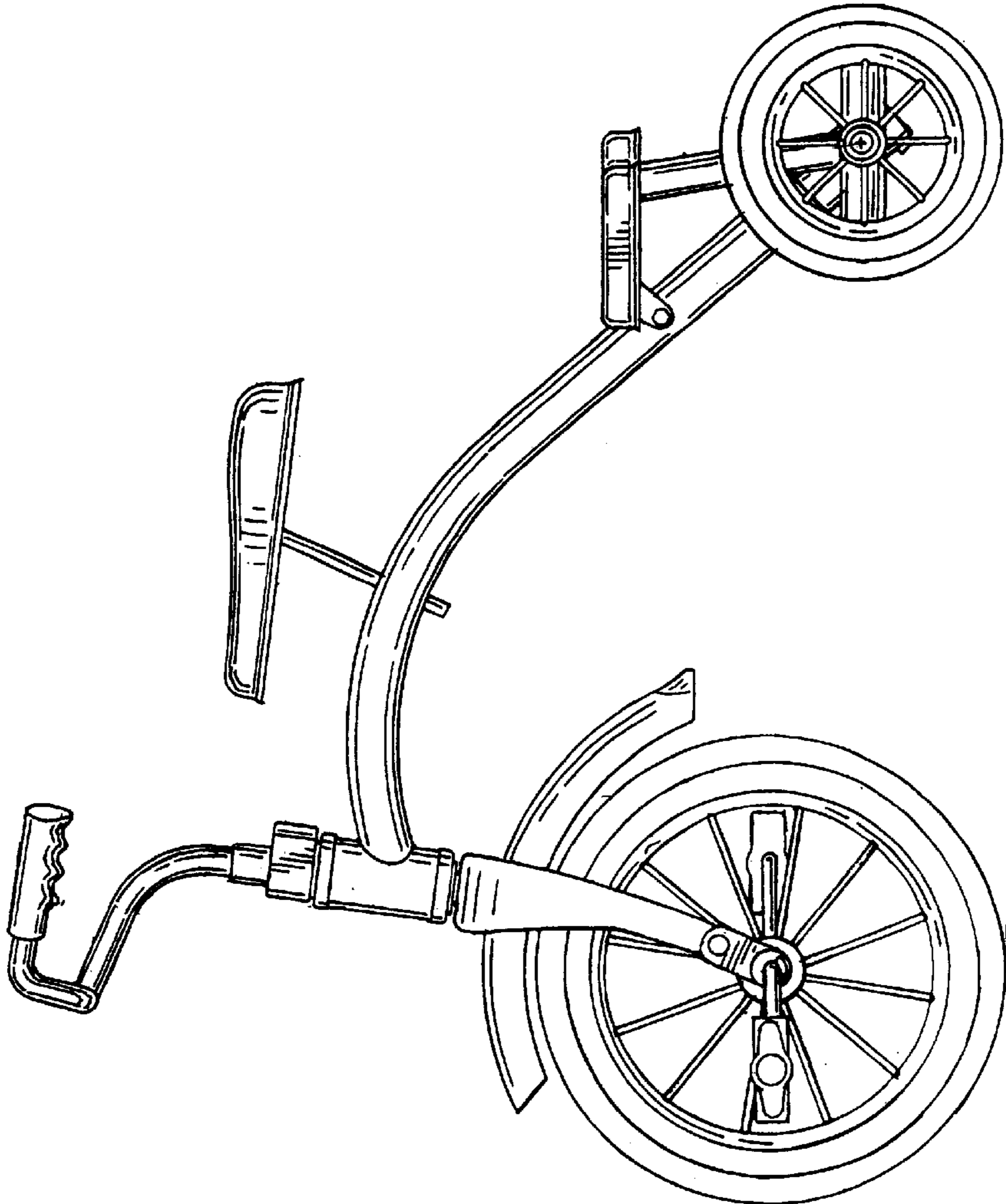


FIG.7

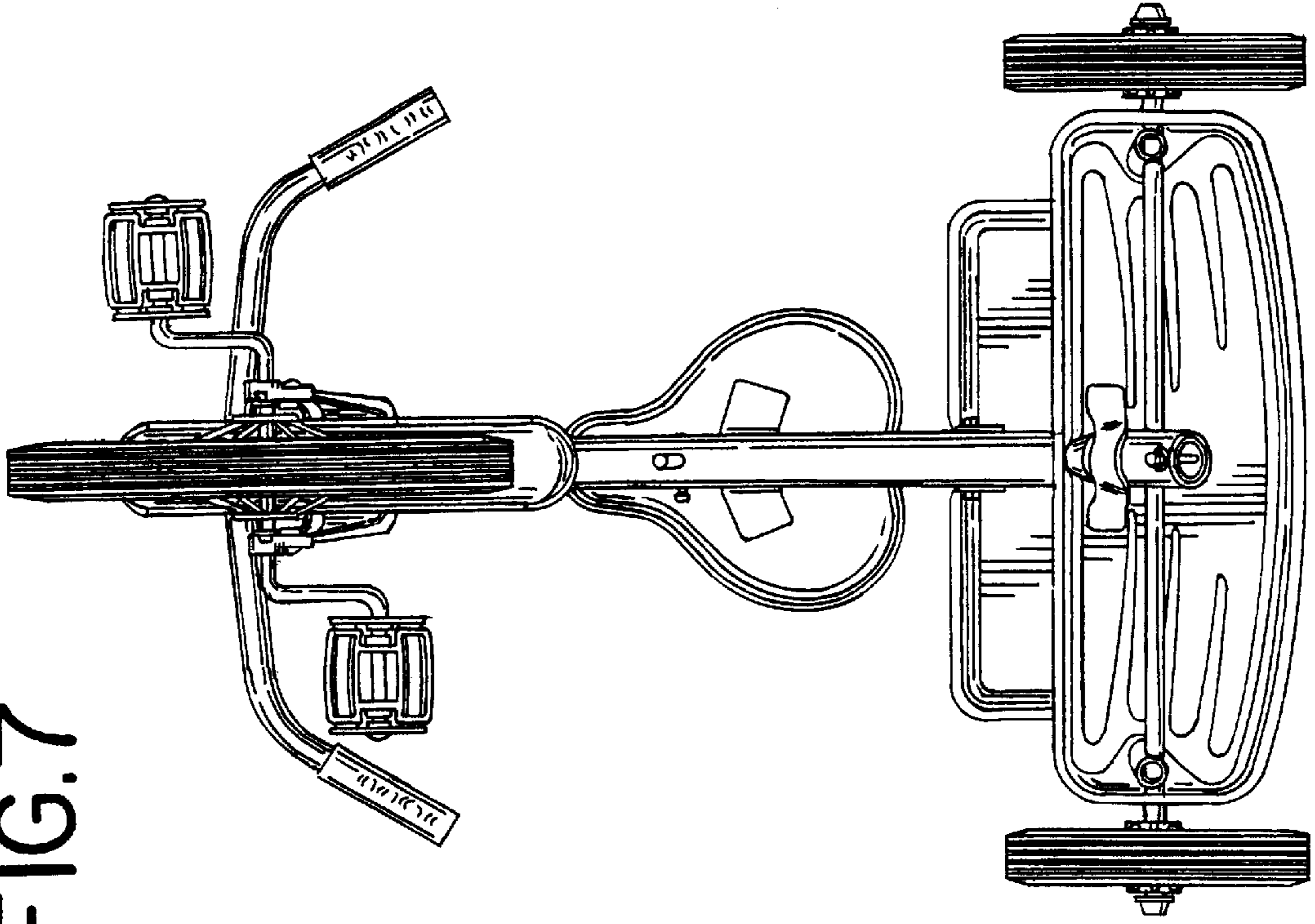
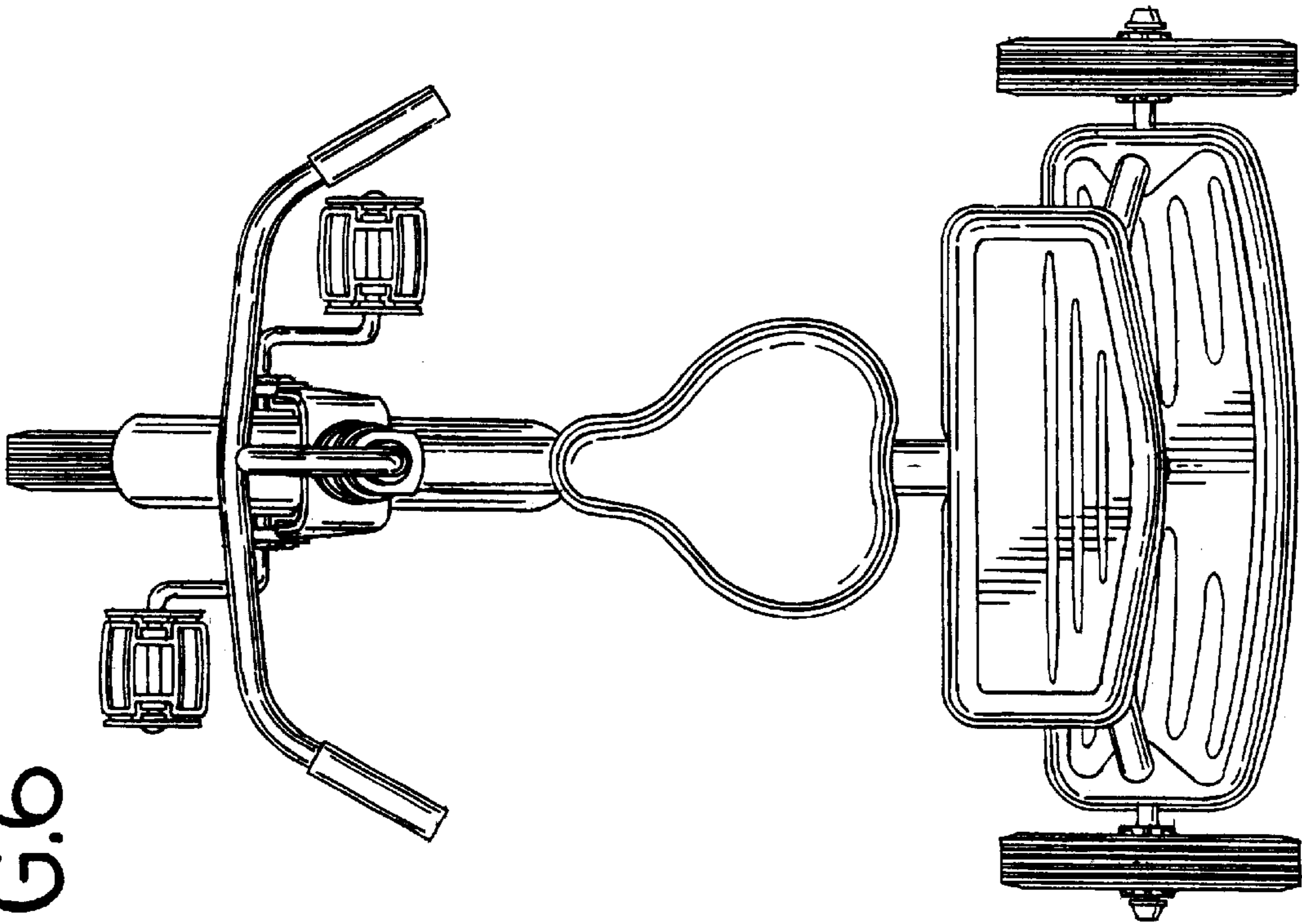


FIG.6



UNITED STATES PATENT AND TRADEMARK OFFICE
CERTIFICATE OF CORRECTION

PATENT NO. : Des 436,897 S
DATED : January 30, 2001
INVENTOR(S) : Chiappetta et al.

Page 1 of 1

It is certified that error appears in the above-identified patent and that said Letters Patent is hereby corrected as shown below:

Title page,
Inventor Gary Chiappetta's name should be changed from: "Chiappepta" to
-- Chiappetta --

Signed and Sealed this

Nineteenth Day of March, 2002

Attest:



Attesting Officer

JAMES E. ROGAN
Director of the United States Patent and Trademark Office