



US00D436896S

(12) **United States Design Patent**  
**Chiappepta et al.**

(10) **Patent No.:** **US D436,896 S**

(45) **Date of Patent:** **\*\* Jan. 30, 2001**

(54) **TRICYCLE**

4,657,270 \* 4/1987 Allen et al. .... D12/112

(75) Inventors: **Gary T. Chiappepta**, Hinsdale; **Robert F. Pasin**, Oak Park, both of IL (US)

\* cited by examiner

(73) Assignee: **Radio Flyer, Inc.**, Chicago, IL (US)

*Primary Examiner*—Melody N. Brown

(\*\*) Term: **14 Years**

(74) *Attorney, Agent, or Firm*—Piper Marbury Rudnick & Wolfe

(21) Appl. No.: **29/120,515**

(57) **CLAIM**

(22) Filed: **Mar. 20, 2000**

The ornamental design for a tricycle, as shown.

(51) **LOC (7) Cl.** ..... **12-11**

**DESCRIPTION**

(52) **U.S. Cl.** ..... **D12/113**

FIG. 1 is a perspective view of a tricycle showing our new design;

(58) **Field of Search** ..... D12/113, 112

FIG. 2 is a side elevational view of the tricycle;

(56) **References Cited**

**U.S. PATENT DOCUMENTS**

- D. 281,965 \* 12/1985 Rudell et al. .... D12/113 X
- D. 334,157 \* 3/1993 Tonelli ..... D12/113
- D. 366,635 \* 1/1996 Pasin et al. .... D12/112

FIG. 3 is a front elevational view of the tricycle;

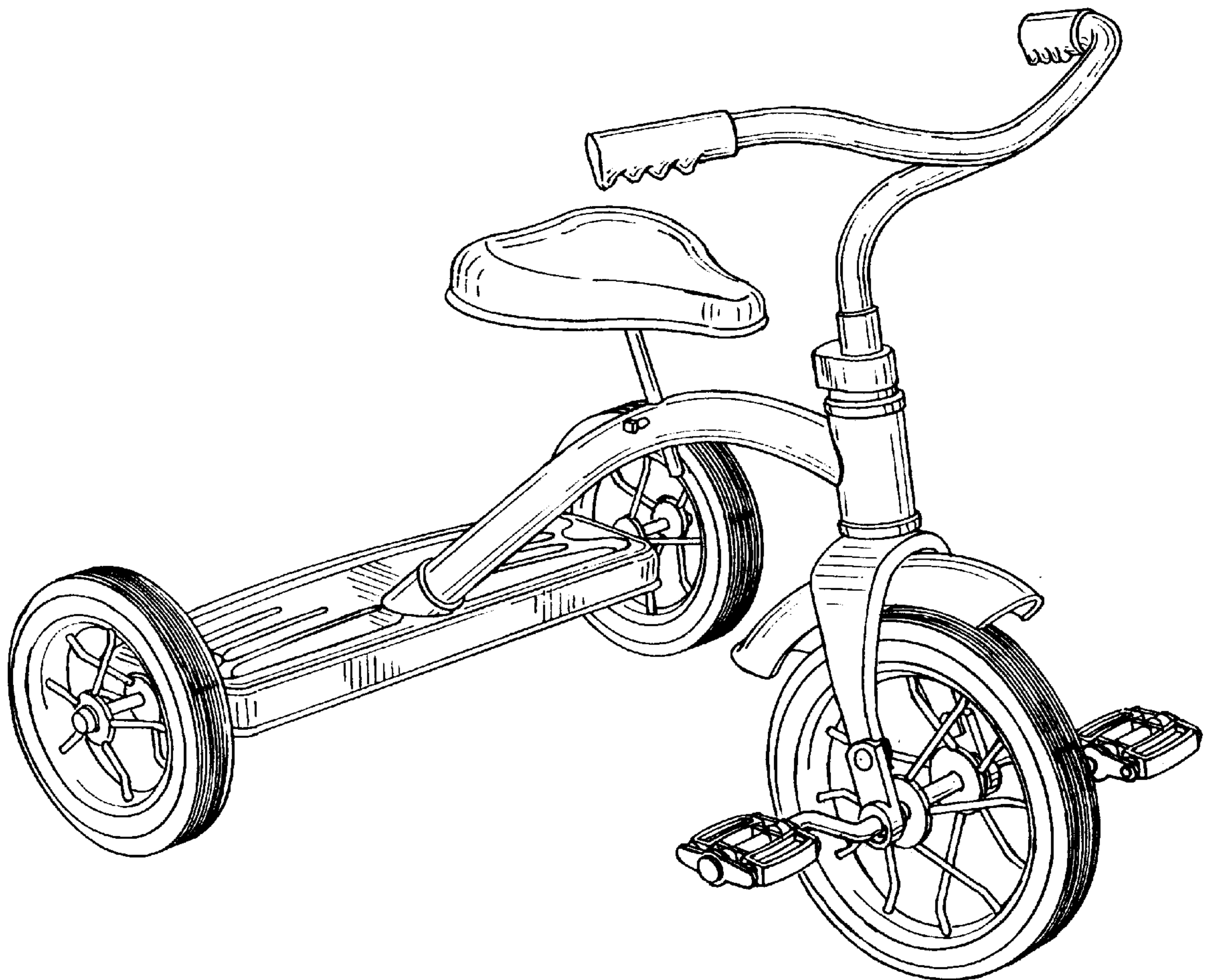
FIG. 4 is a side elevational view of the tricycle;

FIG. 5 is a rear elevational view of the tricycle;

FIG. 6 is a top plan view of the tricycle; and,

FIG. 7 is a bottom plan view of the tricycle.

**1 Claim, 4 Drawing Sheets**



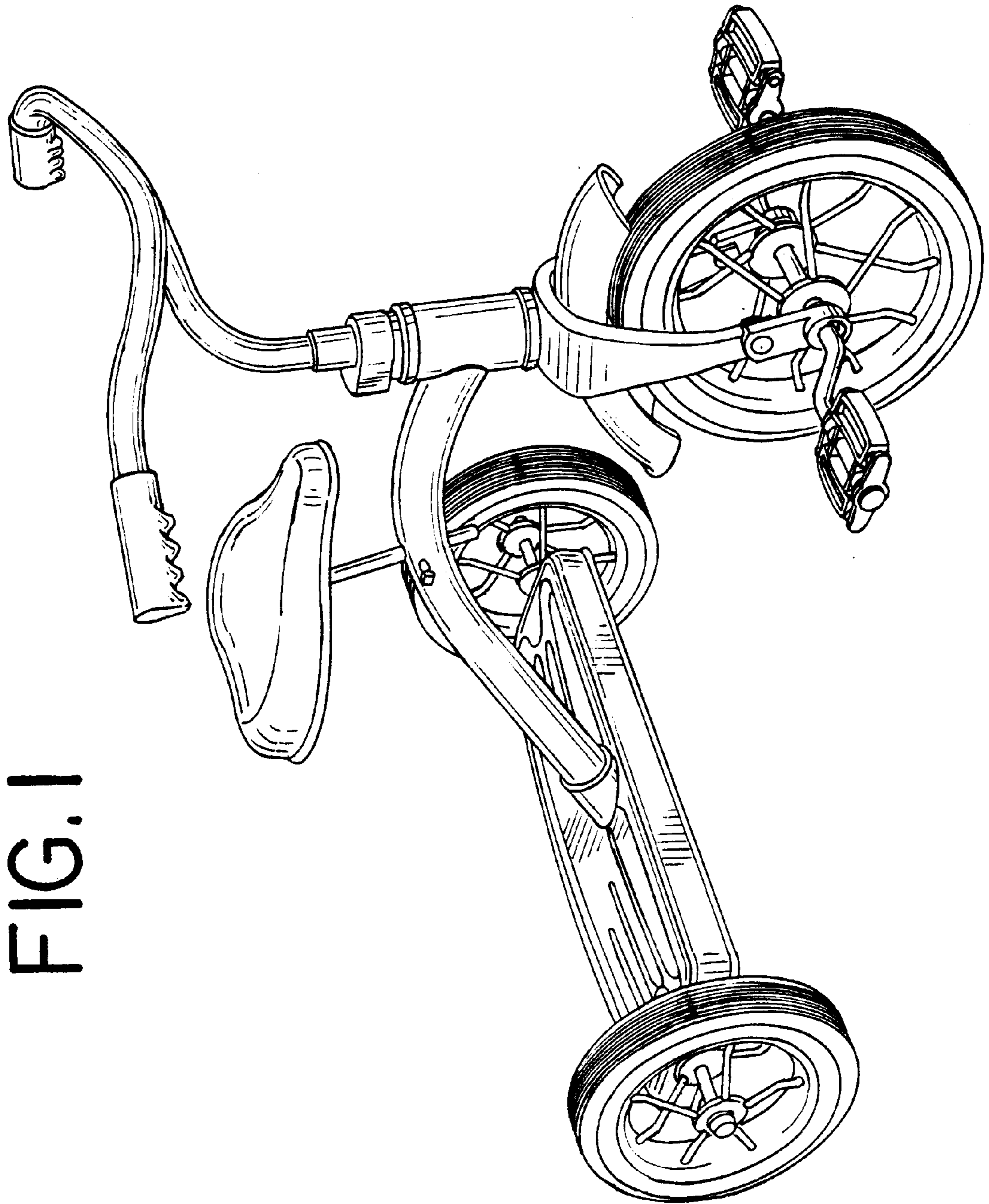


FIG. 1

FIG.3

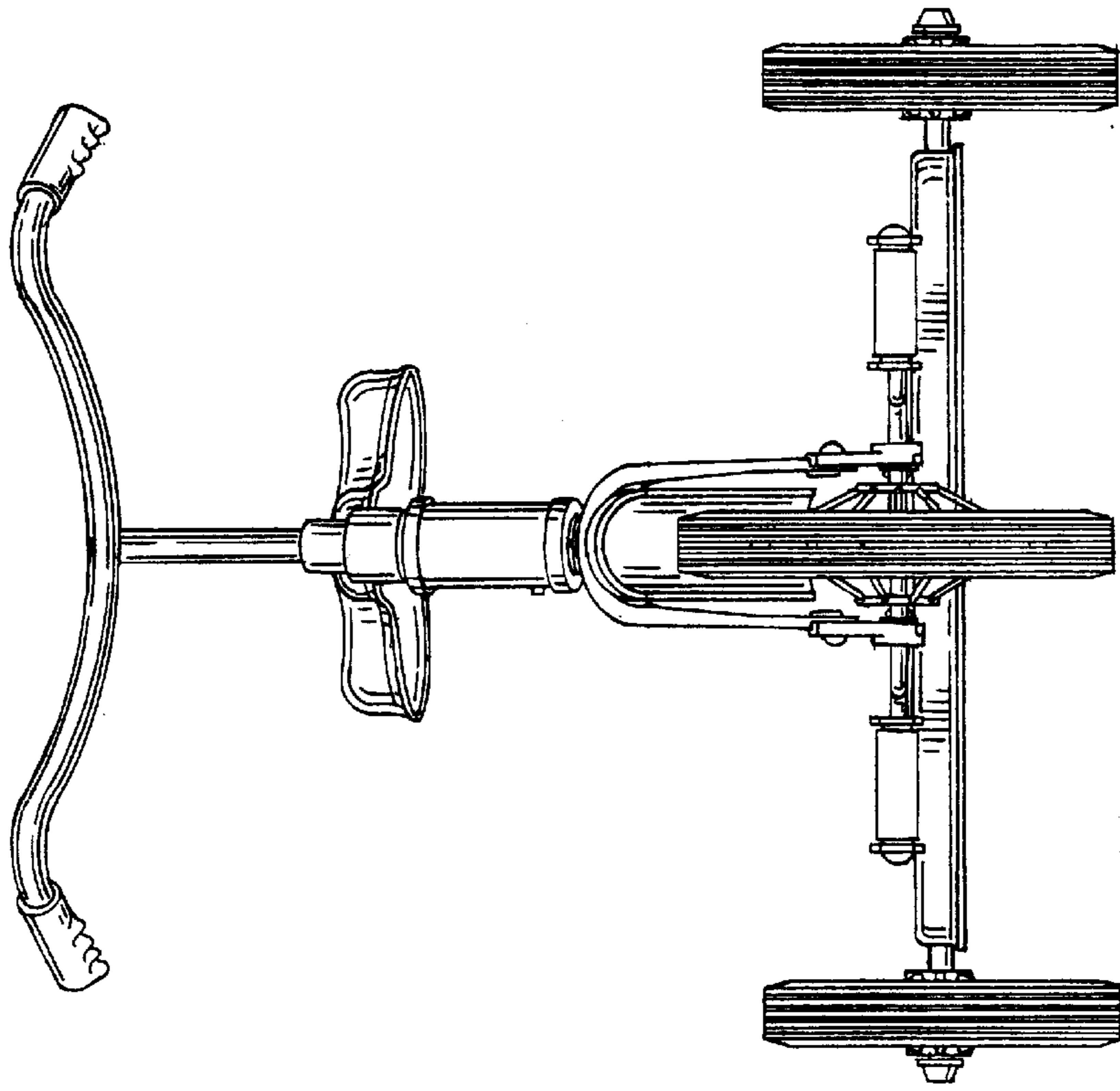


FIG.2

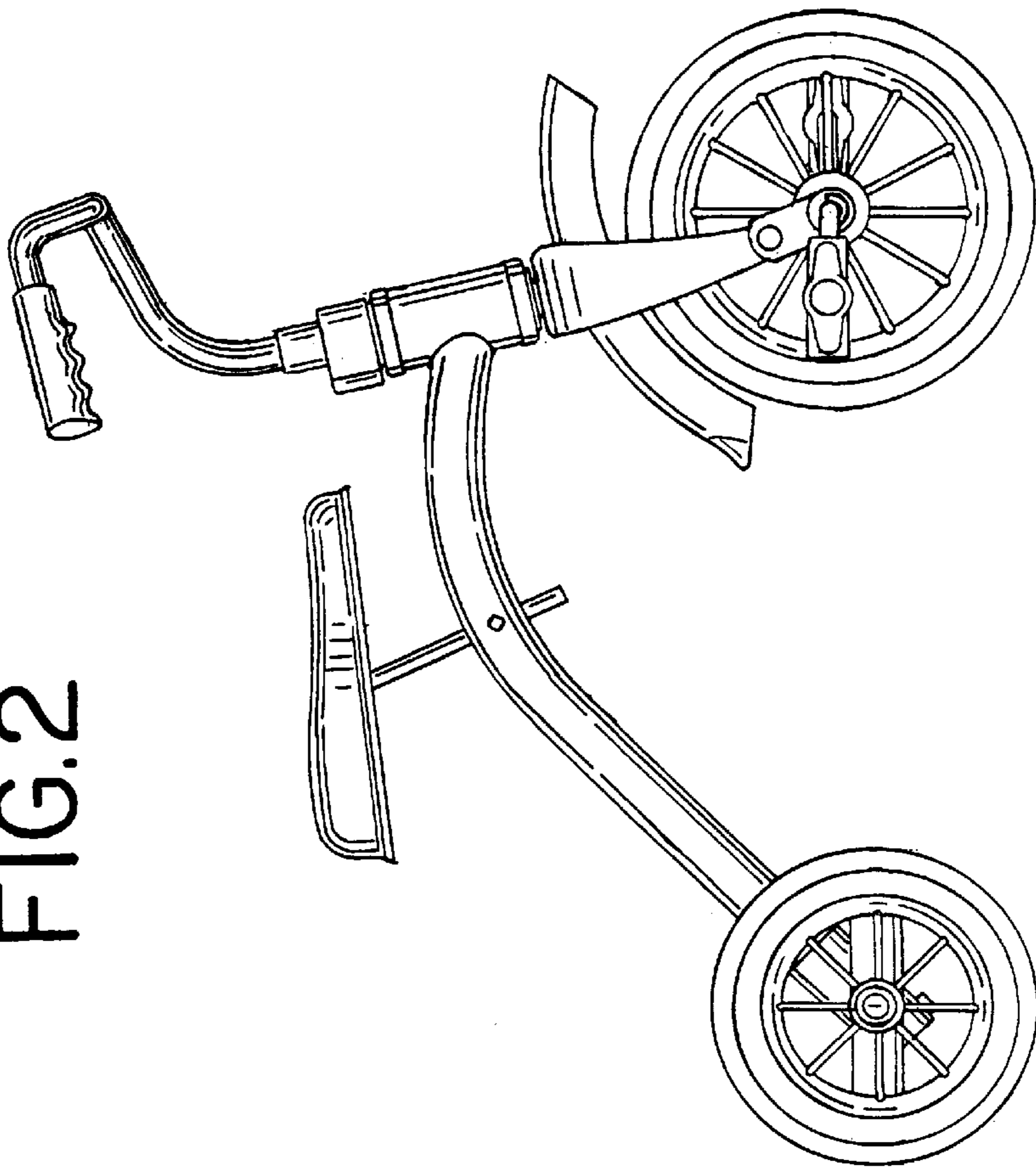




FIG. 5

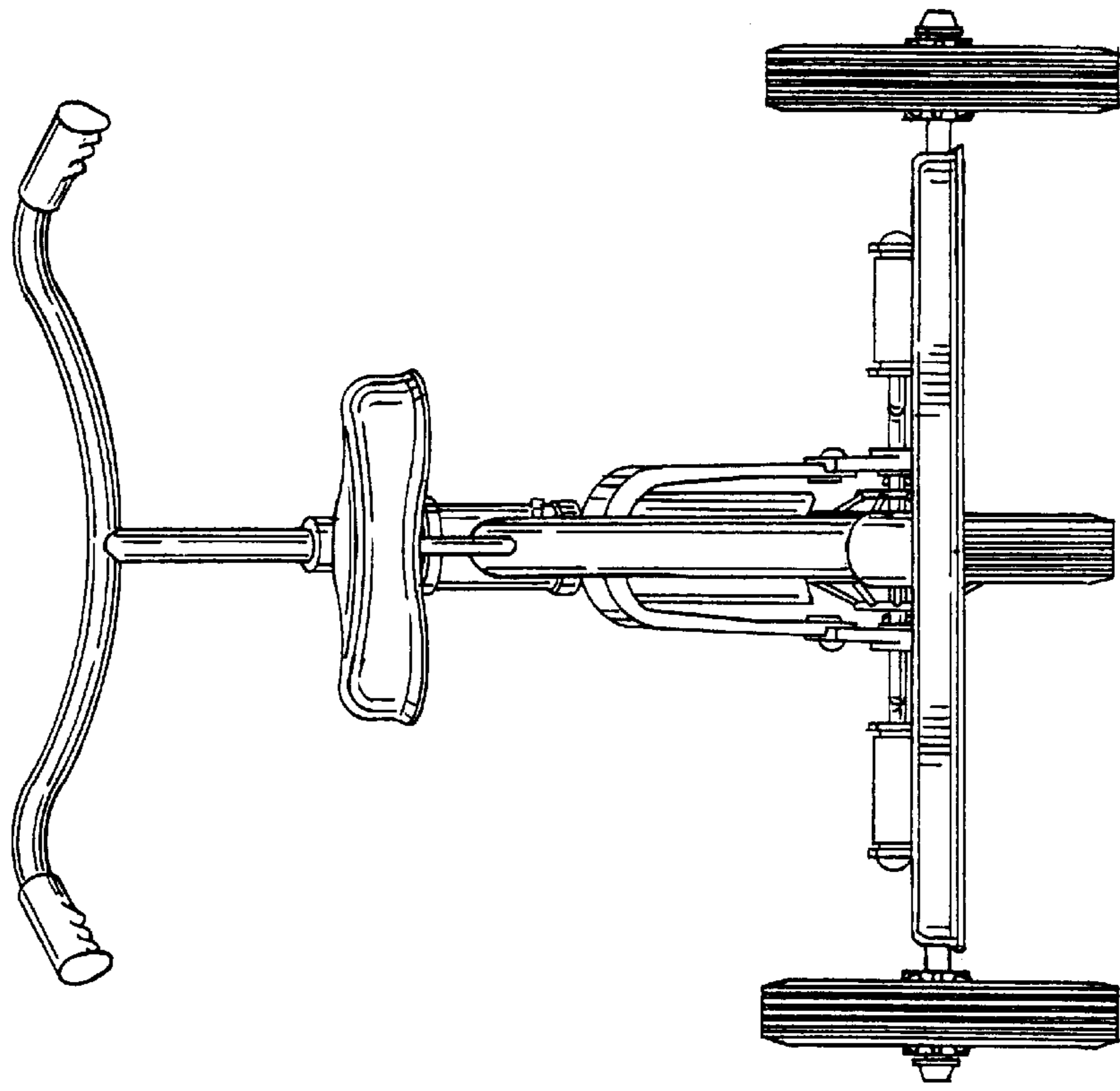


FIG. 4

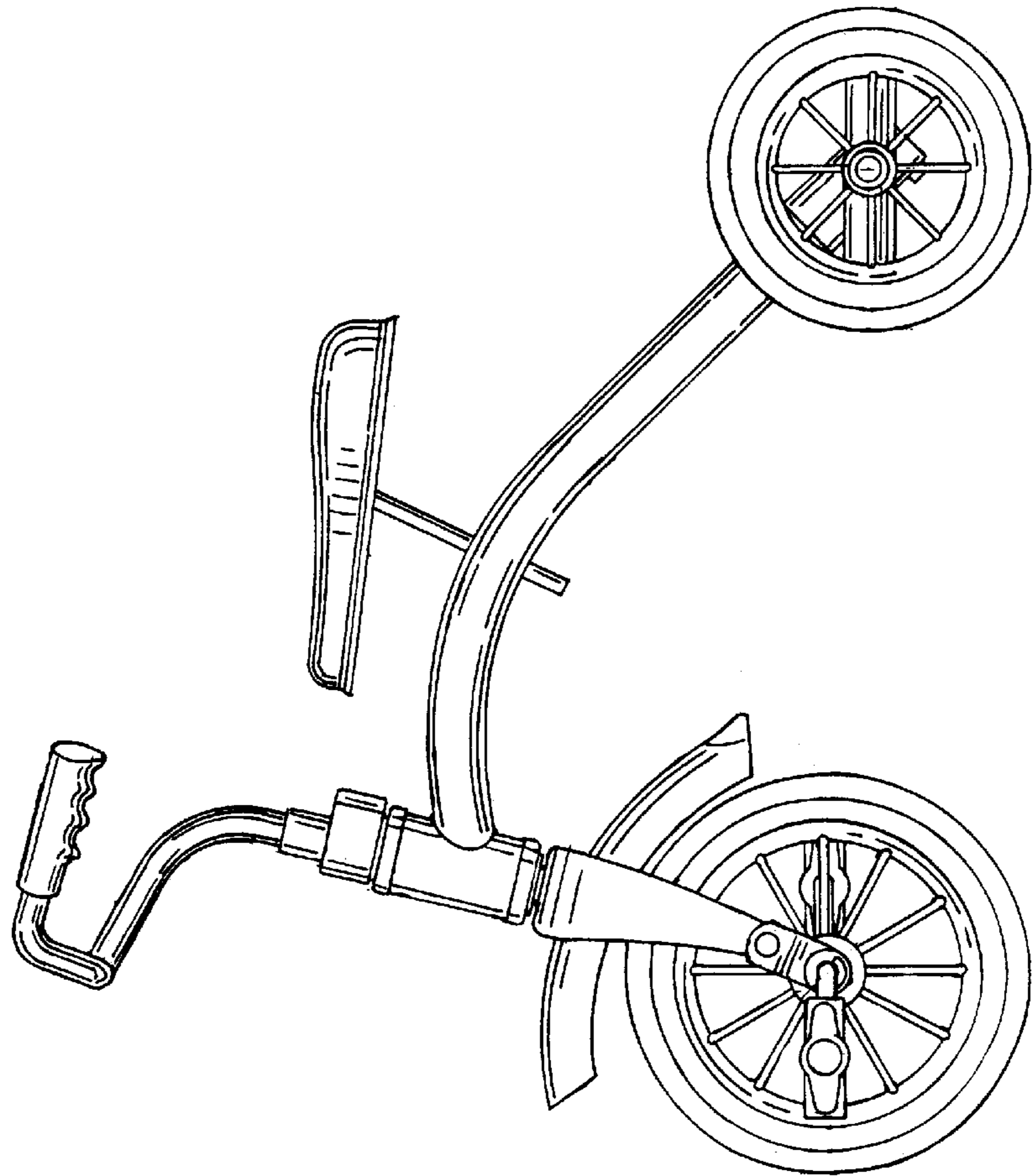


FIG. 7

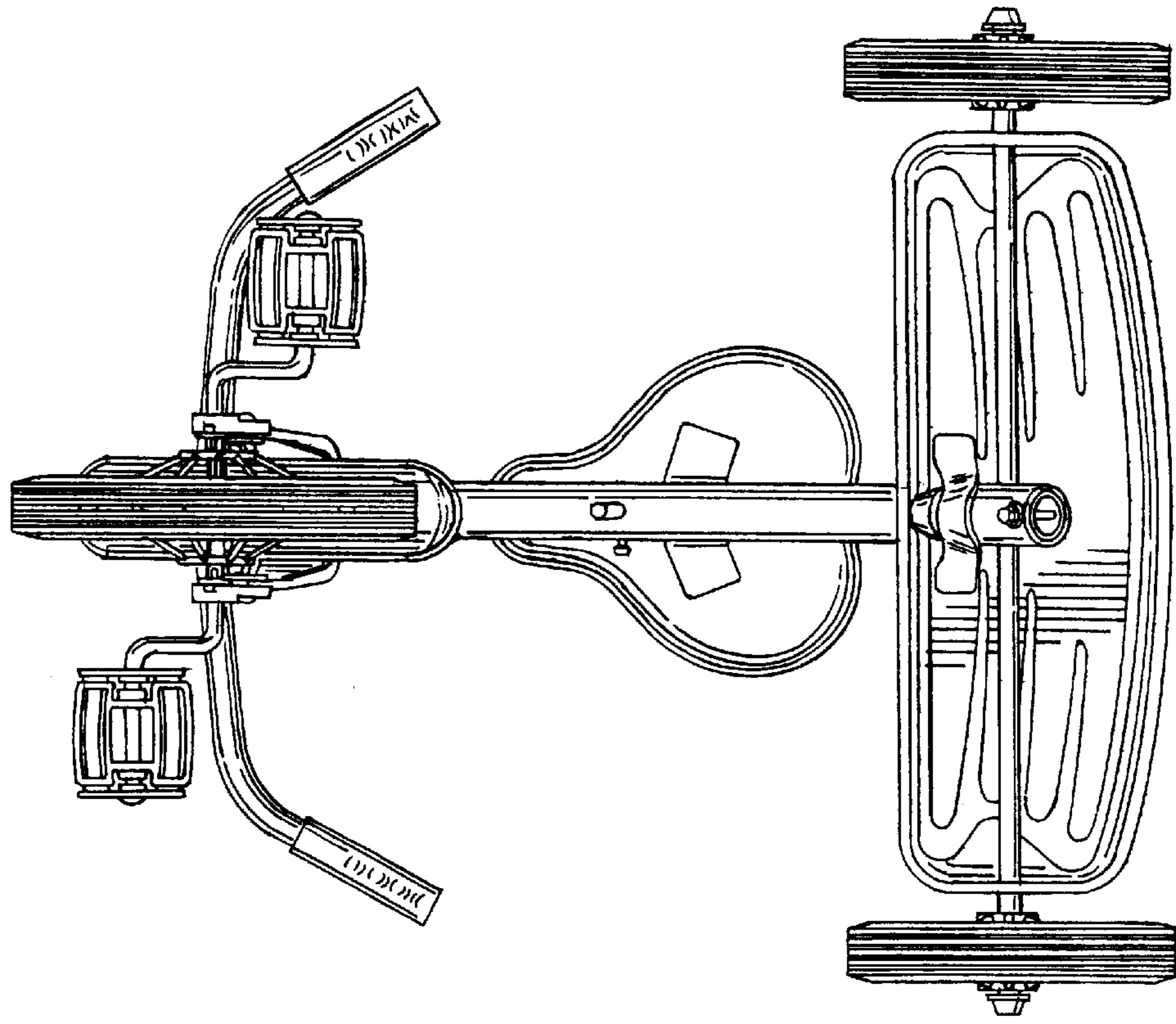
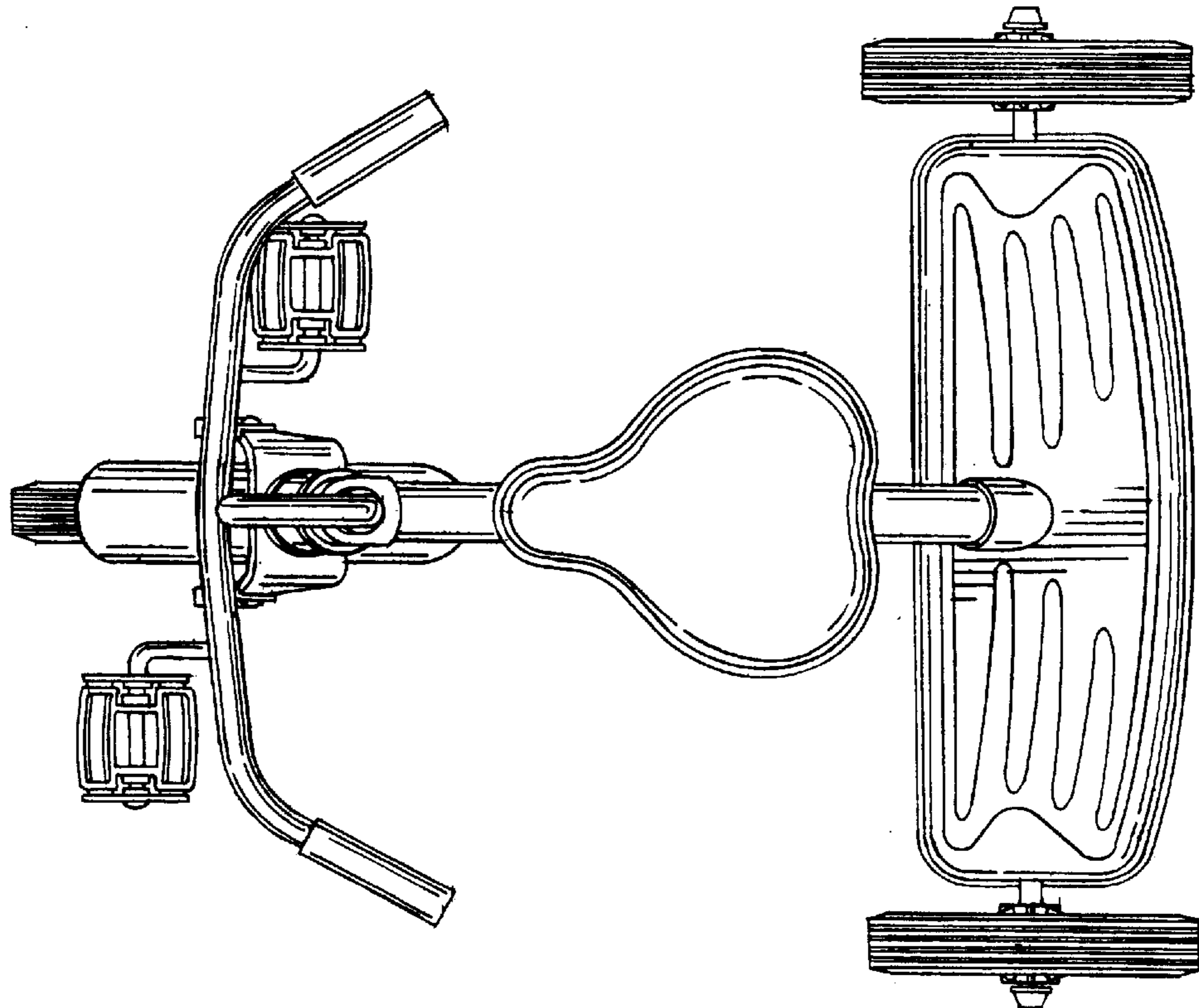


FIG. 6



UNITED STATES PATENT AND TRADEMARK OFFICE  
**CERTIFICATE OF CORRECTION**

PATENT NO. : Des 436,896 S  
DATED : January 30, 2001  
INVENTOR(S) : Chiappetta et al.

Page 1 of 1

It is certified that error appears in the above-identified patent and that said Letters Patent is hereby corrected as shown below:

Title page.

Inventor Gary Chiappetta's name should be changed from: "Chiappepta" to  
-- Chiappetta --

Signed and Sealed this

Nineteenth Day of March, 2002

*Attest:*



*Attesting Officer*

JAMES E. ROGAN  
*Director of the United States Patent and Trademark Office*