



US00D436893S

(12) **United States Design Patent**  
**Kastner et al.**

(10) **Patent No.:** **US D436,893 S**

(45) **Date of Patent:** **\*\* Jan. 30, 2001**

(54) **FIRE ENGINE**

(75) Inventors: **Gottfried Kastner, Steyr; Helmut Peherstorfer, Hartkirchen, both of (AT)**

(73) Assignee: **Rosenbauer International Aktiengesellschaft, Leonding (AT)**

(\*\*) Term: **14 Years**

(21) Appl. No.: **29/101,416**

(22) Filed: **Mar. 3, 1999**

(30) **Foreign Application Priority Data**

Sep. 4, 1998 (XH) ..... DM/045 986

(51) **LOC (7) Cl.** ..... **12-13**

(52) **U.S. Cl.** ..... **D12/13**

(58) **Field of Search** ..... D12/1, 13; D21/555;  
446/440, 426-428, 470-471, 76-80, 432;  
280/87.01, 4; 169/24; 137/351, 615

(56) **References Cited**

**U.S. PATENT DOCUMENTS**

D. 122,507 \* 9/1940 Grybos ..... D12/13

D. 205,529 \* 8/1966 Palmer ..... D12/13  
D. 220,507 \* 4/1971 Peterson ..... D12/13  
D. 295,506 \* 5/1988 Staudinger ..... D12/13  
D. 299,627 \* 1/1989 Staudinger ..... D12/13  
D. 308,351 \* 6/1990 Fry et al. .... D12/13  
D. 380,992 \* 7/1997 McDaniel ..... D21/555  
3,493,053 \* 2/1970 Triplett ..... 169/24  
3,789,869 \* 2/1974 Morris ..... 137/351

\* cited by examiner

*Primary Examiner*—Stacia Cadmus

(74) *Attorney, Agent, or Firm*—Collard & Roe, P.C.

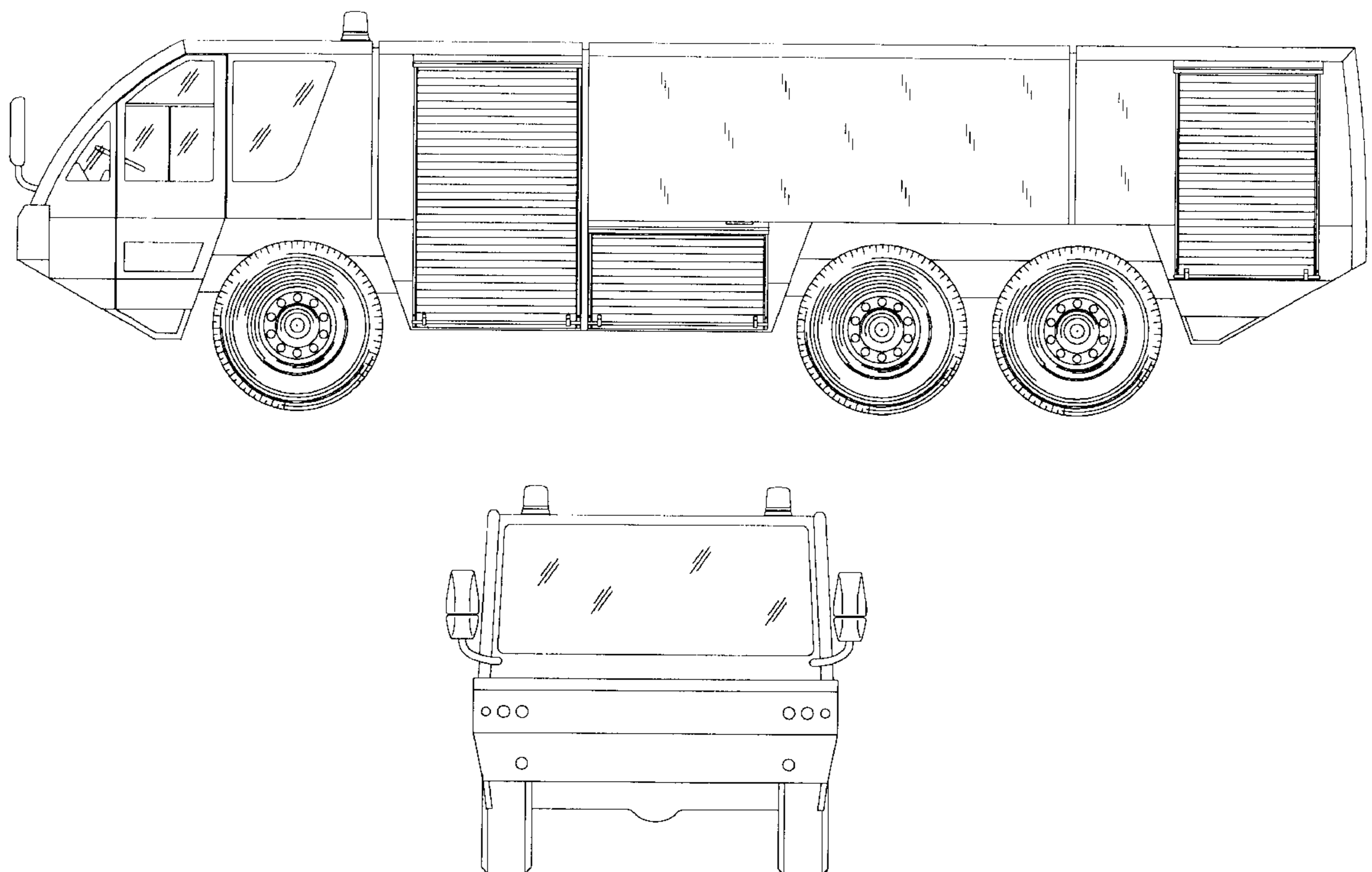
(57) **CLAIM**

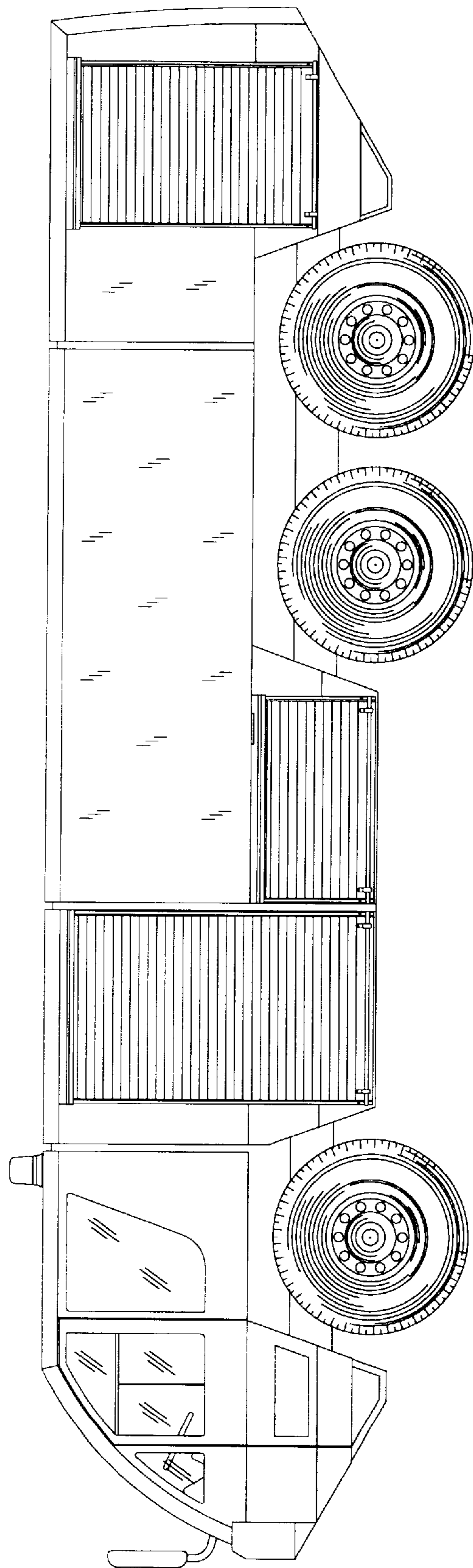
The ornamental design for a fire engine, as shown and described.

**DESCRIPTION**

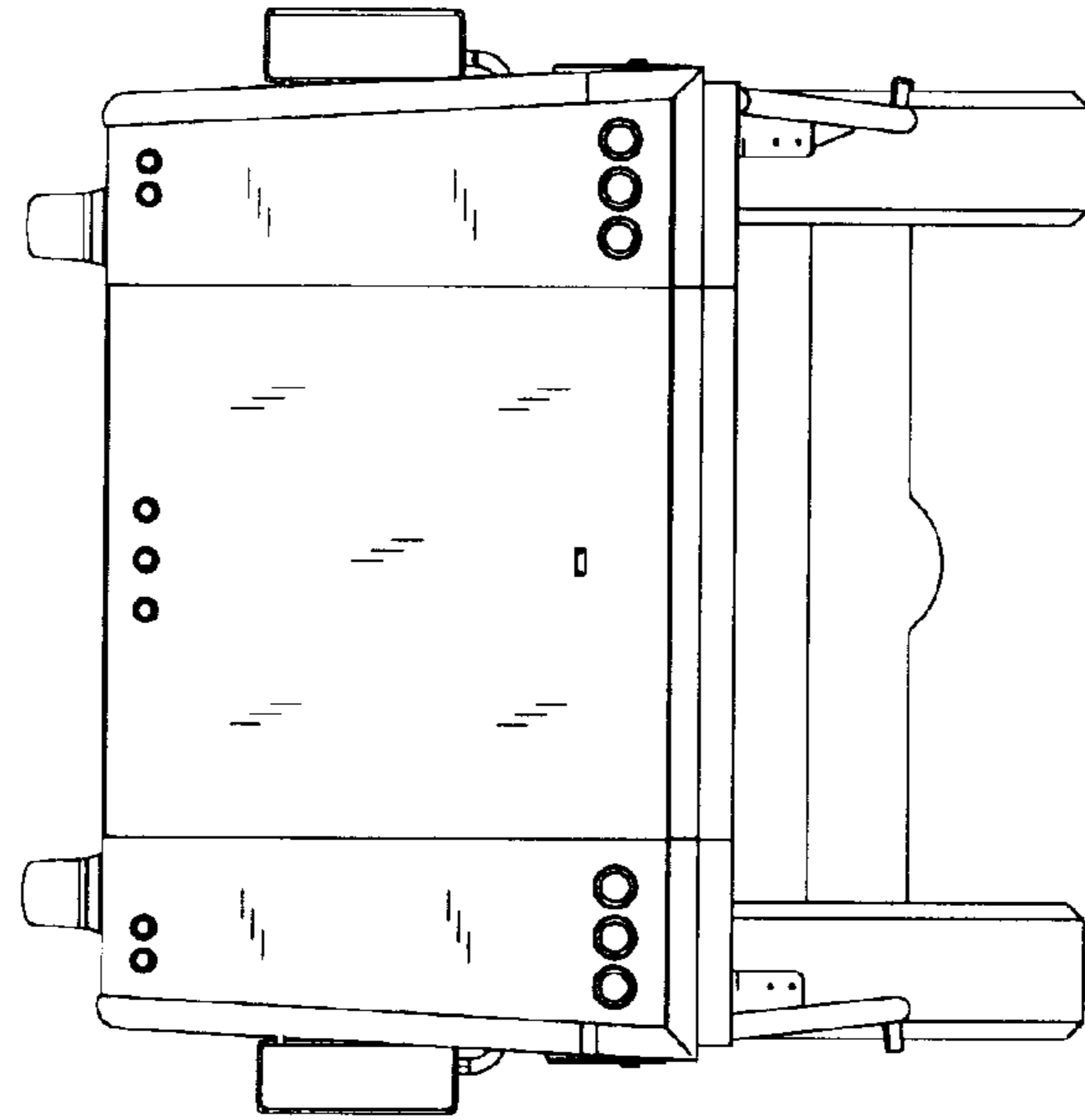
FIG. 1 shows a side view of my design for a fire engine; FIG. 2 shows a front view thereof; FIG. 3 shows an opposite side view thereof; FIG. 4 shows a back thereof; and, FIG. 5 shows a top view thereof.

**1 Claim, 4 Drawing Sheets**

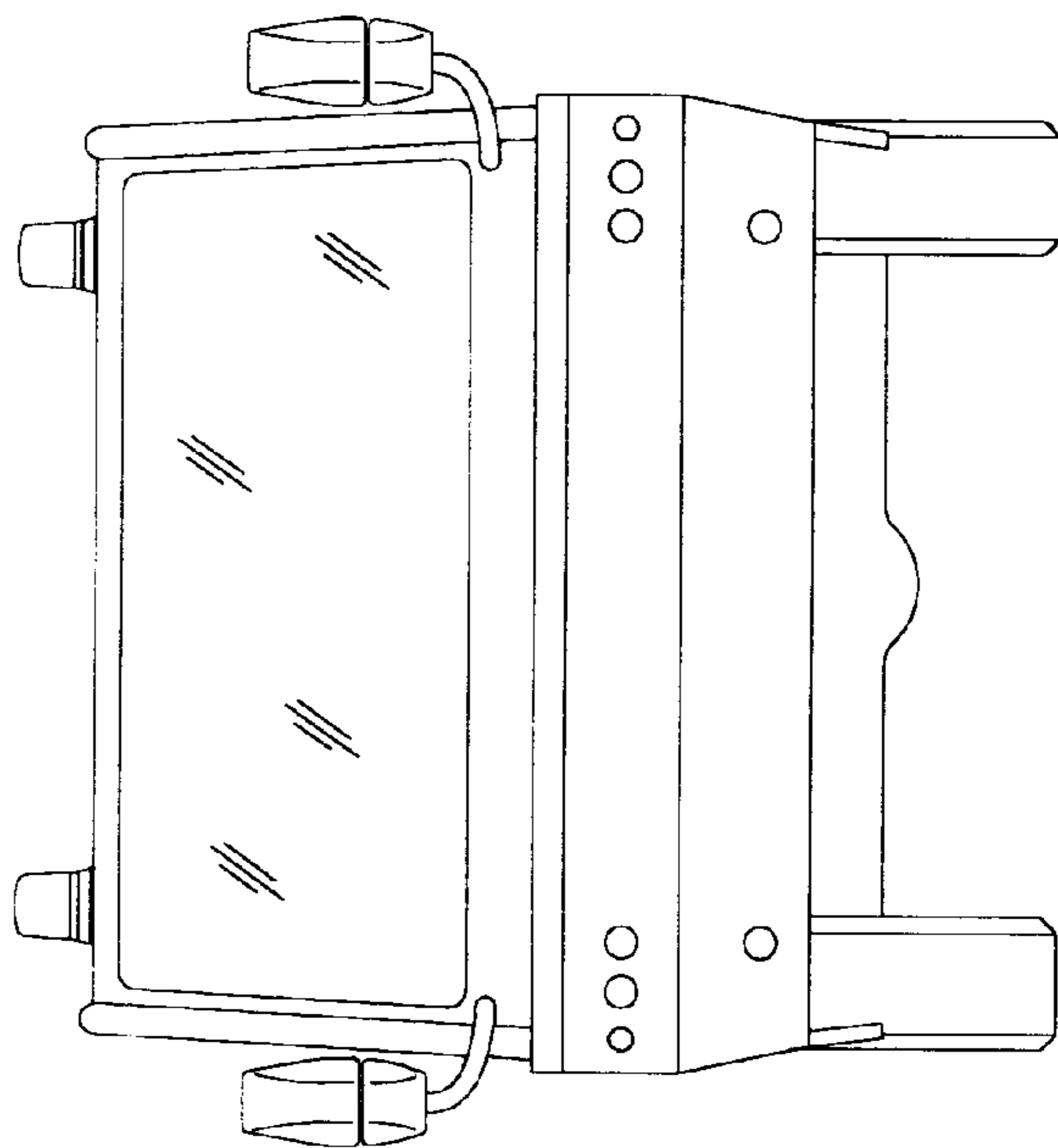




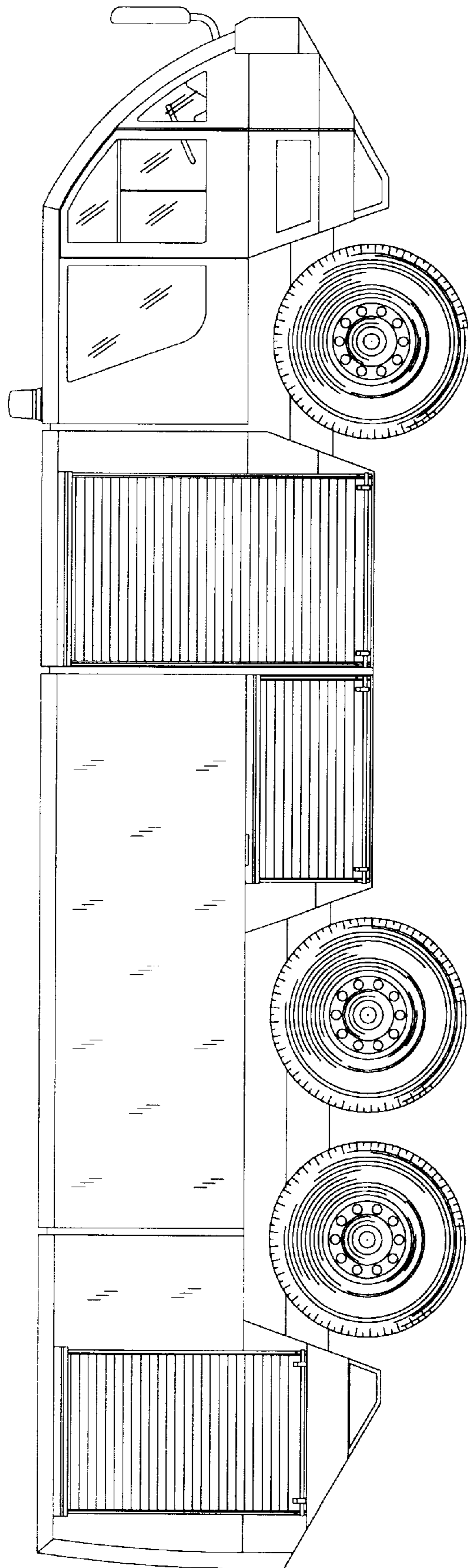
**Fig.1**



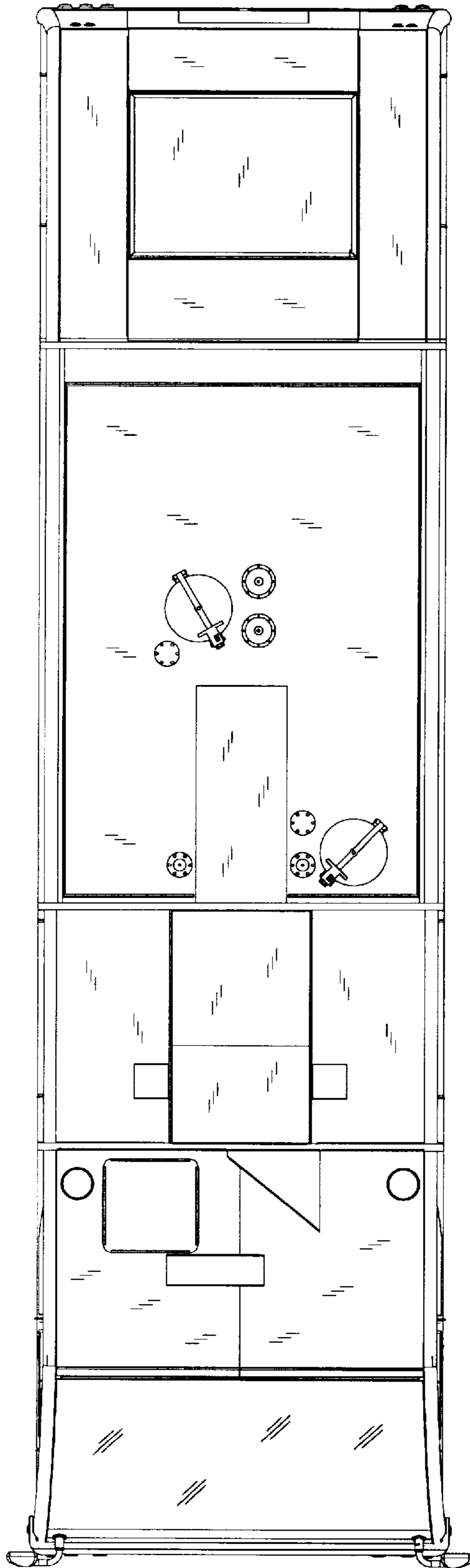
**Fig. 4**



**Fig. 2**



**Fig. 3**



**Fig. 5**