



US00D436887S

(12) **United States Design Patent**
Fan

(10) **Patent No.:**

US D436,887 S

(45) **Date of Patent:**

**** Jan. 30, 2001**

(54) **POT WITH AN ADJUSTABLE MOUTHPIECE**

(76) Inventor: **Jianhua Fan**, 5800 Maudina Ave., #C2,
Nashville, TN (US) 37209

(**) Term: **14 Years**

(21) Appl. No.: **29/103,416**

(22) Filed: **Apr. 13, 1999**

(51) **LOC (7) Cl.** **11-02**

(52) **U.S. Cl.** **D11/152**

(58) **Field of Search** D6/403; D11/143,
D11/152-156, 144, 164; 47/59, 65.5, 65.7,
66.1, 66.7, 80; 206/423; 248/27.8

1024483	4/1953	(FR)	.
1263364	12/1961	(FR)	.
1 544 194	10/1968	(FR) 47/81
2310695	12/1976	(FR)	.
2724813	3/1996	(FR)	.
4743	1/1894	(GB)	.
22647	8/1913	(GB)	.
1112153	5/1968	(GB)	.
1192431	5/1970	(GB)	.
1316159	5/1973	(GB)	.
2240250	7/1991	(GB)	.
6-141683	5/1994	(JP) 47/81
8800273	9/1989	(NL)	.
WO 96/35326	11/1996	(WO)	.

Primary Examiner—Doris V. Coles
Assistant Examiner—Linda Brooks
(74) *Attorney, Agent, or Firm*—Merchant & Gould P.C.

(56) **References Cited**

U.S. PATENT DOCUMENTS

D. 250,401	*	11/1978	O'Shea et al.	D11/152
D. 352,480		11/1994	Carlson	.	
D. 384,907	*	10/1997	Moskowitz	D11/152
D. 399,450		10/1998	Durbin	.	
D. 399,451		10/1998	Durbin	.	
D. 399,452		10/1998	Durbin	.	
D. 399,453		10/1998	Durbin	.	
D. 399,454		10/1998	Durbin	.	
1,216,642		2/1917	White	.	
3,027,684	*	4/1962	Keiding	47/65.7
3,220,144		11/1965	Green	.	
3,611,633		10/1971	Shackelford	.	
3,990,179		11/1976	Johnson et al.	.	
4,059,920		11/1977	Worrell	.	

(List continued on next page.)

FOREIGN PATENT DOCUMENTS

649568		6/1964	(BE)	.
308827		8/1955	(CH)	.
1 200 604		9/1965	(DE) 47/80
24 33 734		1/1976	(DE)	.
25 39 552 A1		3/1977	(DE) 47/81
3131282 A1		2/1983	(DE)	.
3510513 A1		9/1986	(DE)	.
579120		10/1924	(FR)	.

(57) **CLAIM**

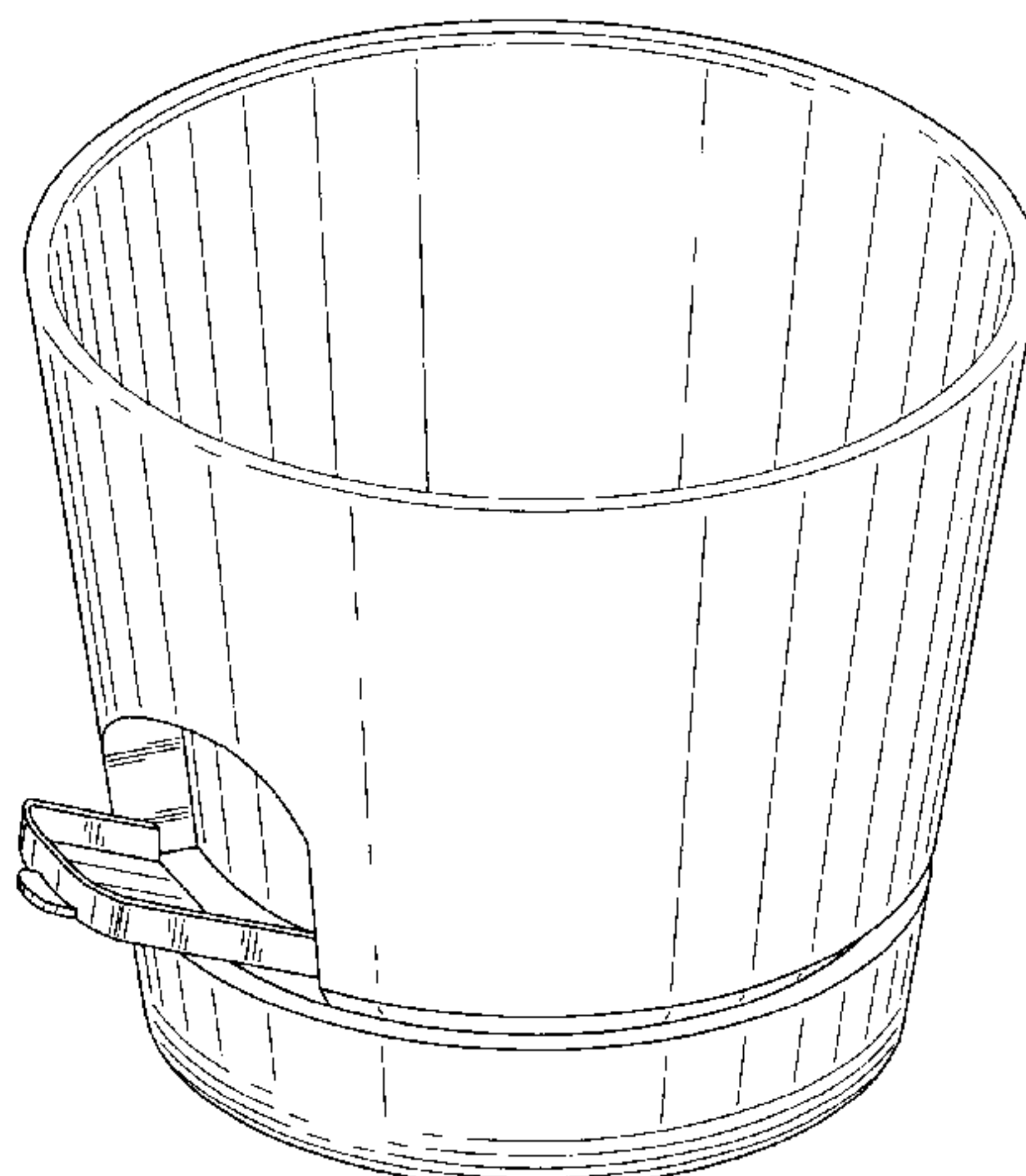
The ornamental design for a pot with an adjustable mouth-
piece, as shown and described.

DESCRIPTION

FIG. 1 is a perspective view of a pot with an adjustable
mouthpiece, showing my new design;
FIG. 2 is a perspective view of the pot with an adjustable
mouthpiece showing the adjustable mouthpiece open;
FIG. 3 is a top plan view of the pot with an adjustable
mouthpiece shown in FIG. 1;
FIG. 4 is a bottom plan view of the pot with an adjustable
mouthpiece shown in FIG. 1;
FIG. 5 is a front elevational view of the pot with an
adjustable mouthpiece shown in FIG. 1;
FIG. 6 is a back elevational view of the pot with an
adjustable mouthpiece shown in FIG. 1; and,
FIG. 7 is a right side elevational view of the pot with an
adjustable mouthpiece shown in FIG. 1, and a left side
elevational view thereof being a mirror image of the right
side elevational view.

The broken lines shown in the drawings are not a part of the
claimed design.

1 Claim, 4 Drawing Sheets



US D436,887 S

Page 2

U.S. PATENT DOCUMENTS						
			4,885,870	12/1989	Fong	47/79
			4,937,974	7/1990	Costa, Jr. et al.	47/81
4,231,187	11/1980	Greenbaum	5,259,509	11/1993	Boal, Jr. et al. .	
4,250,665	2/1981	English et al.	5,333,752	8/1994	Harding, Jr. .	
4,299,055	* 11/1981	Dziewulski et al.	5,429,236	7/1995	Evans .	
4,324,070	4/1982	Swisher	5,564,226	10/1996	Paramest .	
4,339,891	7/1982	Bassett	5,638,638	6/1997	Moskowitz .	
4,344,251	8/1982	Edling	5,806,241	9/1998	Byland et al. .	
4,553,352	11/1985	Powell et al. .	5,871,476	2/1999	Hand .	
4,880,156	11/1989	Wallet .				
4,885,869	12/1989	Kim				

* cited by examiner

FIG. 1

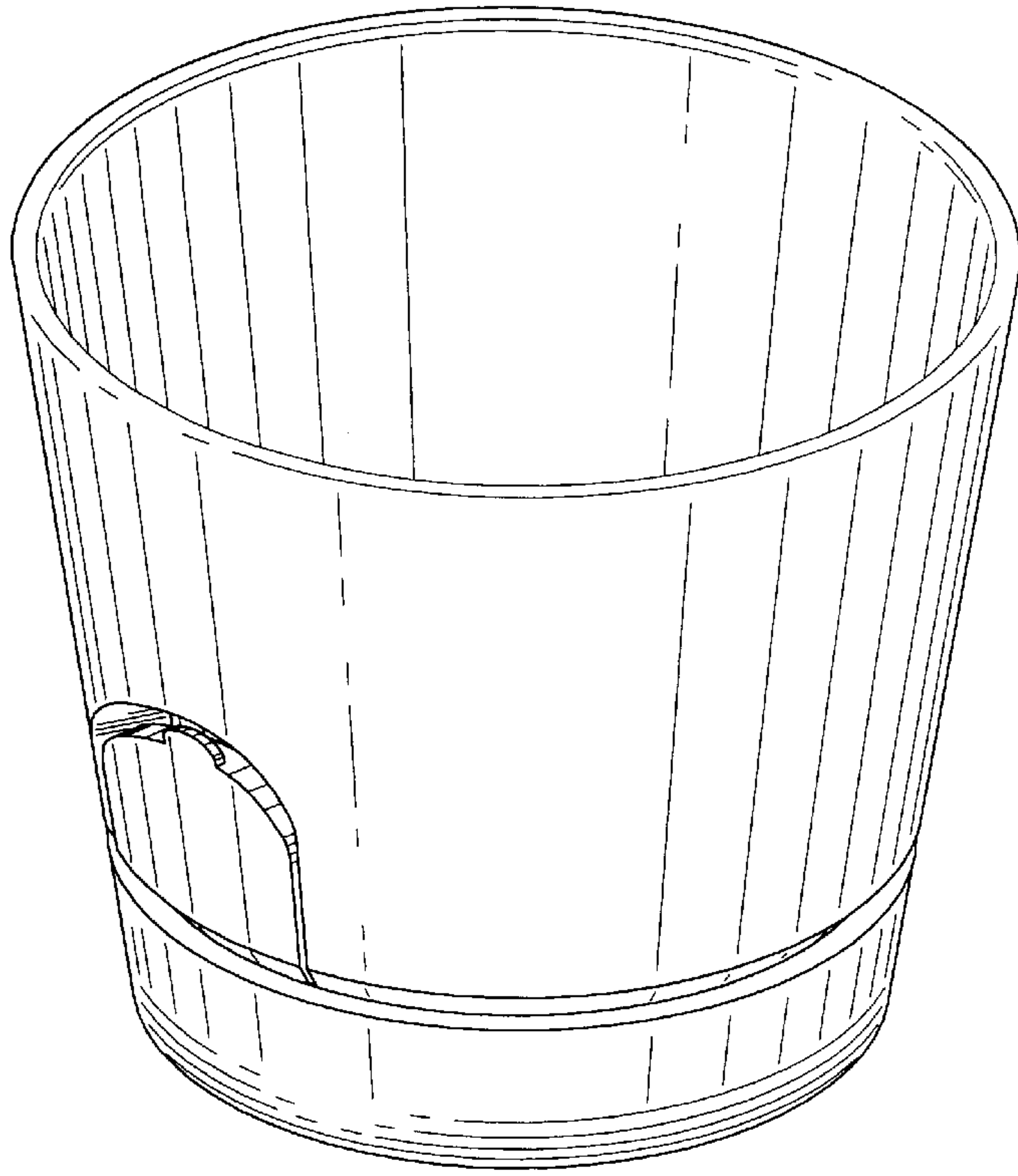


FIG. 2

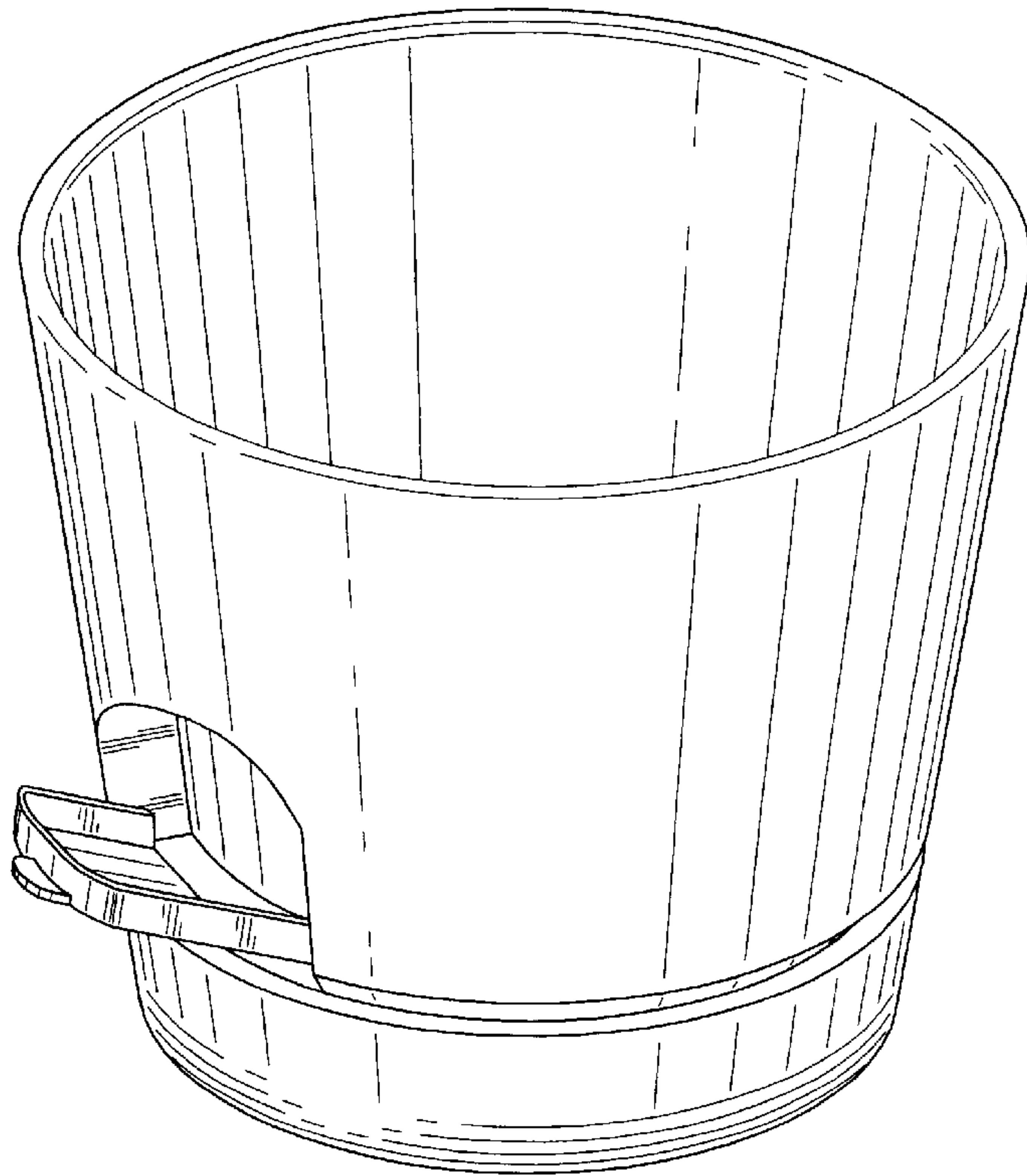


FIG. 3

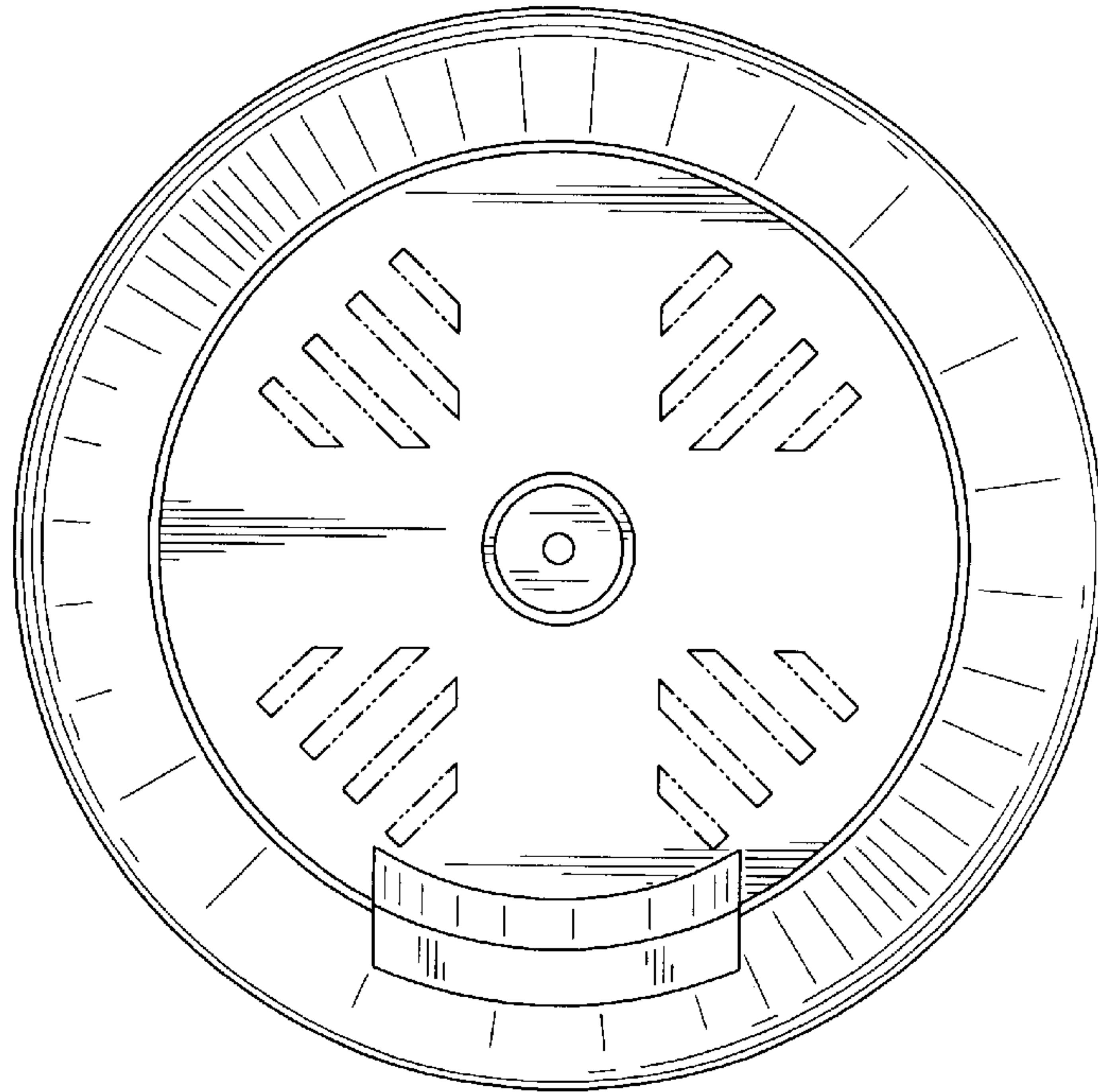


FIG. 4

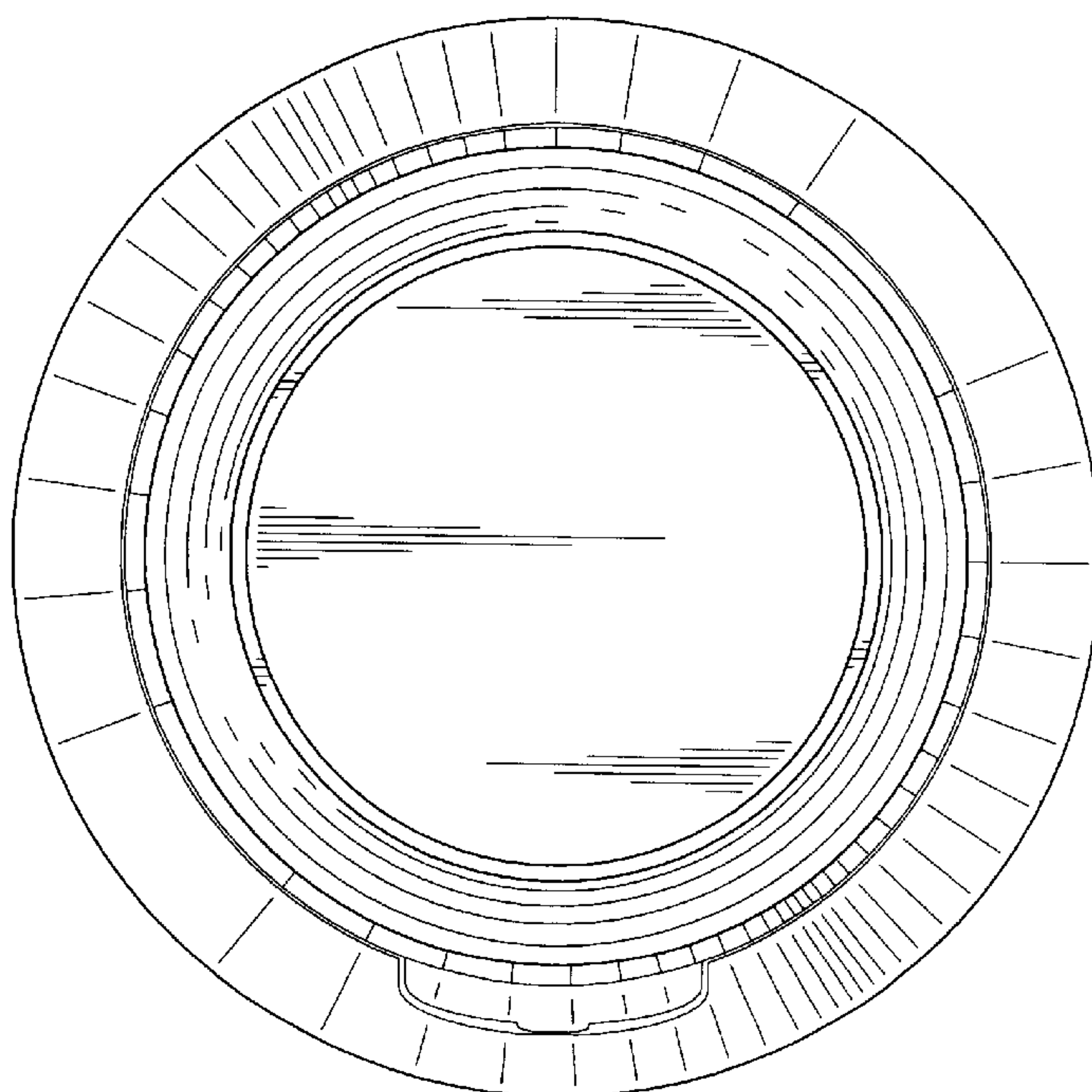


FIG. 5

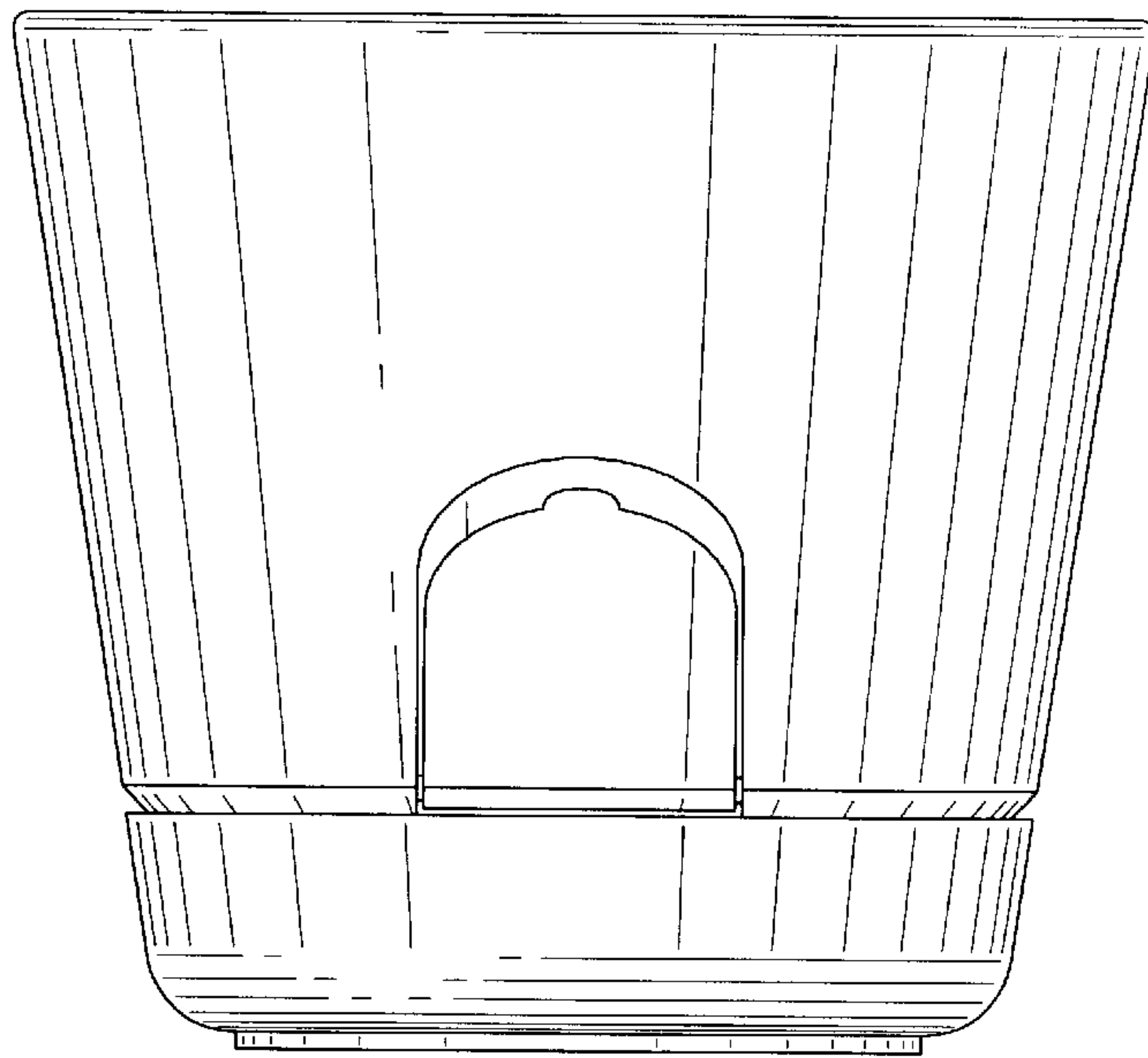


FIG. 6

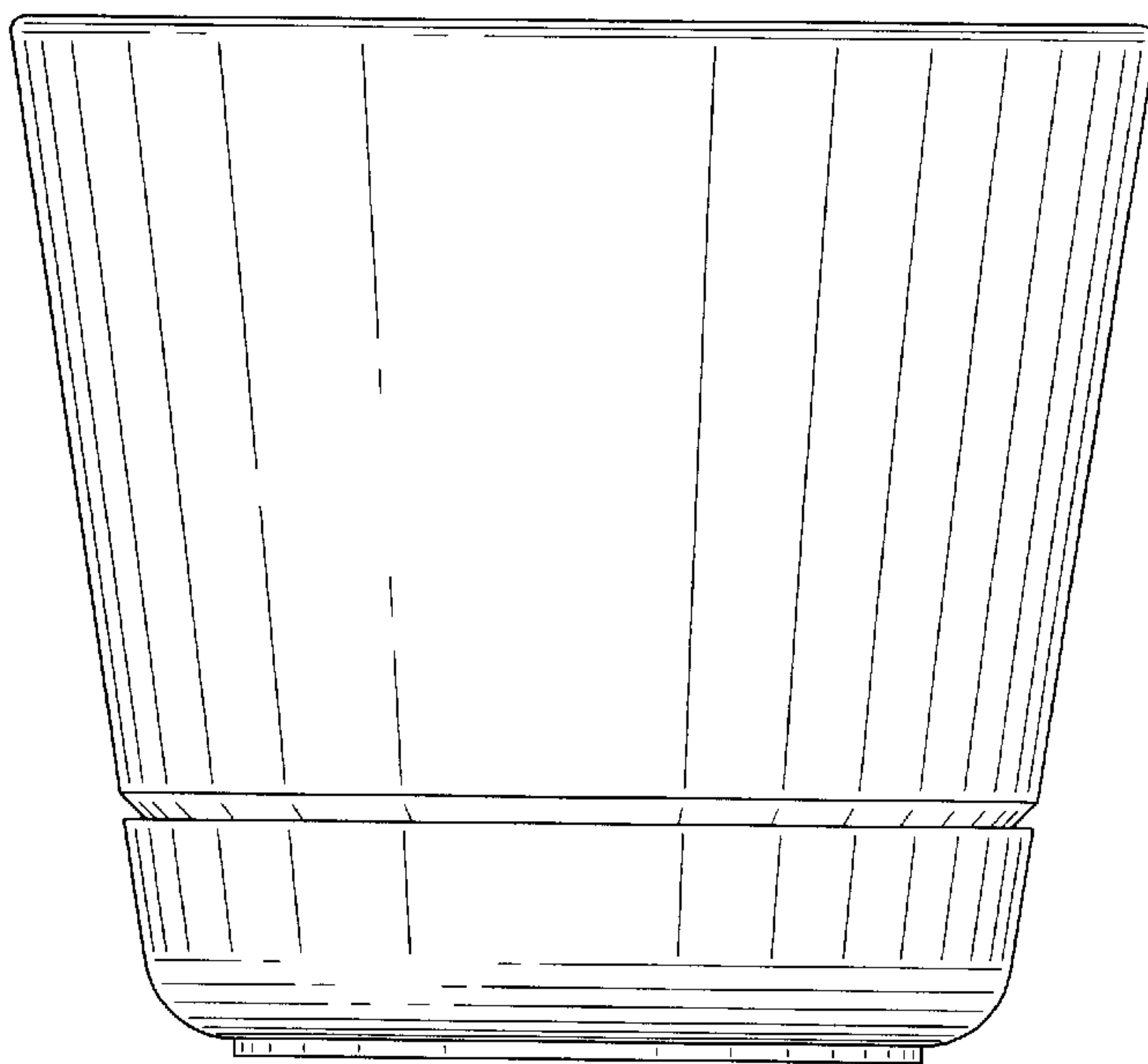


FIG. 7

