



US00D436885S

(12) **United States Design Patent**
Manfredi

(10) **Patent No.:** **US D436,885 S**

(45) **Date of Patent:** **** Jan. 30, 2001**

(54) **JEWELRY SETTING**

(76) Inventor: **Alfonse V. Manfredi**, 36 Jacksonia Dr.,
North Providence, RI (US) 02911

(**) Term: **14 Years**

(21) Appl. No.: **29/106,769**

(22) Filed: **Jun. 22, 1999**

(51) **LOC (7) Cl.** **11-01**

(52) **U.S. Cl.** **D11/91**

(58) **Field of Search** D11/1-43, 78,
D11/86, 89-91; 63/3, 4, 12, 13, 15, 26-28;
59/80

(56) **References Cited**

U.S. PATENT DOCUMENTS

D. 265,641	*	8/1982	Bongiorno	D11/92
D. 272,238	*	1/1984	Liebrick et al.	D11/92
821,007	*	5/1906	White	24/623
1,476,462	*	12/1923	Pejchar	63/26
4,781,038	*	11/1988	Branca et al.	63/26

* cited by examiner

Primary Examiner—Ralf Seifert

(74) *Attorney, Agent, or Firm*—Salter & Michaelson

(57) **CLAIM**

The ornamental design for a jewelry setting, as shown and described.

DESCRIPTION

FIG. 1 is a perspective view of a jewelry setting showing my new design;

FIG. 2 is a front elevational view thereof;

FIG. 3 is a rear elevational view thereof;

FIG. 4 is a left side view thereof;

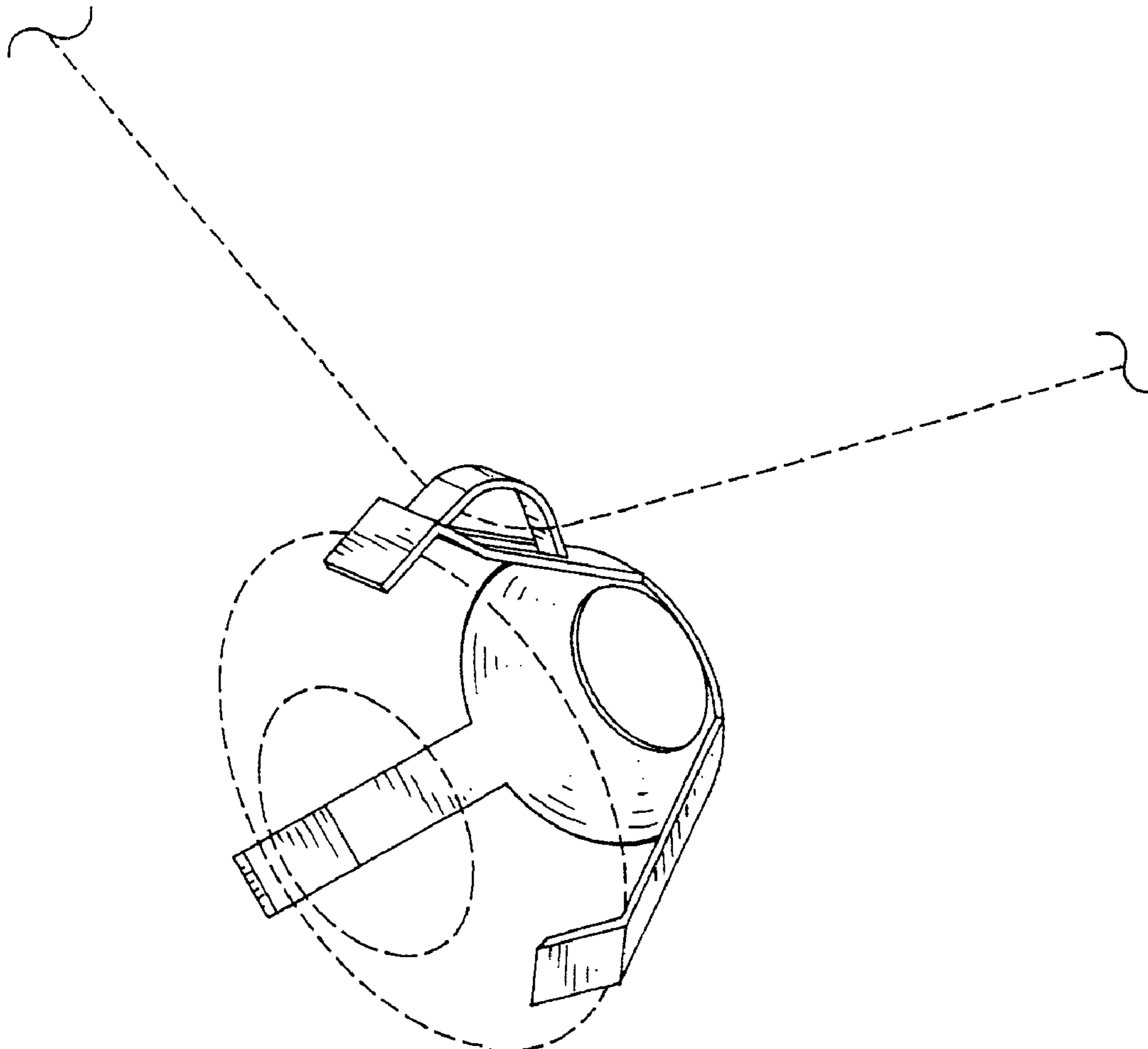
FIG. 5 is a right side view thereof;

FIG. 6 is a top plan view thereof; and,

FIG. 7 is a bottom plan view thereof.

The portions shown in broken lines in FIG. 1 are for information only and form no part of the instant design.

1 Claim, 2 Drawing Sheets



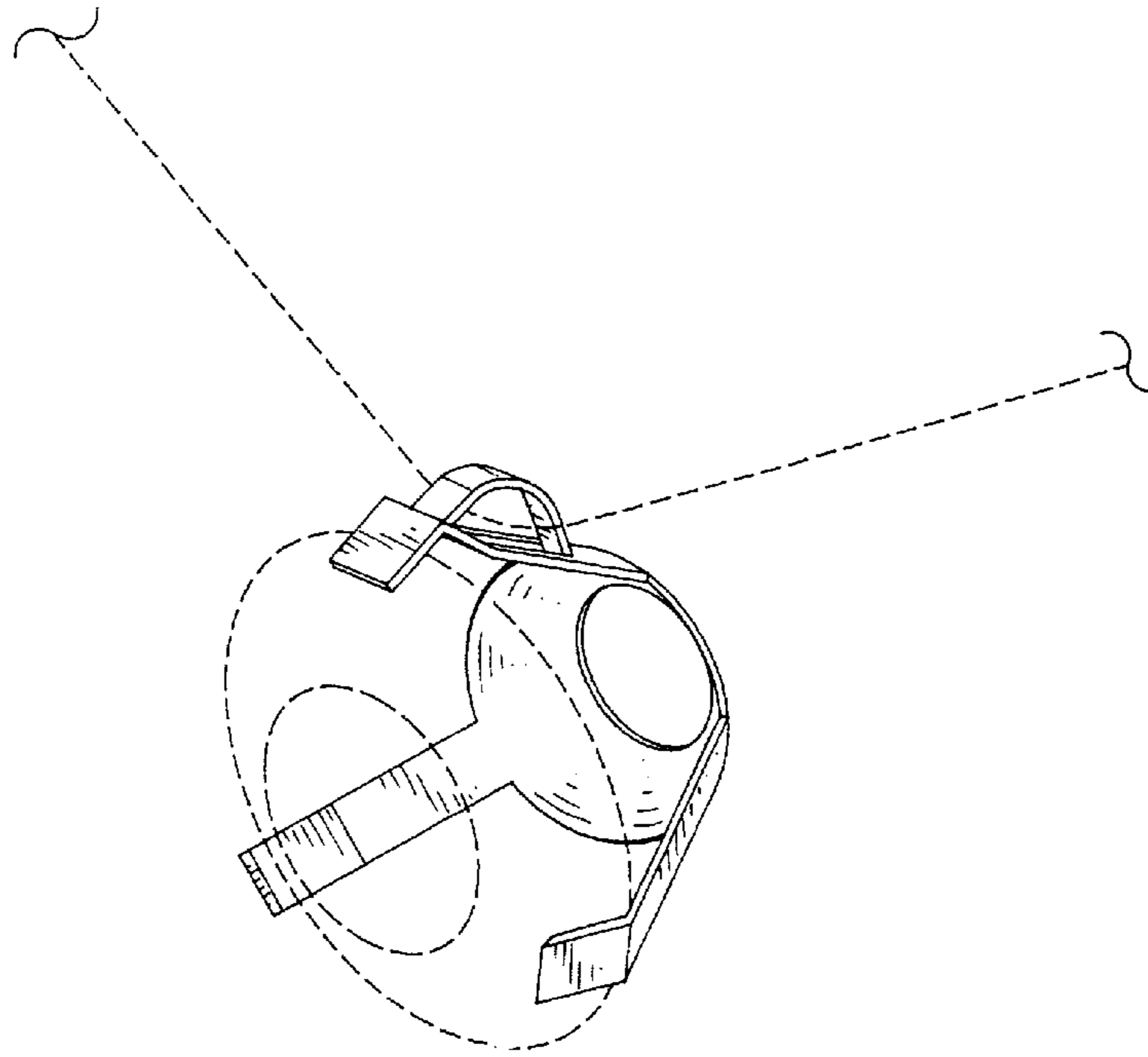


FIG. 1

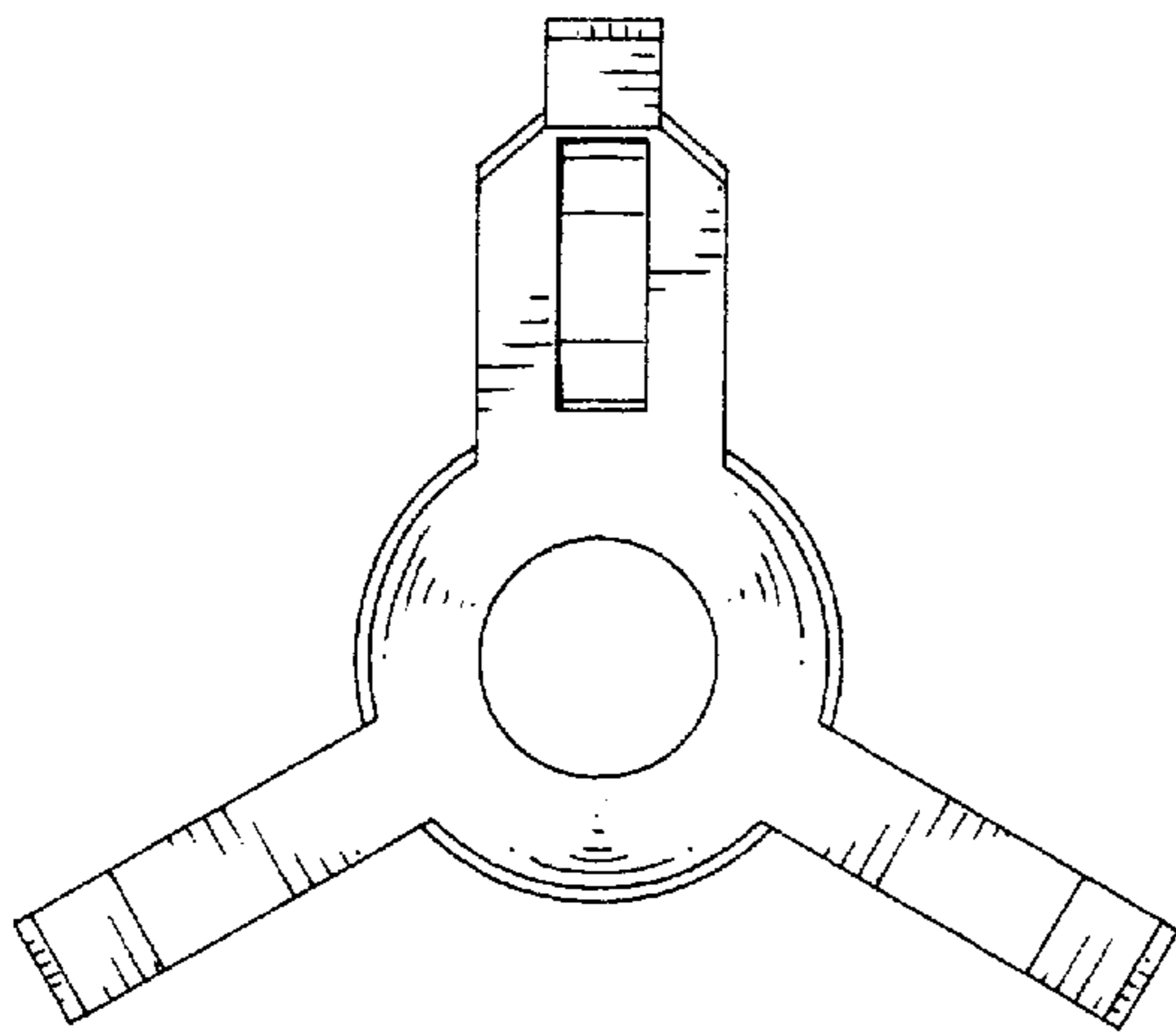


FIG. 2

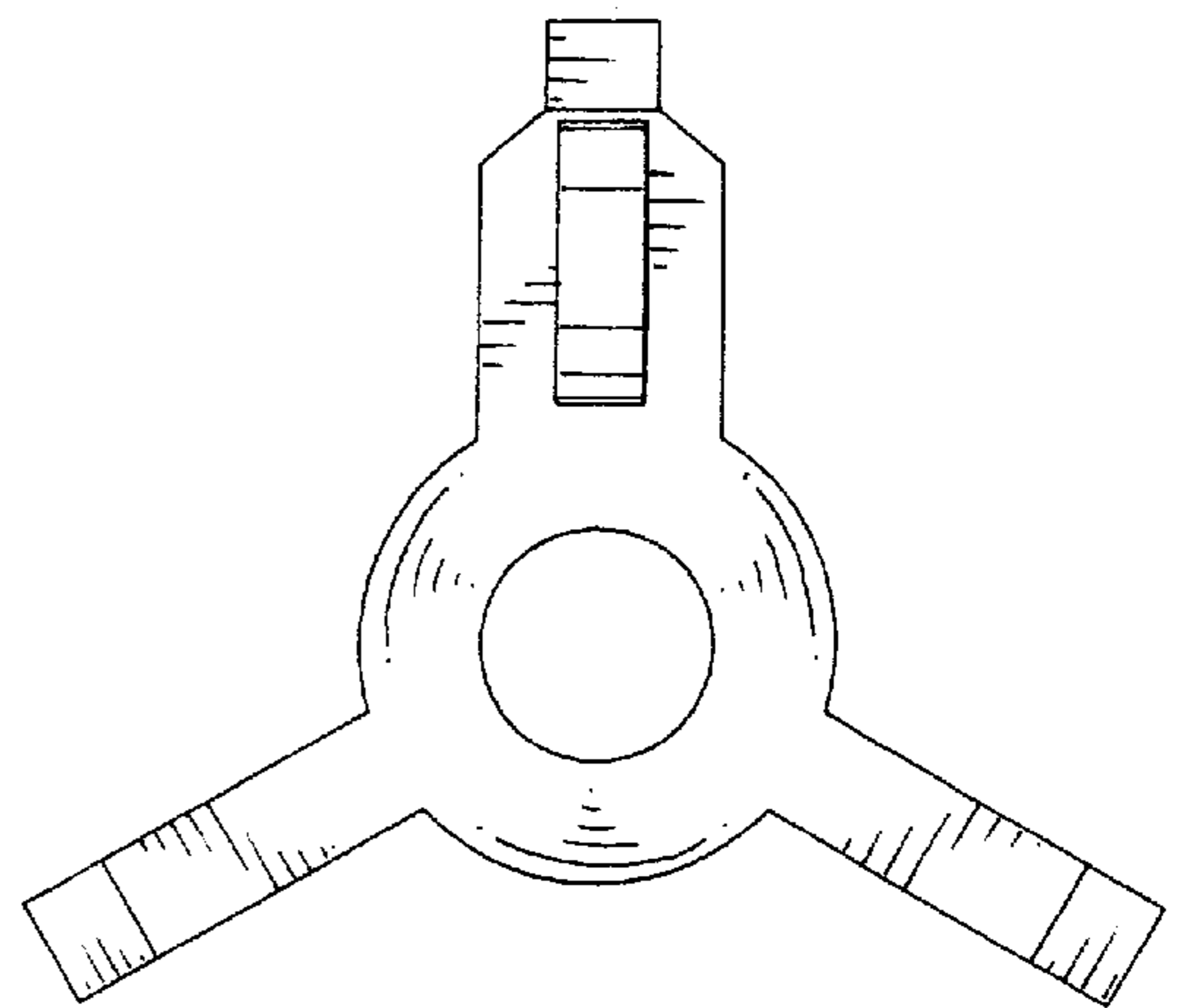


FIG. 3

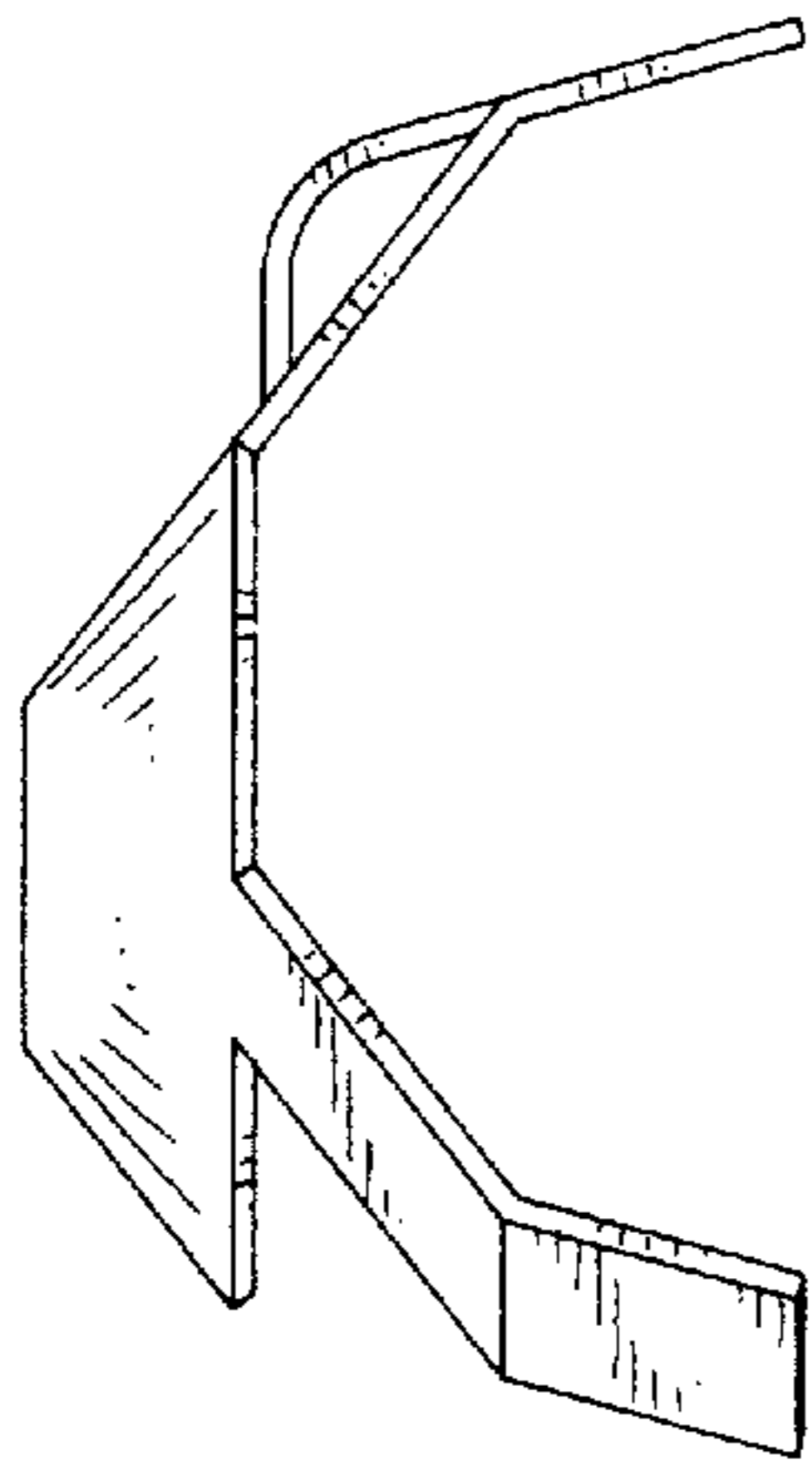


FIG. 4

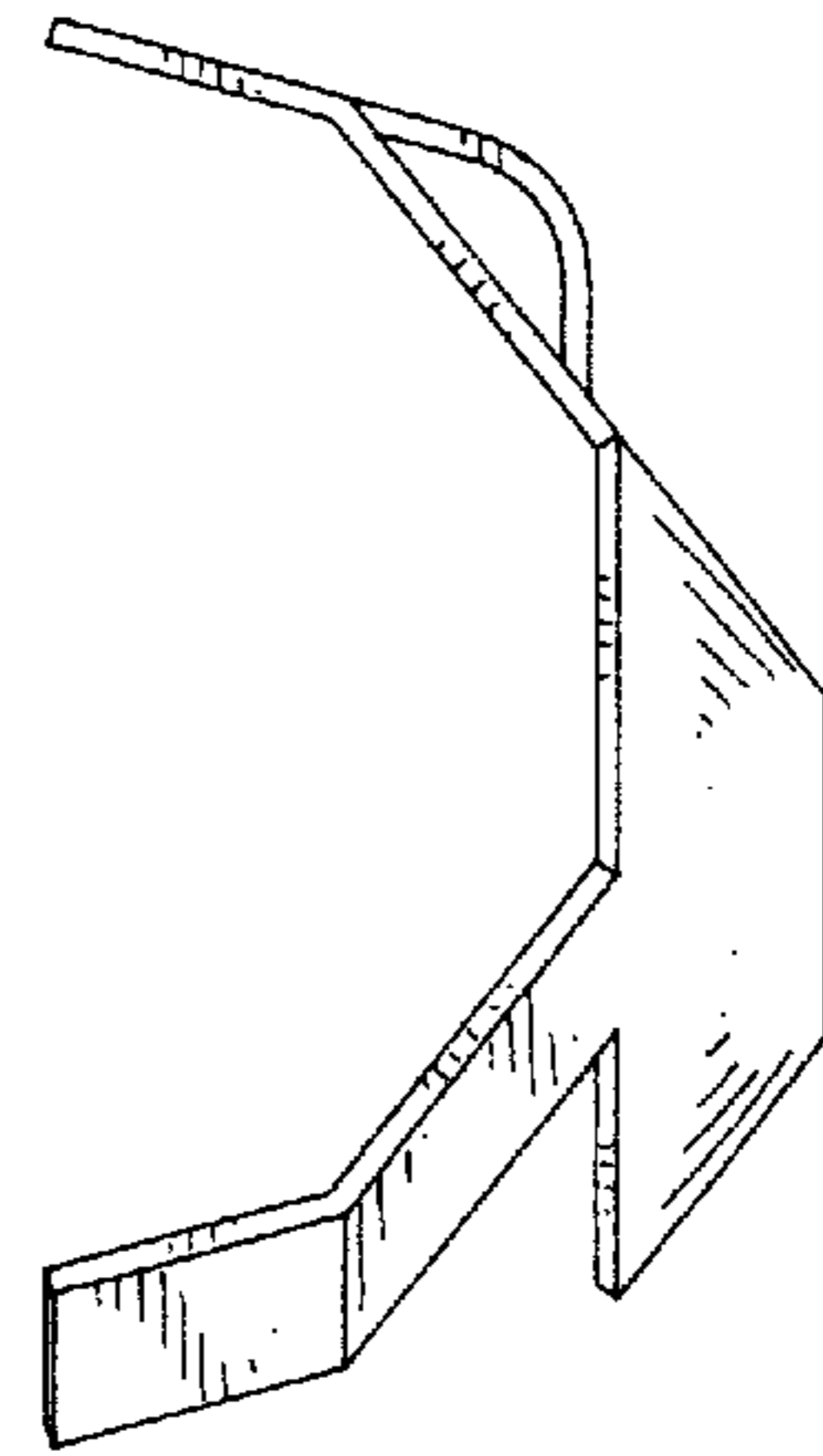


FIG. 5

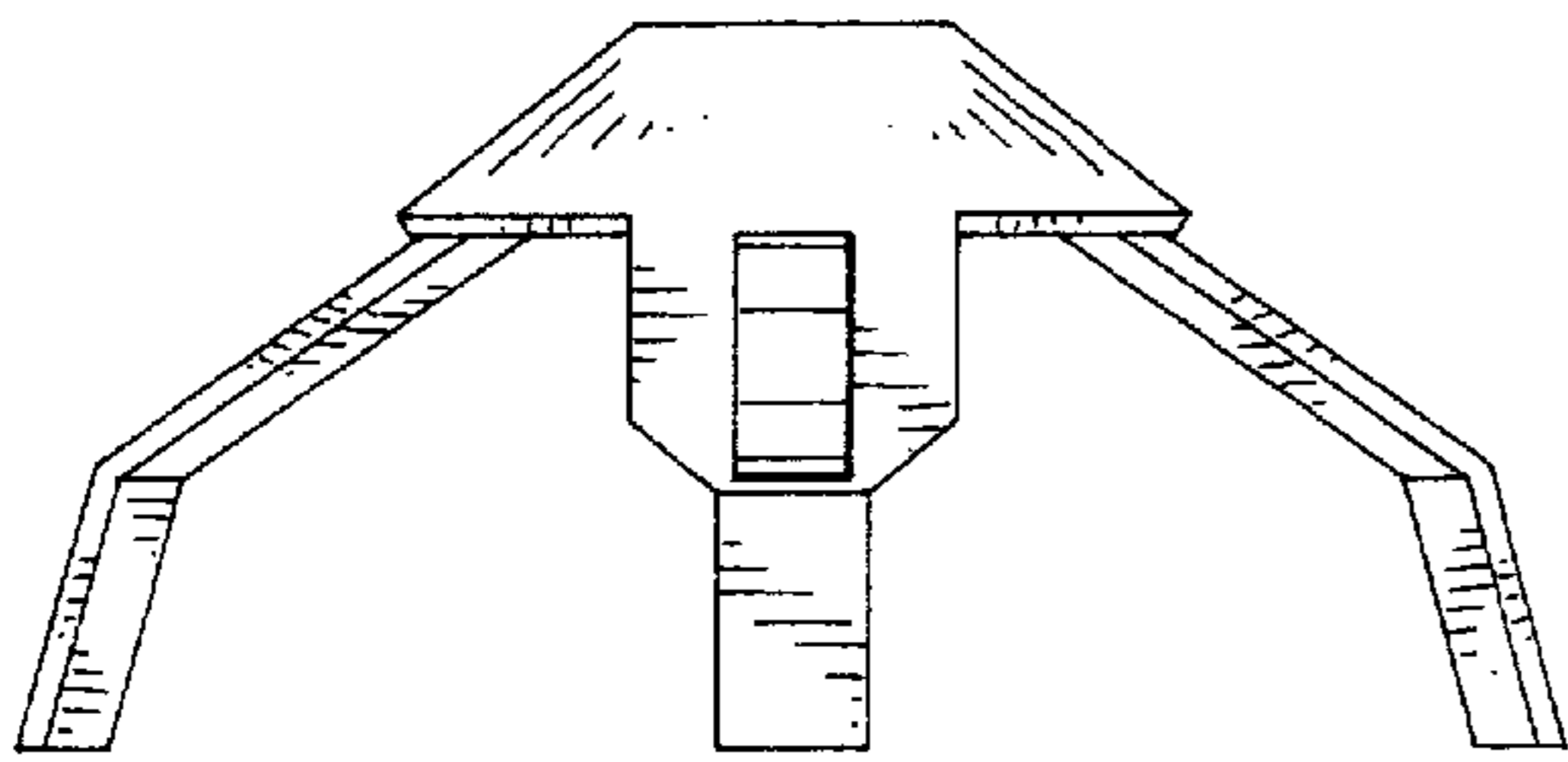


FIG. 6

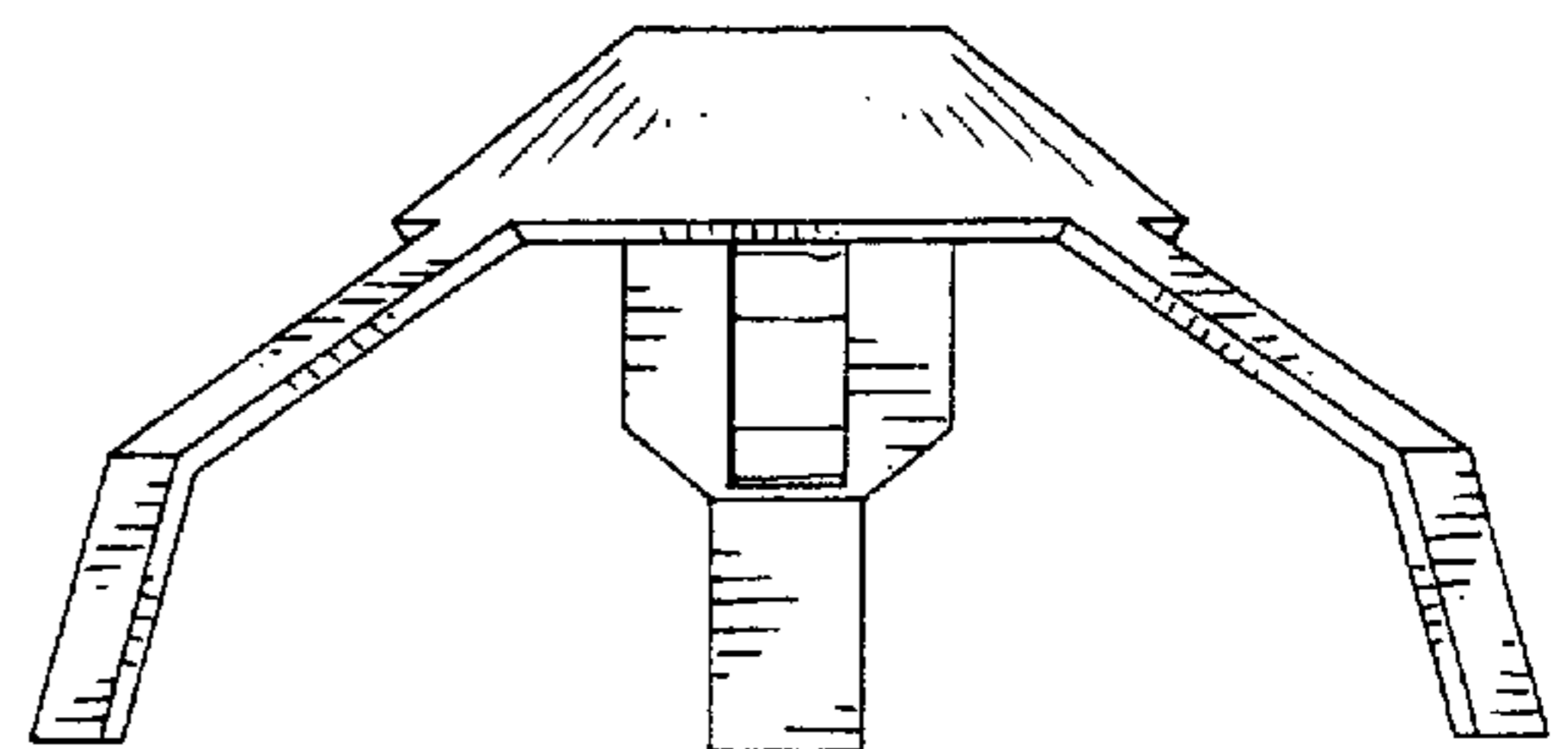


FIG. 7