



US00D436881S

(12) **United States Design Patent**
Sloven

(10) **Patent No.:** **US D436,881 S**

(45) **Date of Patent:** **** Jan. 30, 2001**

(54) **VEHICLE PARKING INDICATOR LIGHT**

D. 378,068 * 2/1997 Davis et al. D10/114
D. 425,812 * 5/2000 Bodo D10/114

(76) Inventor: **Larry Paul Sloven**, 2202, 22/F,
Weltech Centre, 9 Pat Tat Street, San Po
Kong, Kowloon (HK)

* cited by examiner

(**) Term: **14 Years**

Primary Examiner—Marcus A. Jackson
(74) *Attorney, Agent, or Firm*—Liniak, Berenato, Longacre
& White

(21) Appl. No.: **29/116,898**

(57) **CLAIM**

(22) Filed: **Jan. 13, 2000**

The ornamental design for a vehicle parking indicator light,
as shown and described.

(51) **LOC (7) Cl.** **10-05**

DESCRIPTION

(52) **U.S. Cl.** **D10/114; D10/115**

(58) **Field of Search** D10/109, 111,
D10/114, 115; 116/63 R, 63 P; D20/10,
41, 42; 40/584, 585, 605, 606, 611, 612,
617

FIG. 1 is a front view of a vehicle parking indicator light
showing my new design.

FIG. 2 is a rear view of the light shown in FIG. 1.

FIG. 3 is a top view of the light shown in FIG. 1.

FIG. 4 is a bottom view of the light shown in FIG. 1.

FIG. 5 is a left side view of the light shown in FIG. 1.

FIG. 6 is a right side view of the light shown in FIG. 1; and,

FIG. 7 is a top and left side perspective view of the light
shown in FIG. 1.

(56) **References Cited**

U.S. PATENT DOCUMENTS

D. 169,221 * 3/1953 Reingold D10/115
D. 314,524 * 2/1991 Perry D10/115
D. 376,332 * 12/1996 Fercano D10/114

1 Claim, 4 Drawing Sheets

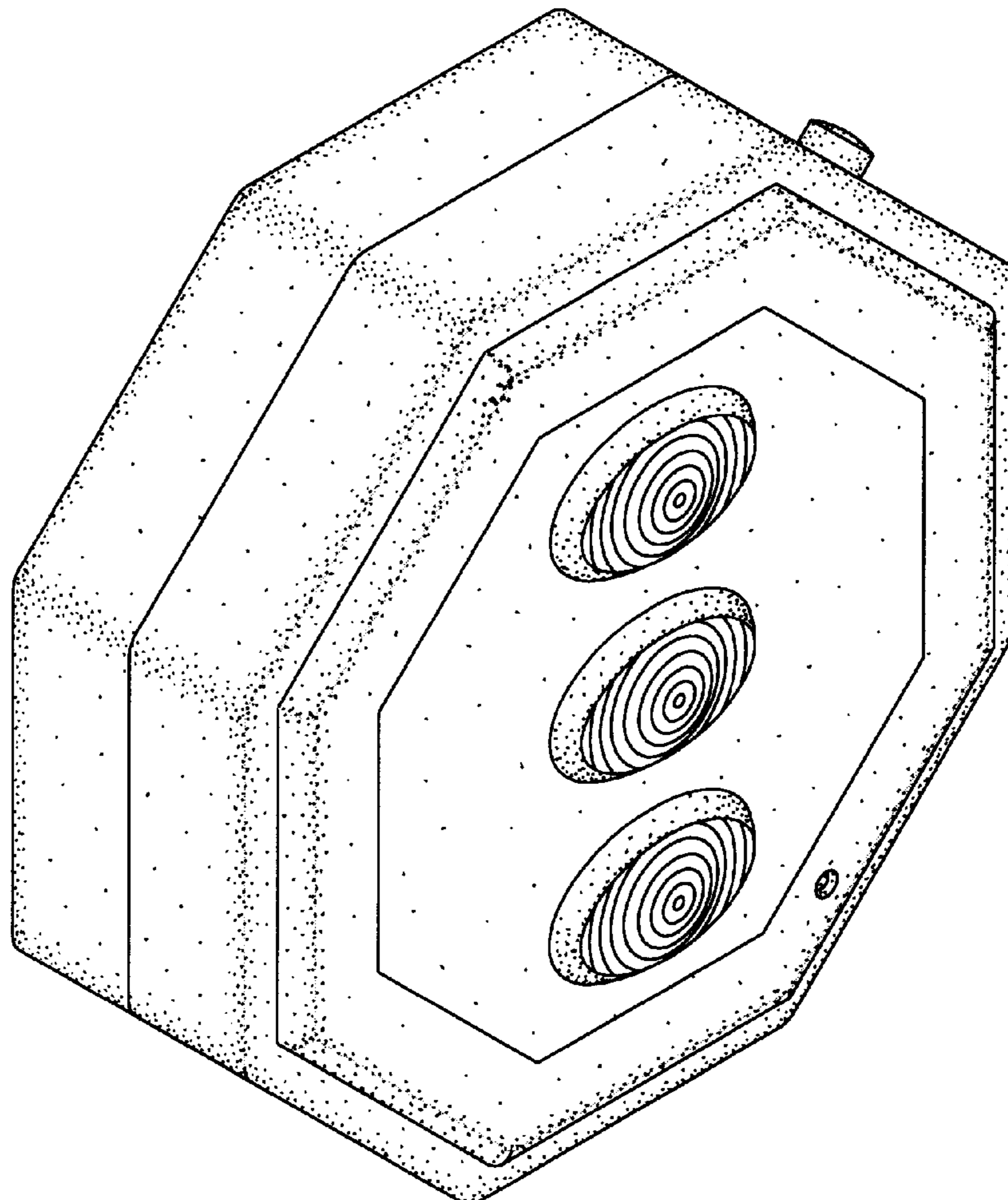


Fig. 1

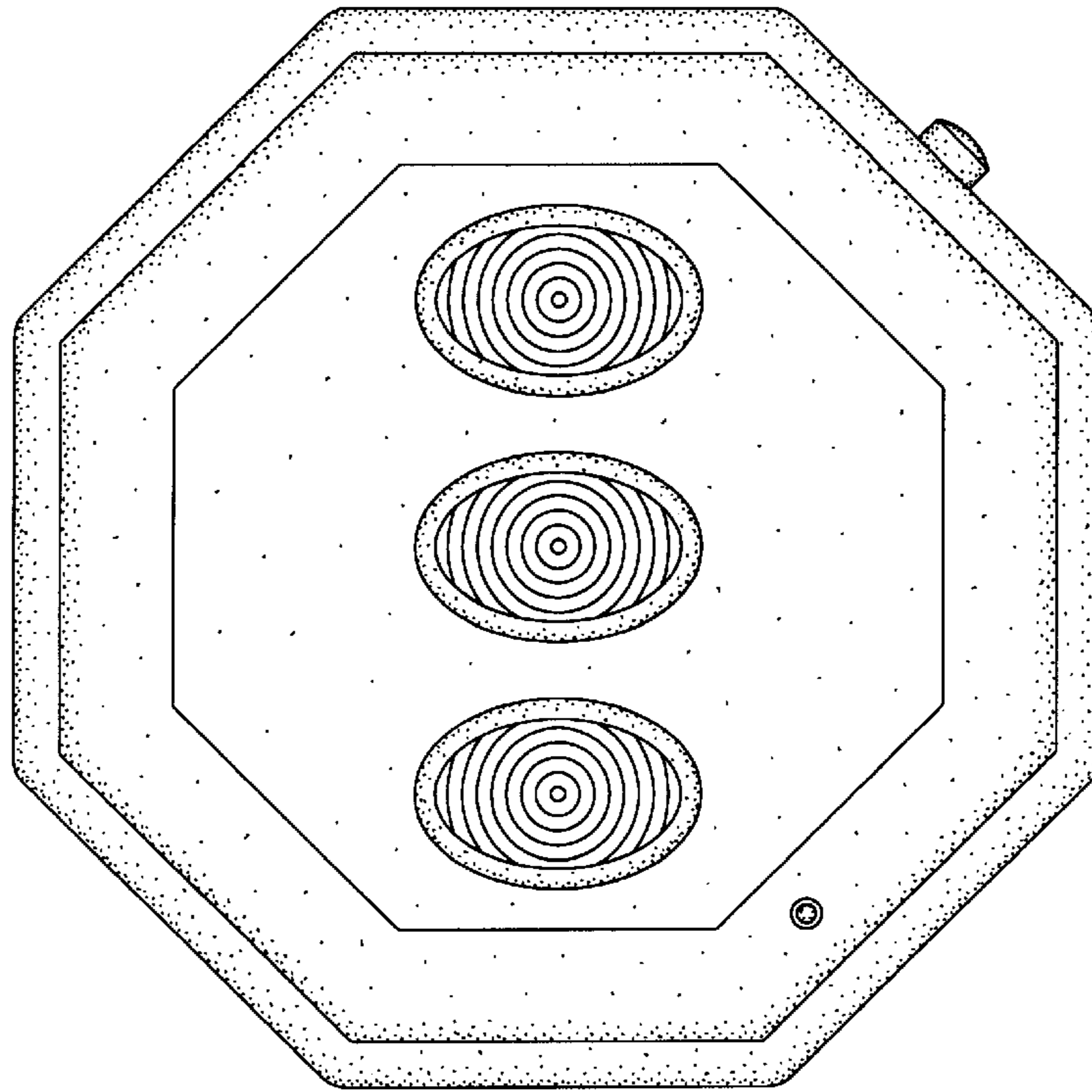


Fig. 2

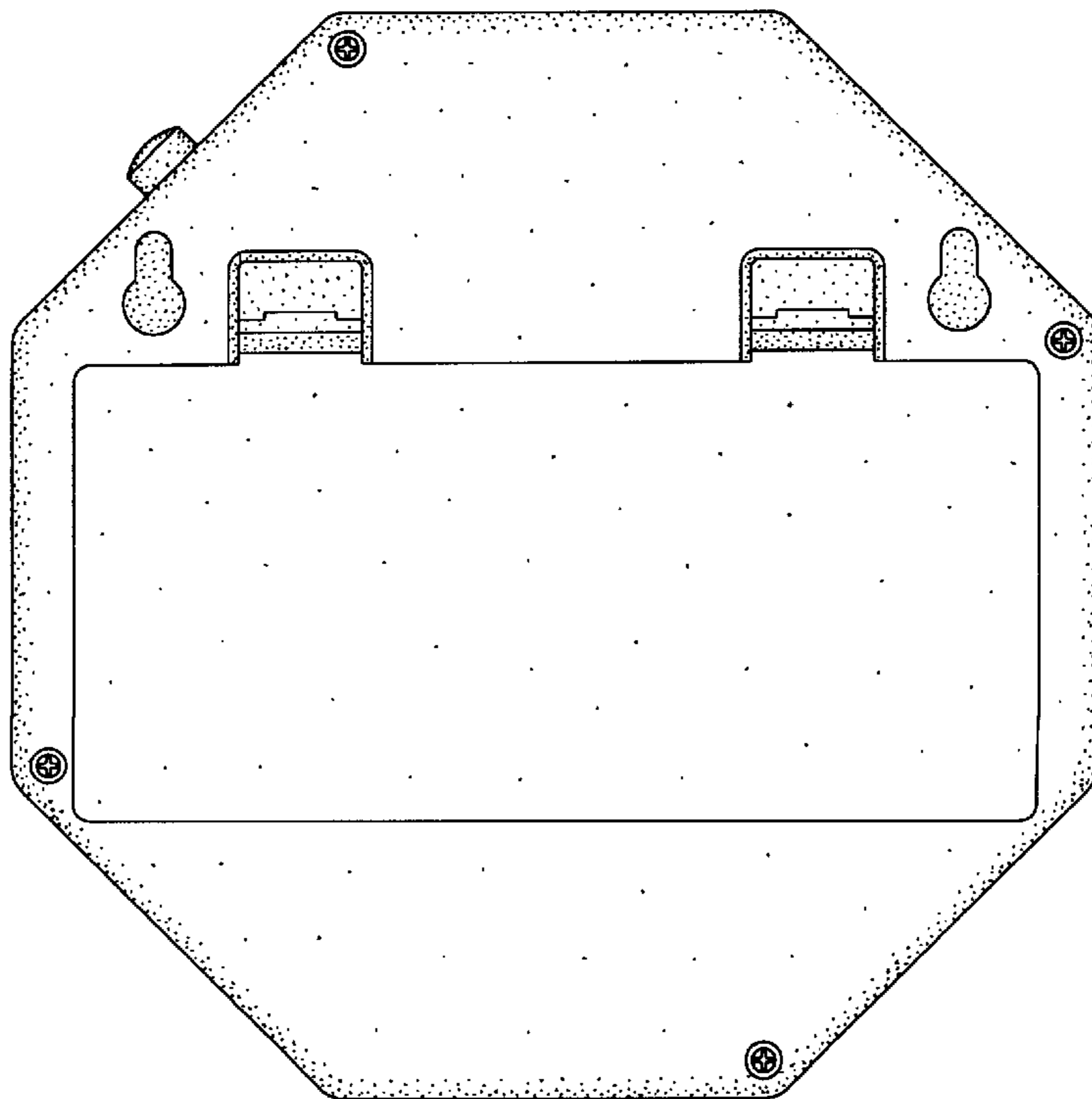


Fig. 3

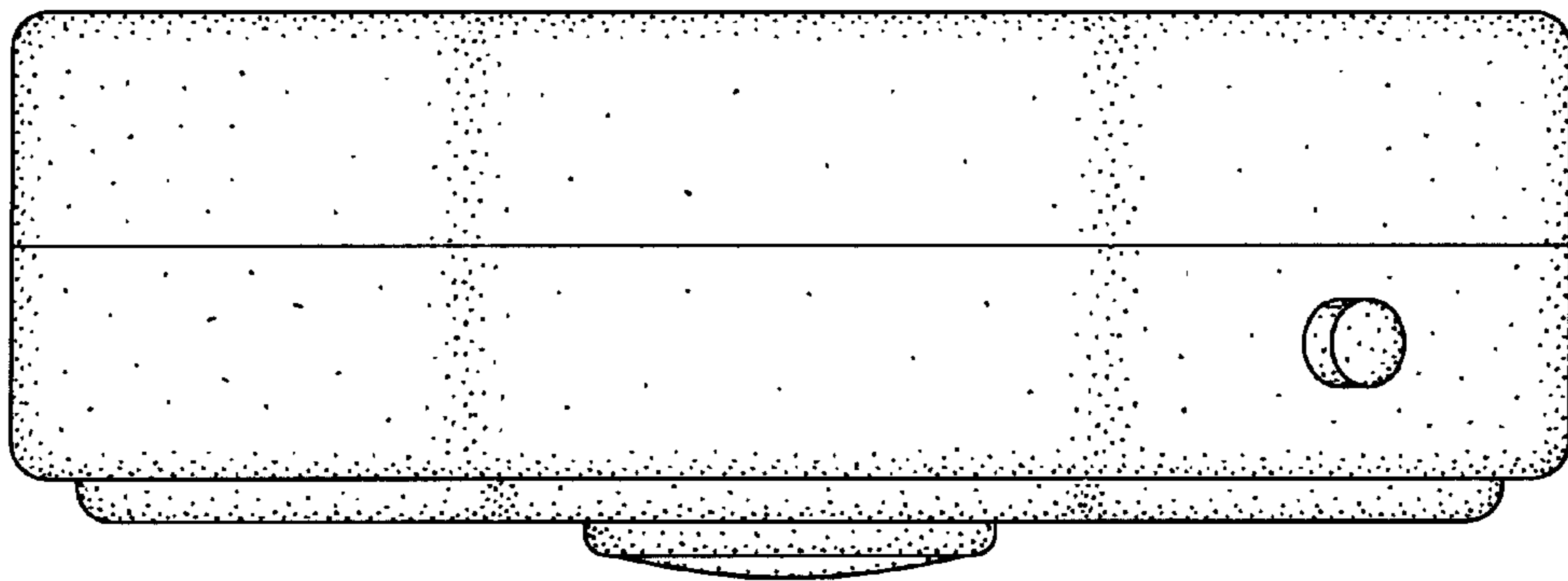


Fig. 4

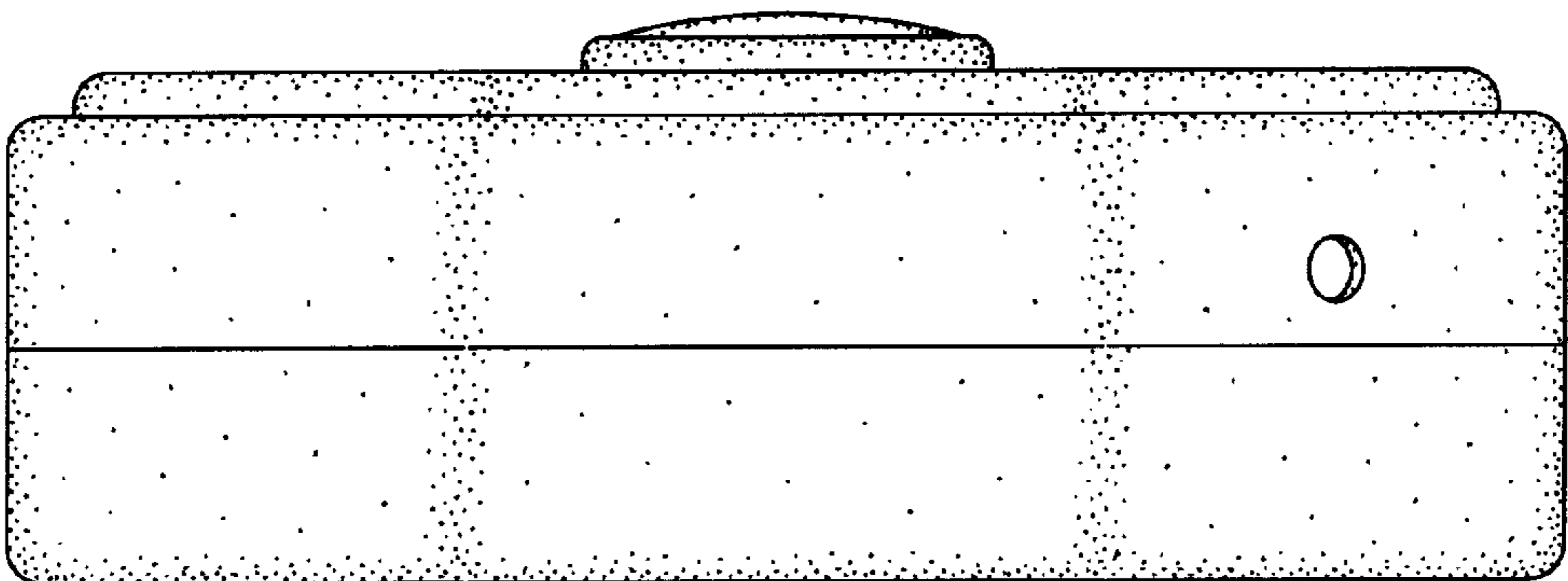


Fig. 5

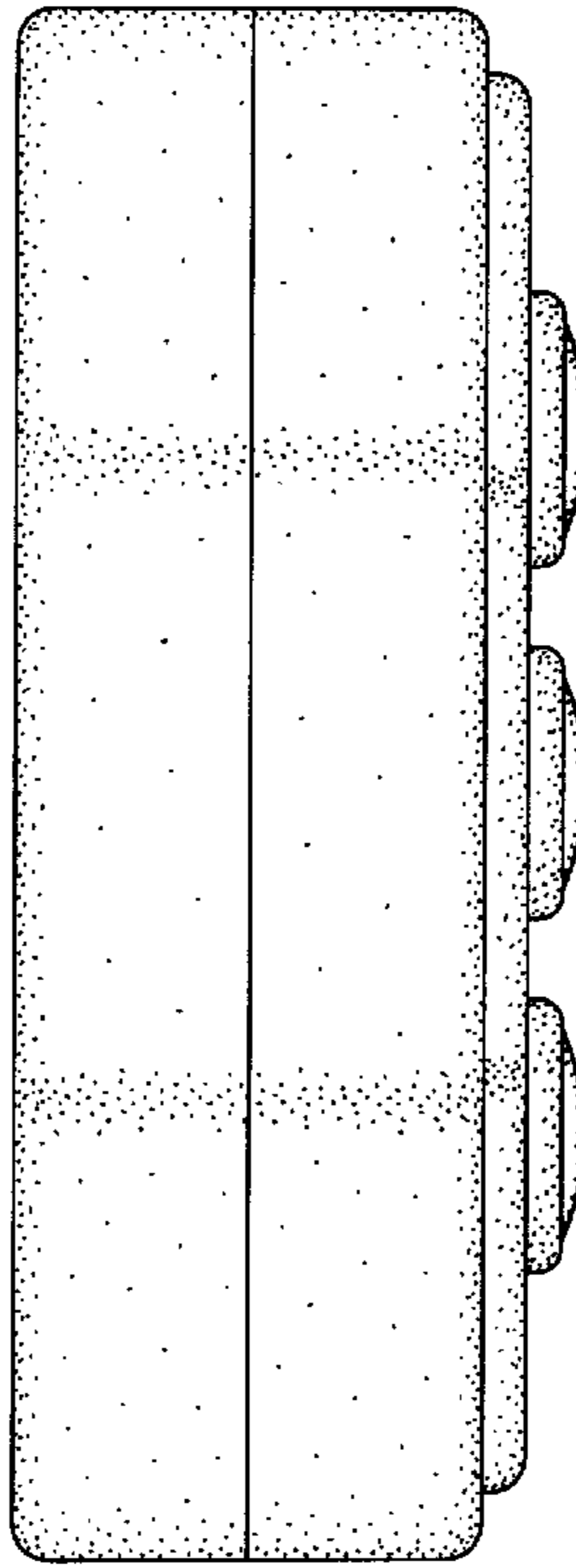


Fig. 6

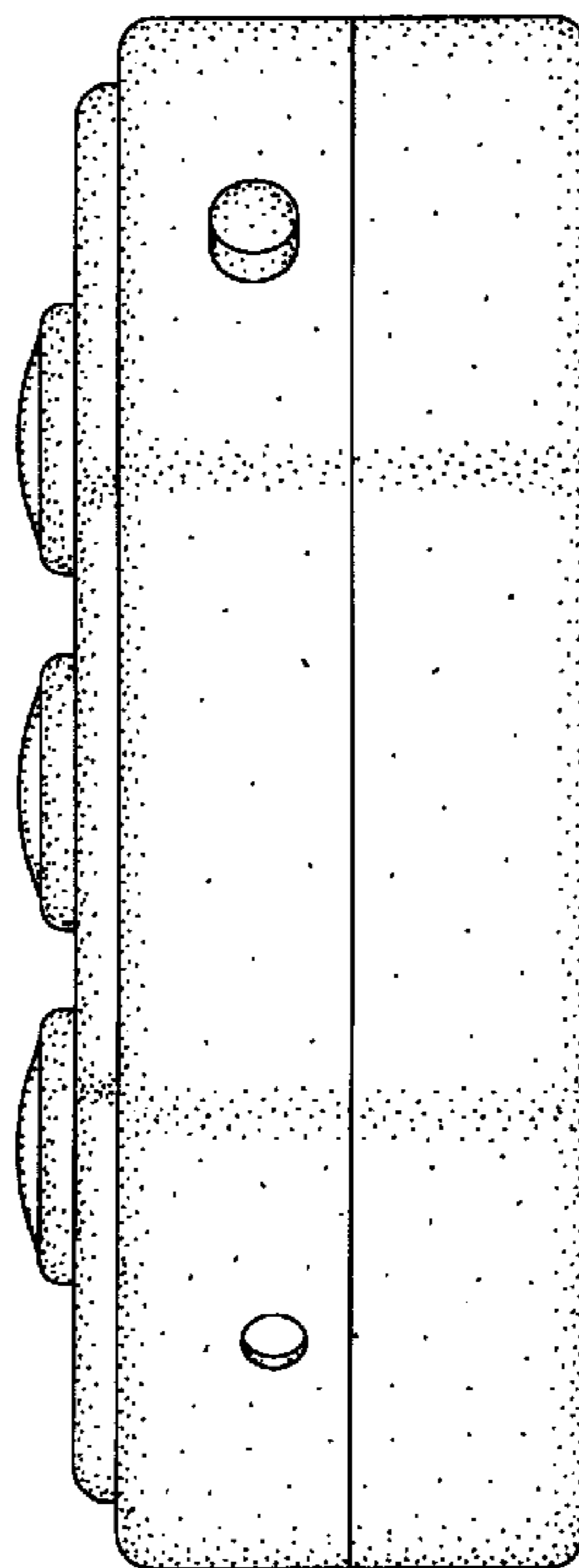


Fig. 7

