



US00D436878S

(12) **United States Design Patent**
Vassell

(10) **Patent No.:** **US D436,878 S**

(45) **Date of Patent:** **** Jan. 30, 2001**

(54) **CHILD MONITORING DEVICE**

(76) Inventor: **Pernell Vassell**, 609 W. 191th St. #22,
New York, NY (US) 10040

(**) Term: **14 Years**

(21) Appl. No.: **29/126,403**

(22) Filed: **Jul. 14, 2000**

(51) **LOC (7) Cl.** **10-05**

(52) **U.S. Cl.** **D10/104**

(58) **Field of Search** D10/104, 106,
D10/116, 121; D14/137, 140, 142, 147,
155, 159; 340/540, 541, 545, 571, 572,
573, 691, 693

(56) **References Cited**

U.S. PATENT DOCUMENTS

- D. 398,303 * 9/1998 Greger D10/104
- D. 413,827 * 9/1999 Fenner D10/104

- D. 424,958 * 5/2000 Nowak D10/104
- D. 430,052 * 8/2000 Nowak D10/104

* cited by examiner

Primary Examiner—Marcus A. Jackson

(74) *Attorney, Agent, or Firm*—Goldstein & Canino

(57) **CLAIM**

The ornamental design for a child monitoring device, as shown and described.

DESCRIPTION

FIG. 1 is a perspective view of a child monitoring device.
 FIG. 2 is a front elevational view thereof.
 FIG. 3 is a rear elevational view thereof.
 FIG. 4 is a left side elevational view thereof.
 FIG. 5 is a right side elevational view thereof.
 FIG. 6 is a top plan view of the child monitoring device; and,
 FIG. 7 is a bottom plan view thereof.

1 Claim, 3 Drawing Sheets

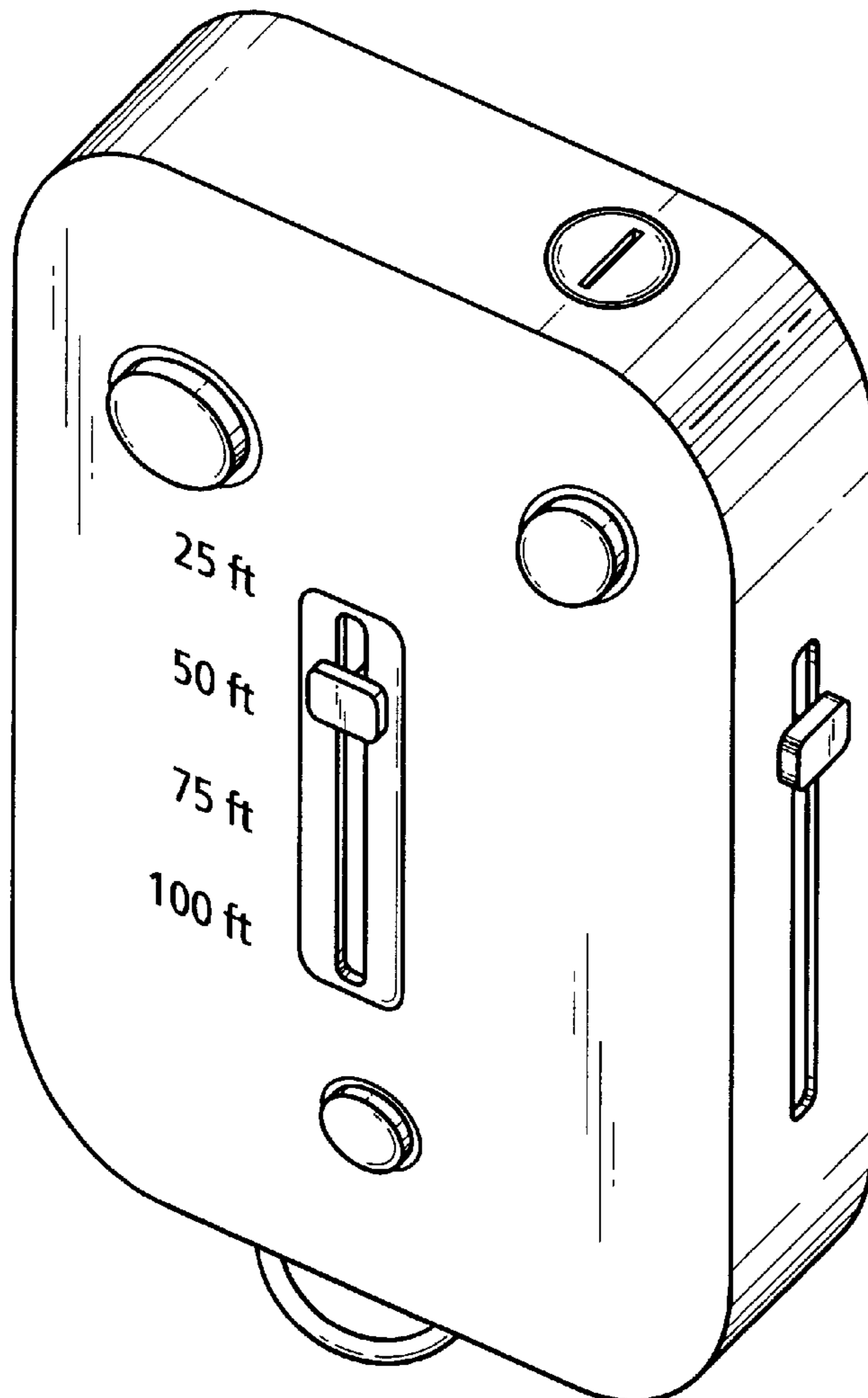


Fig. 1

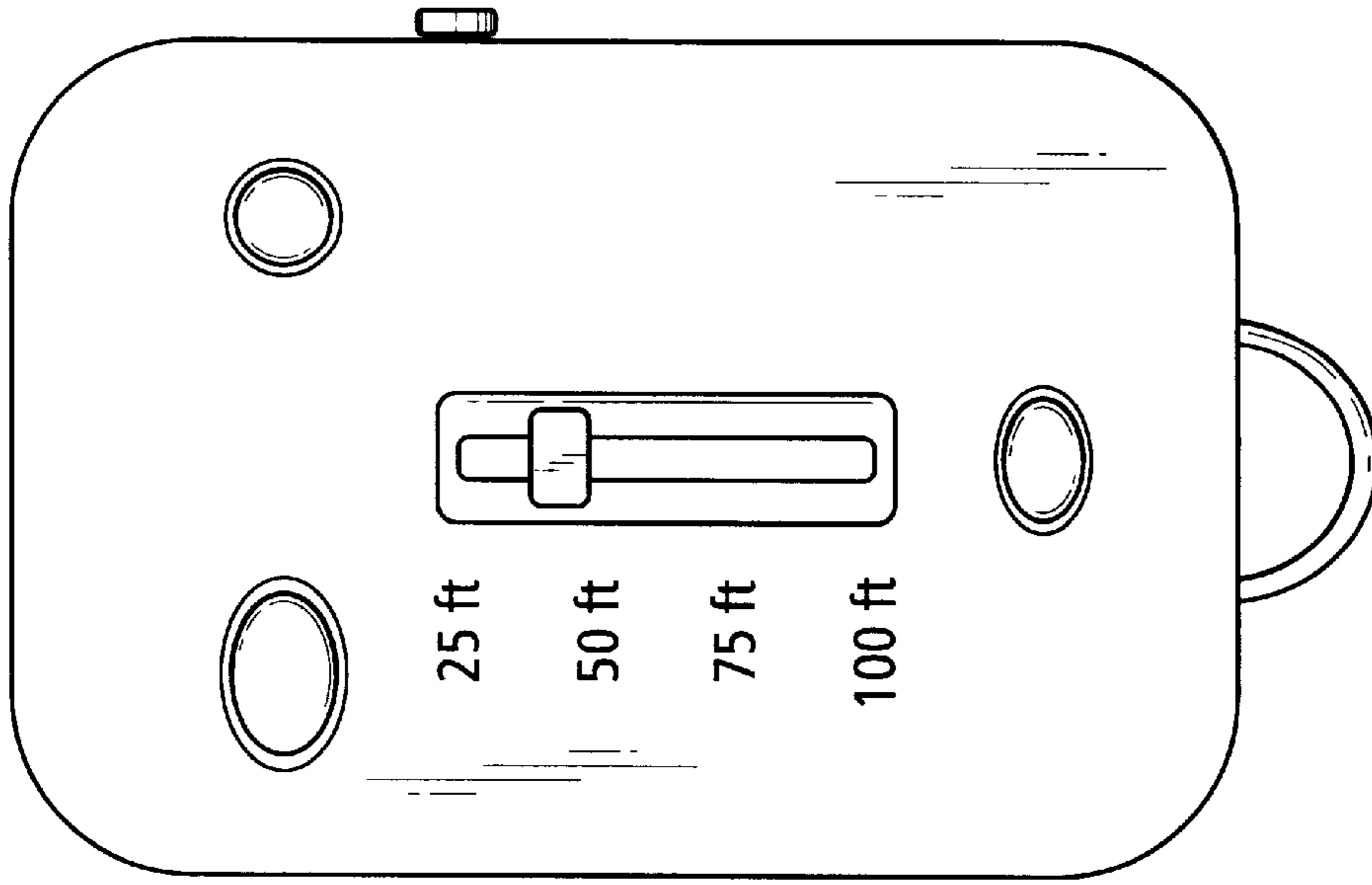
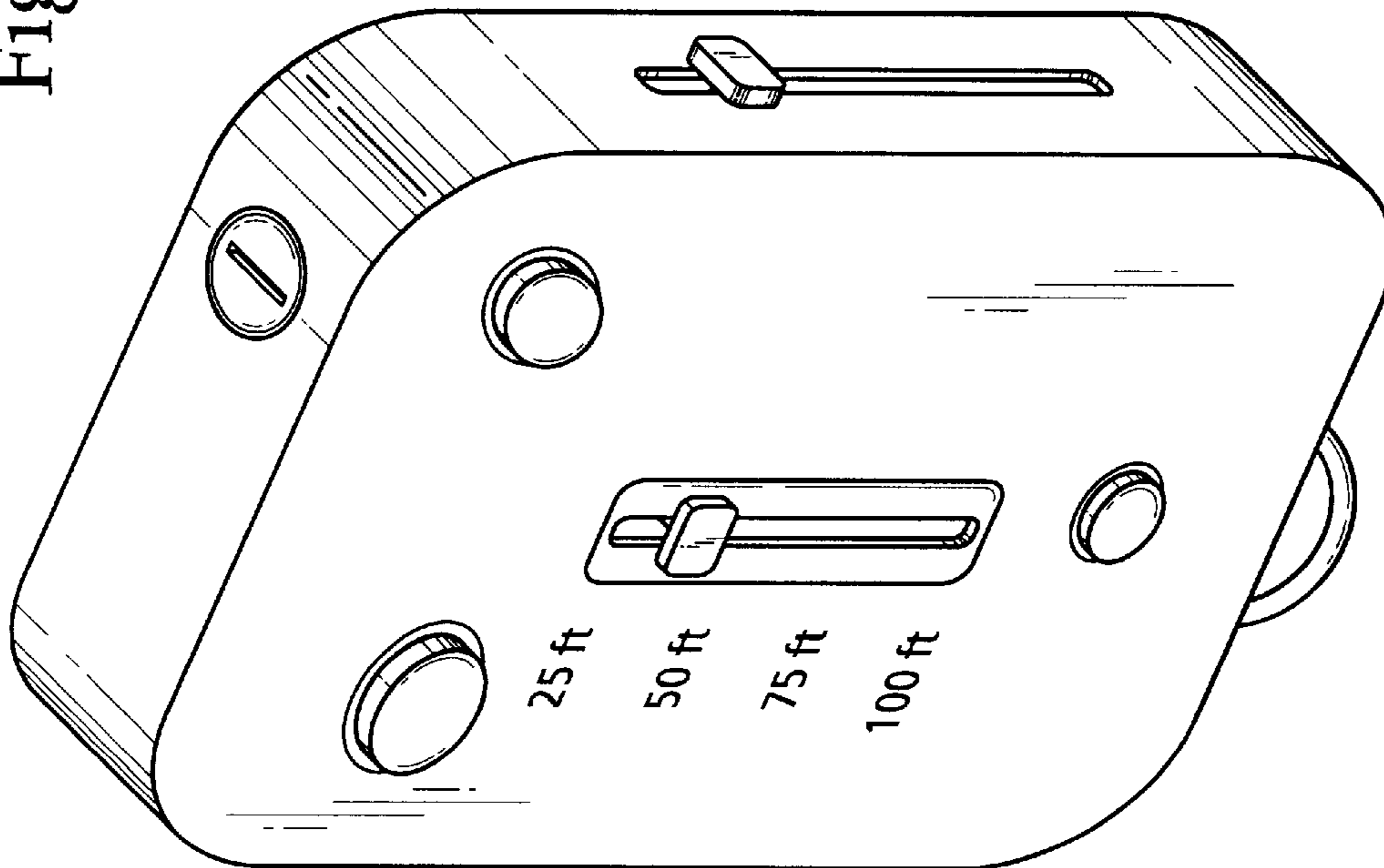


Fig. 2

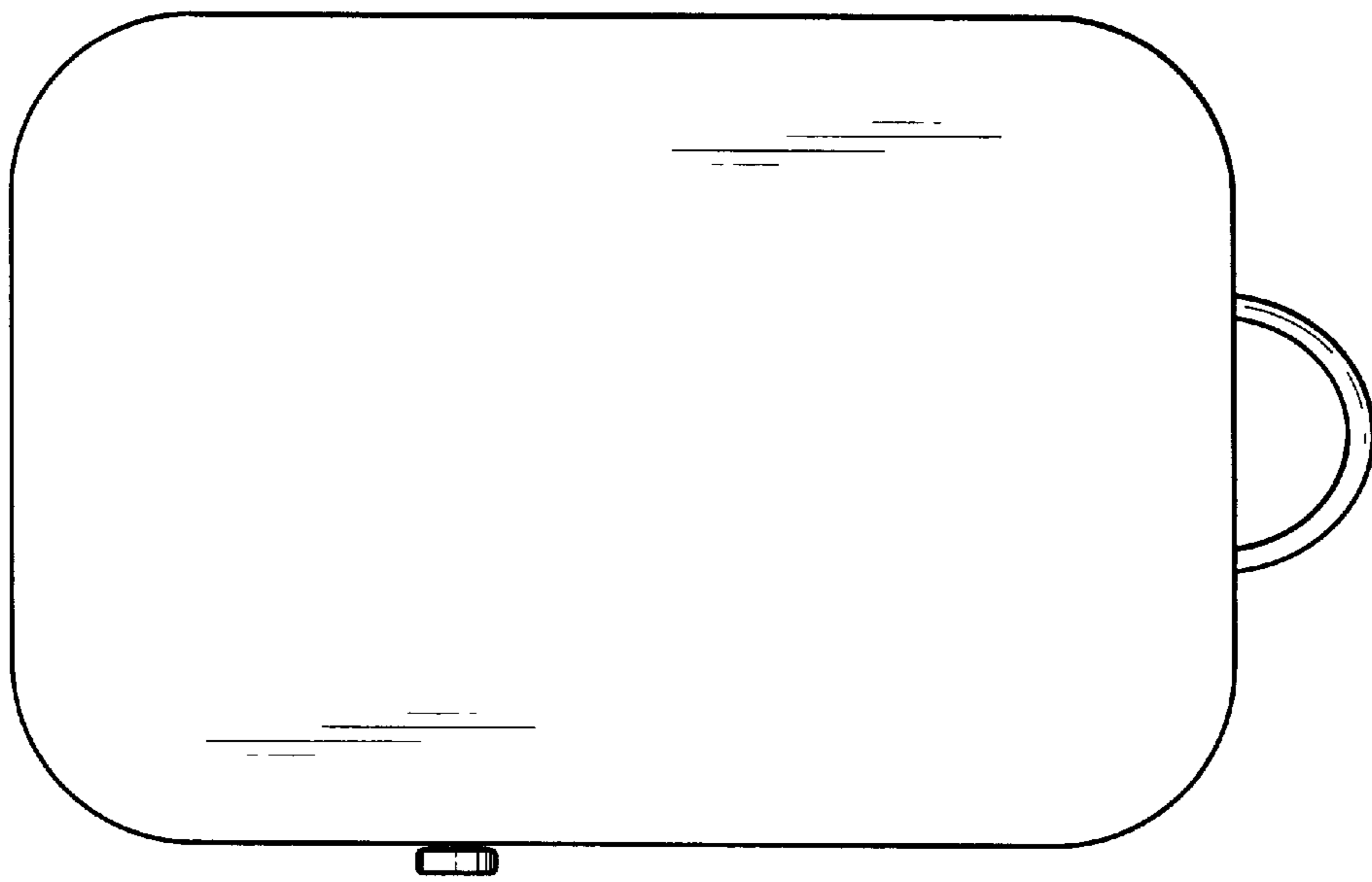


Fig. 3

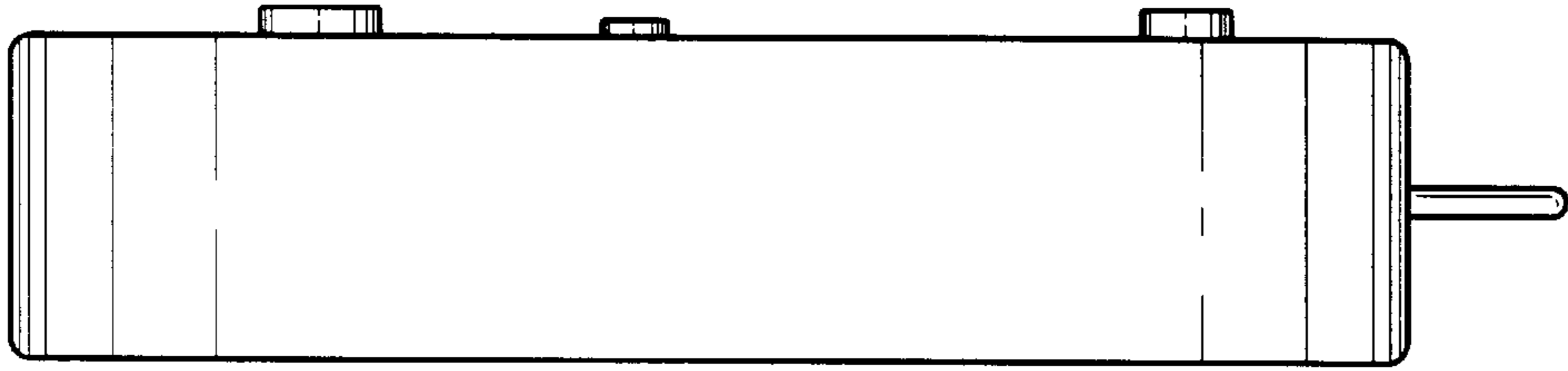


Fig. 4

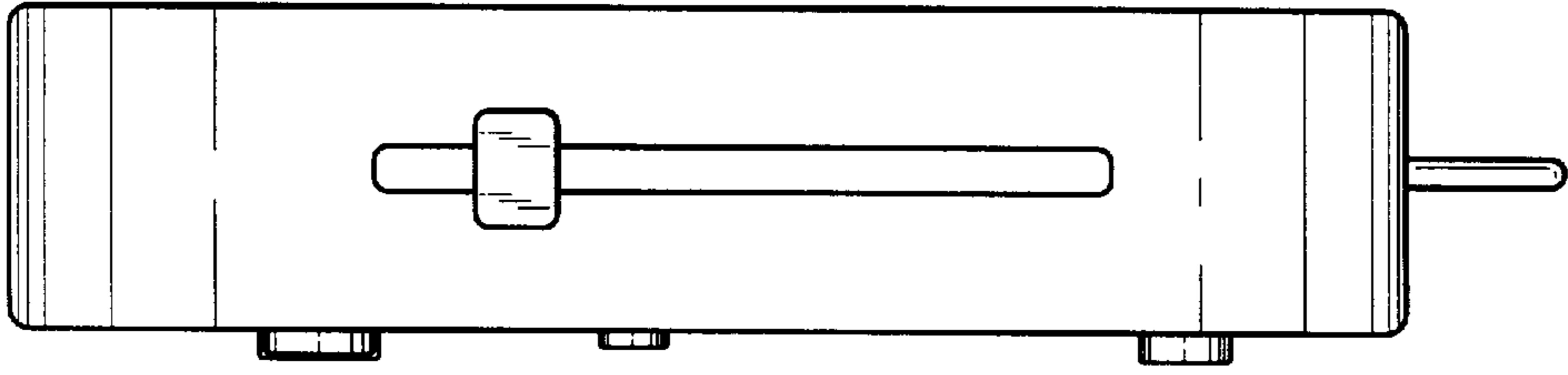


Fig. 5

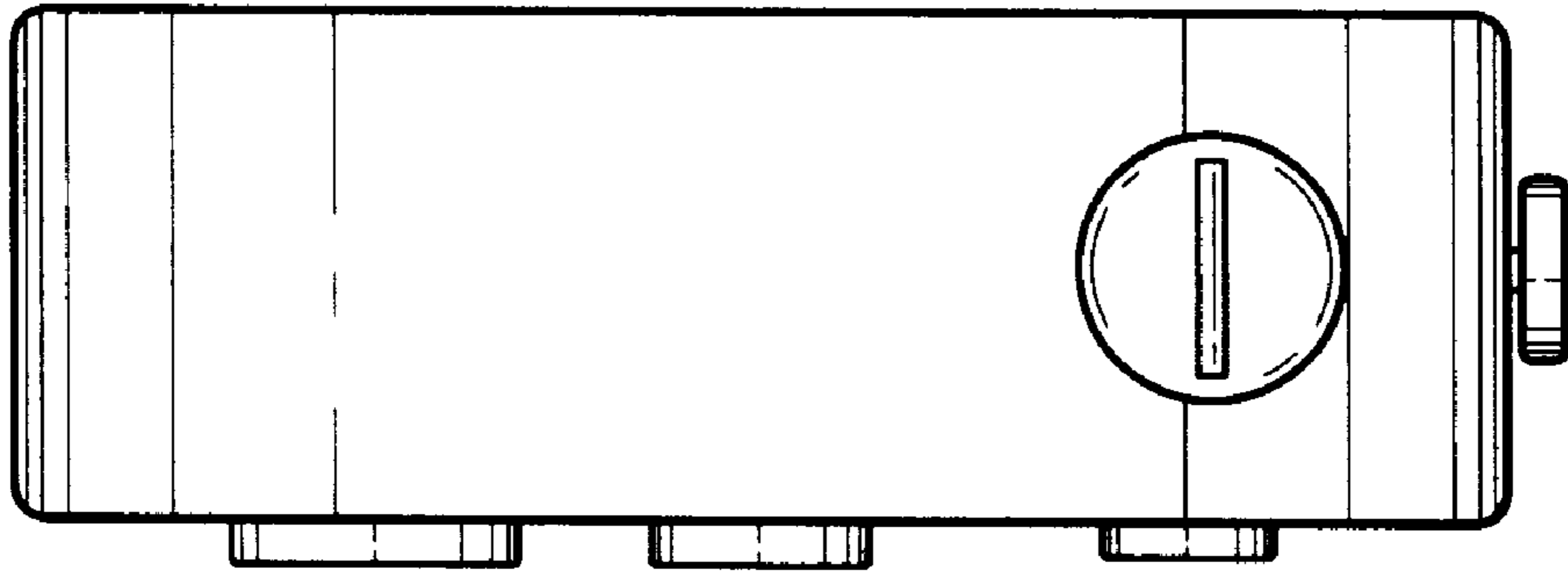


Fig. 6

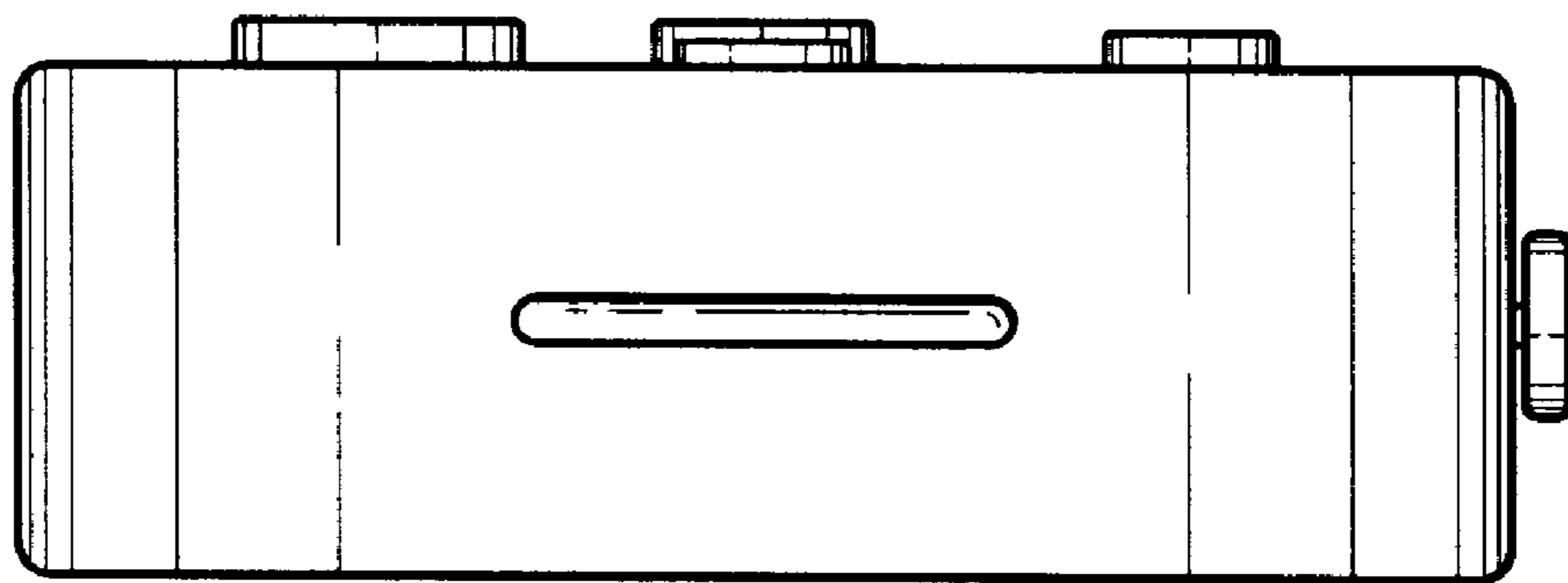


Fig. 7