



US00D436877S

(12) **United States Design Patent**
Brennan

(10) **Patent No.:** **US D436,877 S**

(45) **Date of Patent:** **** Jan. 30, 2001**

(54) **CAR GARAGE DOOR OPENER**

D. 391,507 * 3/1998 Doppelt et al. D10/104
D. 406,779 * 3/1999 Pinardi et al. D10/104

(76) Inventor: **Mark Brennan**, 1326 Crestview Dr.,
Shelby, NC (US) 28150

* cited by examiner

Primary Examiner—Marcus A. Jackson
(74) *Attorney, Agent, or Firm*—Dykema Gossett PLLC

(**) Term: **14 Years**

(57) **CLAIM**

(21) Appl. No.: **29/118,101**

The ornamental design for a car garage door opener, as shown and described.

(22) Filed: **Feb. 4, 2000**

DESCRIPTION

(51) **LOC (7) Cl.** **10-05**

(52) **U.S. Cl.** **D10/104**

(58) **Field of Search** D10/104, 106,
D10/116, 121; D14/218; 340/540, 541,
545, 571, 572, 573

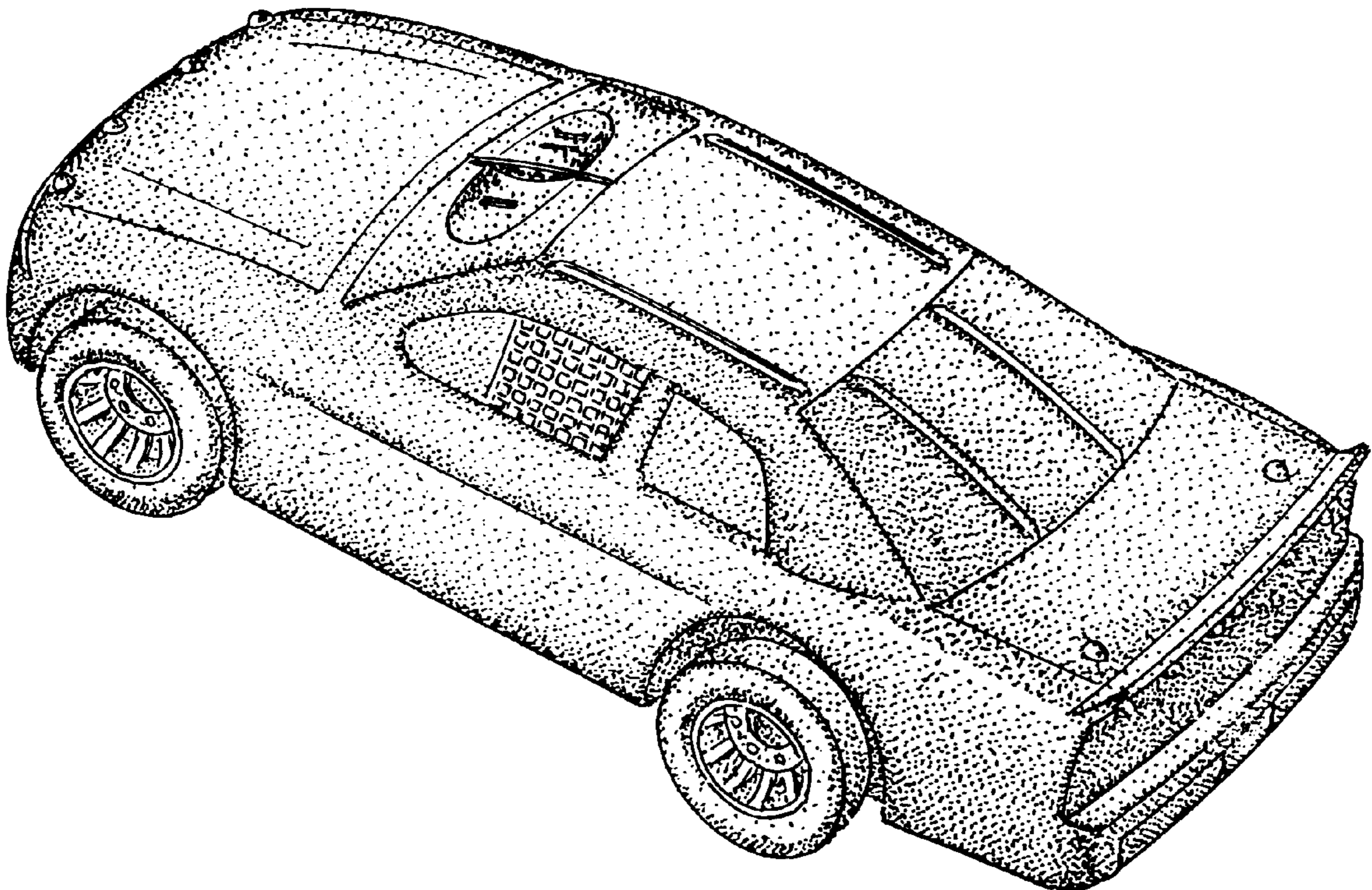
FIG. 1 is a top perspective view of a car garage door opener in accordance with my new and ornamental design, FIG. 2 is a left side elevational view thereof, FIG. 3 is a top plan view thereof, FIG. 4 is a right side elevational view thereof, FIG. 5 is a front elevational view thereof, FIG. 6 is a rear elevational view thereof; and, FIG. 7 is a bottom plan view thereof.

(56) **References Cited**

U.S. PATENT DOCUMENTS

D. 351,353 * 10/1994 Brudes, Jr. D10/104

1 Claim, 3 Drawing Sheets



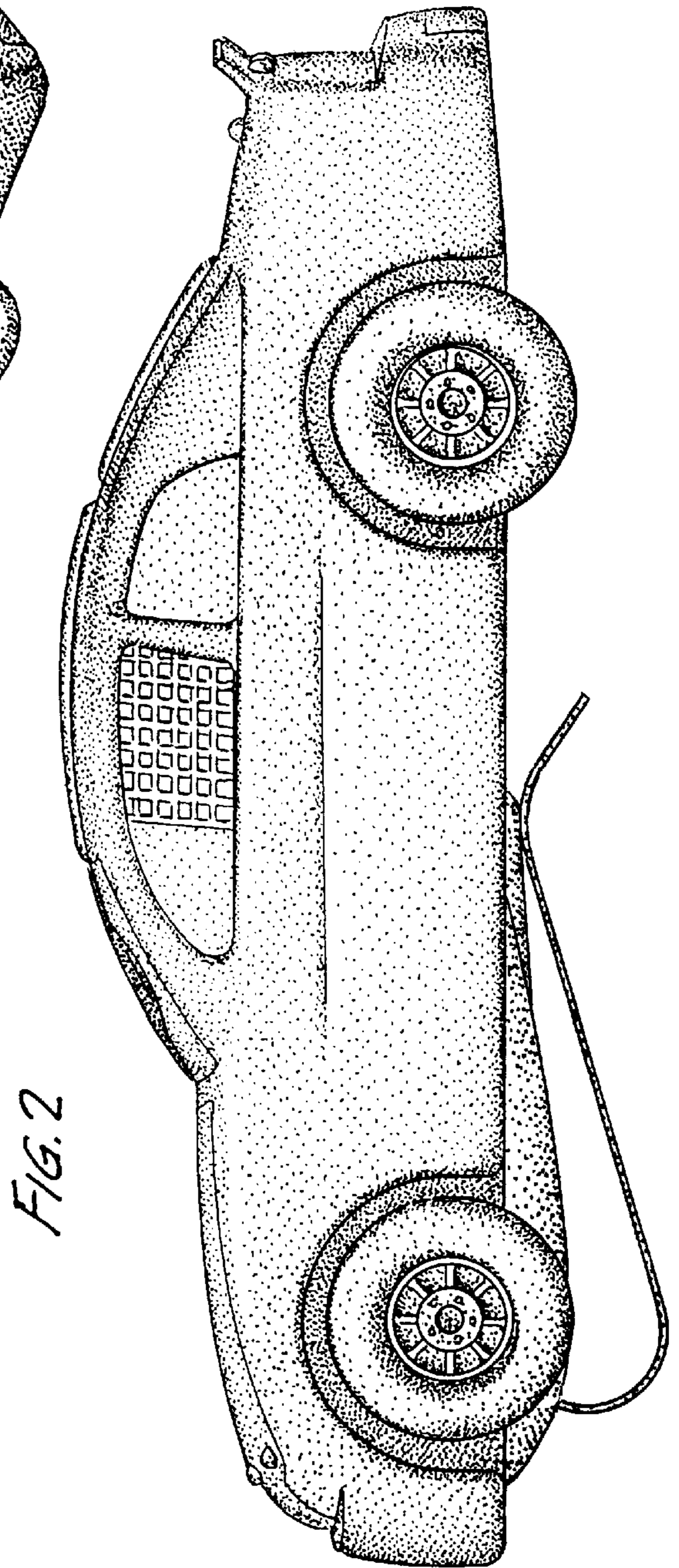
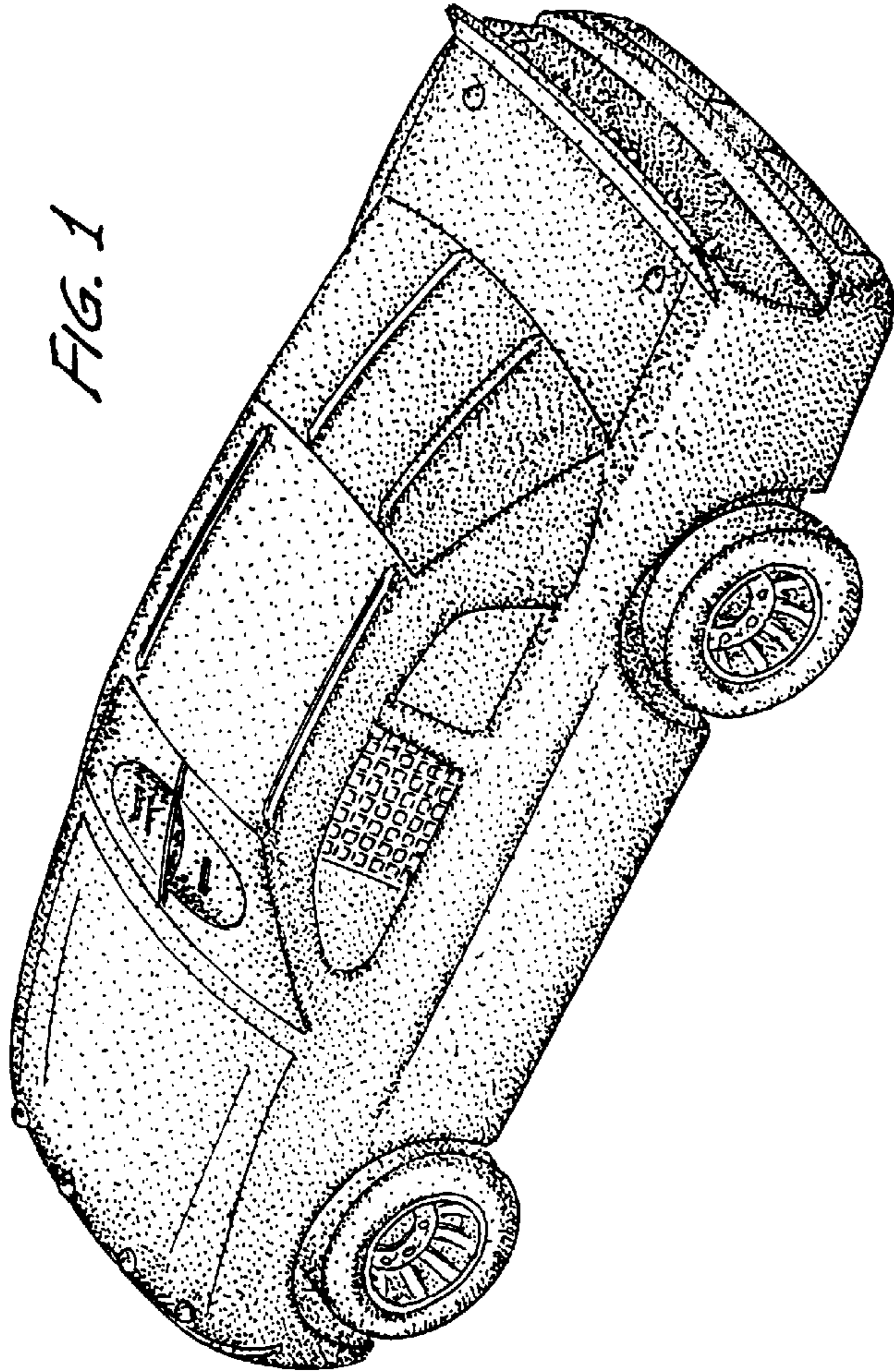


FIG. 3

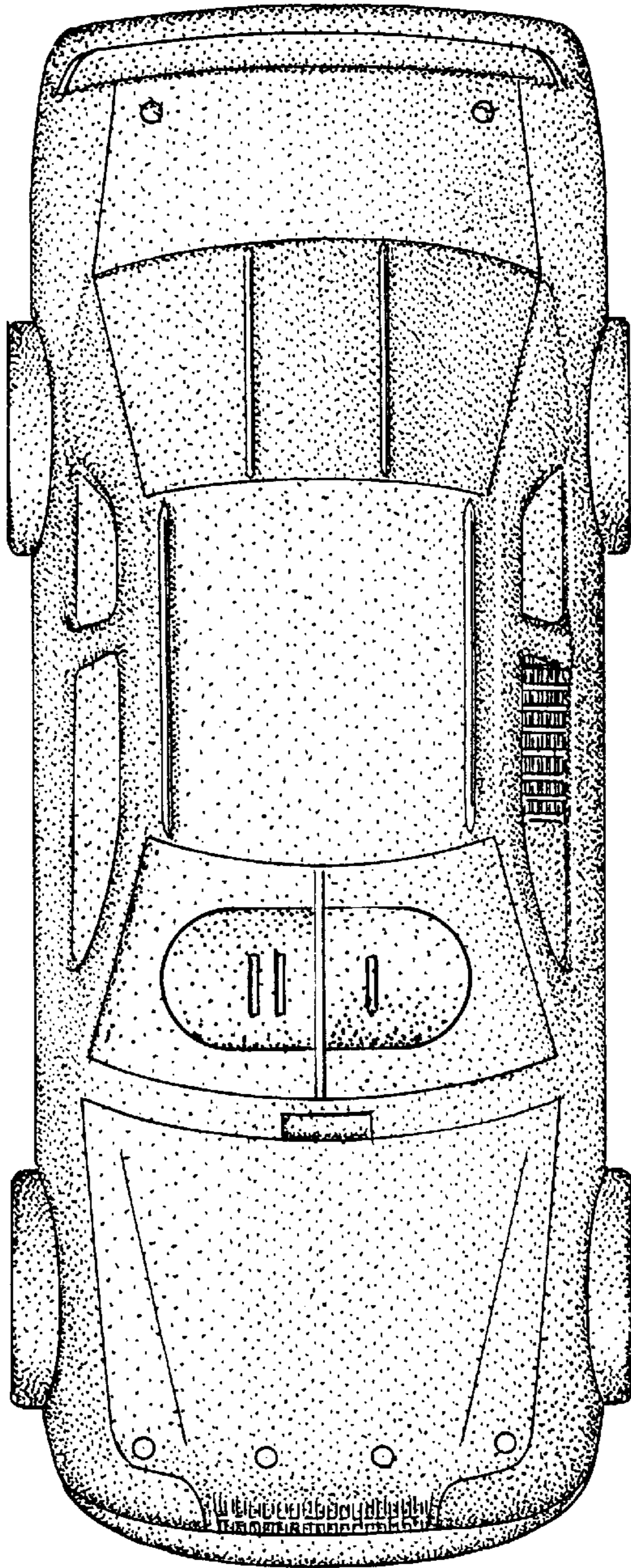


FIG. 4

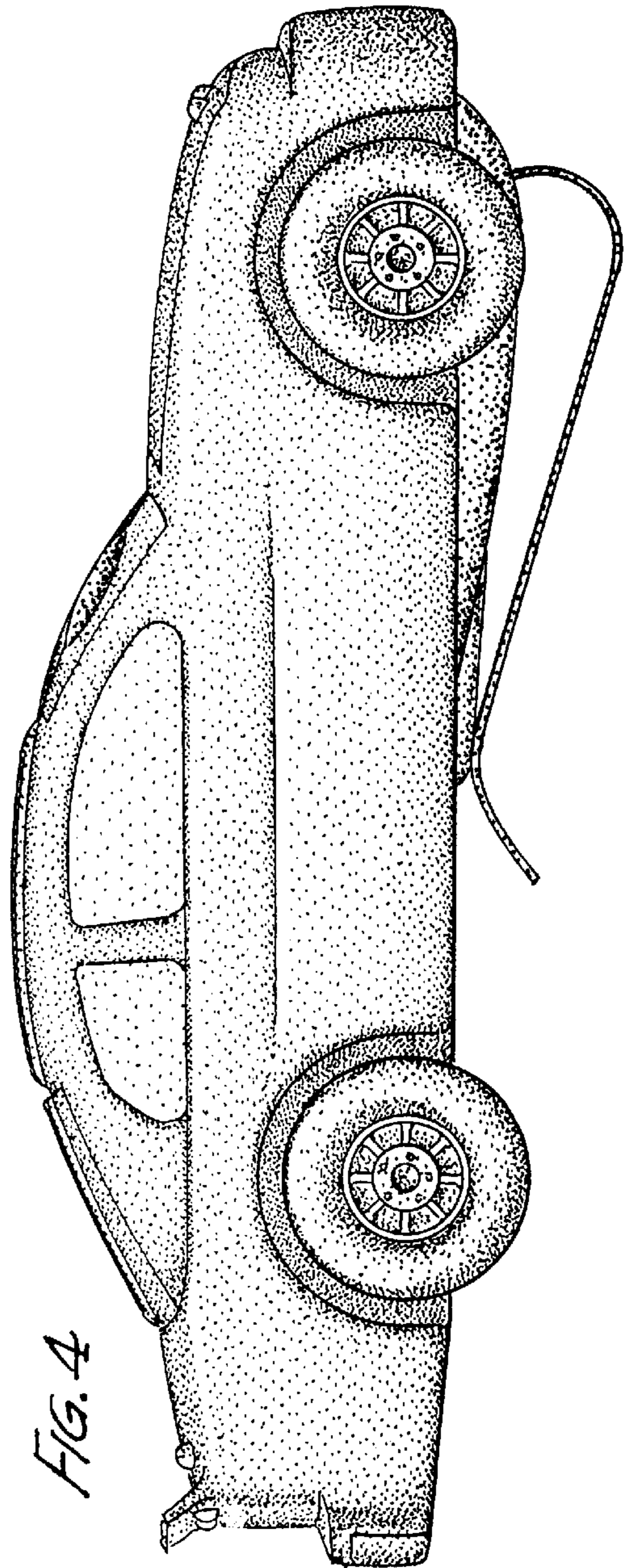


FIG. 6

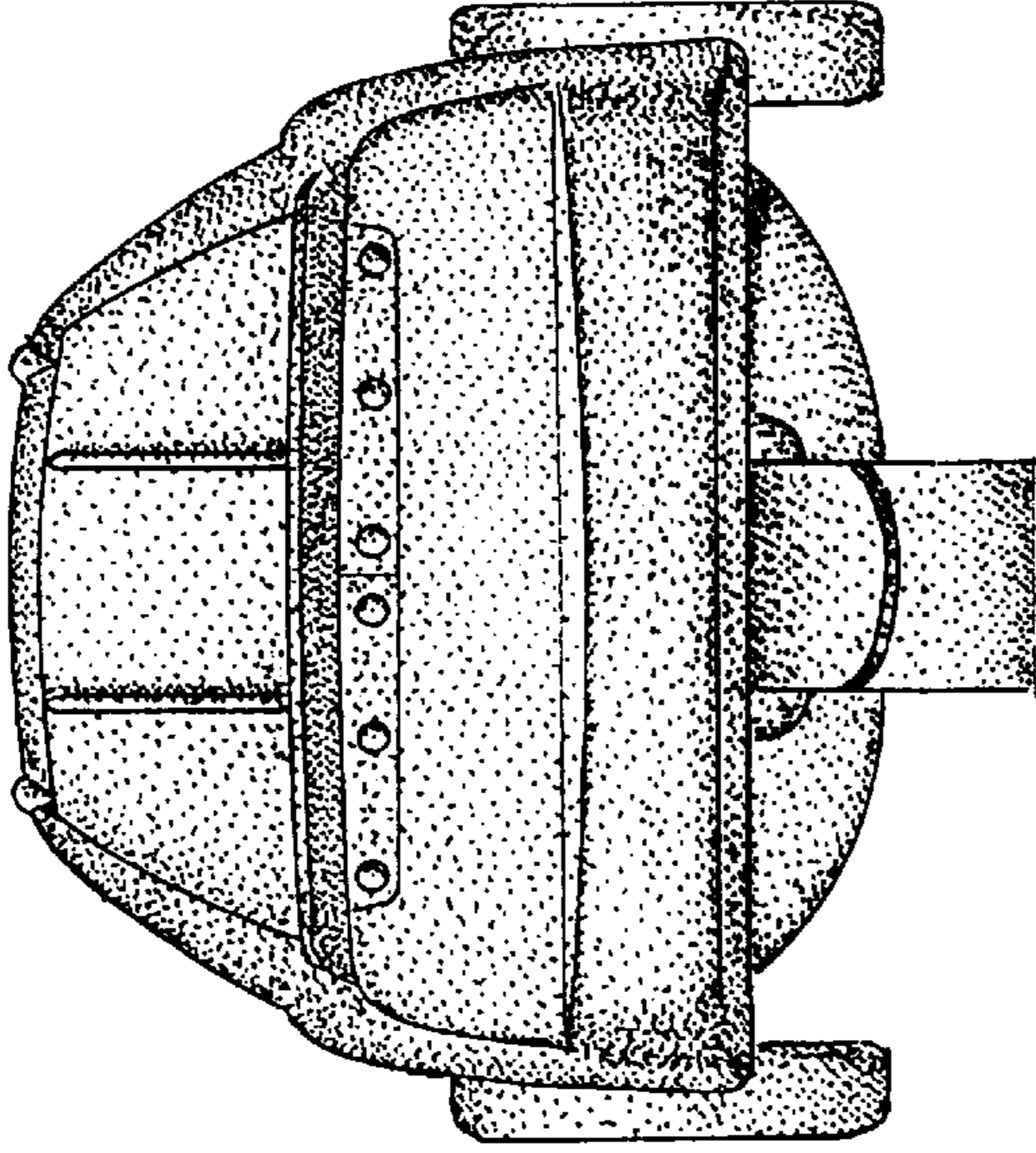


FIG. 5

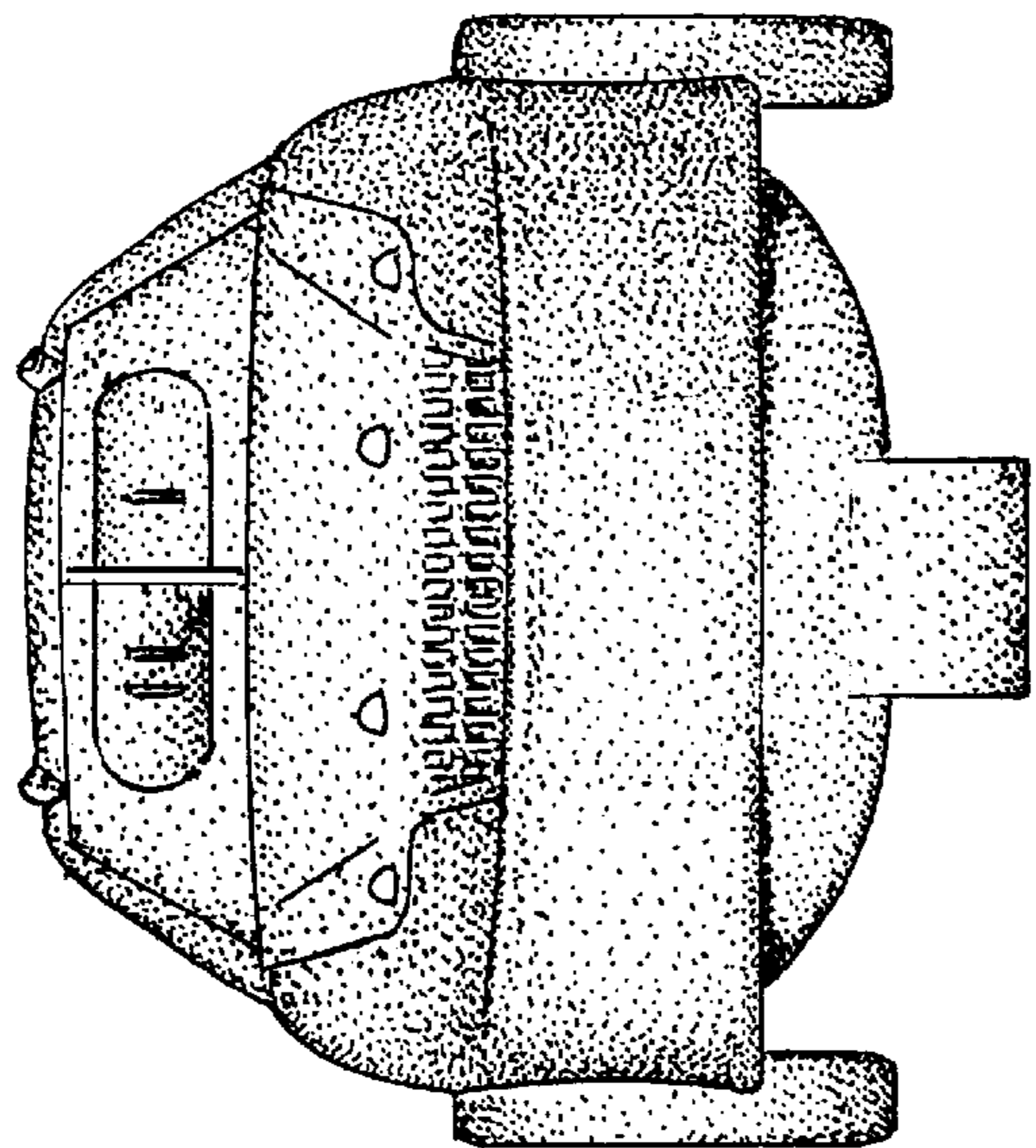


FIG. 7

