



US00D436876S

(12) **United States Design Patent**
Barger et al.

(10) **Patent No.:** **US D436,876 S**

(45) **Date of Patent:** **** Jan. 30, 2001**

(54) **MASS FLOW CONTROLLER**

(75) Inventors: **Michael J. Barger**, Souderton; **Joseph C. Dille**, Telford; **Abe Liebson**, New Hope; **Jeffrey L. Whiteley**, Quakertown; **Timothy W. Scott**, Lansdale, all of PA (US)

(73) Assignee: **Micro Motion, Inc.**, Boulder, CO (US)

(**) Term: **14 Years**

(21) Appl. No.: **29/113,227**

(22) Filed: **Nov. 1, 1999**

(51) **LOC (7) Cl.** **10-04**

(52) **U.S. Cl.** **D10/96**

(58) **Field of Search** D10/96; 73/861.355,
73/861.356, 861.357

(56) **References Cited**

U.S. PATENT DOCUMENTS

D. 344,465 * 2/1994 Brew et al. D10/96 X

* cited by examiner

Primary Examiner—Antoine Duval Davis

(74) *Attorney, Agent, or Firm*—Howrey Simon Arnold & White, LLP

(57) **CLAIM**

The ornamental design for a mass flow controller, as shown and described.

DESCRIPTION

FIG. 1 is a front perspective view of the mass flow controller of the present invention;

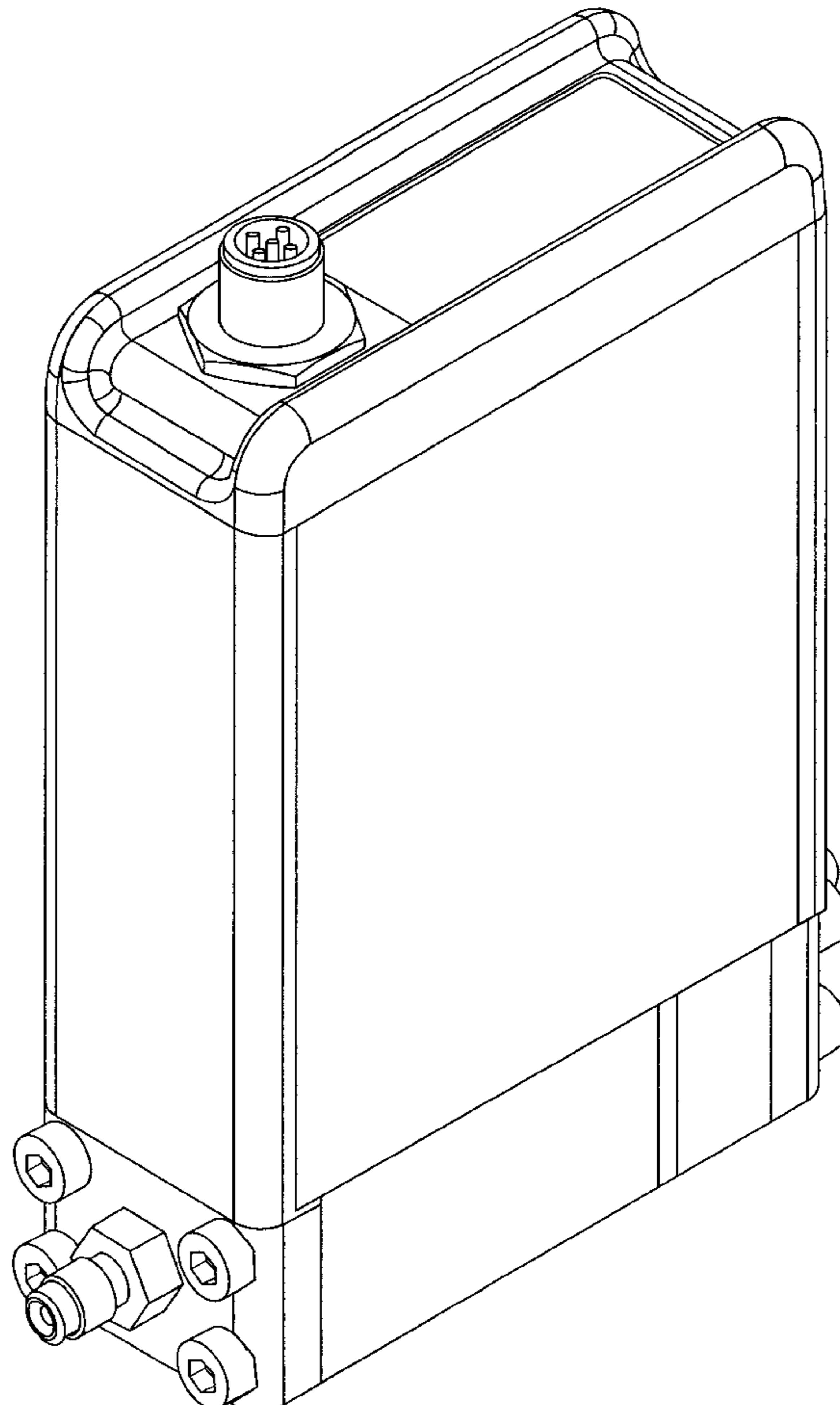
FIG. 2 is a front elevation view (the rear elevation is symmetrical);

FIG. 3 is a side elevation view (the opposite side elevation is symmetrical);

FIG. 4 is a top plan view; and,

FIG. 5 is a bottom plan view.

1 Claim, 4 Drawing Sheets



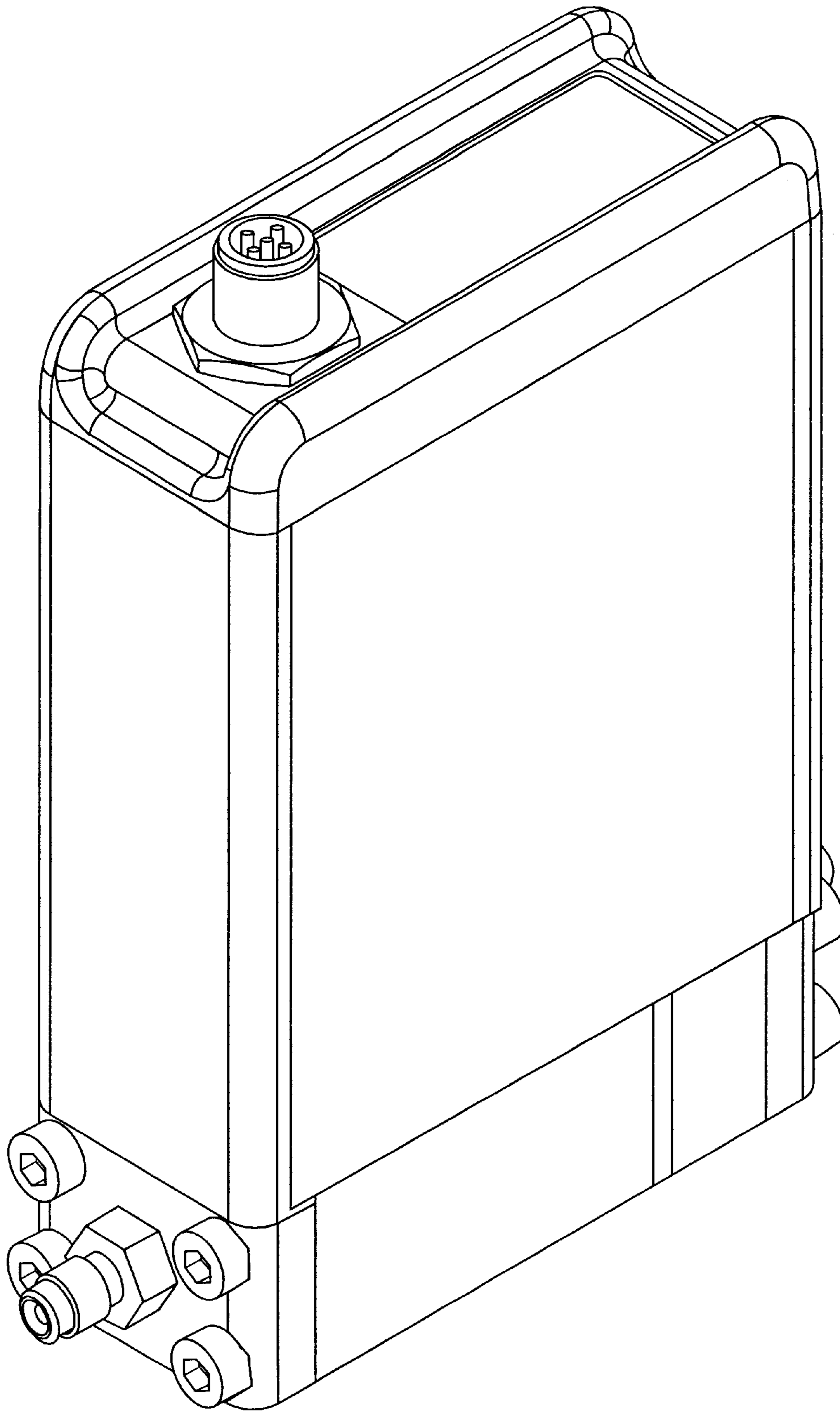


FIG. 1

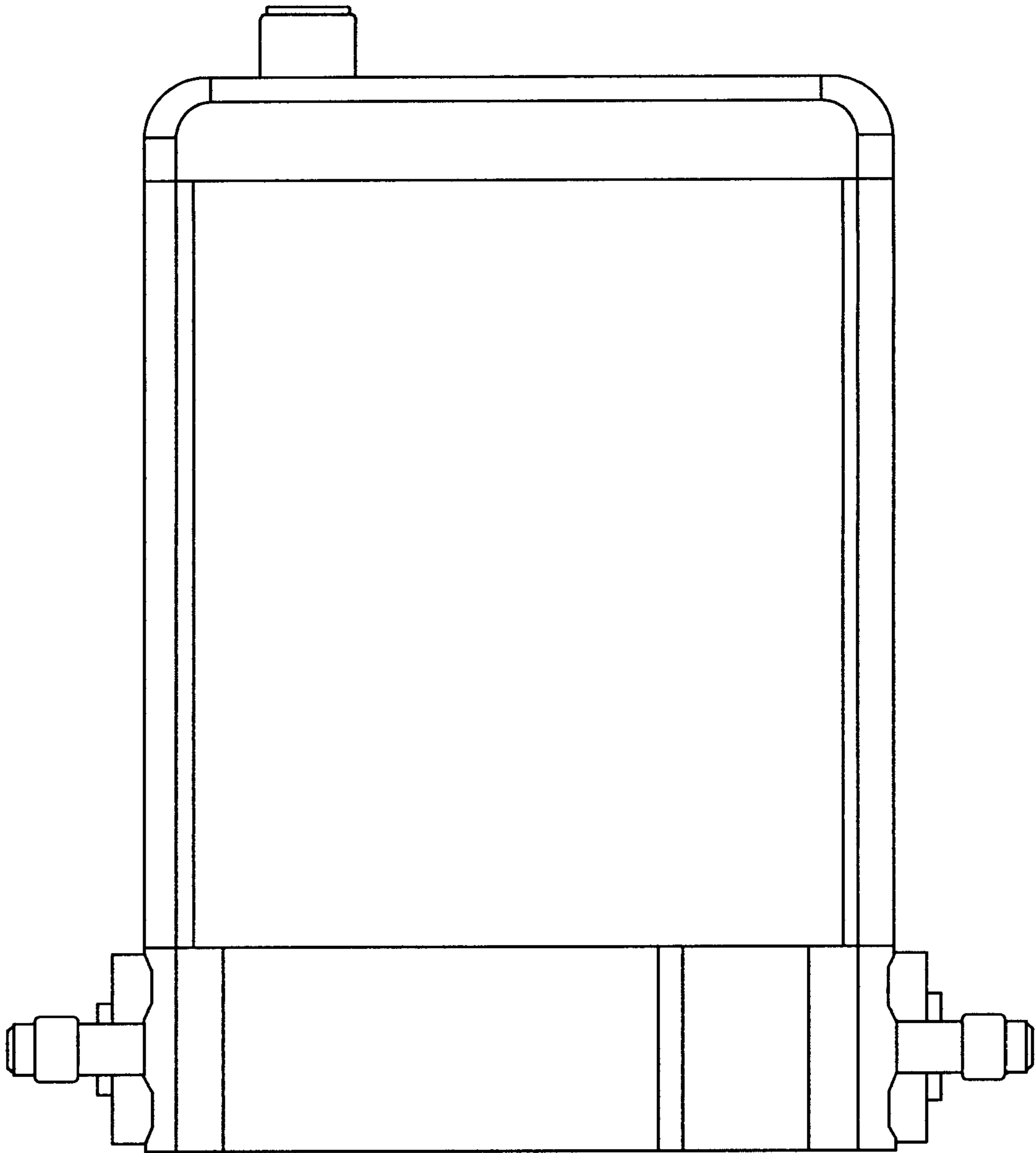


FIG. 2

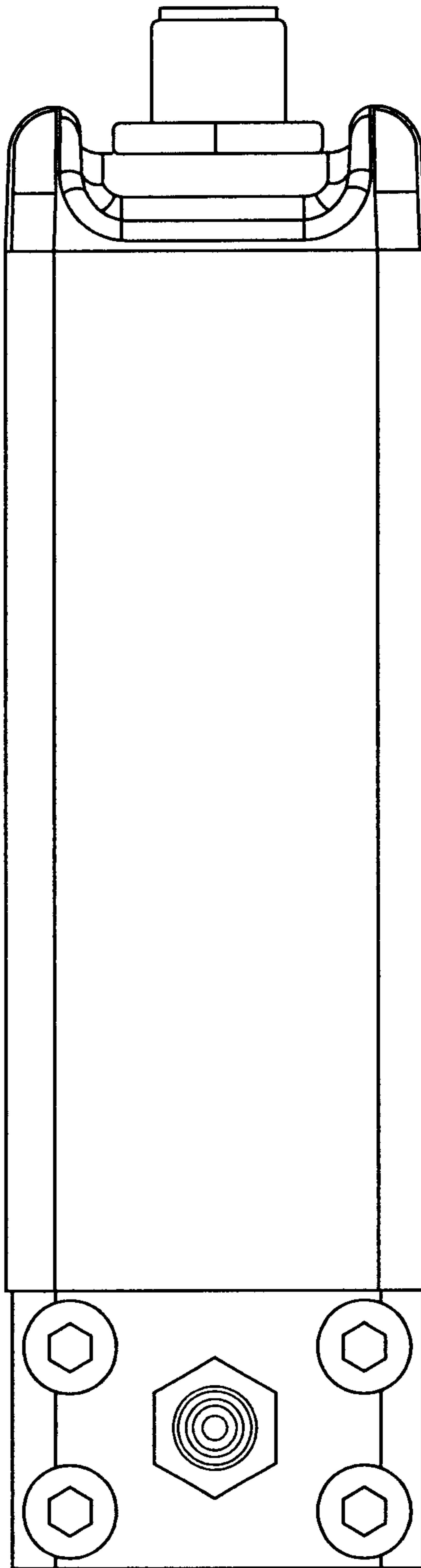


FIG. 3

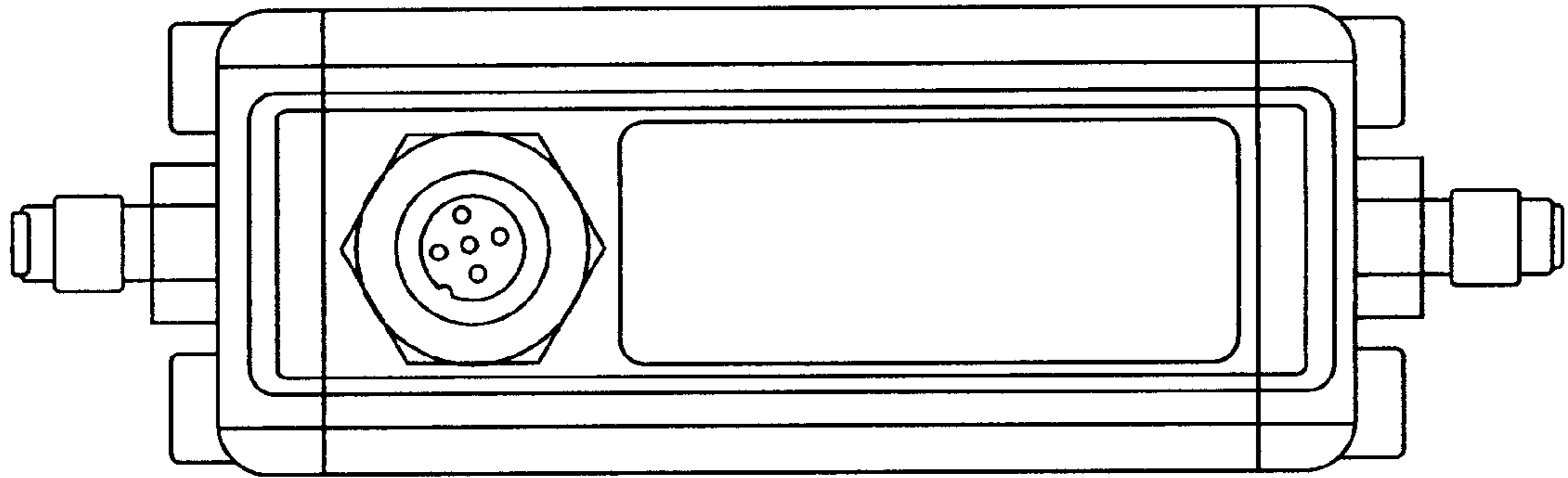


FIG. 4

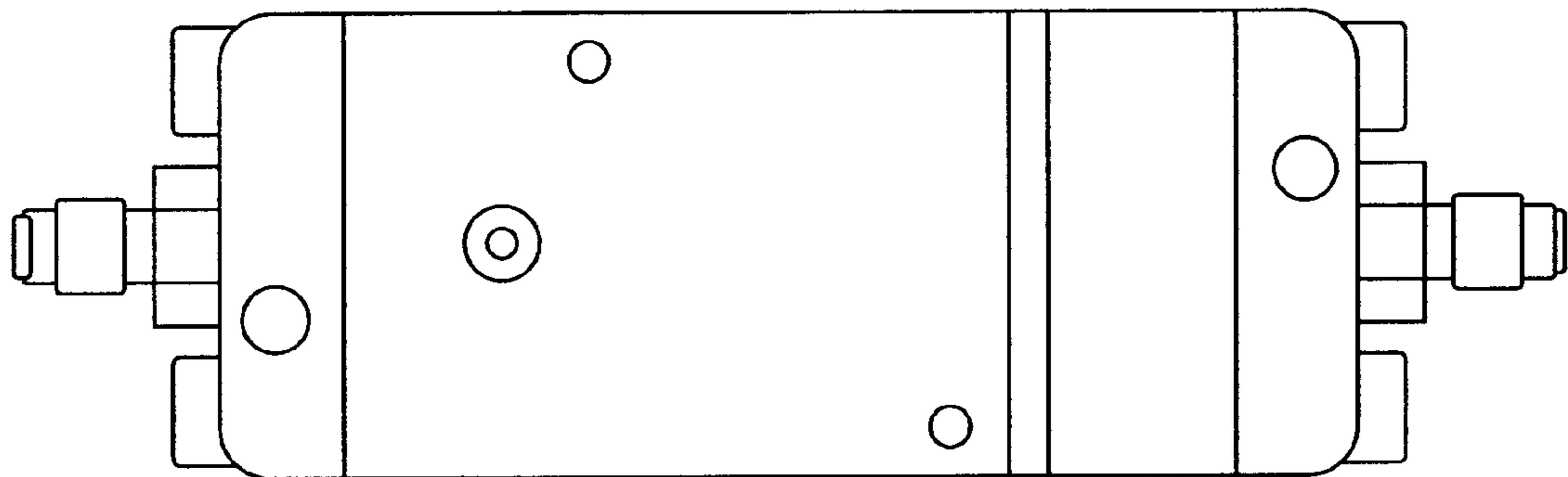


FIG. 5