



US00D436874S

(12) **United States Design Patent**  
**Marcus**

(10) **Patent No.:** **US D436,874 S**

(45) **Date of Patent:** **\*\* Jan. 30, 2001**

(54) **DUROMETER**

(75) Inventor: **John Marcus**, Los Angeles, CA (US)

(73) Assignee: **Pacific Transducer Corp.**, Los Angeles, CA (US)

(\*\*) Term: **14 Years**

(21) Appl. No.: **29/107,755**

(22) Filed: **Jul. 13, 1999**

(51) **LOC (7) Cl.** ..... **10-04**

(52) **U.S. Cl.** ..... **D10/85**

(58) **Field of Search** ..... D10/83, 84, 85,  
D10/86; 73/81-85

(56) **References Cited**

**U.S. PATENT DOCUMENTS**

D. 103,883 \* 3/1937 Van Vleck ..... D10/85  
5,760,312 \* 6/1998 MacKay et al. .... 73/81

\* cited by examiner

*Primary Examiner*—Antoine Duval Davis

(74) *Attorney, Agent, or Firm*—Blakely, Sokoloff, Taylor & Zafman LLP

(57) **CLAIM**

The ornamental design for a durometer, as shown and described.

**DESCRIPTION**

FIG. 1 is a top, front and right side perspective view of the durometer, showing an analog gauge in phantom.

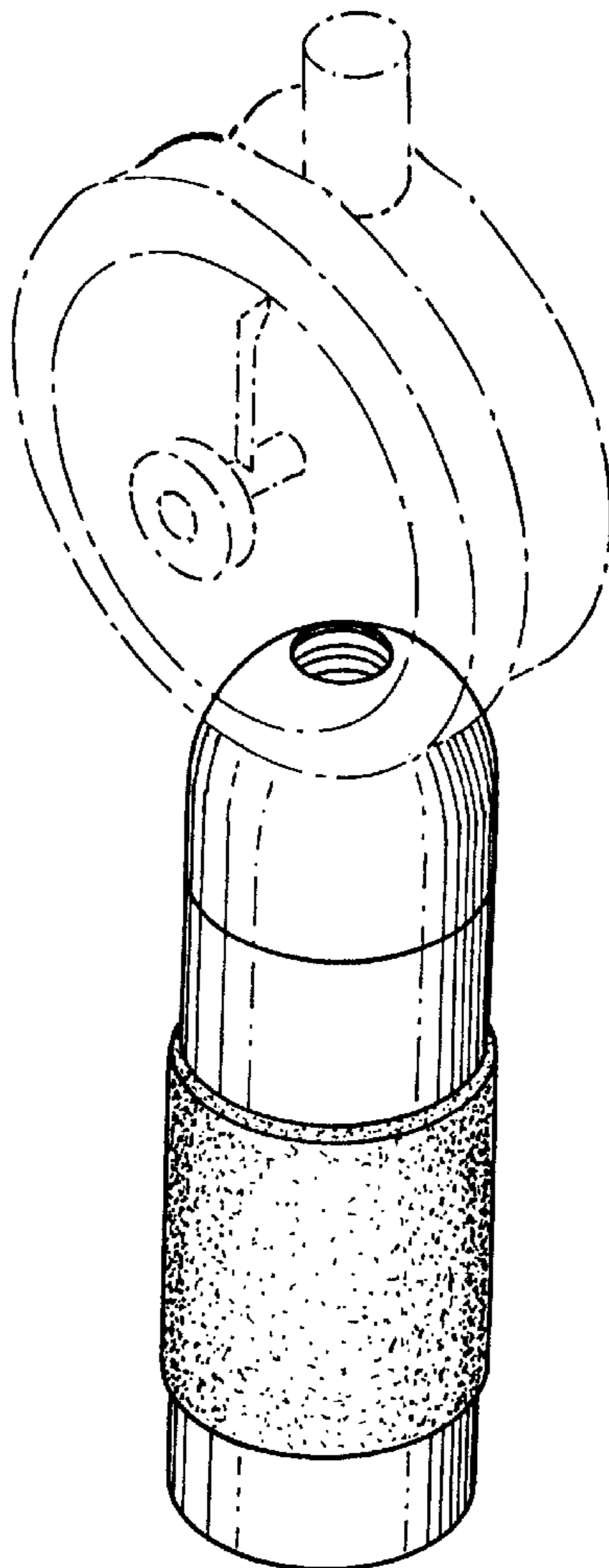
FIG. 2 is a top, front and left side perspective view of the durometer, showing a digital gauge in phantom.

FIG. 3 is a side elevational (symmetrical) view of the durometer.

FIG. 4 is a top plan view of the durometer; and,

FIG. 5 is a bottom plan view of the durometer.

**1 Claim, 2 Drawing Sheets**



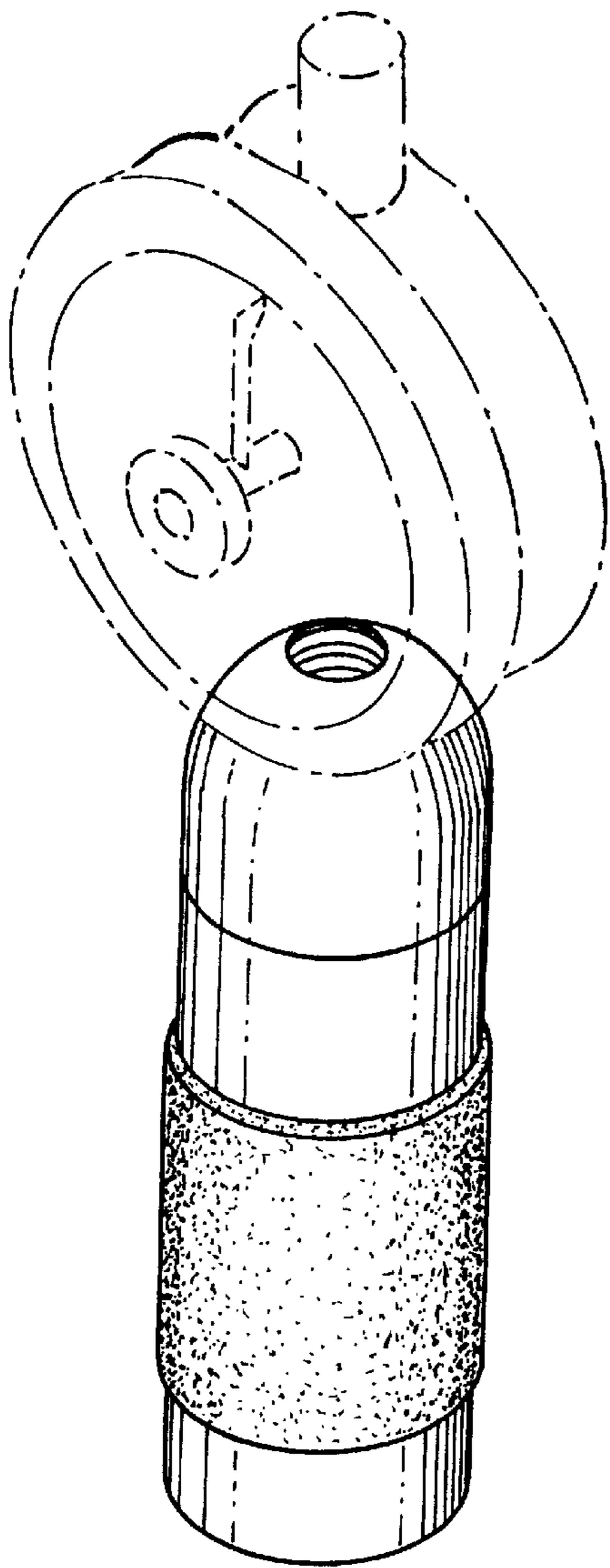


FIG. 1

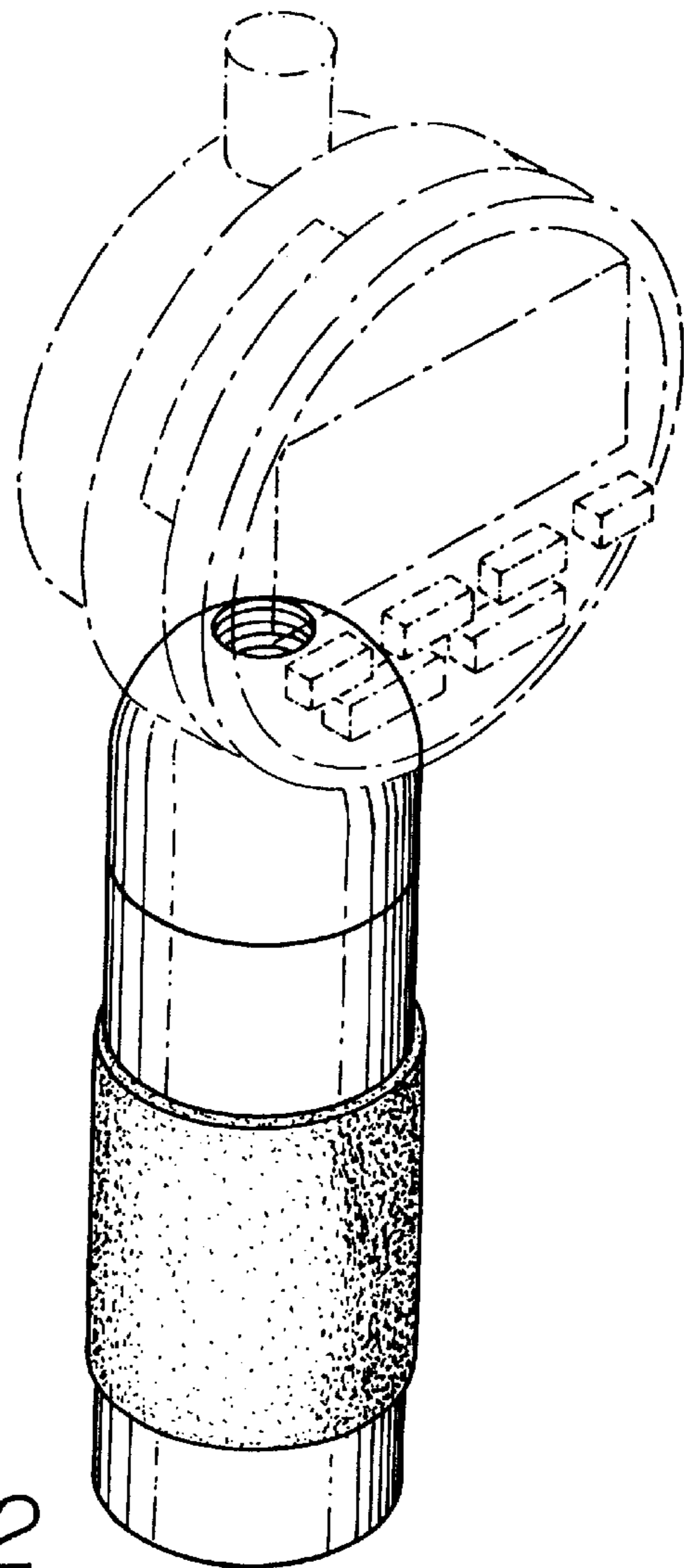


FIG. 2

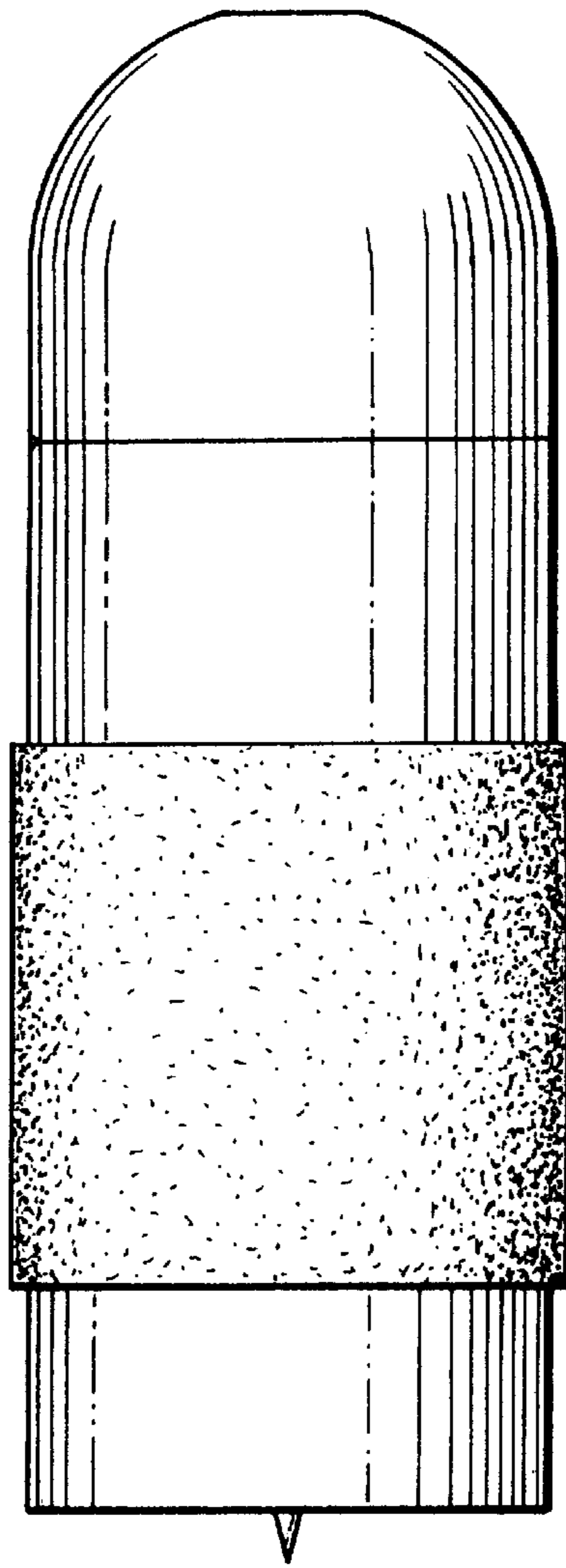


FIG. 3

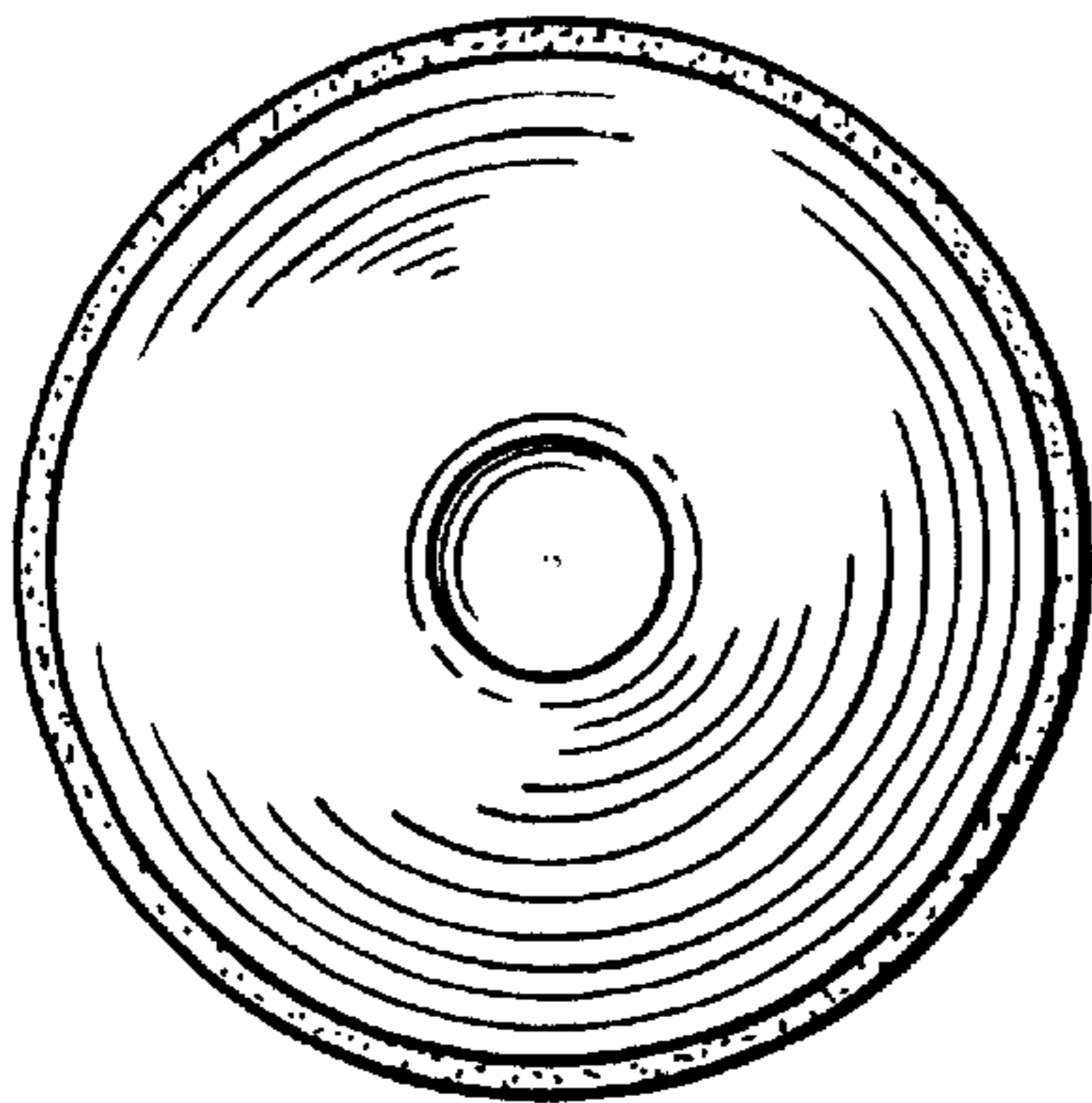


FIG. 4

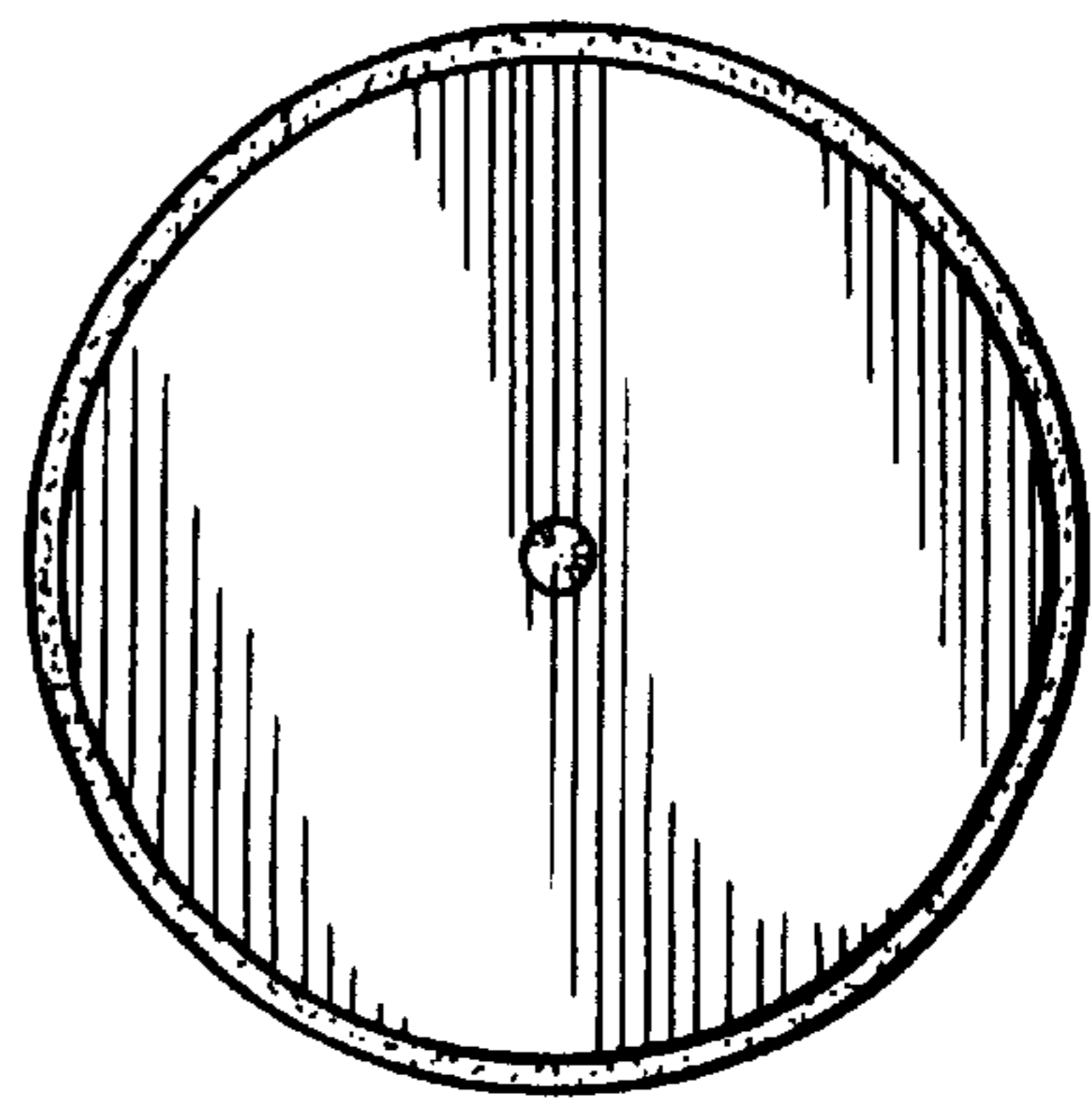


FIG. 5