



US00D436871S

(12) **United States Design Patent**
Hosey

(10) **Patent No.:** **US D436,871 S**

(45) **Date of Patent:** **** Jan. 30, 2001**

(54) **CONNECTOR WITH INSTRUMENTS**

(76) Inventor: **Michael J. Hosey**, P.O. Box 890,
Skyland, NC (US) 28776

(*) Notice: This patent is subject to a terminal disclaimer.

(**) Term: **14 Years**

(21) Appl. No.: **29/116,218**

(22) Filed: **Dec. 27, 1999**

(51) **LOC (7) Cl.** **10-04**

(52) **U.S. Cl.** **D10/62**

(58) **Field of Search** D10/61, 62, 68,
D10/74, 2, 31, 37, 40, 56, 60, 103; 205/305,
306, 37.1; 73/334, 431; 33/319, 355 R,
364, 365, 273; 374/141, 208, 209

(56) **References Cited**

U.S. PATENT DOCUMENTS

- D. 308,468 * 6/1990 Idea D10/68
- D. 319,347 * 8/1991 Van Landingham, Jr. et al. ... D10/72
X
- D. 349,054 * 7/1994 Cross et al. .
- D. 364,101 * 11/1995 Bradley D10/40
- D. 377,913 * 2/1997 Cross .
- D. 408,306 * 4/1999 Cross .
- 4,335,521 * 6/1982 Rutherford 206/306
- 5,762,241 * 6/1998 Cross .

OTHER PUBLICATIONS

Magazine titled "APopular Product Line for All Seasons" by Sun Company, 1998.*

* cited by examiner

Primary Examiner—Antoine Duval Davis
(74) *Attorney, Agent, or Firm*—Carter & Schnedler

(57) **CLAIM**

The ornamental design for a connector with instruments, as shown and described.

DESCRIPTION

FIG. 1 is an isometric view showing one side of a first embodiment of my new design where the instrument on one side is a compass and the instrument on the other side may either be a thermometer or a clock;

FIG. 2 is an isometric view showing one side of a second embodiment of my new design where the instrument on one side is a thermometer and the instrument on the other side may either be a compass or a clock;

FIG. 3 is an isometric view showing one side of a third embodiment of my new design where the instrument on one side is a clock and the instrument on the other side may either be a compass or a thermometer;

FIG. 4 is a side elevational view of the first, second and third embodiments;

FIG. 5 is a front elevational view of the first, second and third embodiments;

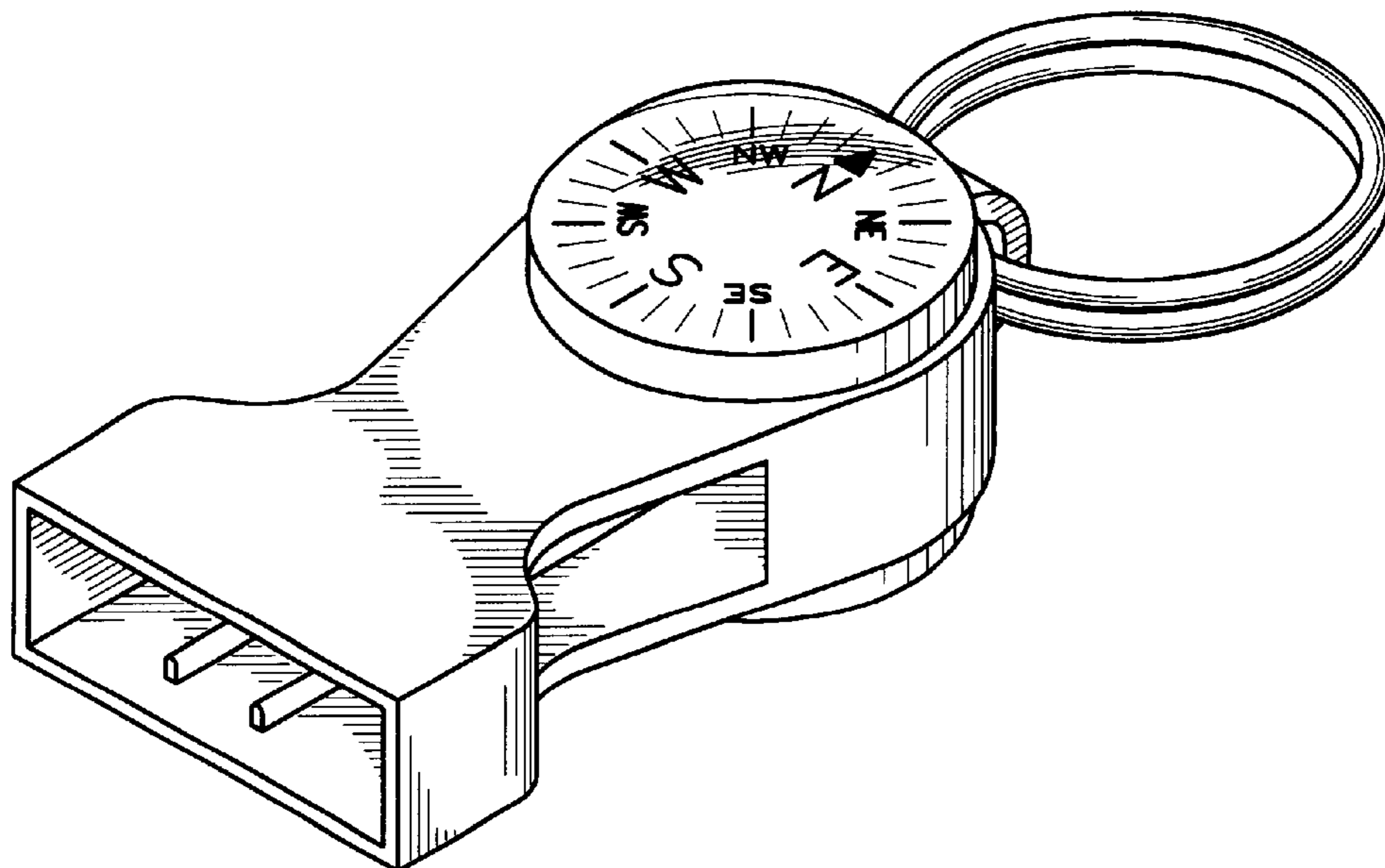
FIG. 6 is a rear elevational view of the first, second and third embodiments;

FIG. 7 is a top plan view of the first embodiment, having a complimentary connector inserted therein shown in phantom, which does not form a part of the invention;

FIG. 8 is a top plan view of the second embodiment; and,

FIG. 9 is a top plan view of the third embodiment.

1 Claim, 2 Drawing Sheets



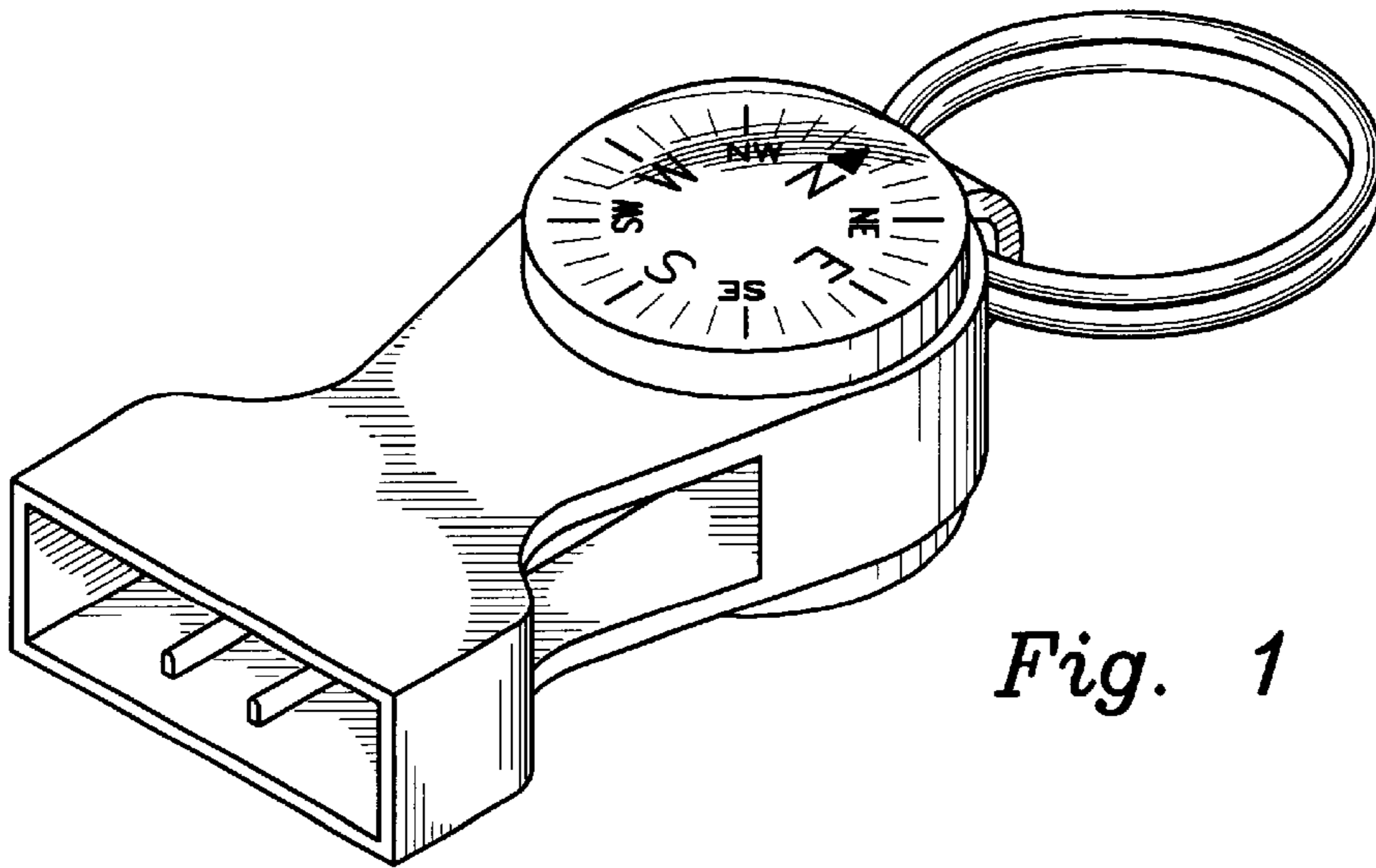


Fig. 1

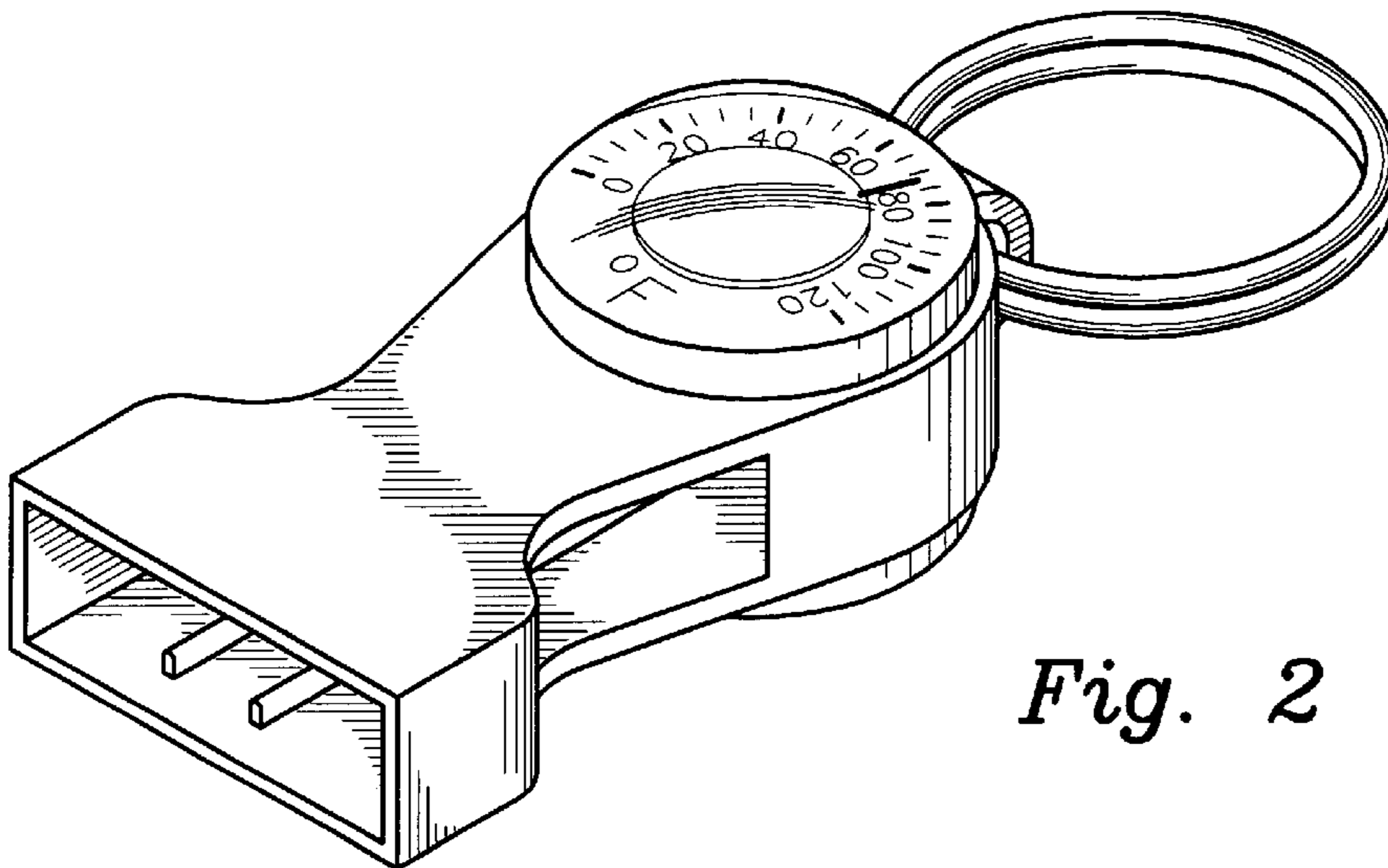


Fig. 2

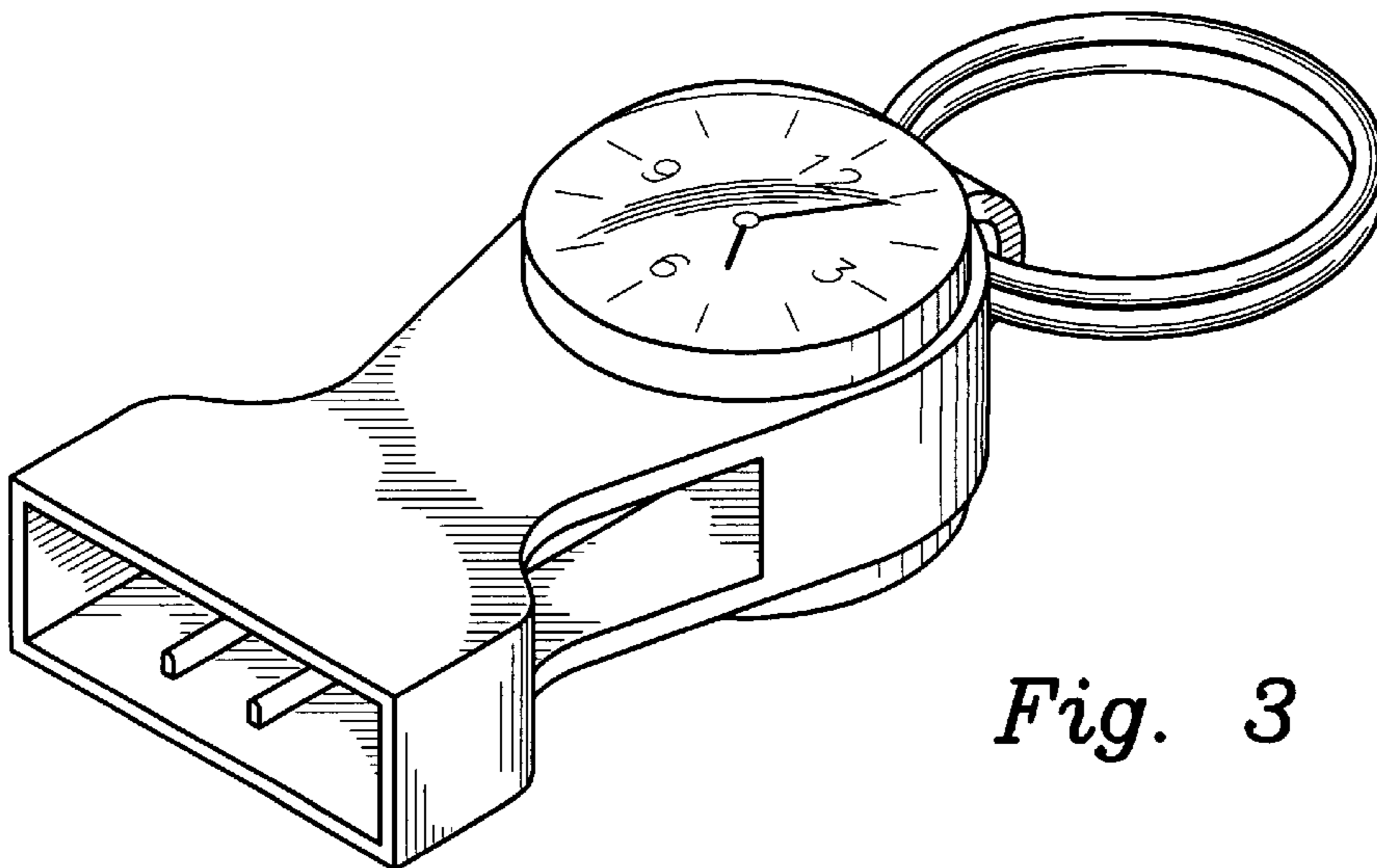


Fig. 3

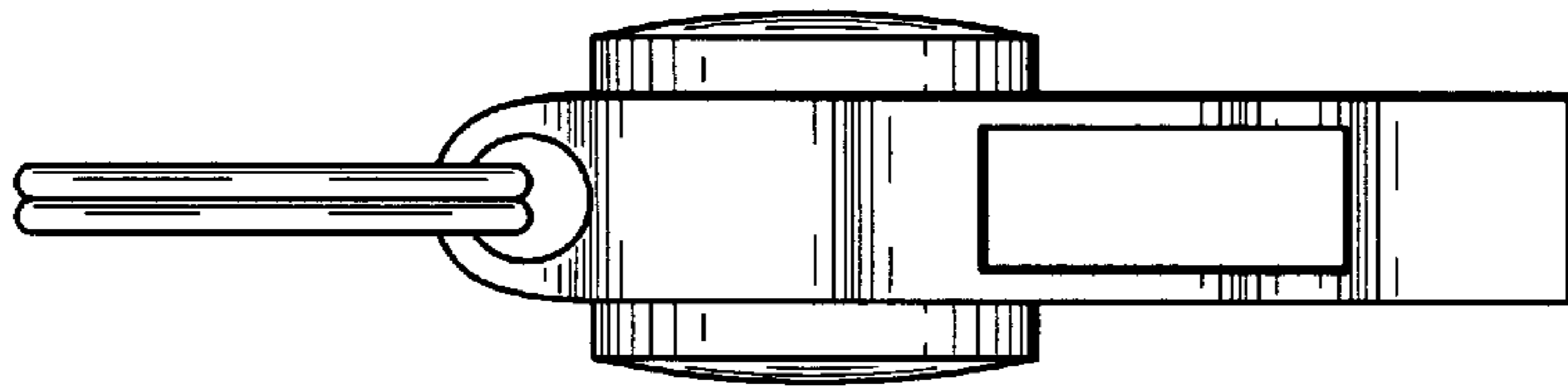


Fig. 4

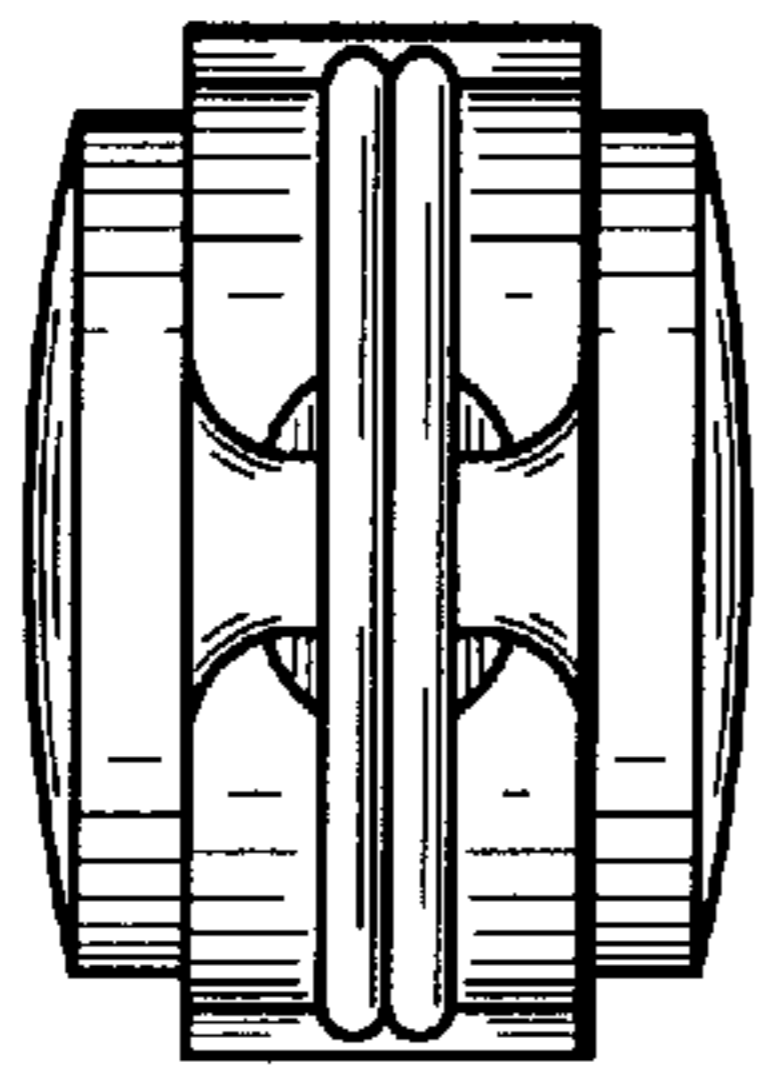


Fig. 5

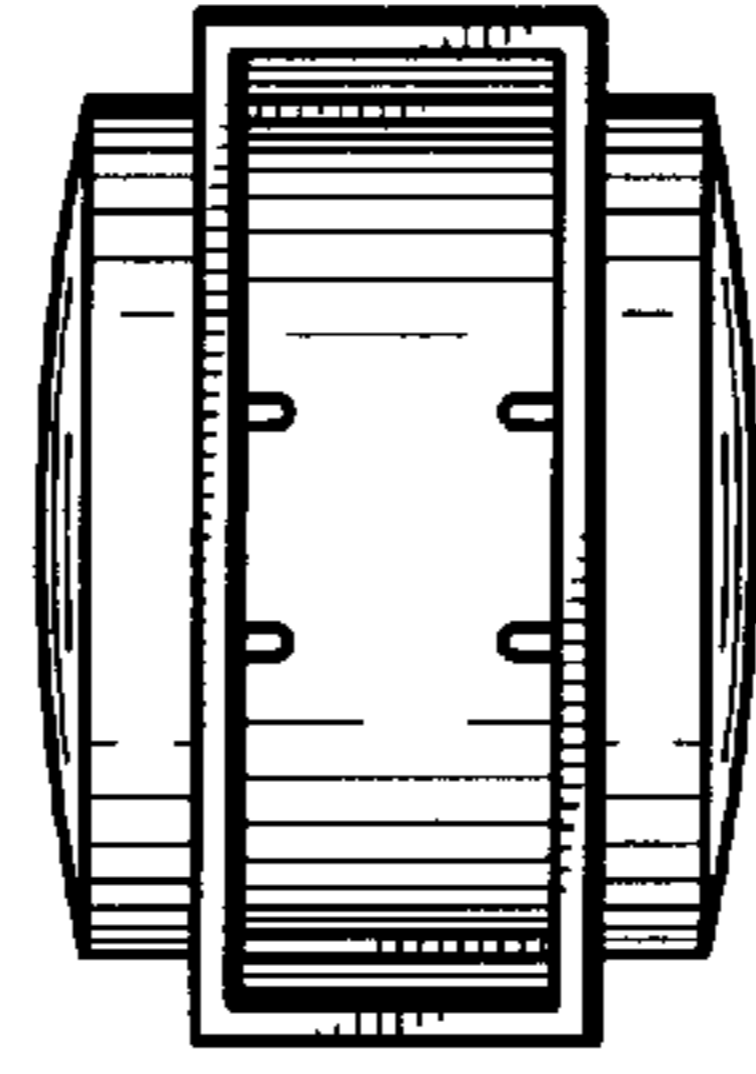


Fig. 6

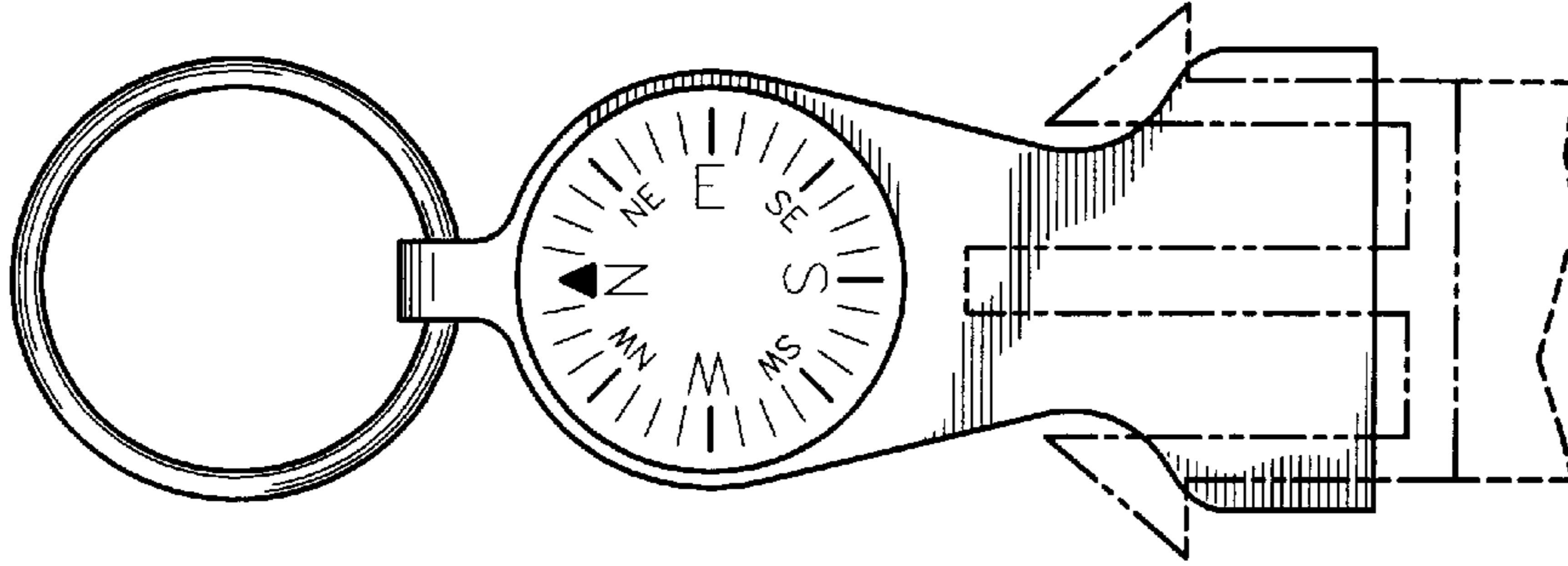


Fig. 7

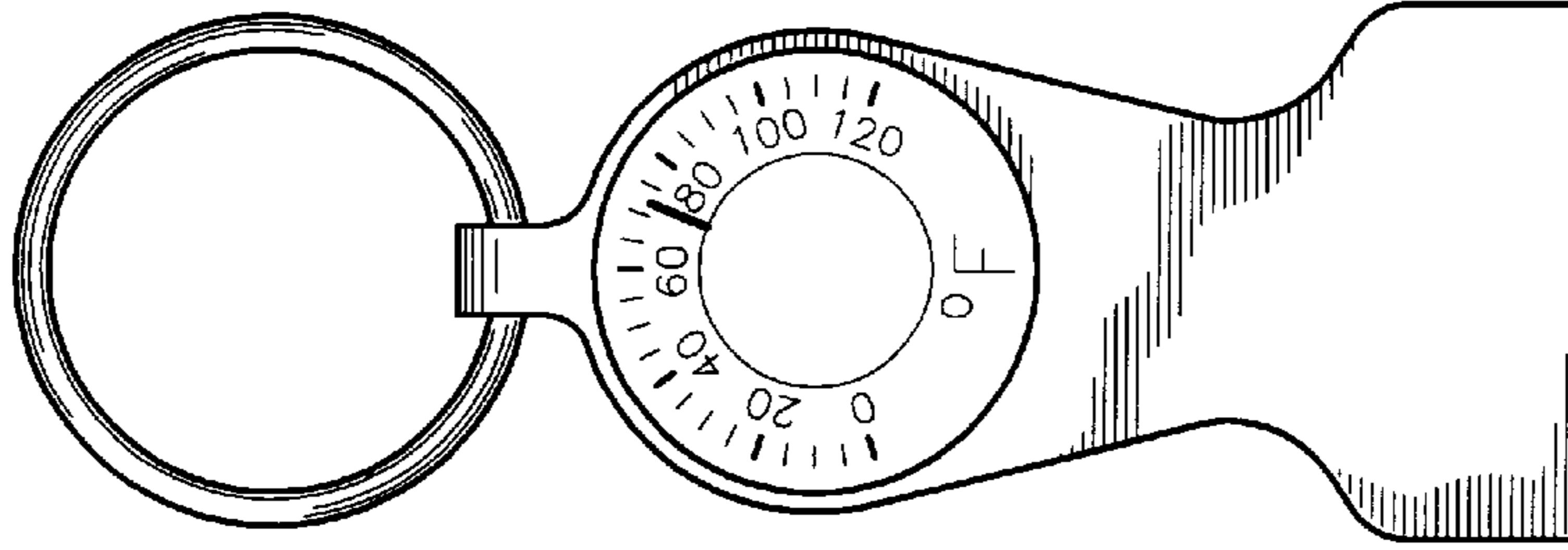


Fig. 8

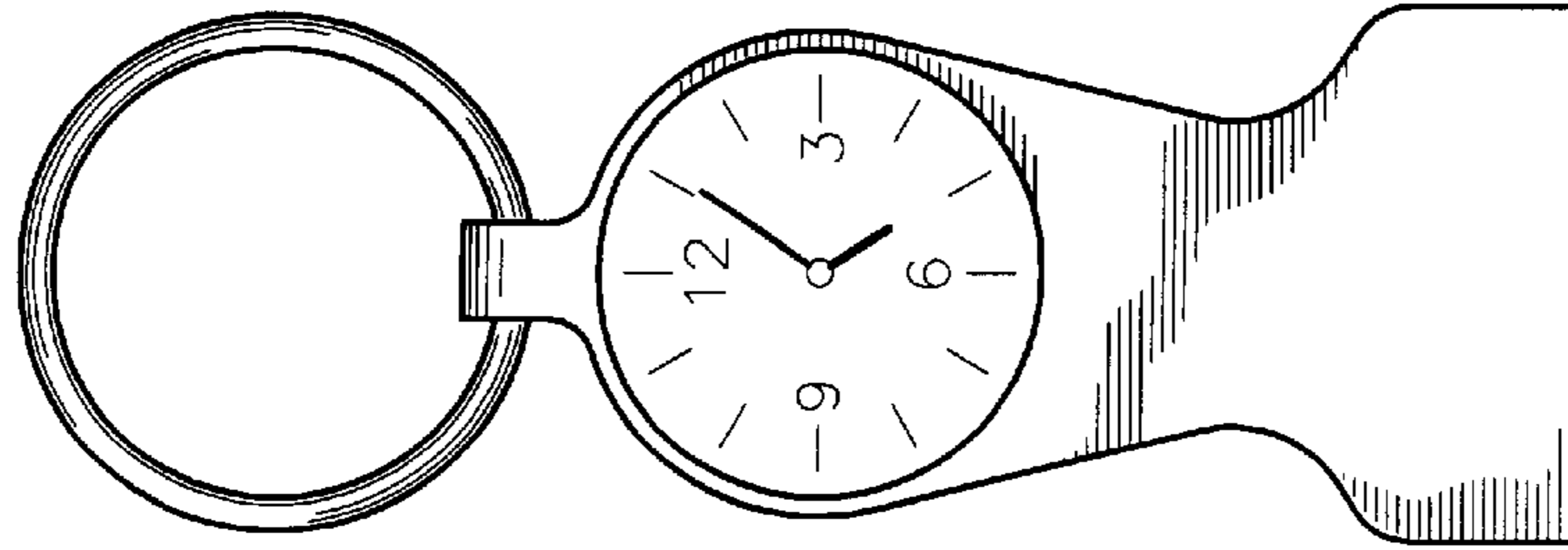


Fig. 9