



US00D436868S

(12) **United States Design Patent**
Chan

(10) **Patent No.:** **US D436,868 S**

(45) **Date of Patent:** **** Jan. 30, 2001**

(54) **CLOCK**

(75) Inventor: **Sik-Leung Chan, Tsuen Wan (CN)**

(73) Assignee: **C. C. & L Company Limited, Hong Kong (CN)**

(**) Term: **14 Years**

(21) Appl. No.: **29/121,463**

(22) Filed: **Apr. 6, 2000**

(51) **LOC (7) Cl.** **10-01**

(52) **U.S. Cl.** **D10/15; D10/18**

(58) **Field of Search** **D10/1-40, 122-132; 368/280-282, 276-277, 28-30, 285, 239-242, 82-84, 41-44**

(56) **References Cited**

U.S. PATENT DOCUMENTS

- D. 337,950 * 8/1993 Davis D10/15
- D. 367,533 * 2/1996 Pinchuk D24/167

- D. 375,692 * 11/1996 Wong D10/18
- D. 375,902 * 11/1996 Wong D10/15
- D. 382,820 * 8/1997 Chan D10/40

* cited by examiner

Primary Examiner—Nelson C. Holtje

(74) *Attorney, Agent, or Firm*—Alix, Yale & Ristas, LLP

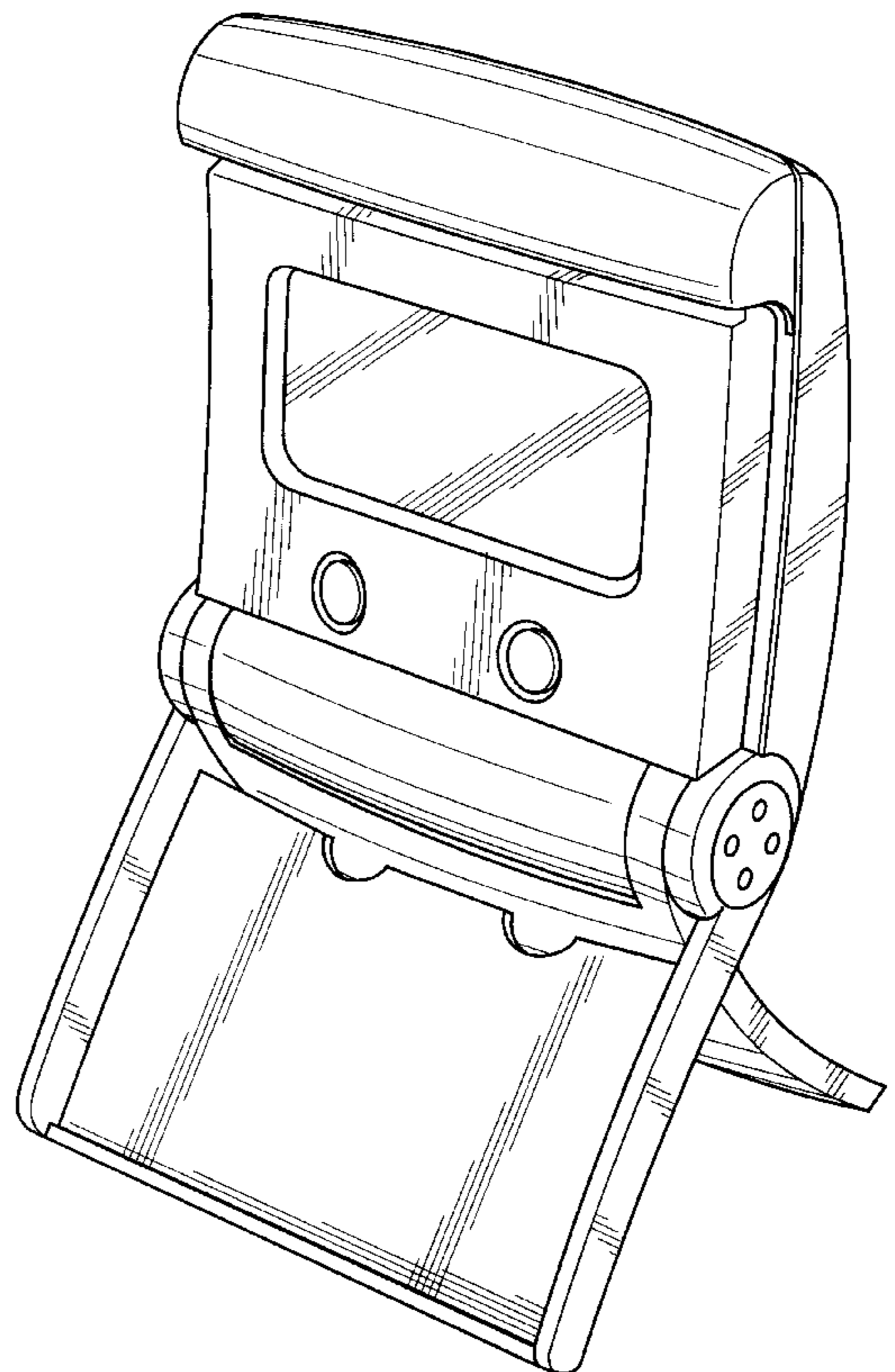
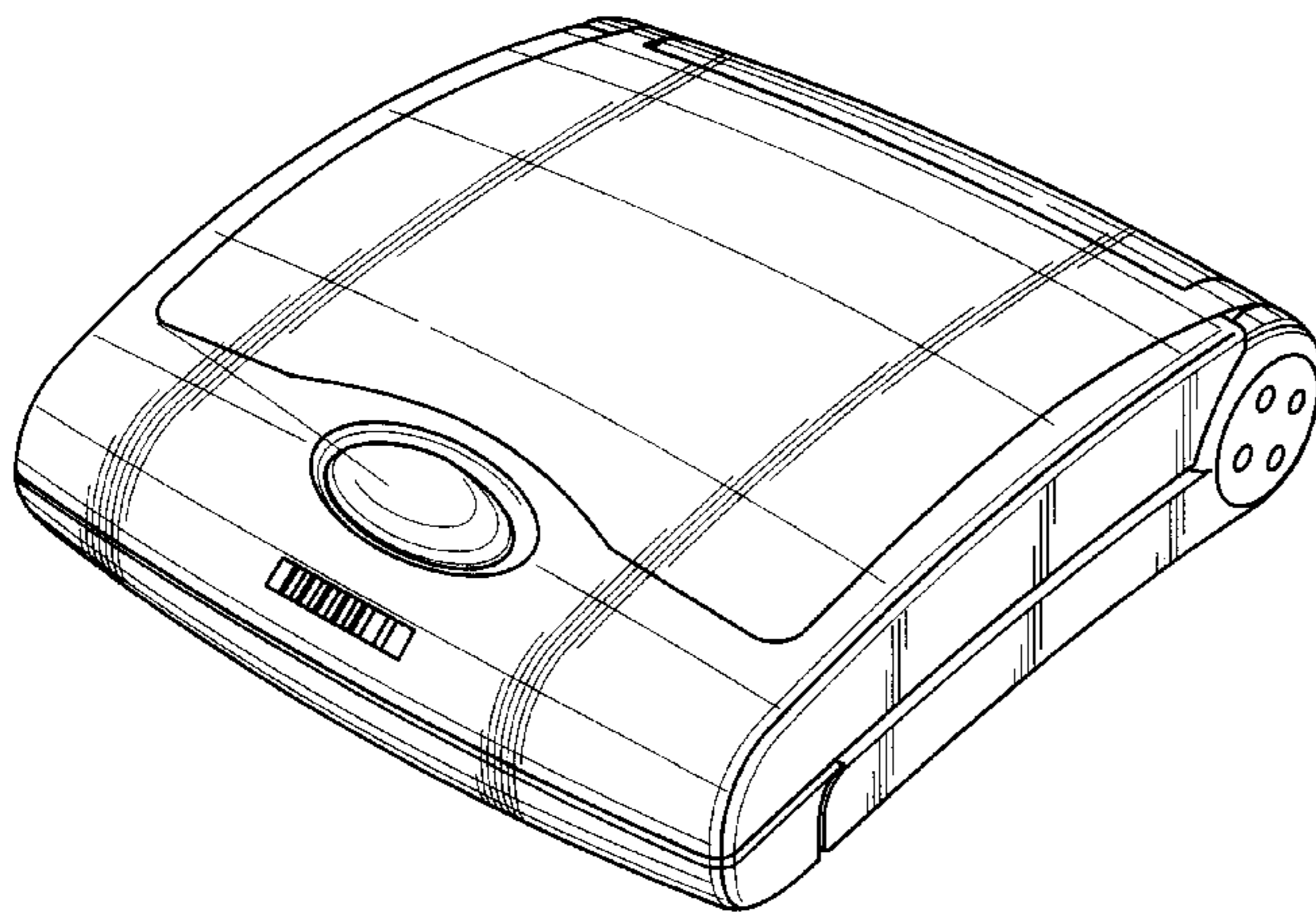
(57) **CLAIM**

The ornamental design for a clock, as shown and described.

DESCRIPTION

FIG. 1 is a perspective view of a clock showing my new design;
 FIG. 2 is a front perspective view in opened position thereof;
 FIG. 3 is a front elevational view thereof;
 FIG. 4 is a top plan view thereof; and
 FIG. 5 is a left side elevational view thereof;
 FIG. 6 is a right side elevational view thereof;
 FIG. 7 is a rear elevational view thereof; and,
 FIG. 8 is a bottom plan view thereof.

1 Claim, 5 Drawing Sheets



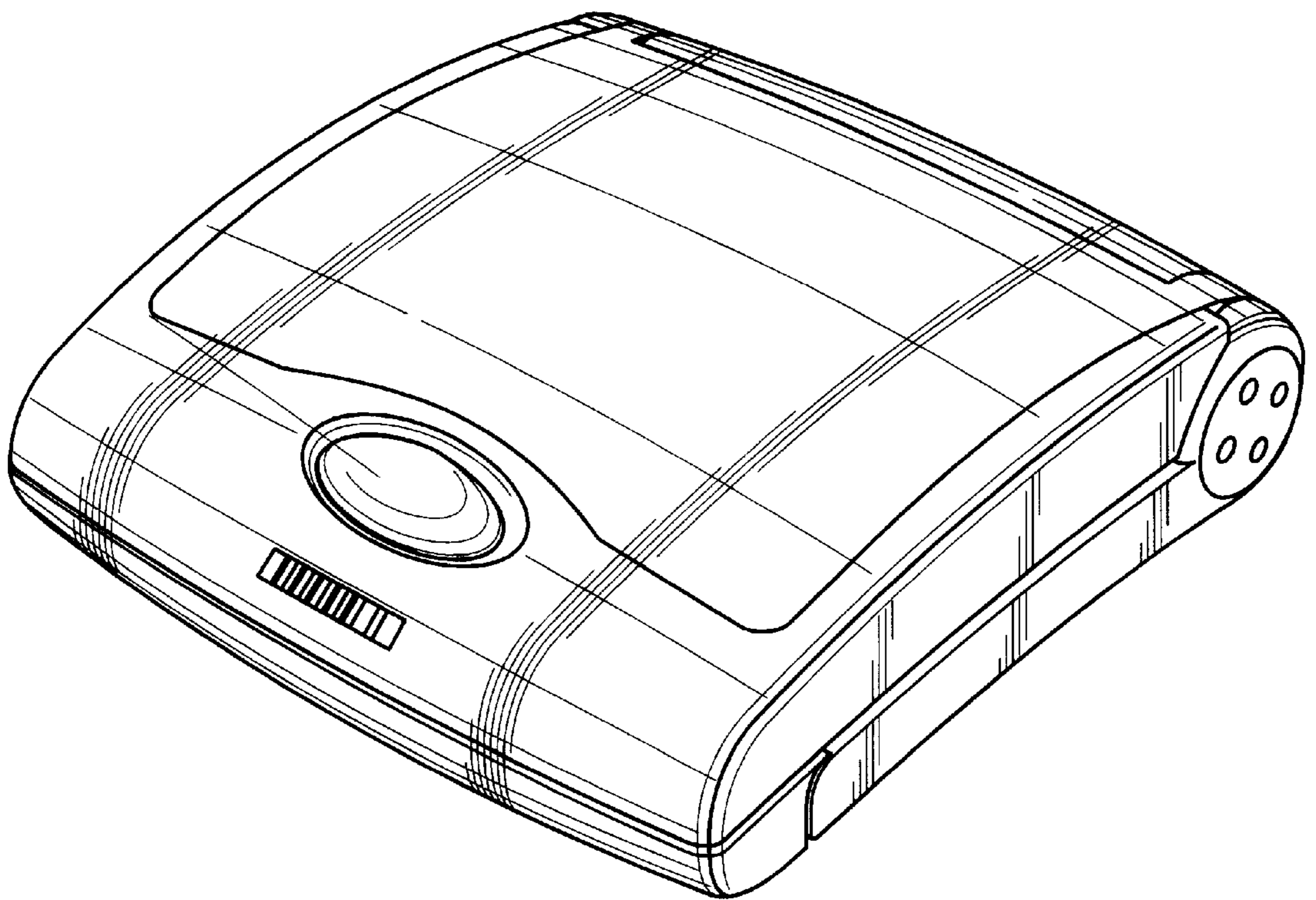


FIG. 1

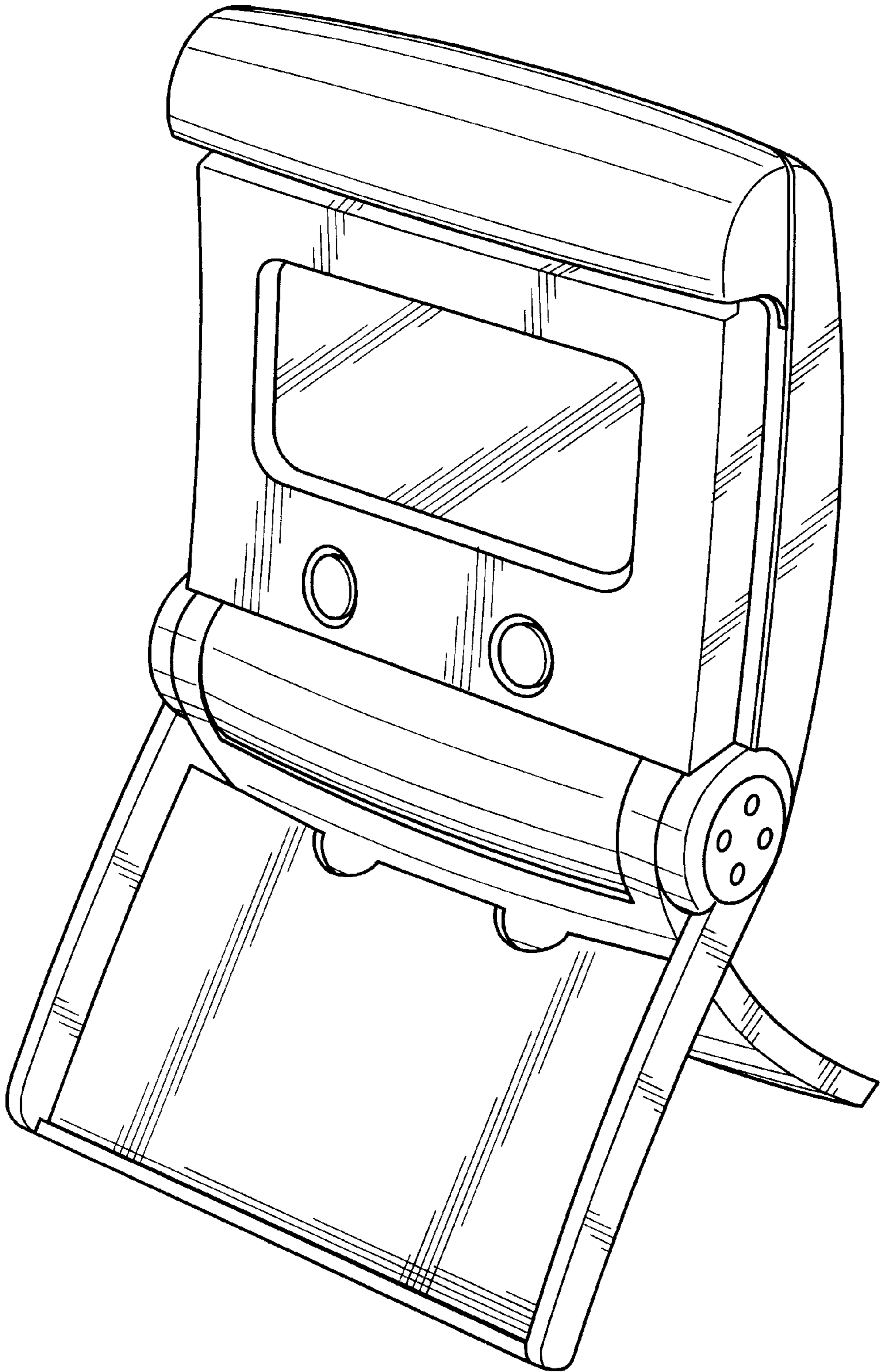


FIG. 2

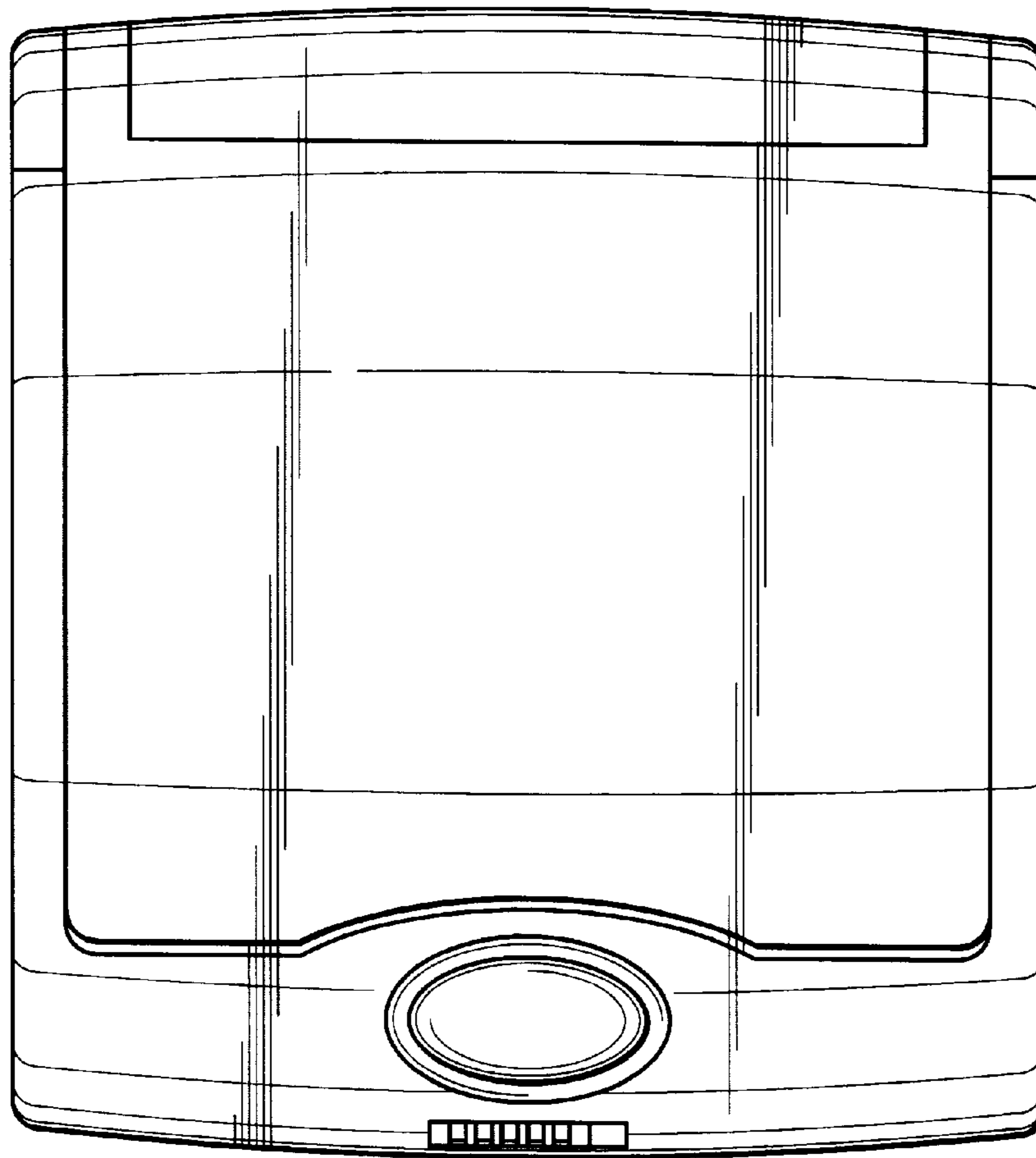


FIG. 4

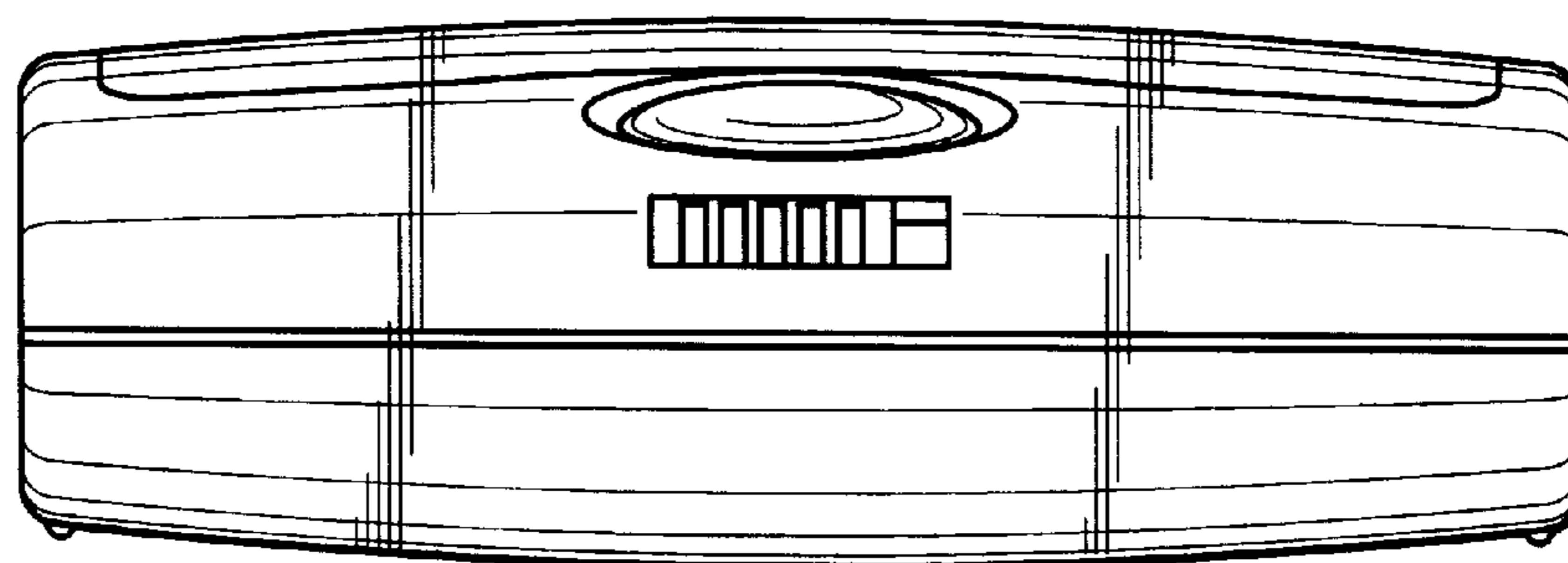


FIG. 3

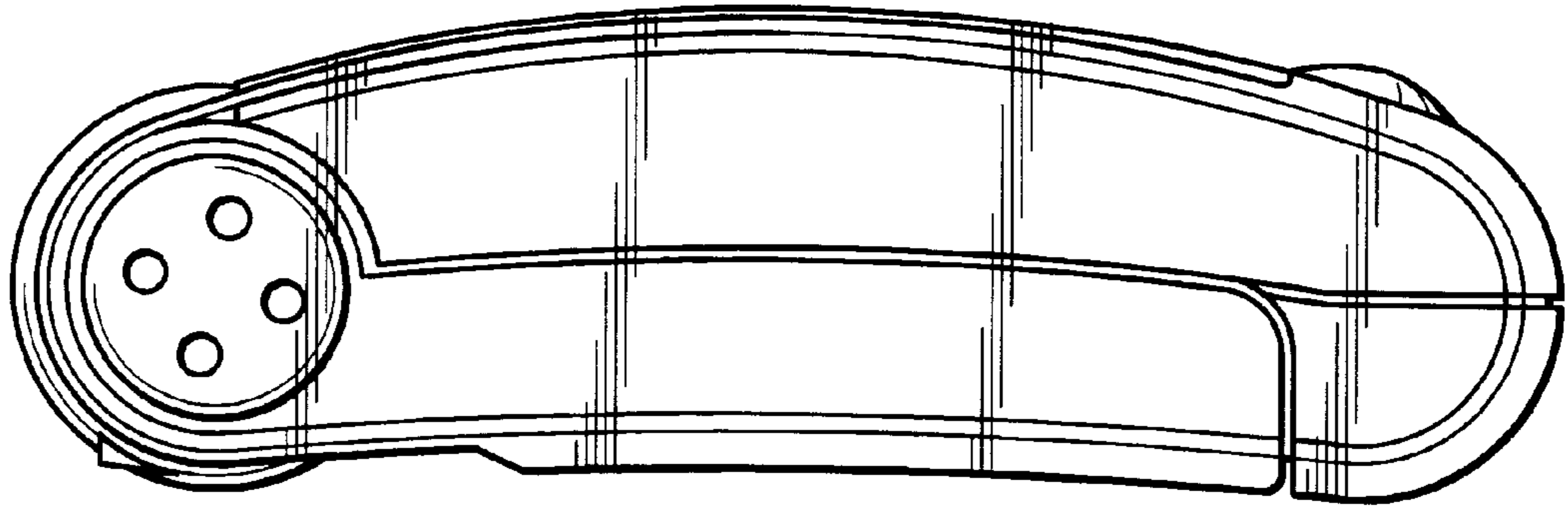


FIG. 5

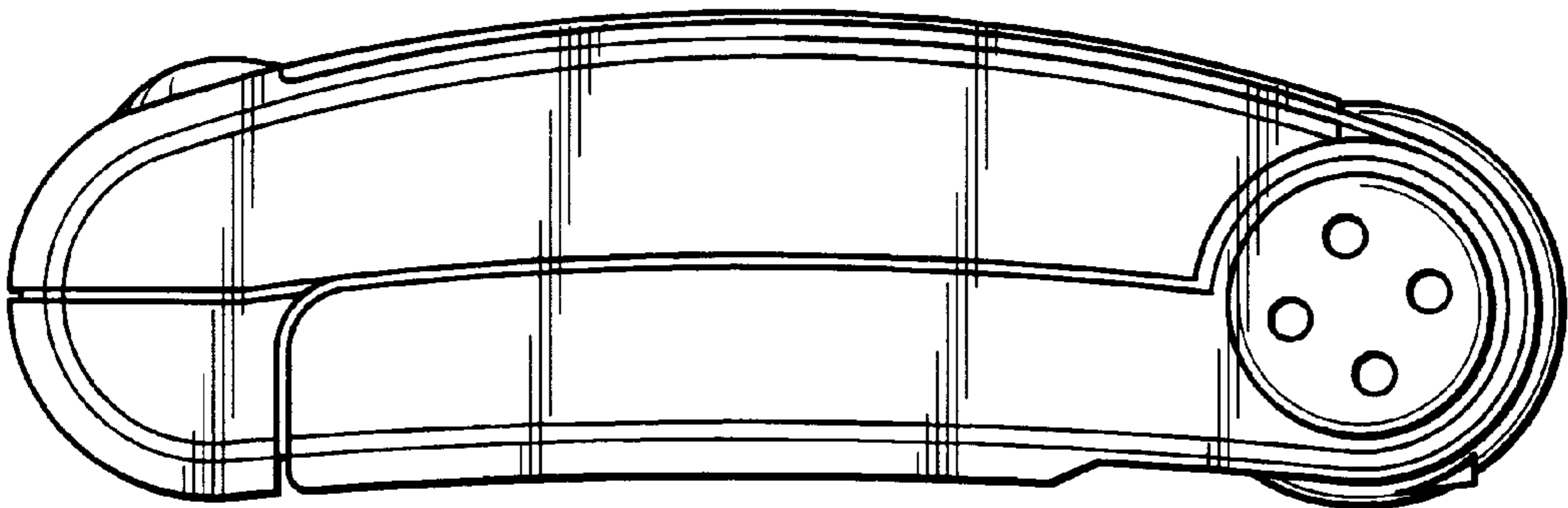


FIG. 6

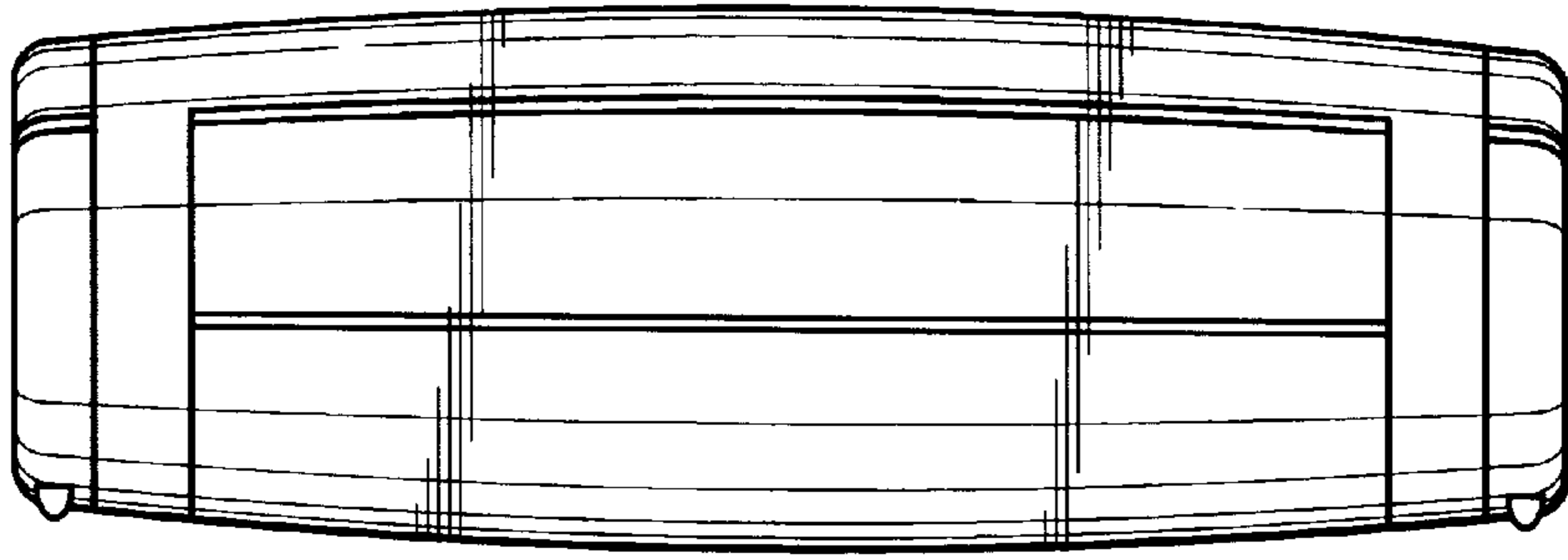


FIG. 7

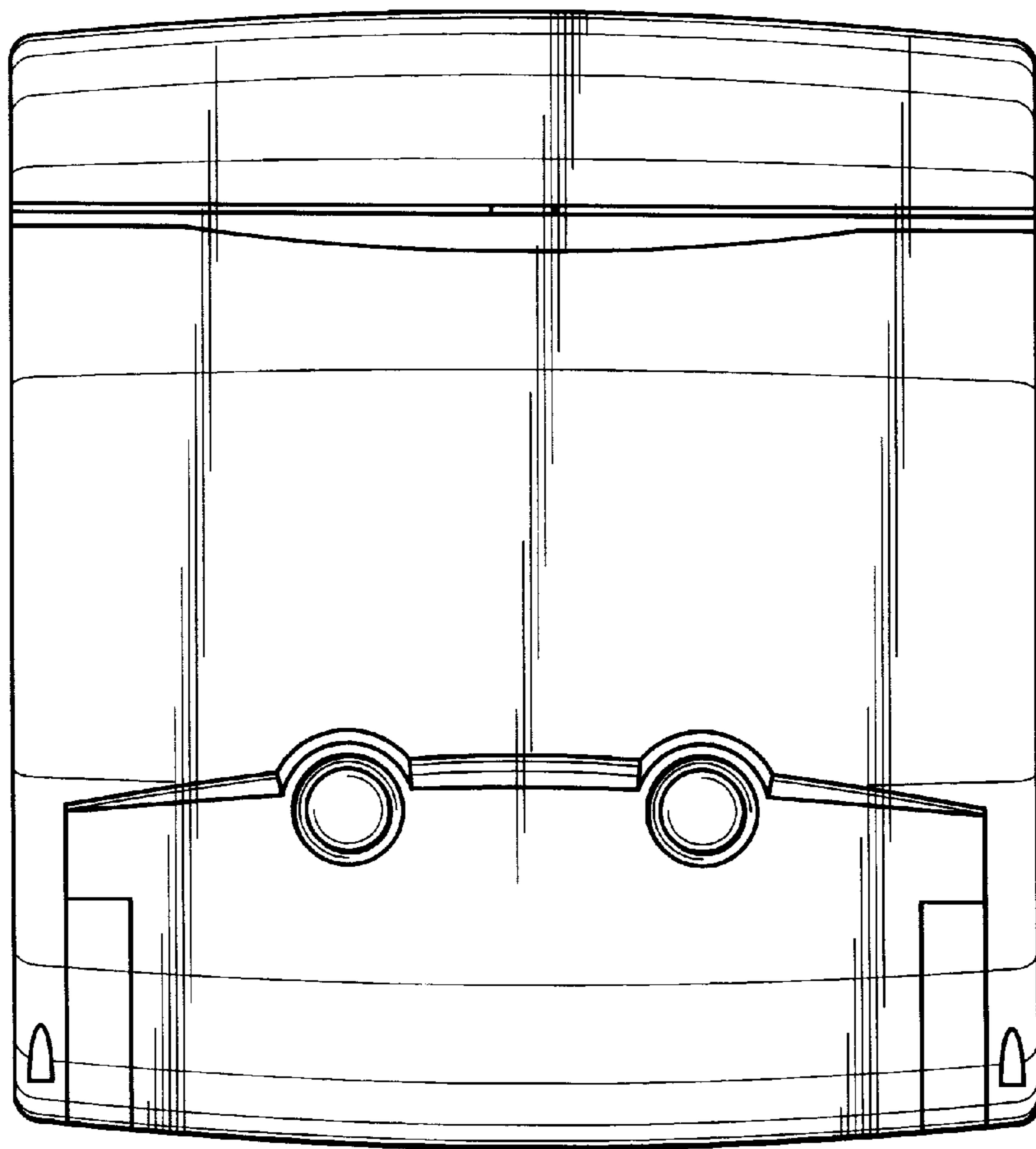


FIG. 8