



US00D436862S

(12) **United States Design Patent**
Witt et al.

(10) **Patent No.:** **US D436,862 S**

(45) **Date of Patent:** **** Jan. 30, 2001**

(54) **BOTTLE CAP**

5,875,908 * 3/1999 Witt et al. 215/256

(75) Inventors: **Steve Witt**, Smithville; **Miles Keller**,
Toronto, both of (CA)

* cited by examiner

Primary Examiner—Cathron Brooks

(73) Assignee: **Stanpac Inc.**, Smithville (CA)

(74) *Attorney, Agent, or Firm*—Ridout & Maybee

(**) Term: **14 Years**

(57) **CLAIM**

The ornamental design for a bottle cap, as shown and described.

(21) Appl. No.: **29/108,070**

(22) Filed: **Jul. 21, 1999**

DESCRIPTION

(51) **LOC (7) Cl.** **09-07**

FIG. 1 is a top perspective view of a first embodiment of a bottle cap showing our new design;

(52) **U.S. Cl.** **D9/438; D9/453**

FIG. 2 is a rear elevational view thereof;

(58) **Field of Search** D9/435, 438, 443,
D9/453, 454, 503; D7/591; 215/256, 307;
220/266; 222/153.07

FIG. 3 is a side elevation thereof, the corresponding view from the opposite side being a mirror image;

FIG. 4 is a bottom plan view thereof;

FIG. 5 is a front elevational view thereof;

(56) **References Cited**

U.S. PATENT DOCUMENTS

D. 95,904	*	6/1935	Fuerst	D9/438
D. 308,828	*	6/1990	Magnusson	D9/438
D. 318,227	*	7/1991	Halm	D7/591
D. 361,265	*	8/1995	Doxey	D9/435
D. 405,696	*	2/1999	Ullrich	D9/454
D. 409,491	*	5/1999	Ullrich et al.	D9/453
5,180,073	*	1/1993	Fay et al.	215/307 X

FIG. 6 is a top perspective view of a second embodiment of a bottle cap showing our new design;

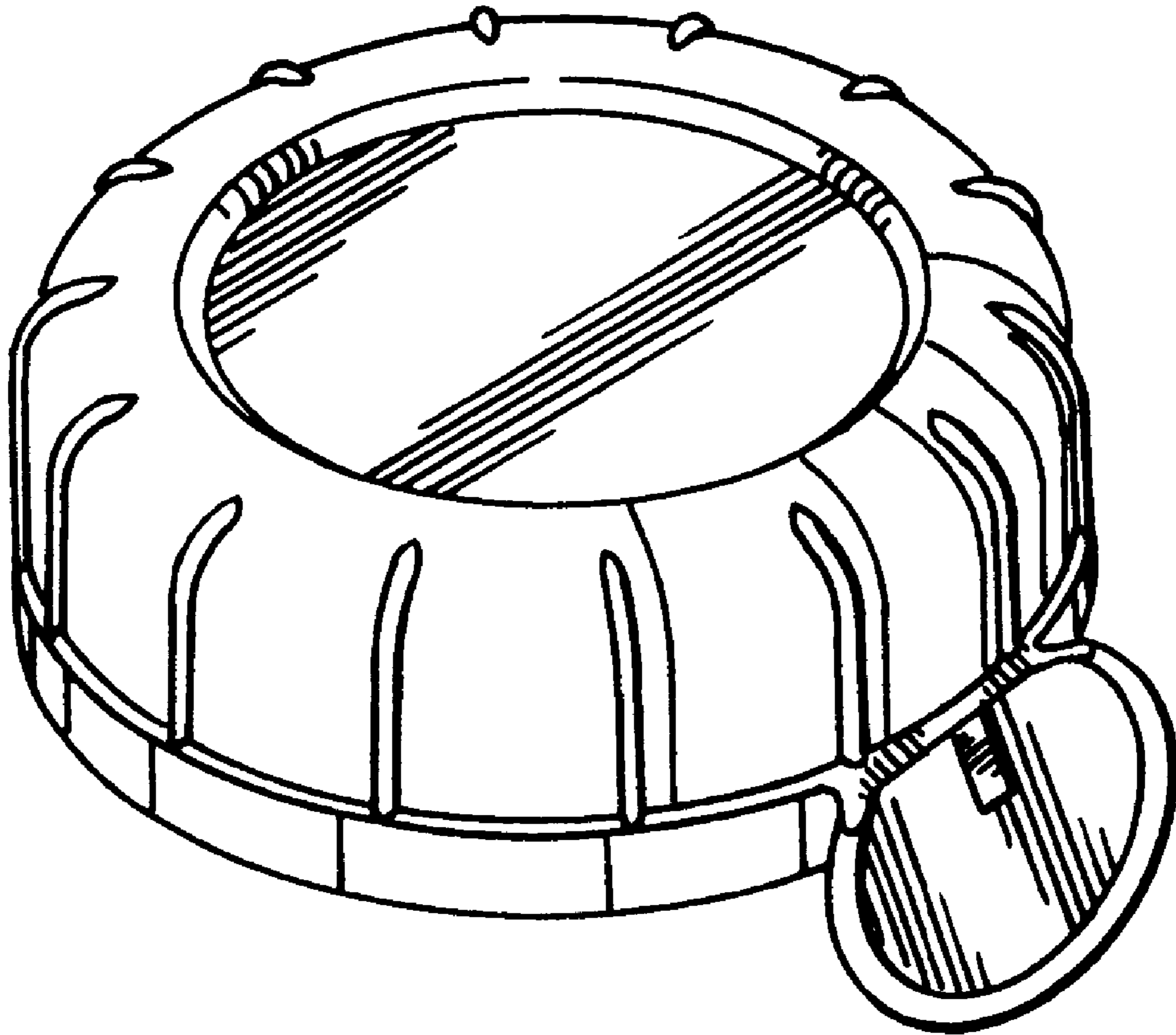
FIG. 7 is a rear elevational view thereof;

FIG. 8 is a side elevation thereof, the corresponding view from the opposite side being a mirror image;

FIG. 9 is a front elevational view thereof; and,

FIG. 10 is a bottom plan view thereof.

1 Claim, 4 Drawing Sheets



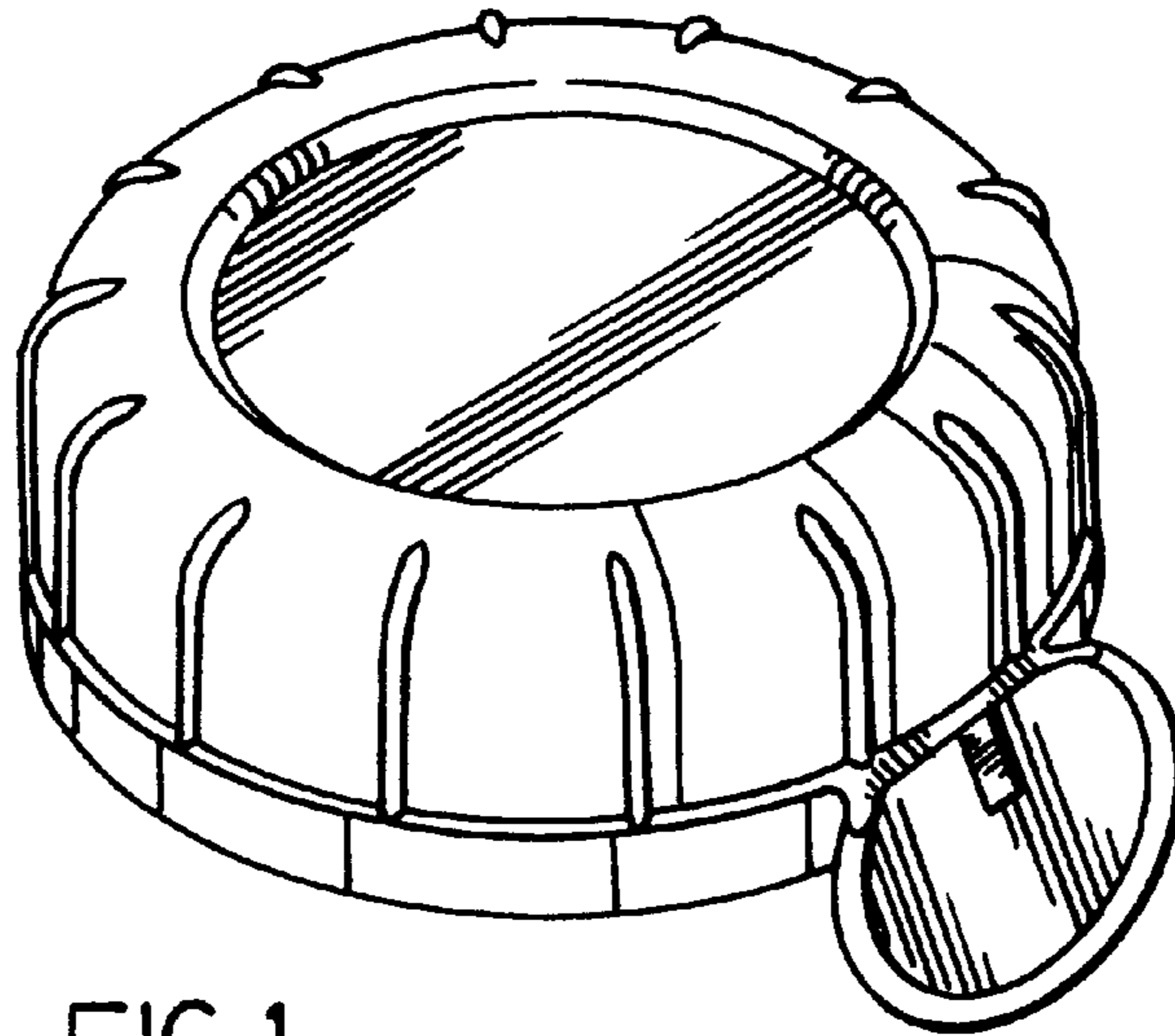


FIG. 1

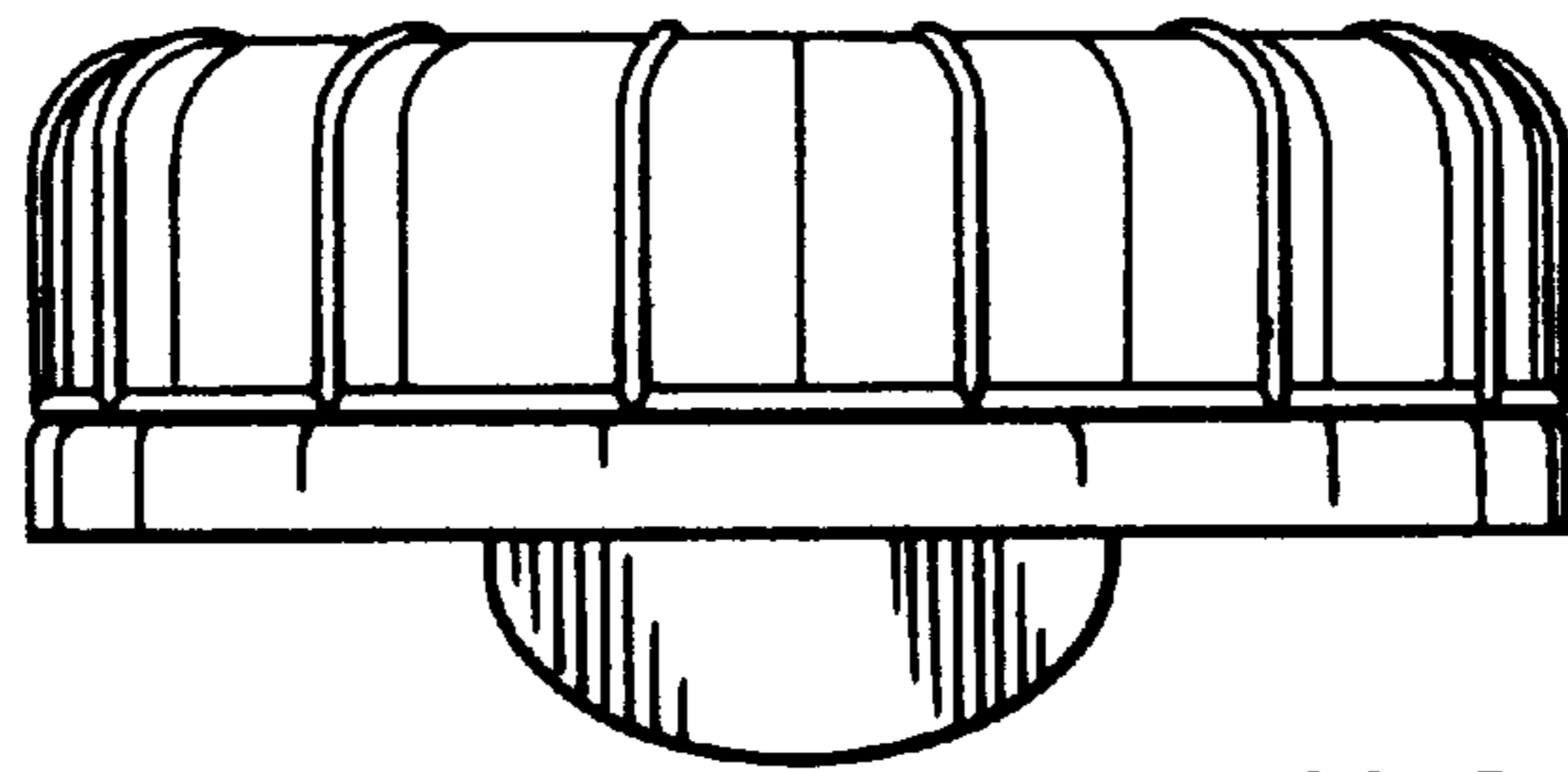


FIG. 2

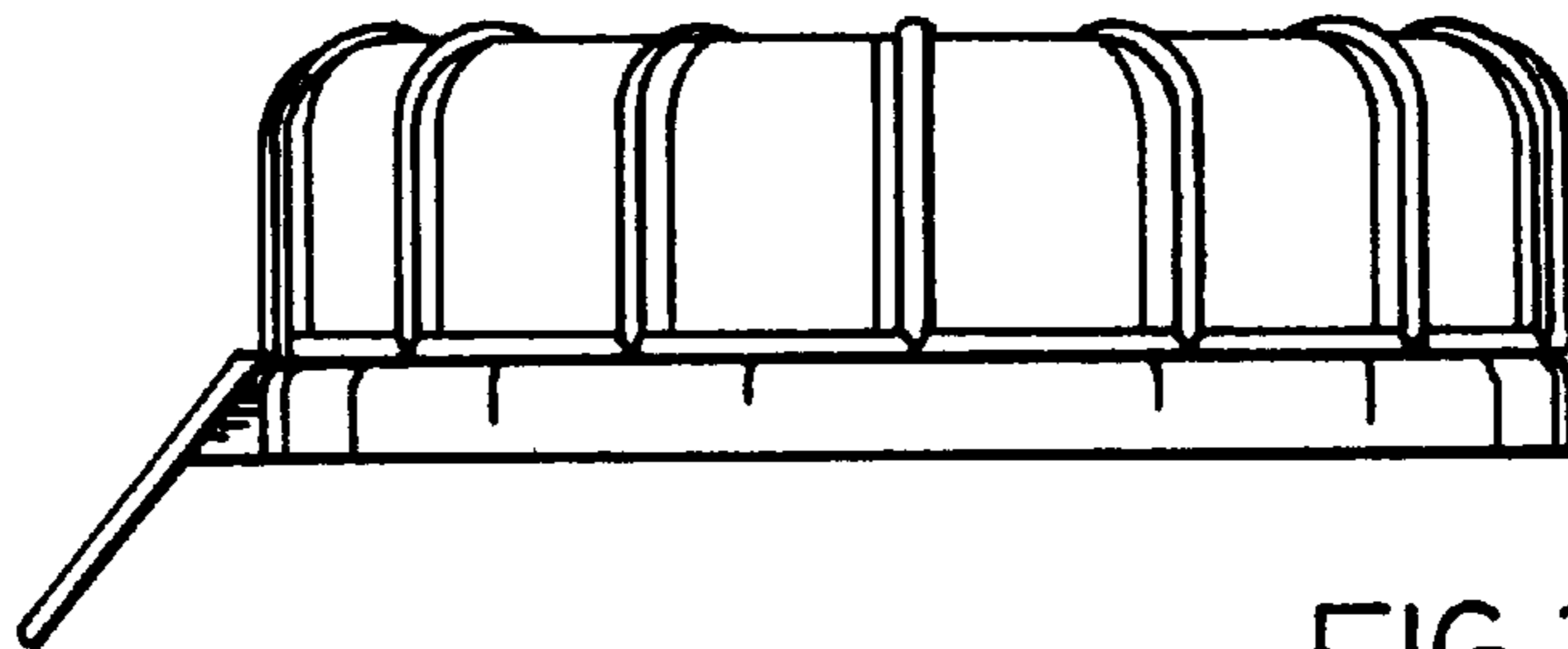


FIG. 3

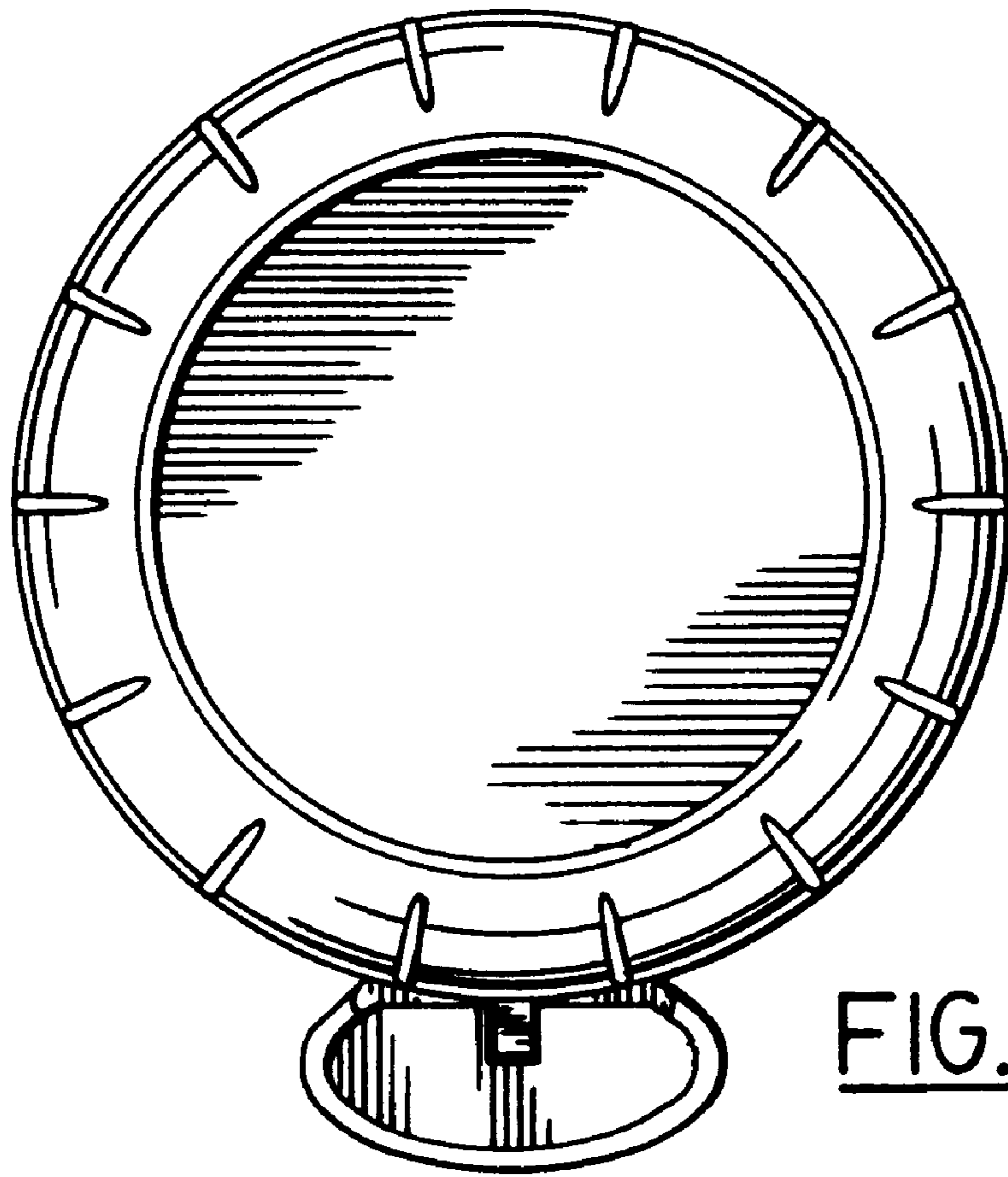


FIG. 4

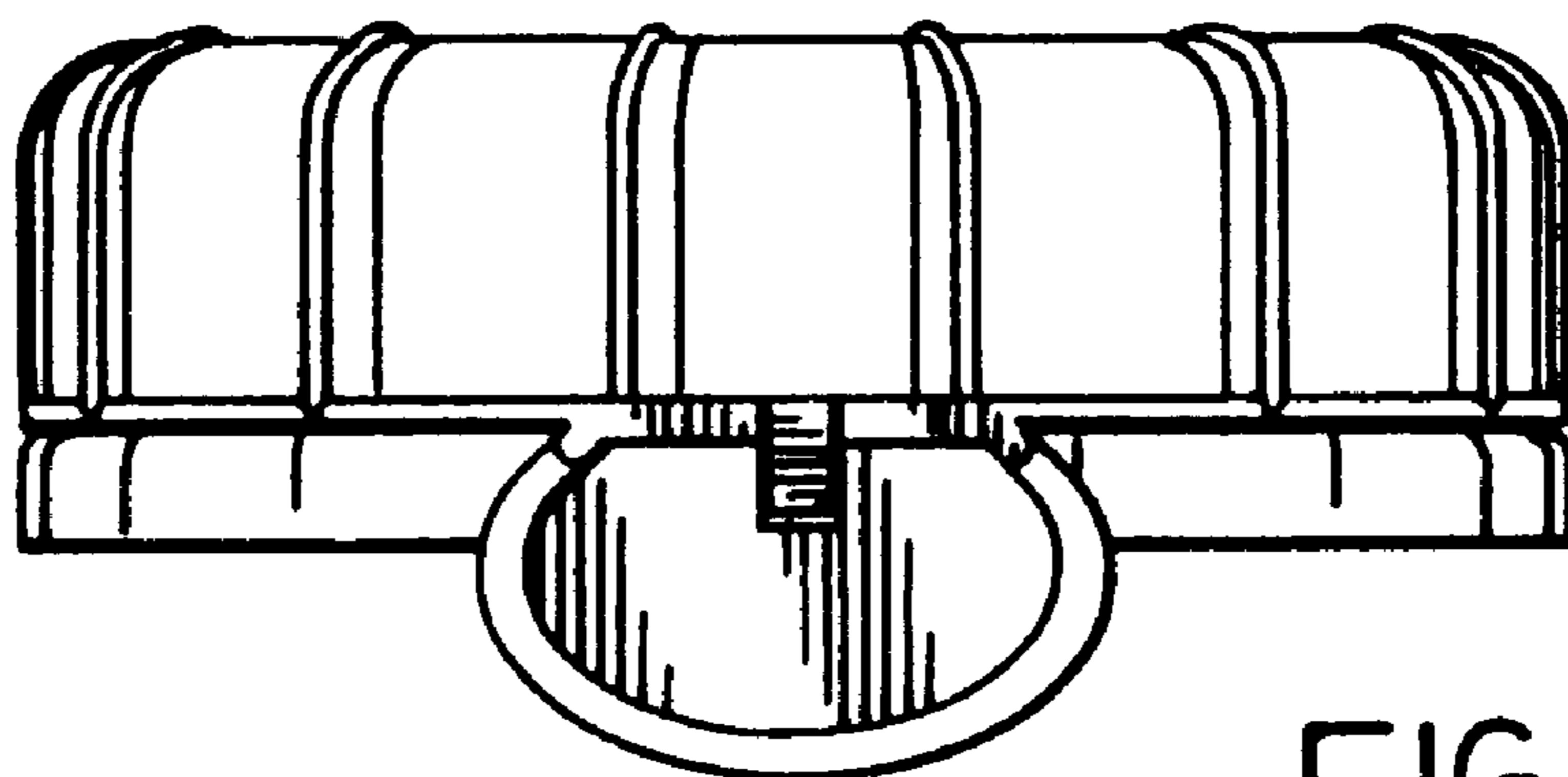


FIG. 5

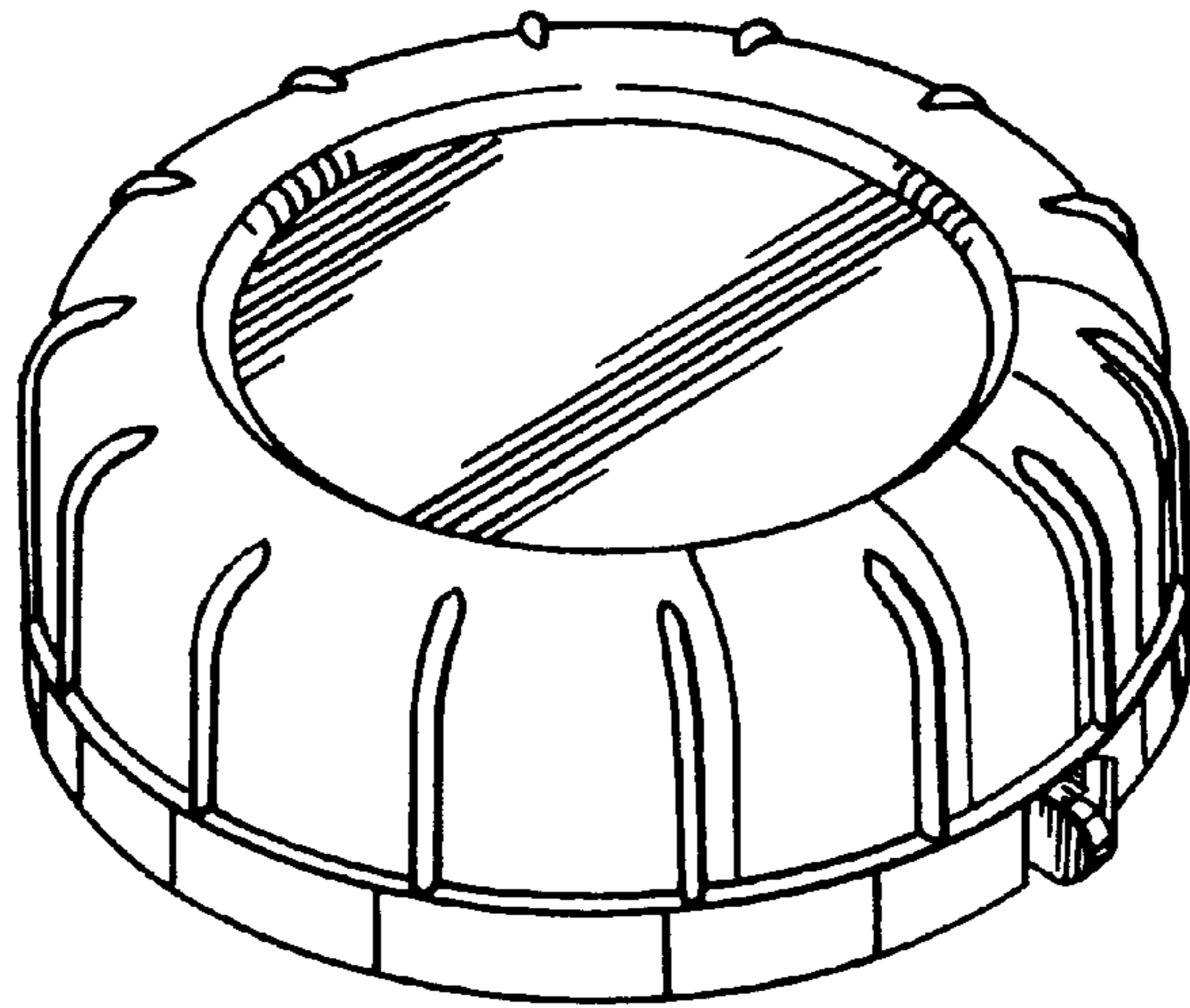


FIG. 6

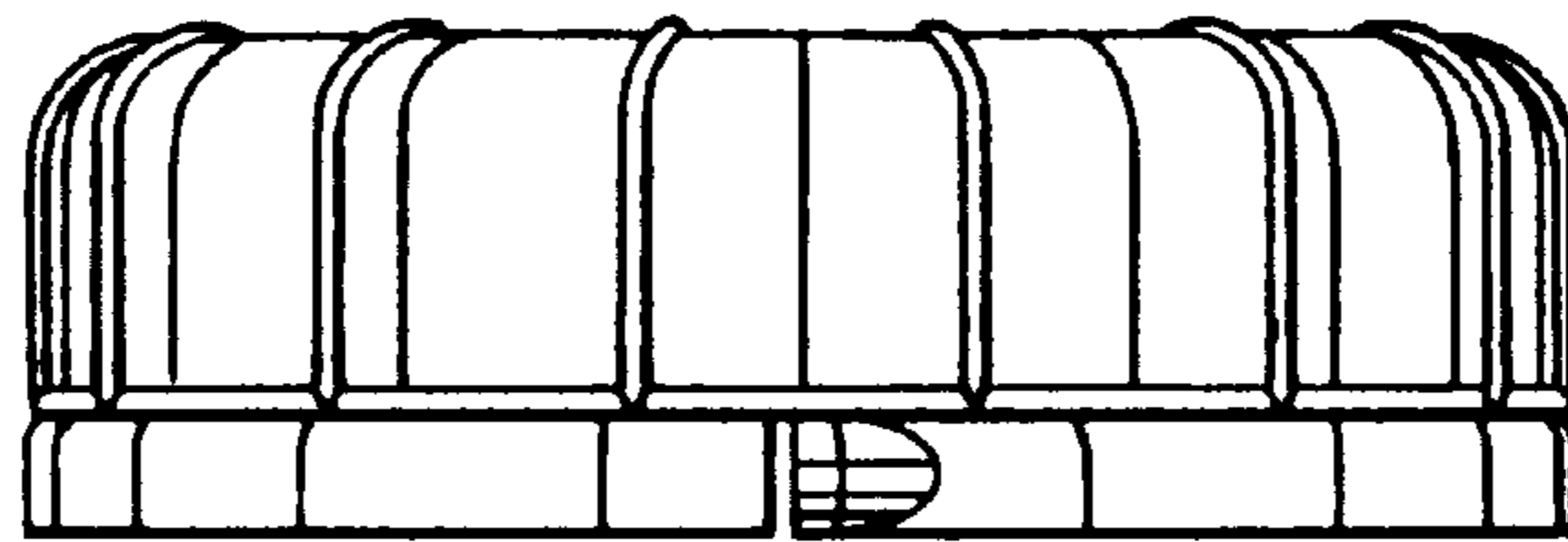


FIG. 7

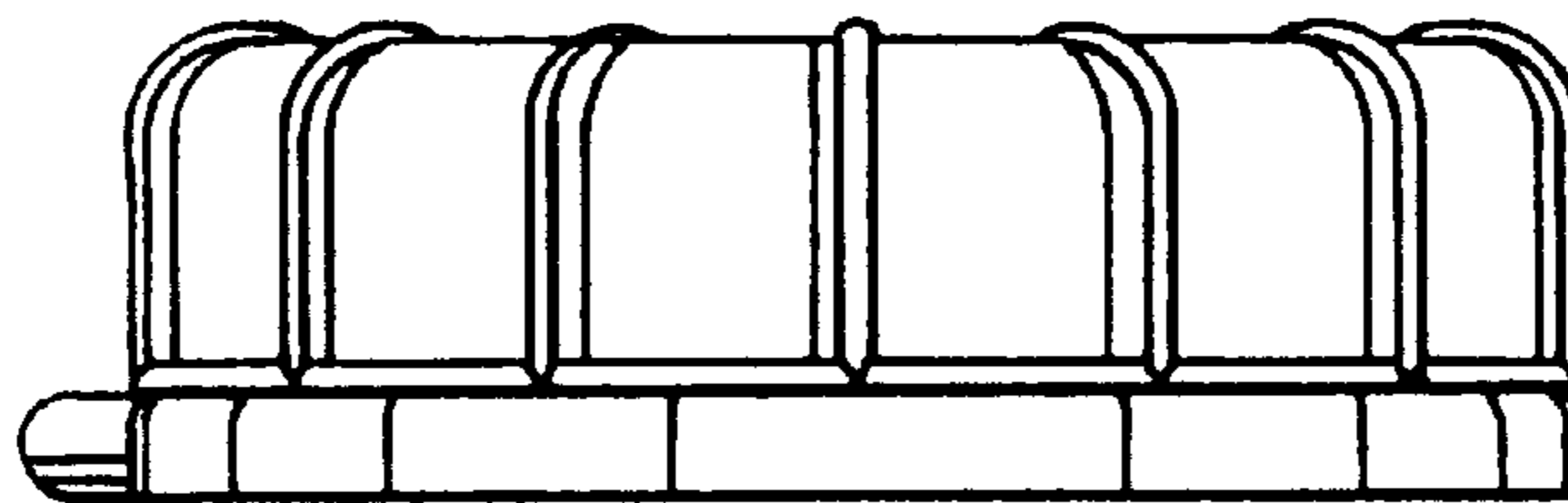


FIG. 8

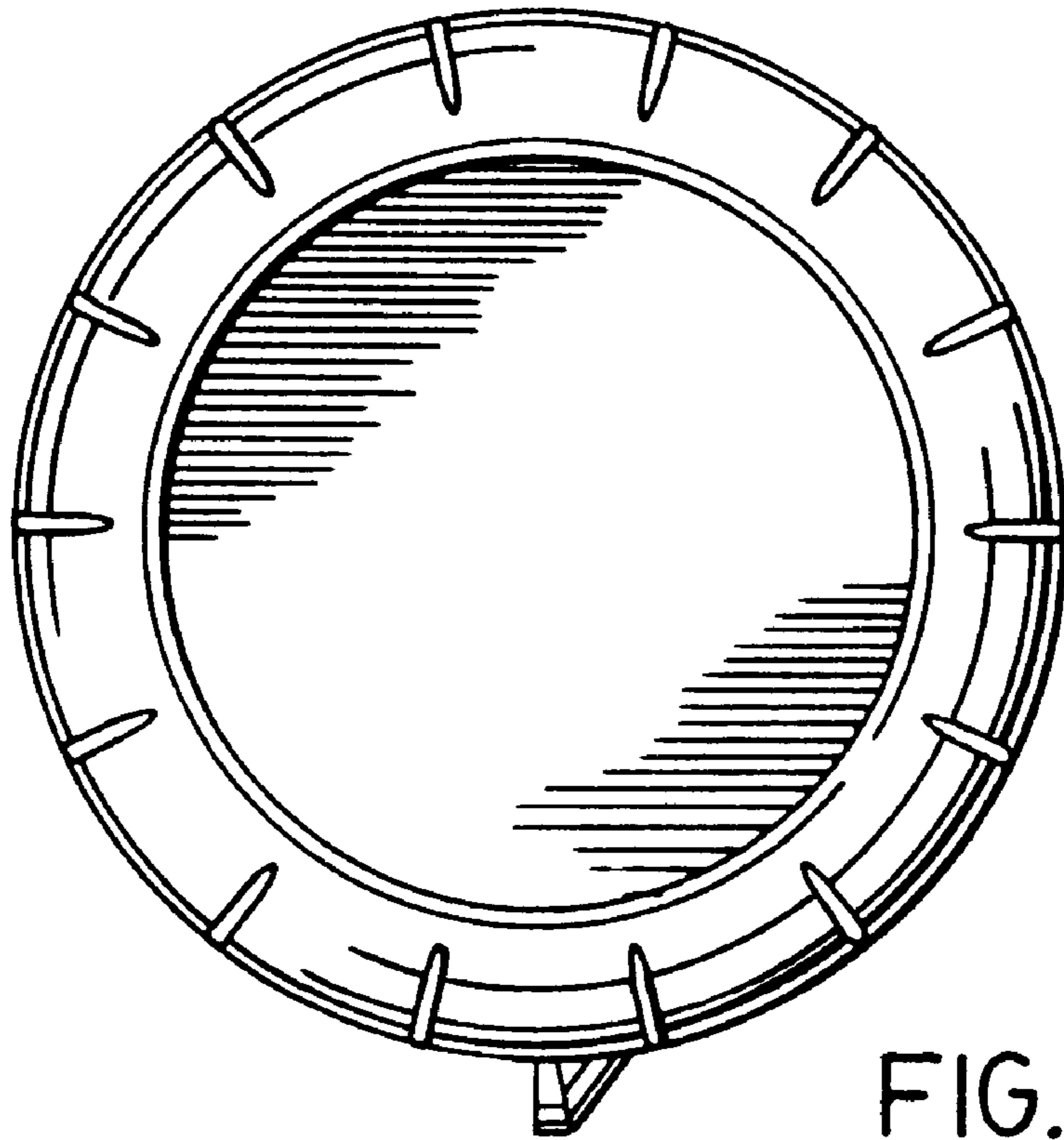


FIG. 9

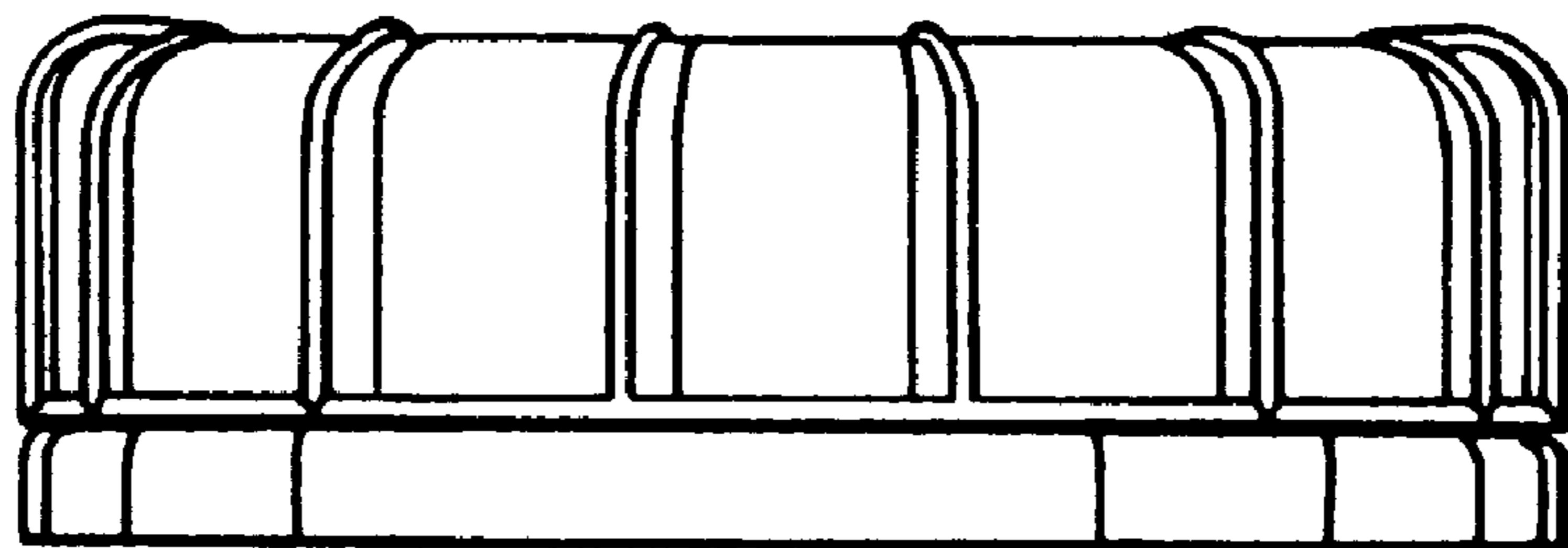


FIG. 10