



US00D436853S

(12) **United States Design Patent**
Sussman

(10) **Patent No.:** **US D436,853 S**

(45) **Date of Patent:** **** Jan. 30, 2001**

(54) **MOLDED TRAY TO HOLD DIFFERENT SIZE CONTAINERS**

(76) **Inventor:** **Sy Sussman**, 2204 Fortuna, N. B., CA (US) 92660

(**) **Term:** **14 Years**

(21) **Appl. No.:** **29/110,044**

(22) **Filed:** **Aug. 30, 1999**

(51) **LOC (7) Cl.** **09-03**

(52) **U.S. Cl.** **D9/341**

(58) **Field of Search** D9/337, 341, 345-347, D9/420-421, 430-432, 425, 414-415; 206/562-564; 220/507, 516, 527-528; 229/407, 904

(56) **References Cited**

U.S. PATENT DOCUMENTS

D. 253,561	*	12/1979	Vigue	D9/341
D. 279,259	*	6/1985	Bixler et al.	D9/341
D. 289,010	*	3/1987	Vigue	D9/425
D. 309,258	*	7/1990	Vigue	229/904
D. 319,579	*	9/1991	Vigue	D9/341

D. 384,275	*	9/1997	DuBois et al.	D9/431
3,197,058	*	7/1965	Hale	D9/341
4,381,847	*	5/1983	Bessett et al.	229/904
5,713,619	*	2/1998	DuBois et al.	206/564

* cited by examiner

Primary Examiner—Ted Shooman

Assistant Examiner—Carol Rademaker

(74) *Attorney, Agent, or Firm*—James G. O'Neill

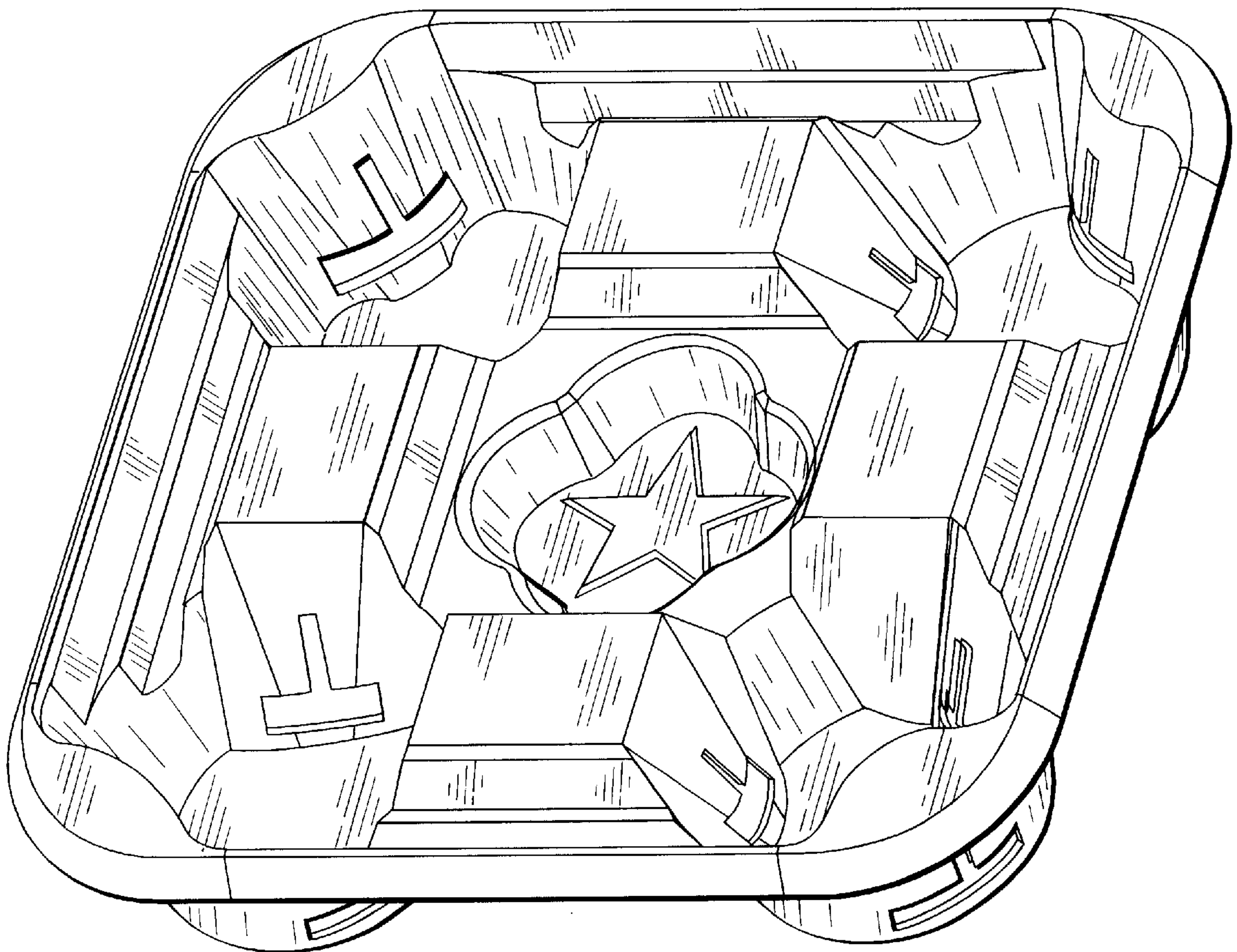
(57) **CLAIM**

The ornamental design for a molded tray to hold different size containers, as shown and described.

DESCRIPTION

FIG. 1 is a top plan view of a molded tray to hold different size containers, showing my new design;
 FIG. 2 is a front elevational view of FIG. 1; the rear and sides being identical thereto;
 FIG. 3 is a top perspective view of the molded tray of FIG. 1; and,
 FIG. 4 is a bottom perspective view of the molded tray of FIG. 1.

1 Claim, 3 Drawing Sheets



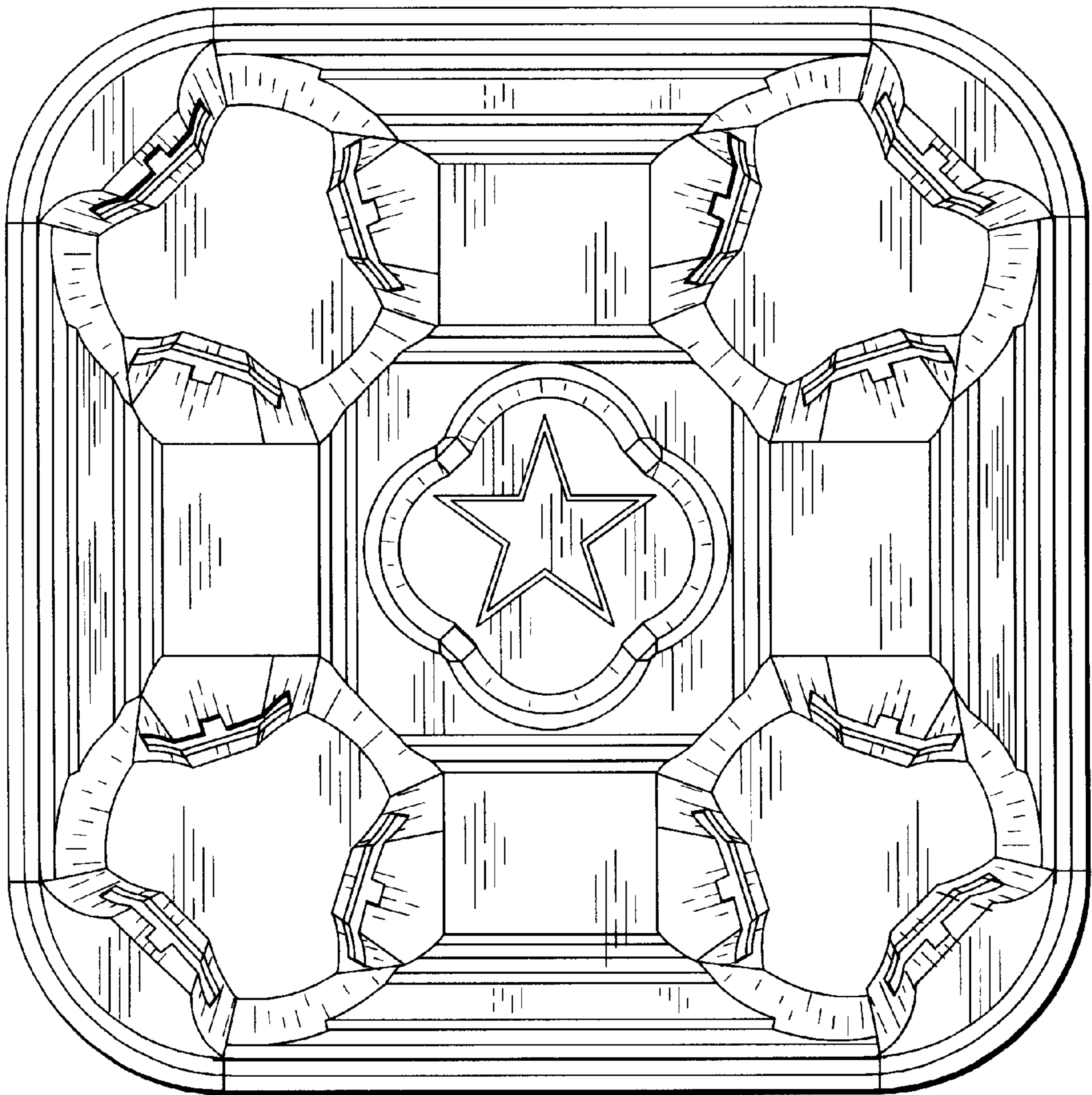


Fig. 1

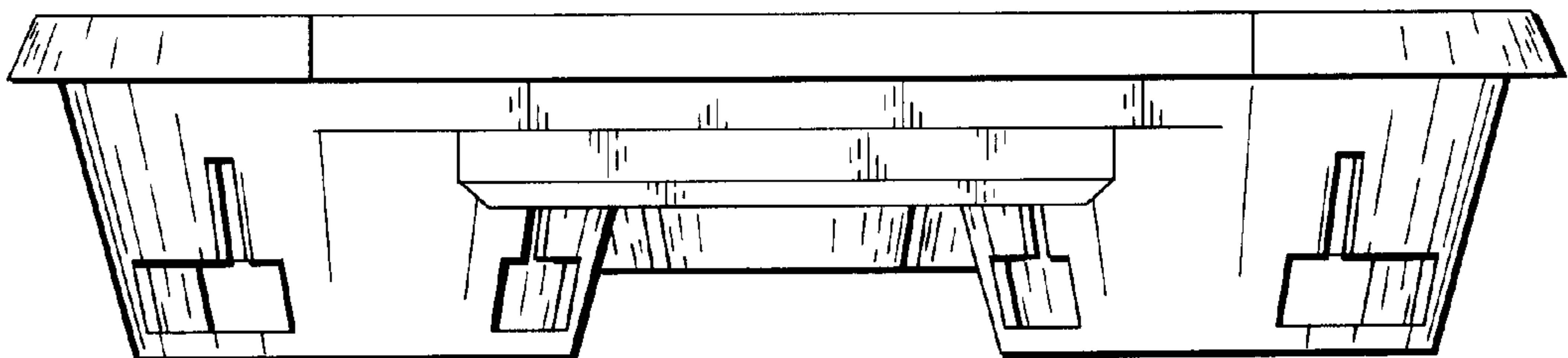


Fig. 2

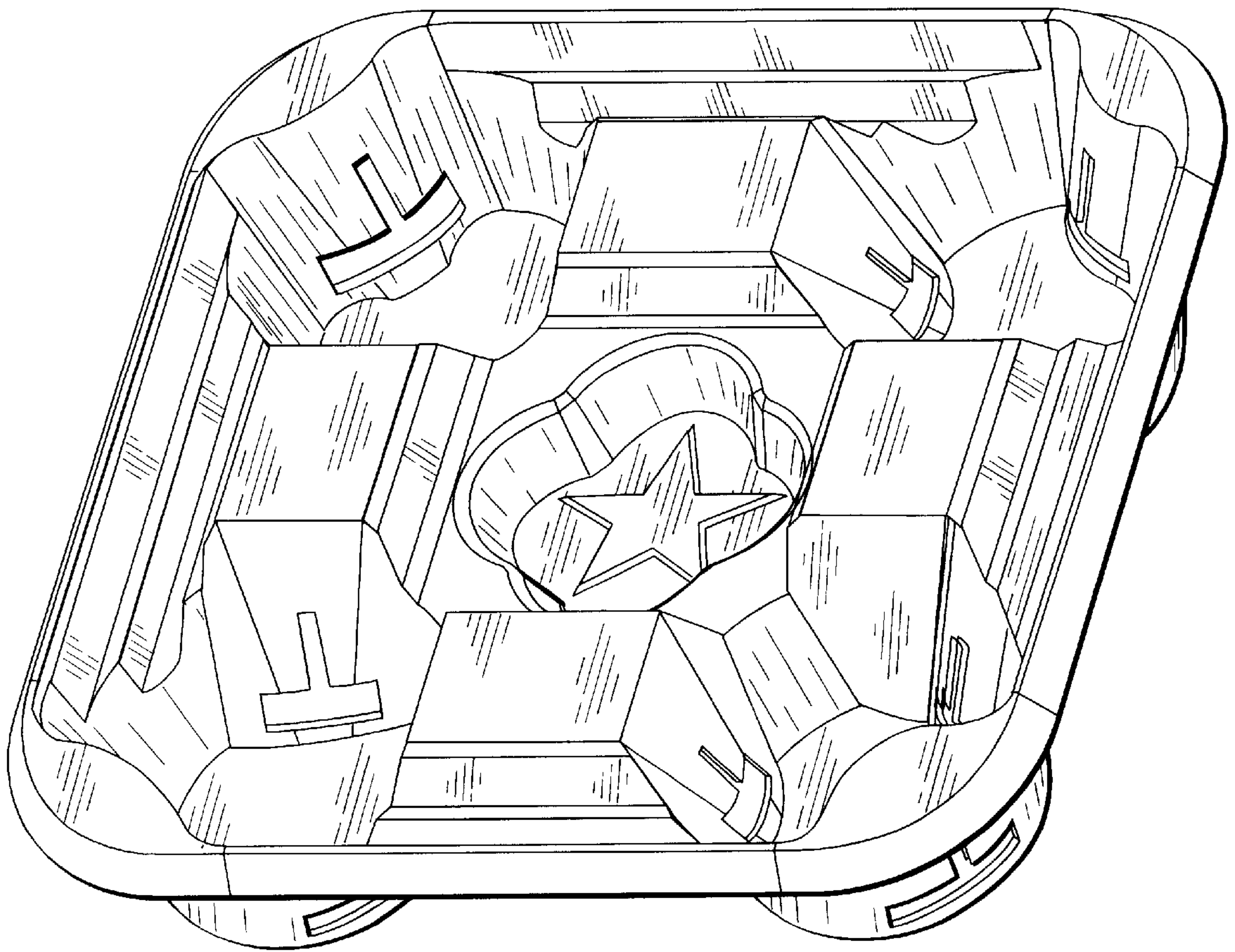


Fig. 3

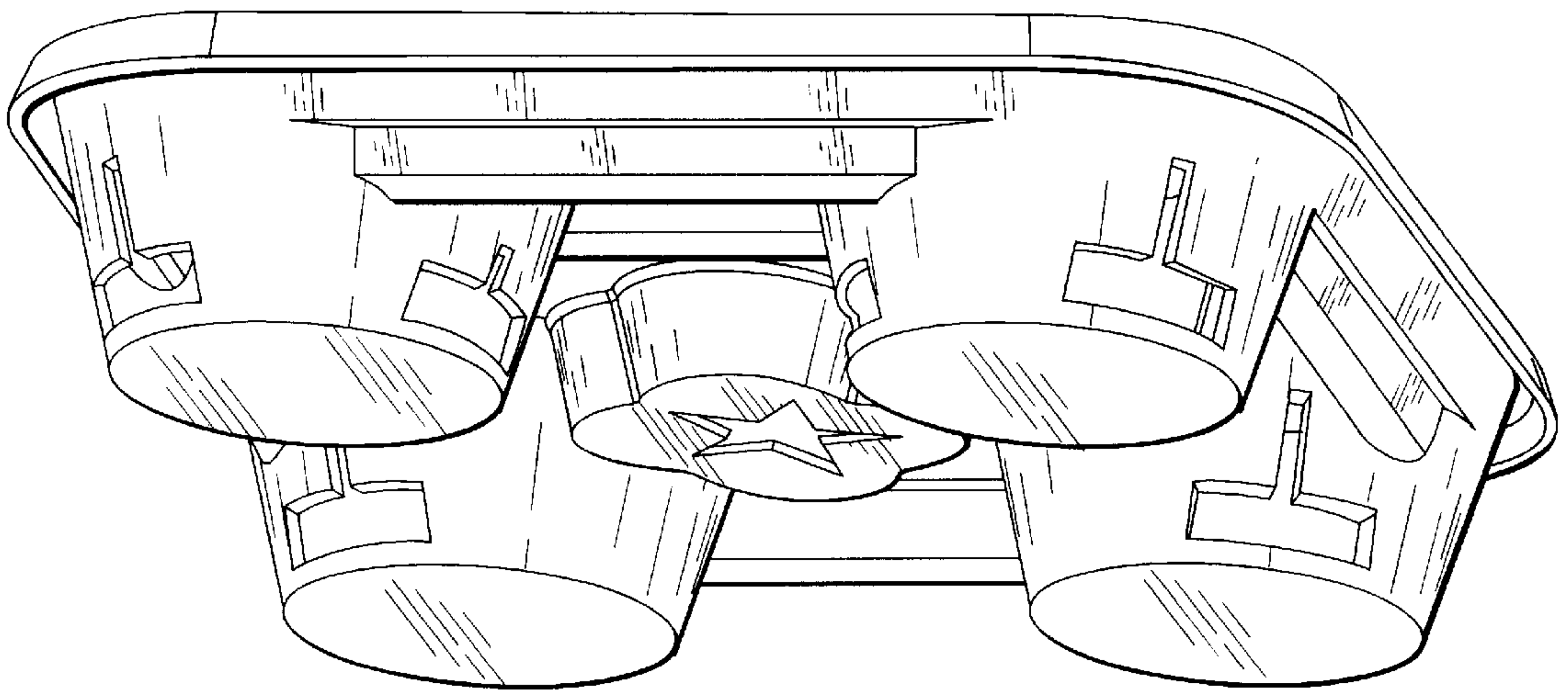


Fig. 4