



US00D436852S

(12) **United States Design Patent**
Chan

(10) **Patent No.:** **US D436,852 S**

(45) **Date of Patent:** **** Jan. 30, 2001**

(54) **DUAL COMPARTMENT CIGAR DISPLAY BOTTLE**

(75) **Inventor:** **Johnny Chan, Hong Kong (CN)**

(73) **Assignee:** **Hollywood Associates Limited, L.L.C., Tortola (VG)**

(**) **Term:** **14 Years**

(21) **Appl. No.:** **29/099,092**

(22) **Filed:** **Jan. 13, 1999**

(30) **Foreign Application Priority Data**

Jul. 21, 1998 (GB) 2076221

(51) **LOC (7) Cl.** **09-03**

(52) **U.S. Cl.** **D9/341; D9/337; D9/549**

(58) **Field of Search** D9/305, 307, 337, D9/341, 414, 500, 502, 516, 520, 527, 530-531, 533, 538, 545, 549-551, 554, 556-558, 575; D27/186-187, 189, 191; 215/383-384, 396, 398, 6; 206/446, 242, 256

(56) **References Cited**

U.S. PATENT DOCUMENTS

59,687	11/1866	Waldstein et al. .	
D. 233,738	* 11/1974	Latorre	D9/538
D. 323,113	* 1/1992	Middleton	D9/563
D. 326,811	* 6/1992	Messer	D9/500
393,252	11/1888	Meier .	
469,001	2/1892	Sherman .	
540,697	6/1895	Shulin .	
544,219	8/1895	Godet .	
1,289,218	12/1918	Maiden .	

1,993,978	3/1935	Plochman	215/6
2,187,558	1/1940	Kushima	62/142
2,470,806	5/1949	Del Cveto	219/43
2,720,307	10/1955	Morgan	206/37
3,590,989	7/1971	Wittwer	206/47
3,741,383	6/1973	Wittwer	206/47
5,135,823	8/1992	Eales et al.	429/156
5,197,602	3/1993	Biesecker et al.	206/514
5,310,564	5/1994	Kimm	426/115
5,318,183	6/1994	Cohen et al.	206/538
5,482,170	1/1996	Semersky et al.	215/6
5,881,868	3/1999	Soyak et al. .	

FOREIGN PATENT DOCUMENTS

2071336	12/1997	(GB) .
9810645	5/1998	(HK) .

* cited by examiner

Primary Examiner—James Gandy

Assistant Examiner—Carol Rademaker

(74) *Attorney, Agent, or Firm*—Stetina Brunda Garred & Brucker

(57) **CLAIM**

The ornamental design for a dual compartment cigar display bottle, as shown and described.

DESCRIPTION

FIG. 1 is a side elevational view of the dual compartment cigar display bottle of the present invention showing my new design, the broken line showing of a bottle cork being for illustrative purposes only and forming no part of the claimed design;

FIG. 2 is a top plan view thereof; and,

FIG. 3 is a bottom plan view thereof.

1 Claim, 1 Drawing Sheet

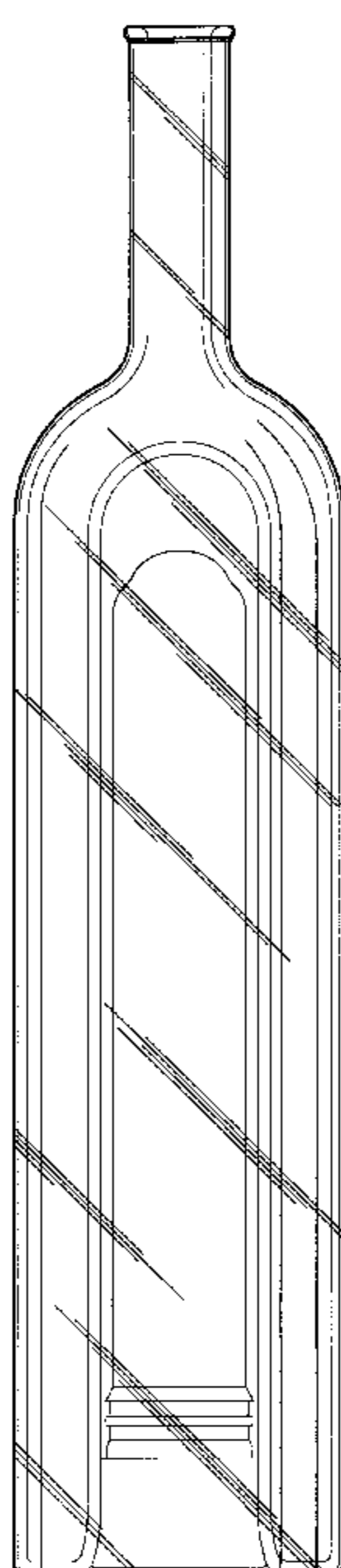


Fig. 1

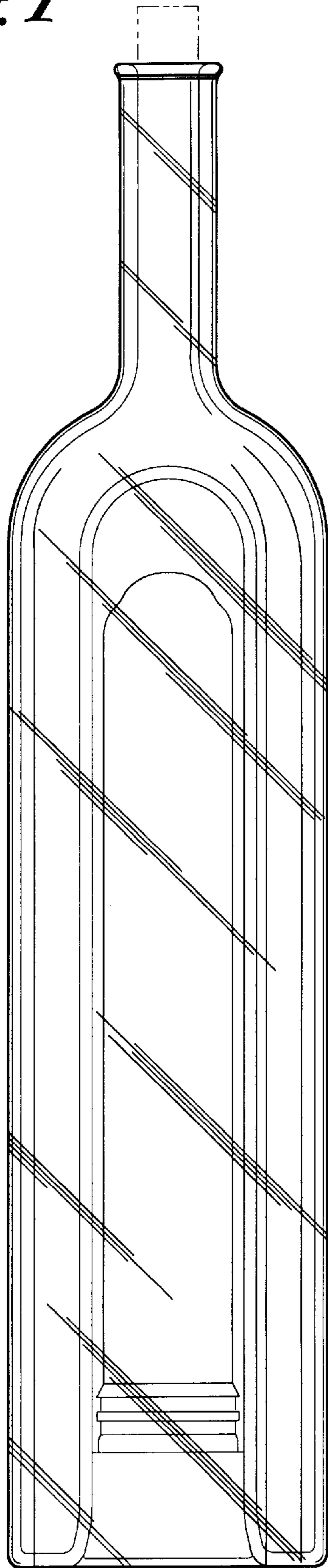


Fig. 2

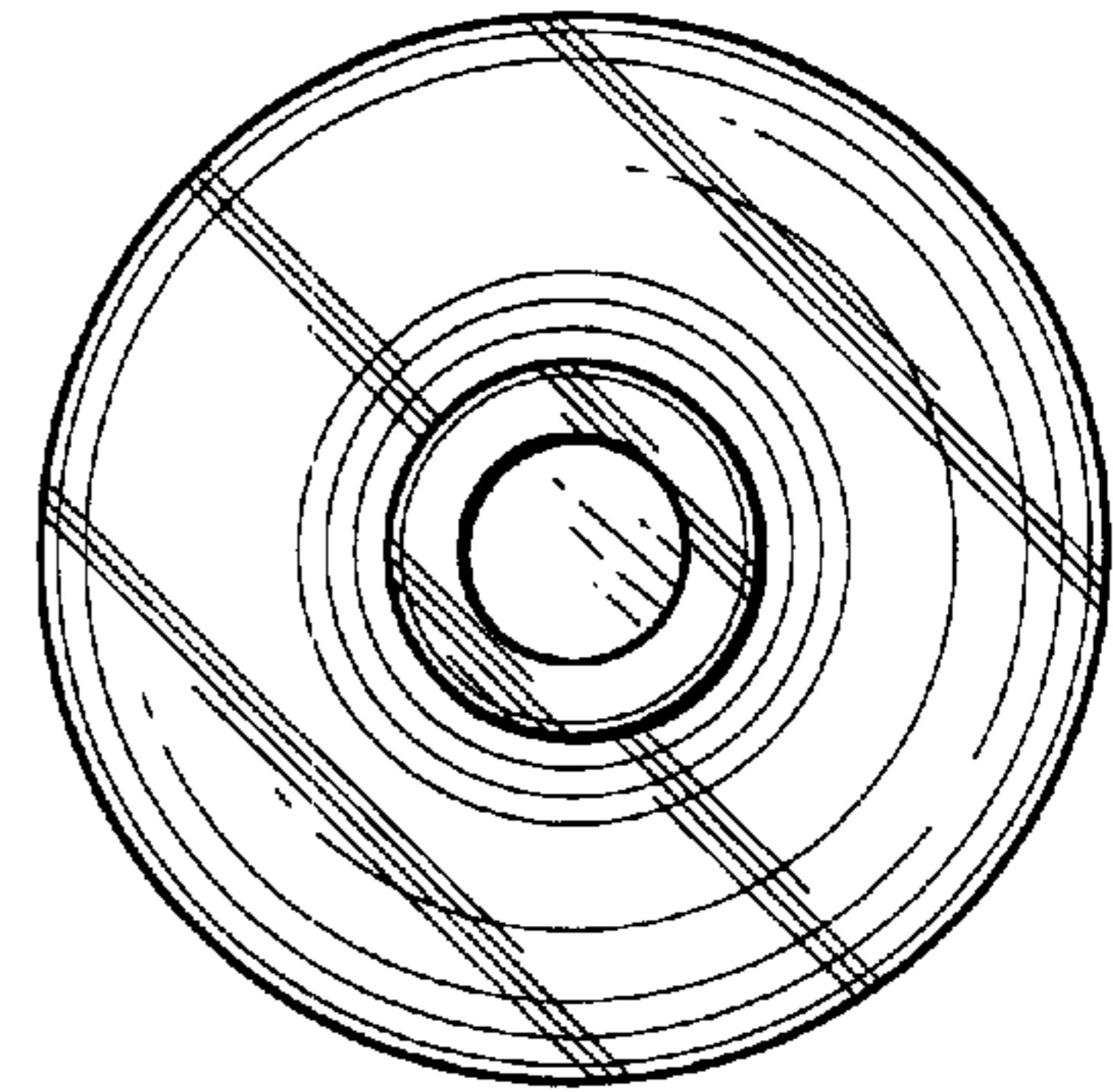


Fig. 3

