



US00D436846S

(12) **United States Design Patent**
Millon

(10) **Patent No.:** **US D436,846 S**

(45) **Date of Patent:** **** Jan. 30, 2001**

(54) **PACKET**

(75) **Inventor:** **Joel Millon, Westfield, NJ (US)**

(73) **Assignee:** **Colgate-Palmolive Company, New York, NY (US)**

(**) **Term:** **14 Years**

(21) **Appl. No.:** **29/102,261**

(22) **Filed:** **Mar. 19, 1999**

(51) **LOC (7) Cl.** **09-05**

(52) **U.S. Cl.** **D9/305**

(58) **Field of Search** D9/302, 305, 306;
222/92, 94, 100, 105, 107, 1; 383/33, 42,
93, 107, 113, 119

(56) **References Cited**

U.S. PATENT DOCUMENTS

3,403,064	*	9/1968	Bellamy	383/119	X
4,362,255	*	12/1982	Bond	222/107	
4,378,069	*	3/1983	Franco	383/107	
4,524,458	*	6/1985	Pongrass et al.	383/33	

4,998,990	*	3/1991	Richter et al.	222/92	
5,647,511	*	7/1997	Bond	222/105	
5,875,892	*	3/1999	Martin et al.	D9/305	X
5,941,421	*	8/1999	Overman et al.	222/105	
6,050,444	*	4/2000	Sugg	222/1	X
6,056,157	*	5/2000	Gehl et al.	222/94	

* cited by examiner

Primary Examiner—Cathron Brooks

(74) *Attorney, Agent, or Firm*—Michael McGreal

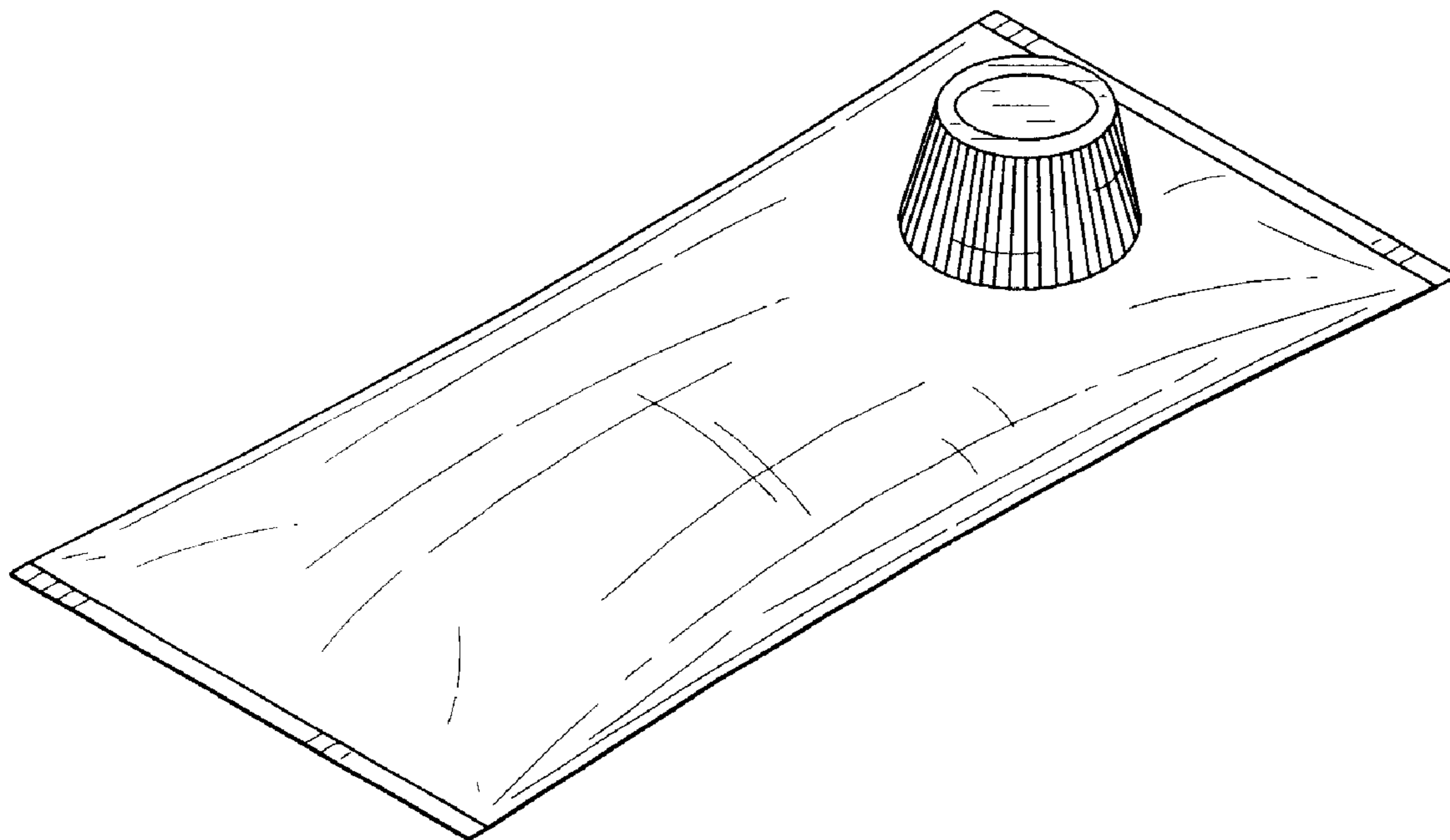
(57) **CLAIM**

The ornamental design for a packet, as shown and described.

DESCRIPTION

FIG. 1 is a perspective view of the packet of my design.
FIG. 2 is a perspective view with the closure removed.
FIG. 3 is a front and rear elevation view of FIG. 2.
FIG. 4 is a right side elevation view of FIG. 2.
FIG. 5 is a left side elevation view of FIG. 2.
FIG. 6 is a top plan view thereof; and,
FIG. 7 is a bottom plan view thereof.

1 Claim, 2 Drawing Sheets



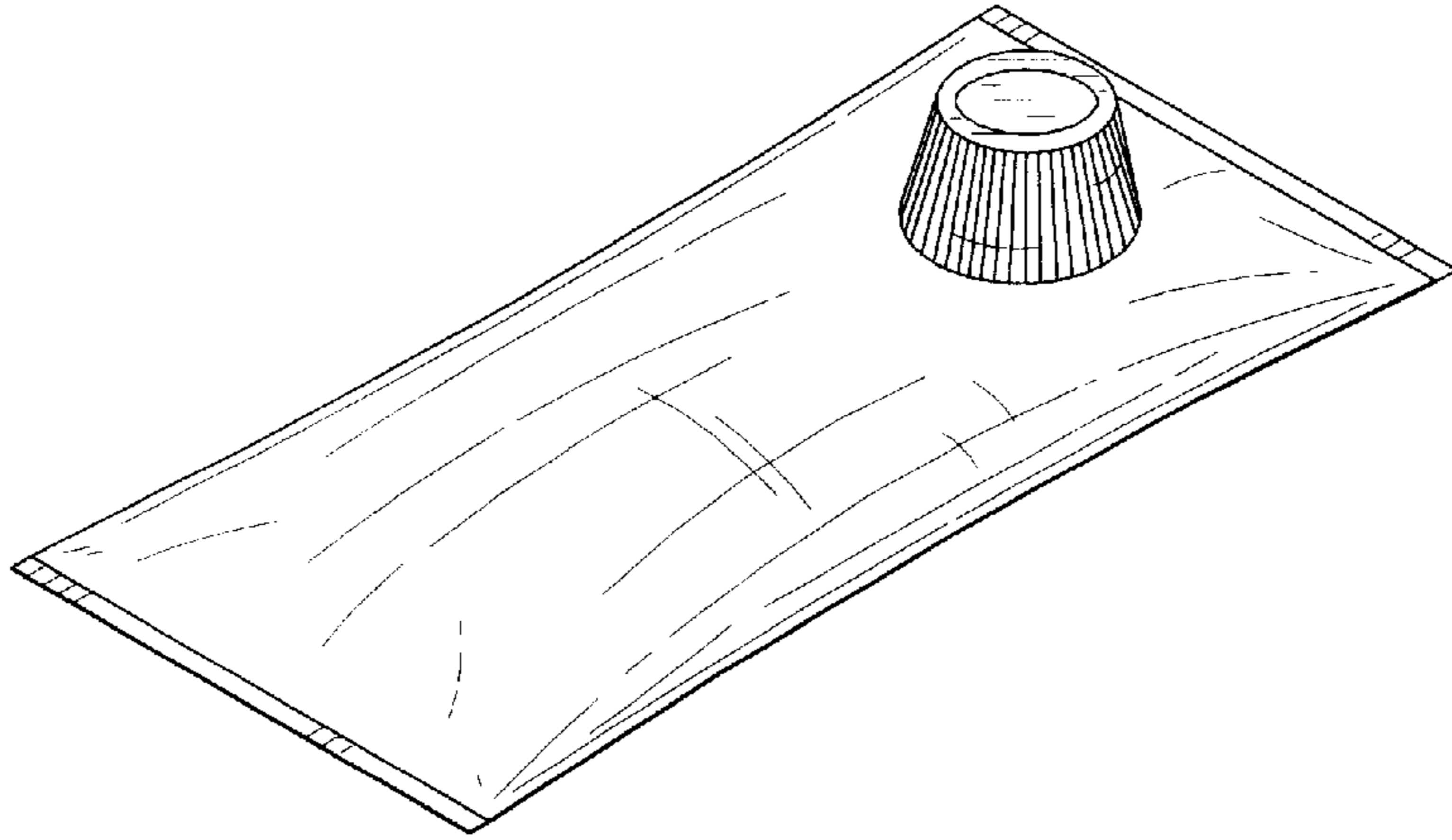


FIG. 1

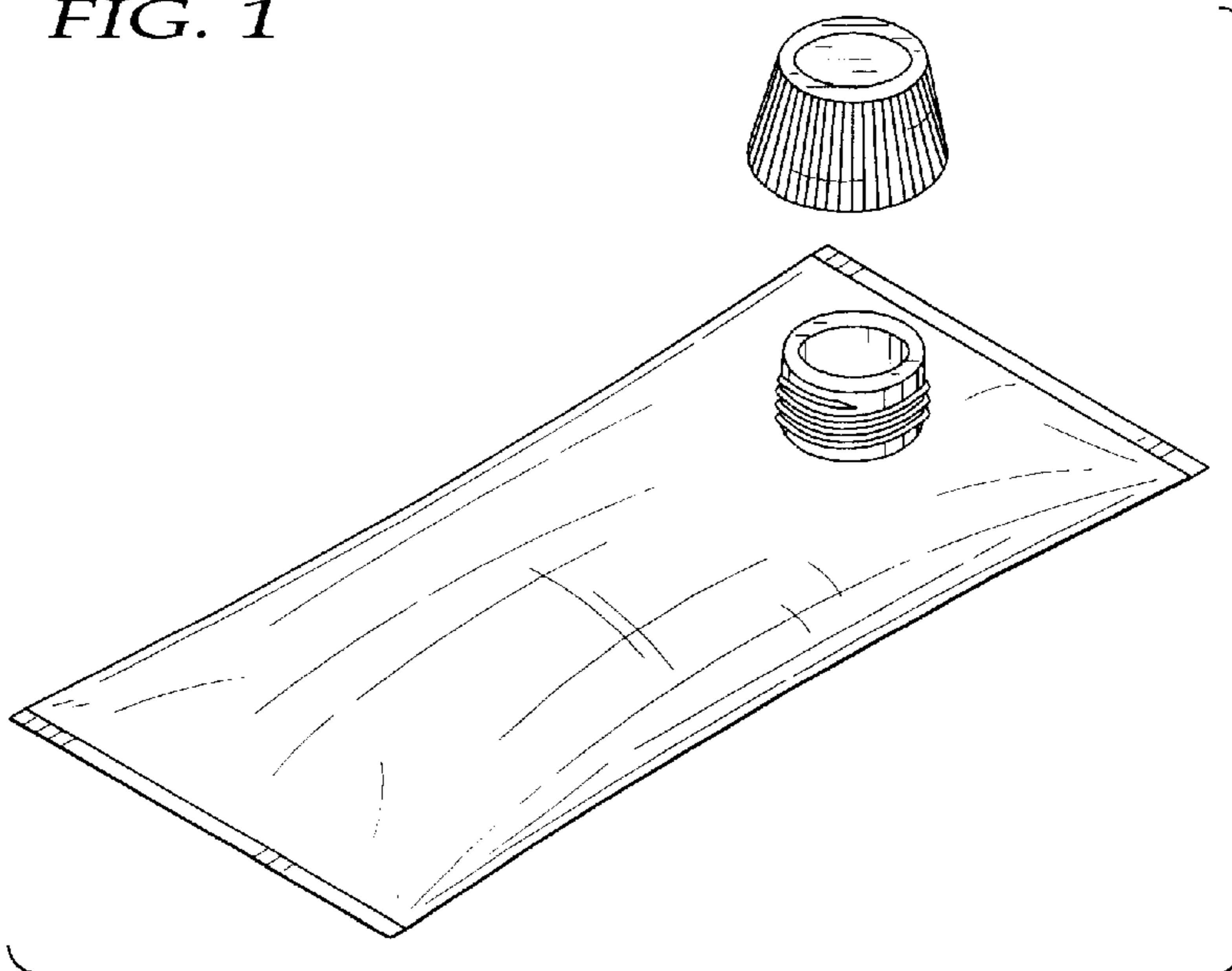


FIG. 2

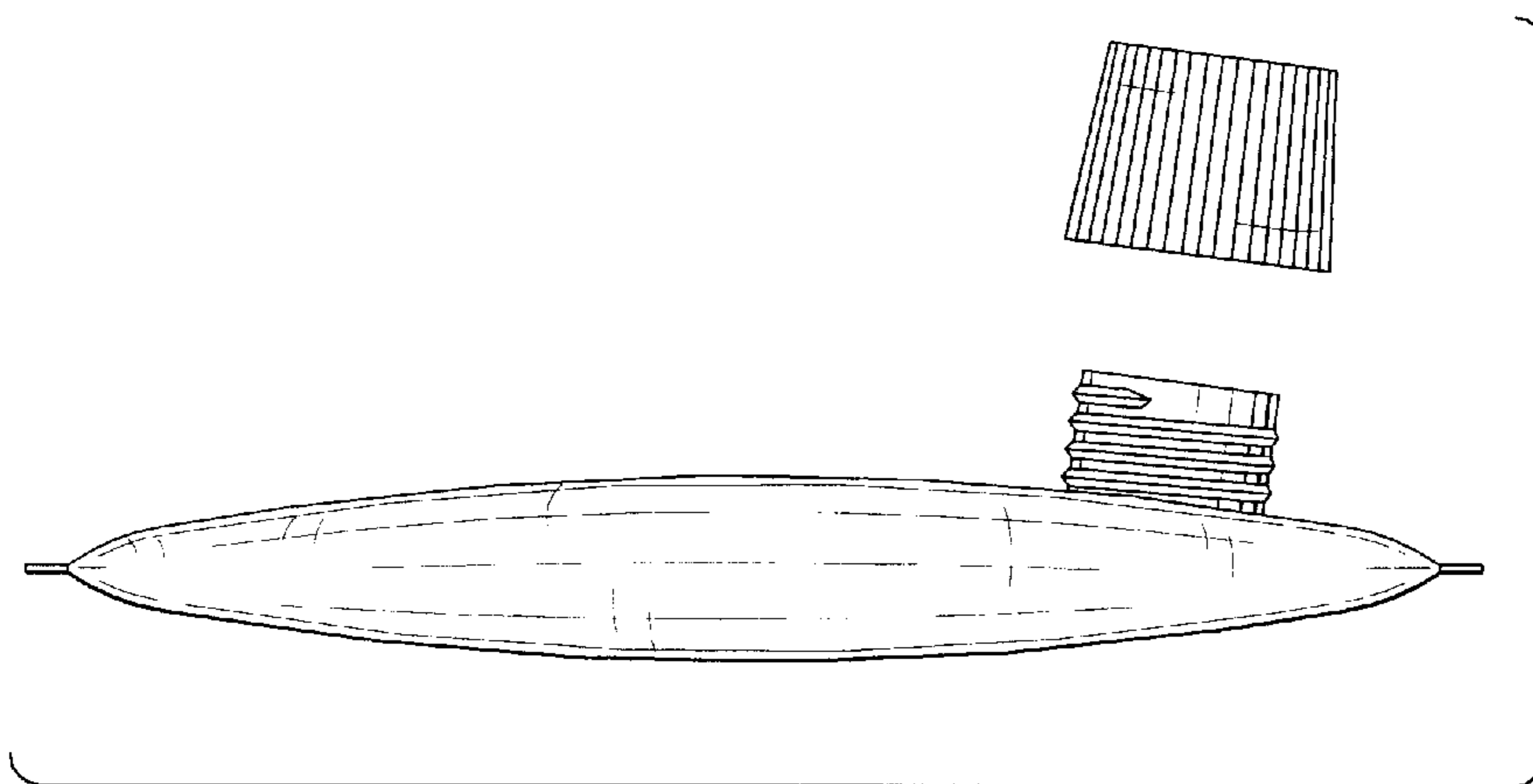


FIG. 3

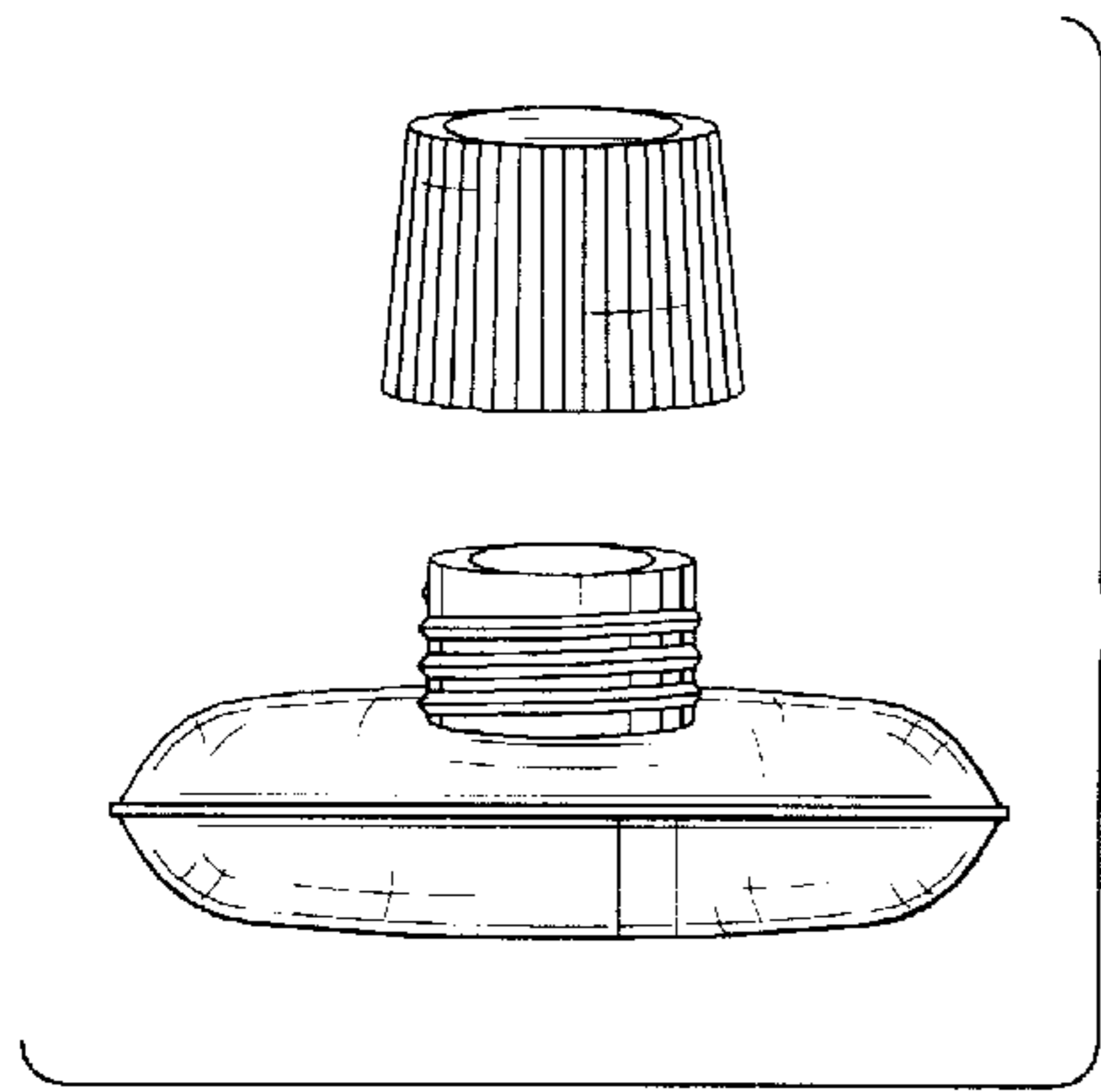


FIG. 4

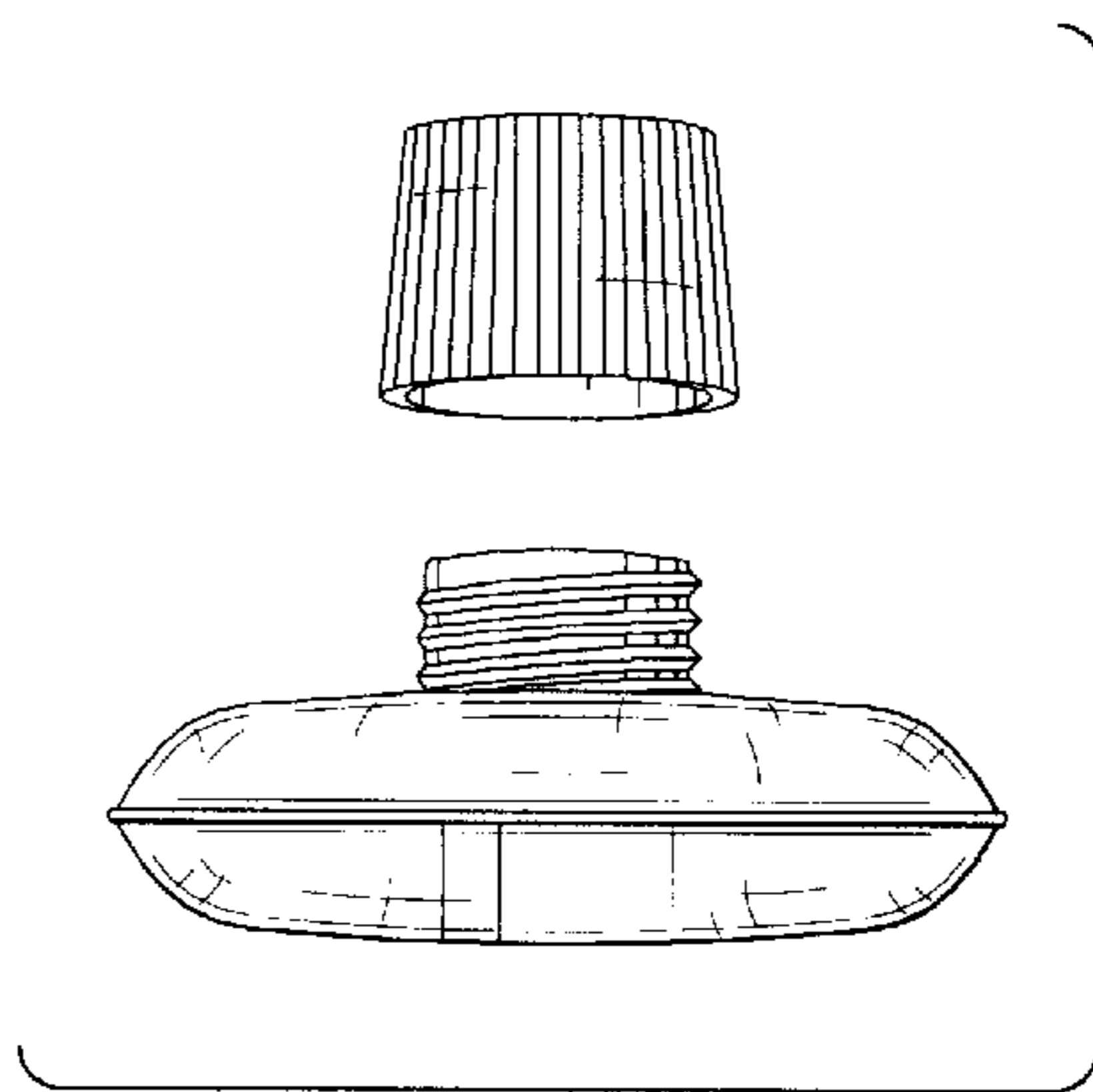


FIG. 5

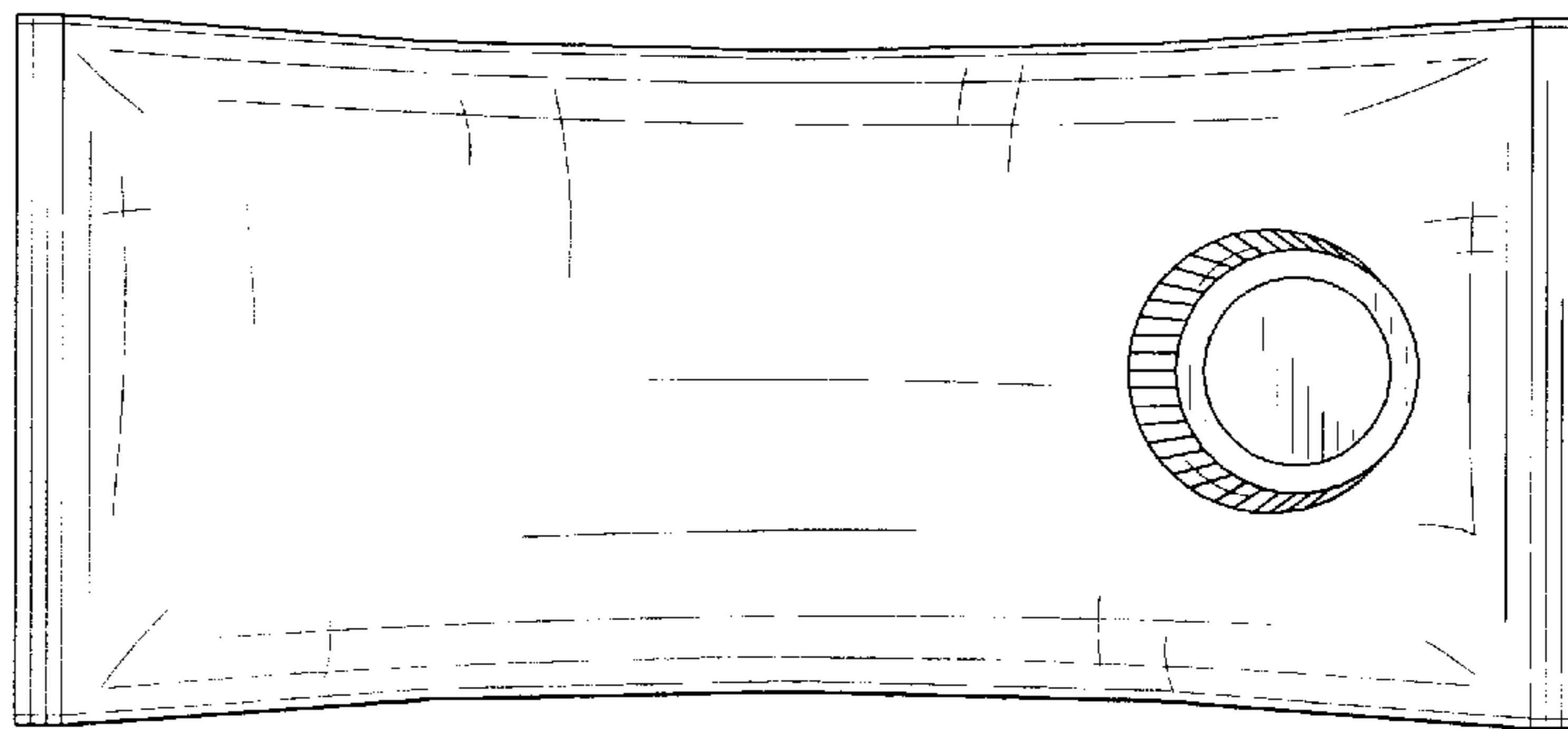


FIG. 6

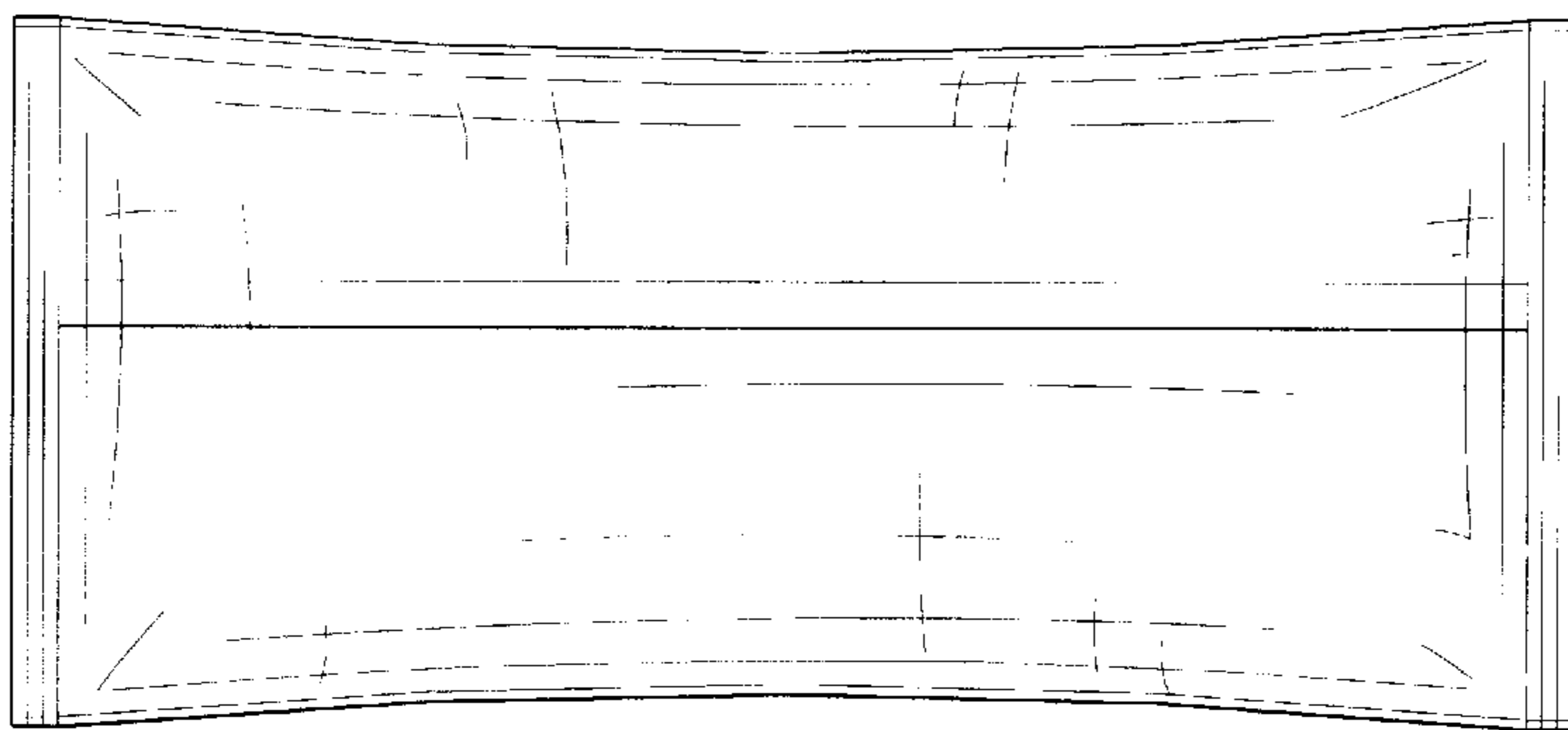


FIG. 7