



US00D436843S

(12) **United States Design Patent**
Mudryk et al.

(10) **Patent No.:** **US D436,843 S**

(45) **Date of Patent:** **** Jan. 30, 2001**

(54) **POST HINGE**

D. 367,812 * 3/1996 Spielberger et al. D8/385
D. 420,890 * 12/1998 Johnson D8/354

(75) Inventors: **Boydan Joseph Mudryk**, Seaham;
Garry David Campbell, Valentine,
both of (AU)

* cited by examiner

(73) Assignee: **Rondo Building Services Pty. Ltd.**, St.
Marys (AU)

Primary Examiner—Holly Baynham
(74) *Attorney, Agent, or Firm*—Frommer Lawrence &
Haug LLP; William S. Frommer

(**) Term: **14 Years**

(57) **CLAIM**

(21) Appl. No.: **29/110,222**

The ornamental design for “a post hinge,” as shown.

(22) Filed: **Aug. 31, 1999**

DESCRIPTION

(30) **Foreign Application Priority Data**

Mar. 8, 1999 (AU) 708/99

(51) **LOC (7) Cl.** **08-08**

(52) **U.S. Cl.** **D8/382**

(58) **Field of Search** D8/385, 387, 329,
D8/323, 354; 403/403, 295; 52/704

FIG. 1 is a perspective view of a first embodiment of the post hinge showing our new design;

FIG. 2 is a top view thereof;

FIG. 3 is a bottom view thereof;

FIG. 4 is a front/rear view thereof; and,

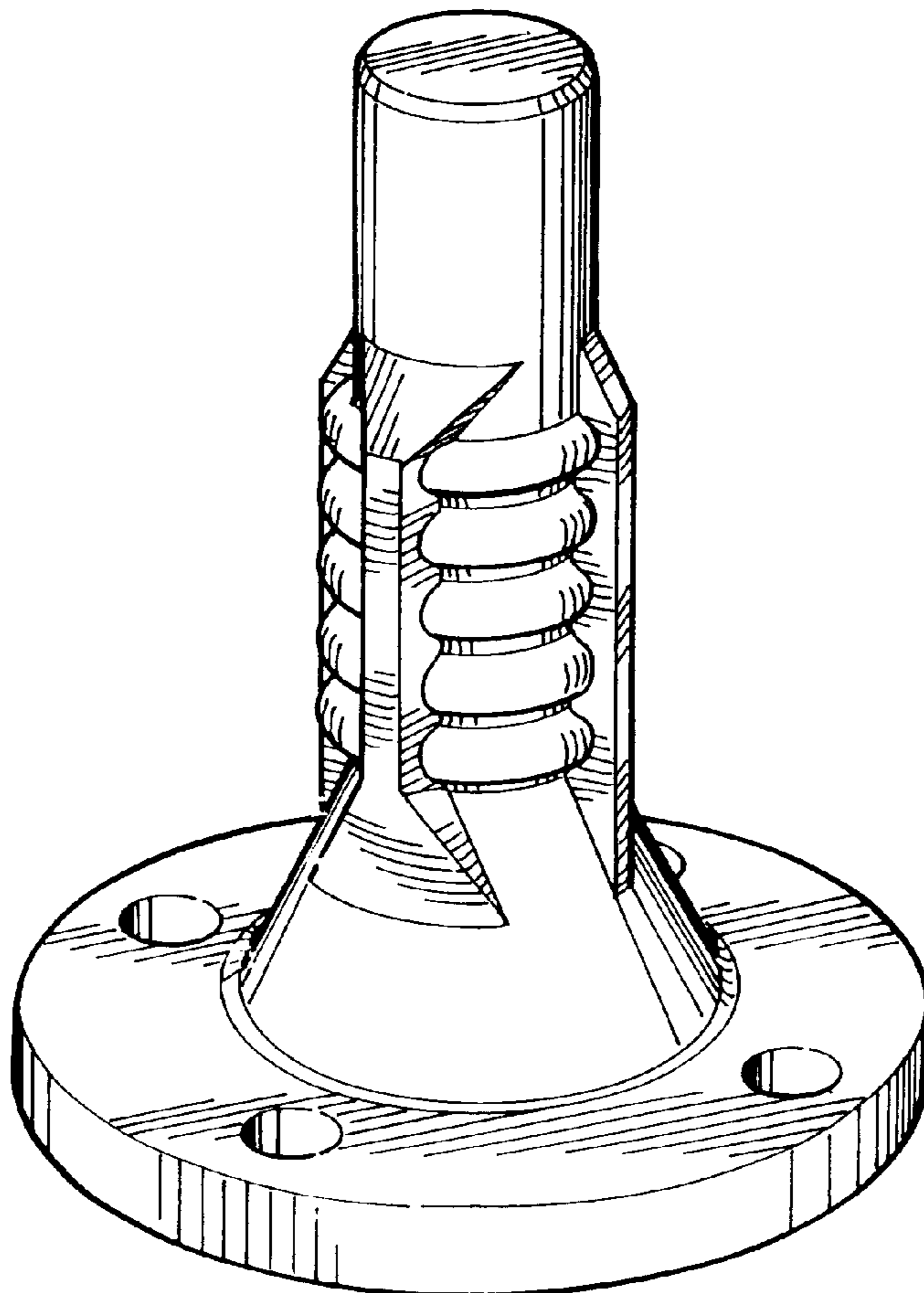
FIG. 5 is a left/right view thereof.

(56) **References Cited**

U.S. PATENT DOCUMENTS

D. 270,572 * 9/1983 Black D8/354

1 Claim, 2 Drawing Sheets



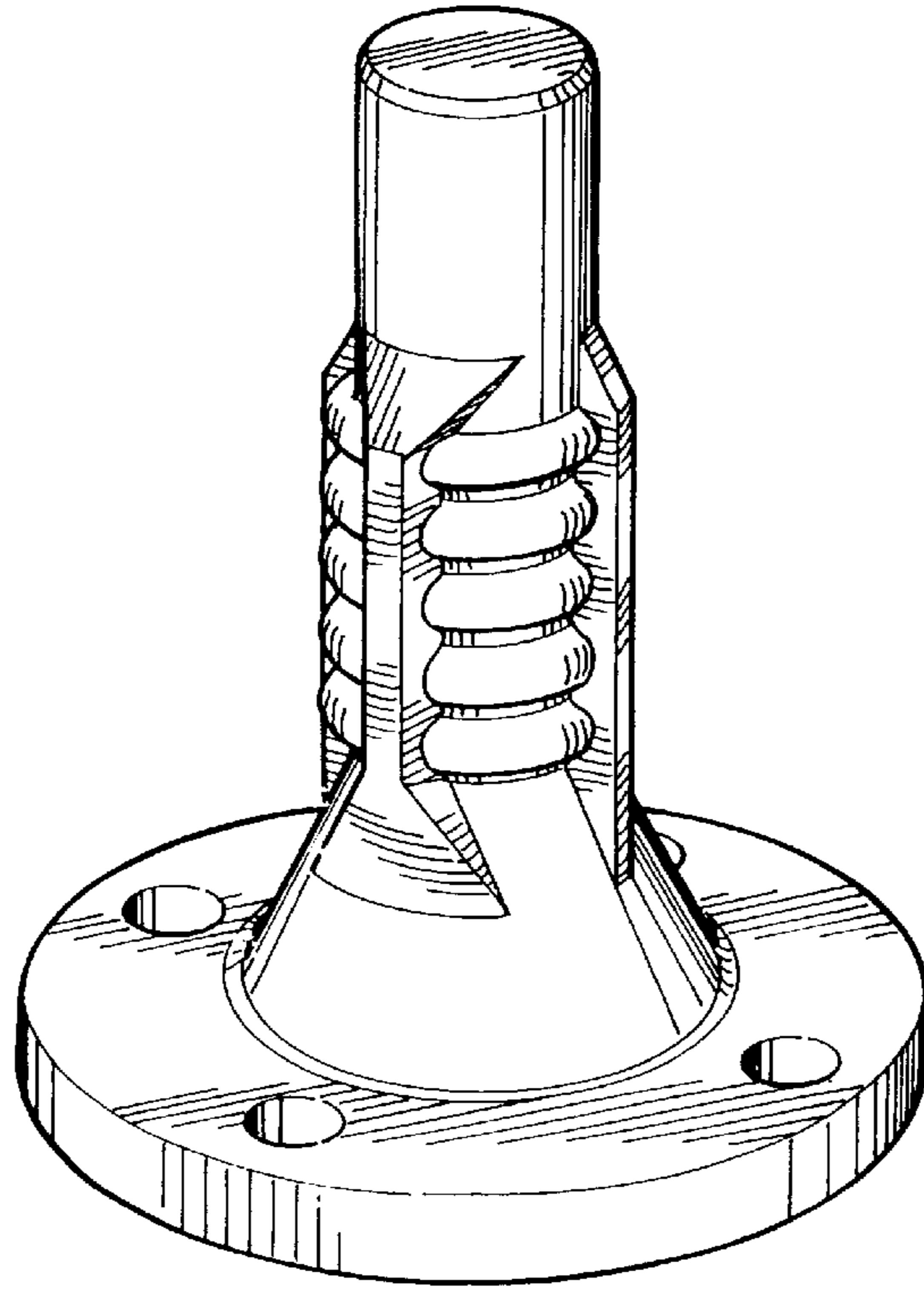


FIG. 1

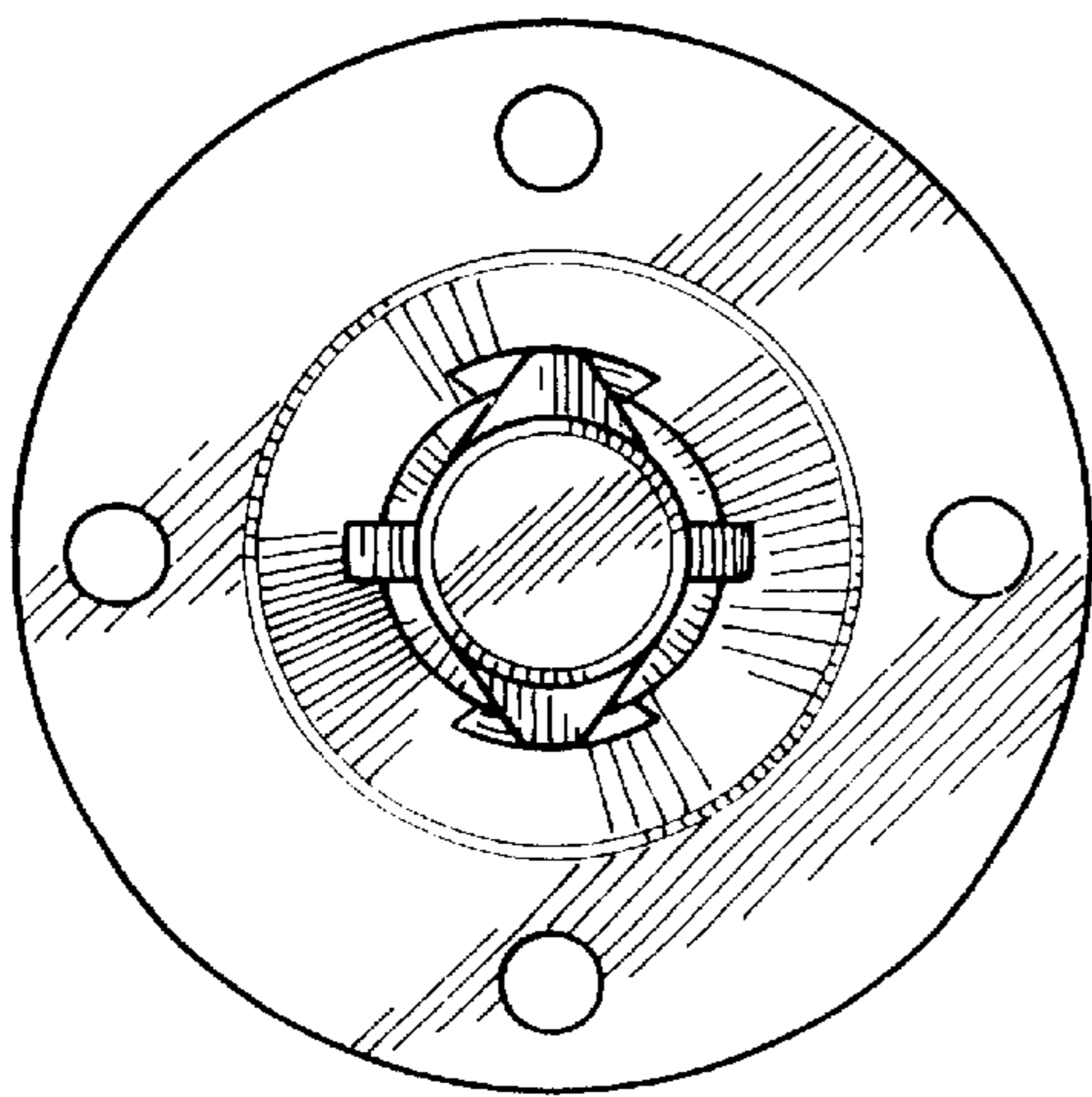


FIG. 2

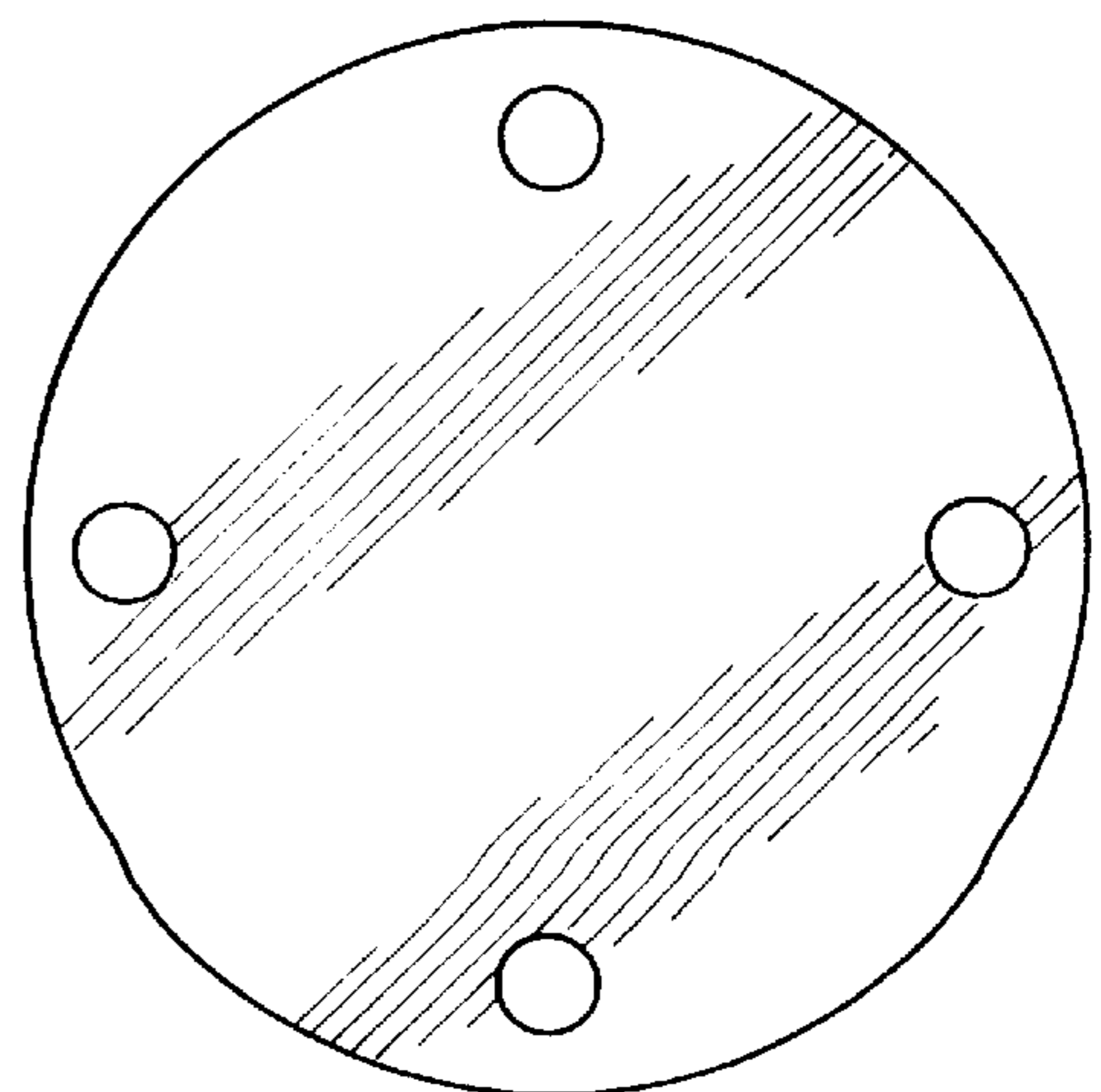


FIG. 3

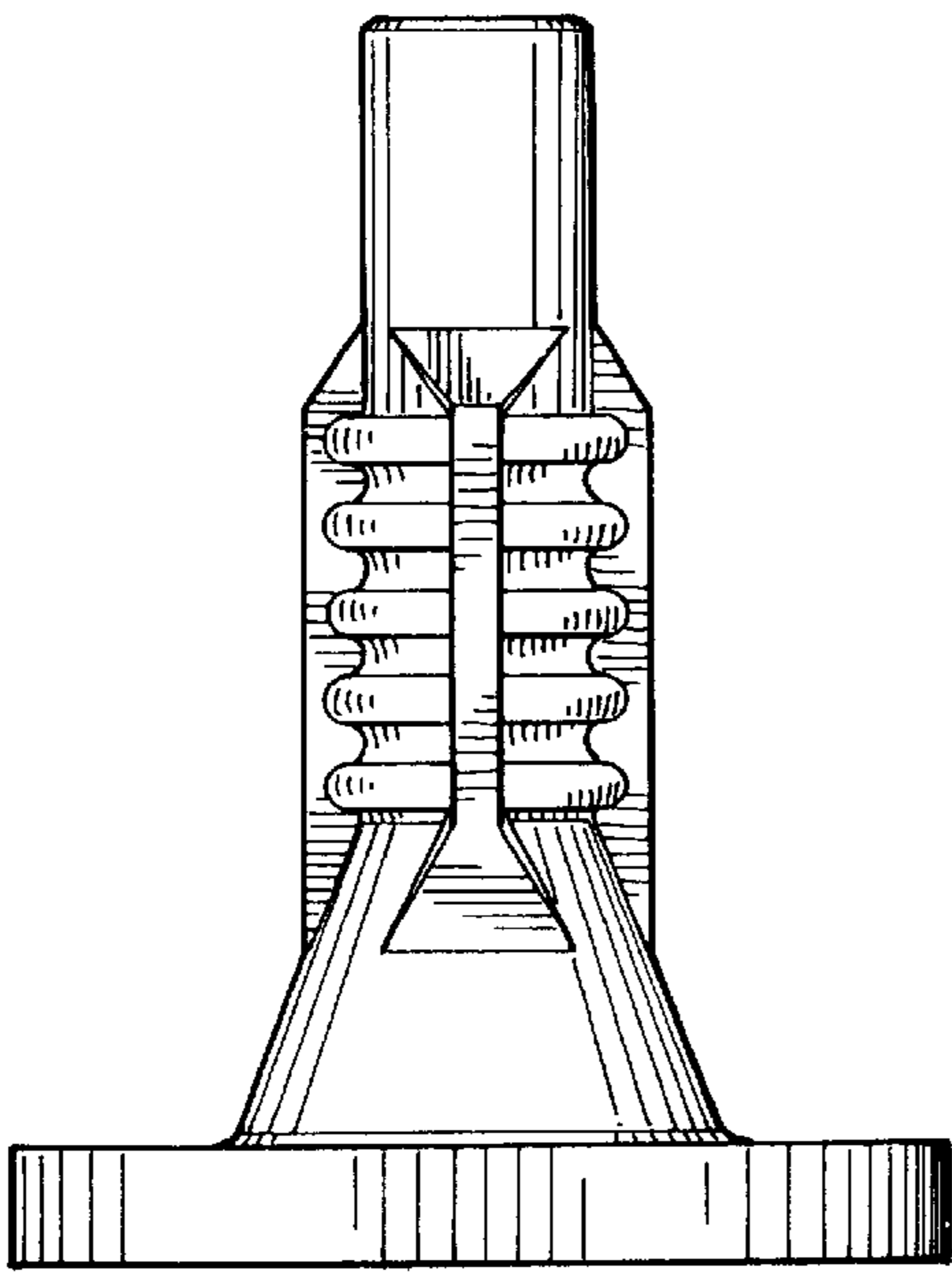


FIG. 4

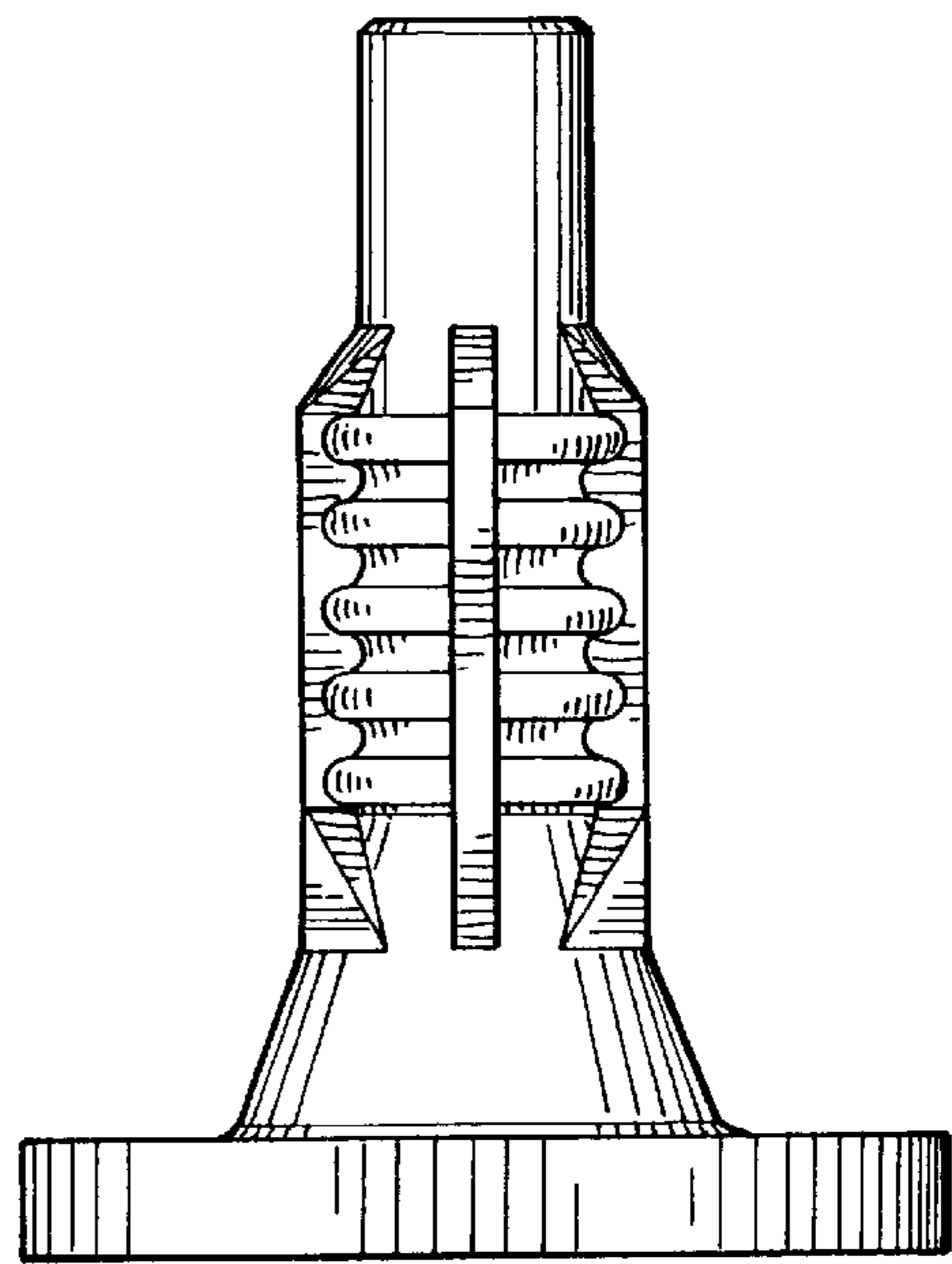


FIG. 5