



US00D436842S

(12) **United States Design Patent**  
**Anderson et al.**

(10) **Patent No.:** **US D436,842 S**

(45) **Date of Patent:** **\*\* Jan. 30, 2001**

(54) **CARRIER BODY FOR VERTICAL VANES IN ARCHITECTURAL COVERINGS**

5,996,671 \* 12/1999 Anderson et al. .... 160/173

**FOREIGN PATENT DOCUMENTS**

(76) Inventors: **Richard N. Anderson**, 9885 Melba La., Whitesville, KY (US) 42378; **Eugene W. Thompson**, 1571 Graves La., Maceo, KY (US) 42355

2246963 3/1999 (CA) .

(\*\*) Term: **14 Years**

\* cited by examiner

*Primary Examiner*—Alan P. Douglas

*Assistant Examiner*—Reid Hecker

(74) *Attorney, Agent, or Firm*—Dorsey & Whitney LLP

(21) Appl. No.: **29/100,670**

(57) **CLAIM**

(22) Filed: **Feb. 16, 1999**

We claim the ornamental design for a carrier body for vertical vanes in architectural coverings, as shown.

(51) **LOC (7) Cl.** ..... **08-08**

(52) **U.S. Cl.** ..... **D8/382**

(58) **Field of Search** ..... D8/382, 373, 377, D8/383; 160/168.1, 173, 178.1, 177

**DESCRIPTION**

(56) **References Cited**

**U.S. PATENT DOCUMENTS**

D. 413,507	*	9/1999	Wu	.....	D8/377
4,732,202	*	3/1988	Anderson	.....	160/168.1
5,038,843	*	8/1991	Sommerfeld	.....	160/168.1
5,092,386	*	3/1992	Spohr et al.	.....	160/173
5,289,863	*	3/1994	Schon	.....	160/168.1
5,392,833	*	2/1995	Ohanesian	.....	160/168.1
5,611,385	*	3/1997	Hsu	.....	160/173

FIG. 1 is an isometric looking down on the front and top of the carrier body of the present invention.

FIG. 2 is an isometric looking upwardly at the rear and bottom of the carrier body.

FIG. 3 is a top plan view.

FIG. 4 is a rear elevation.

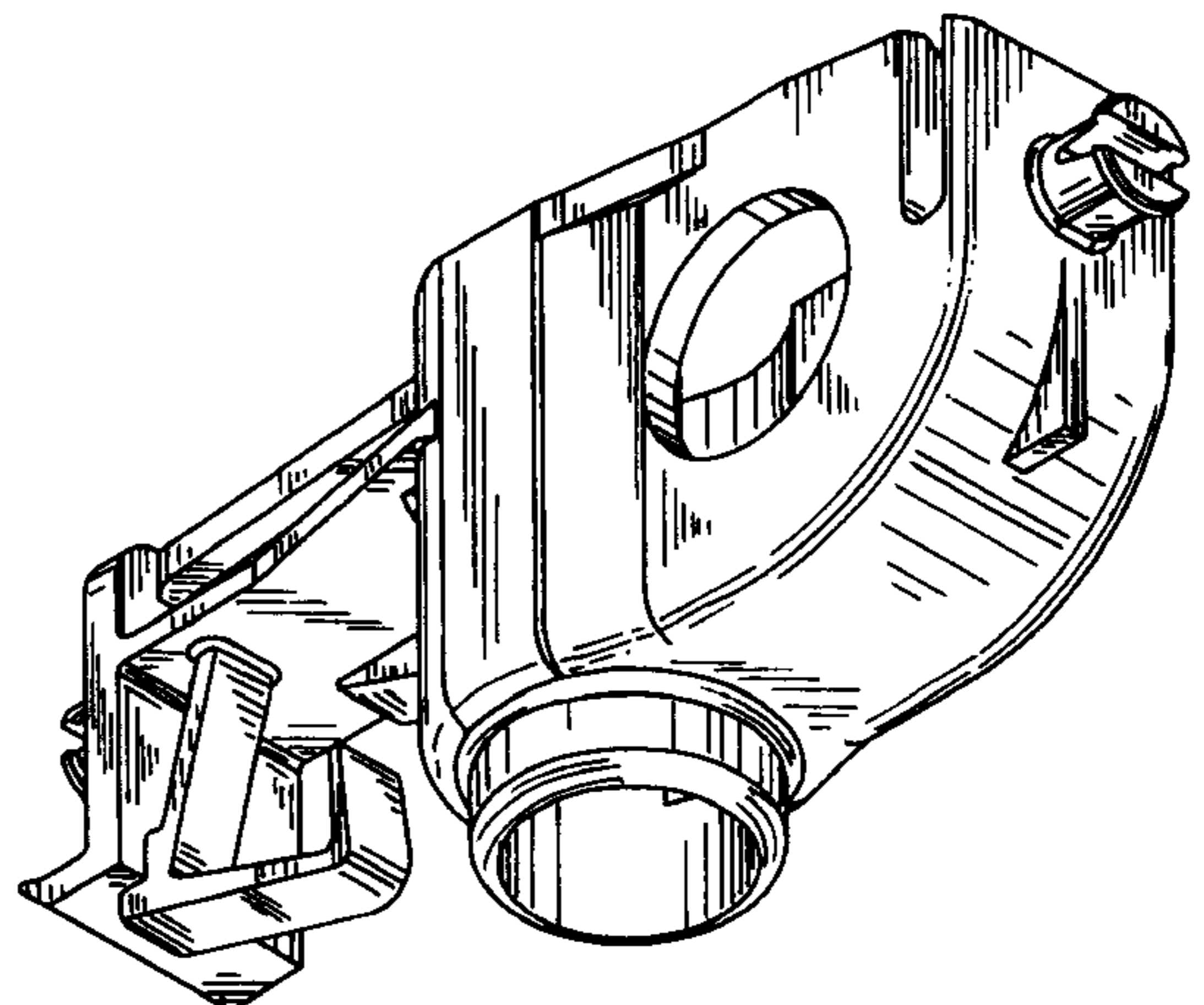
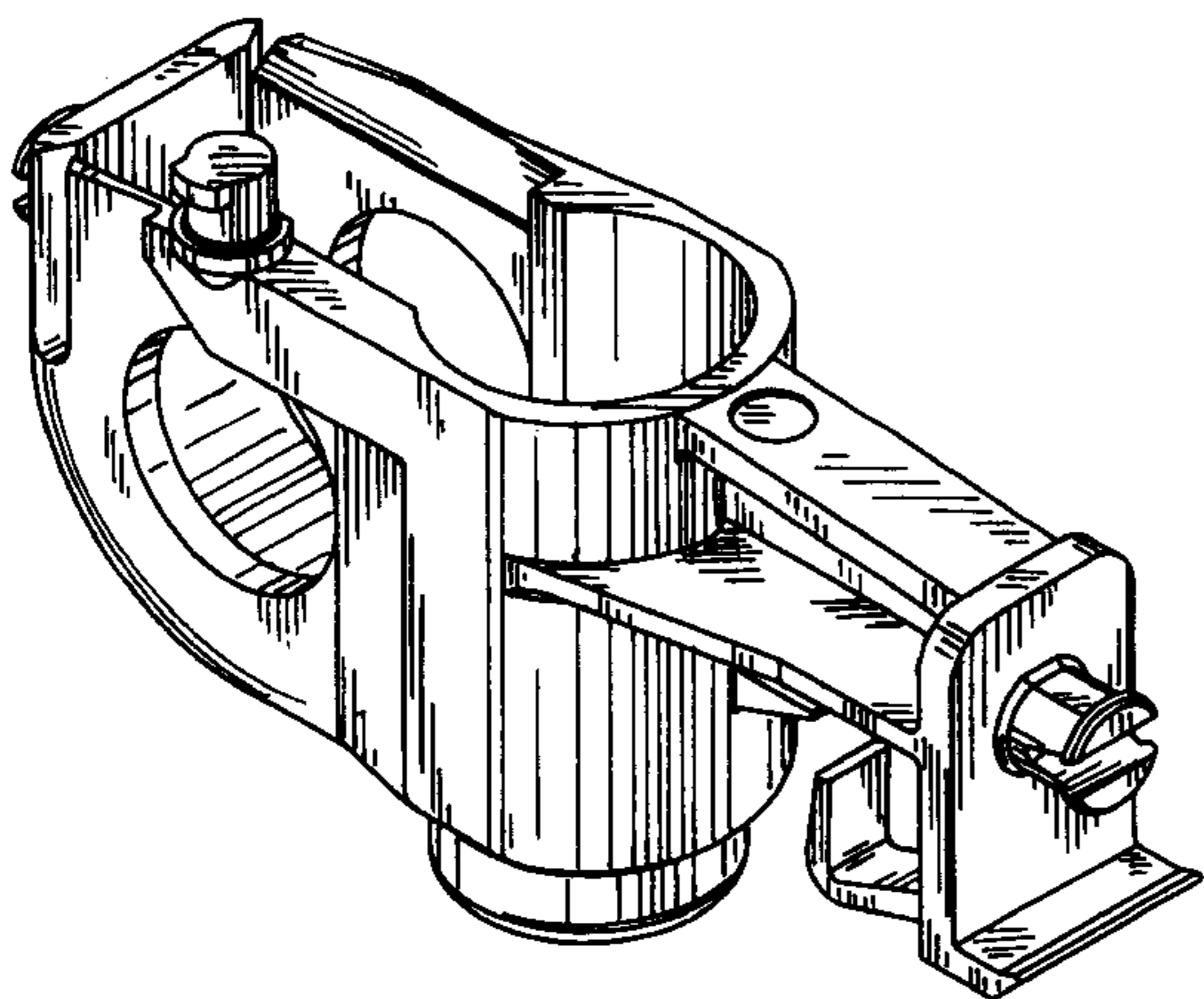
FIG. 5 is a front elevation

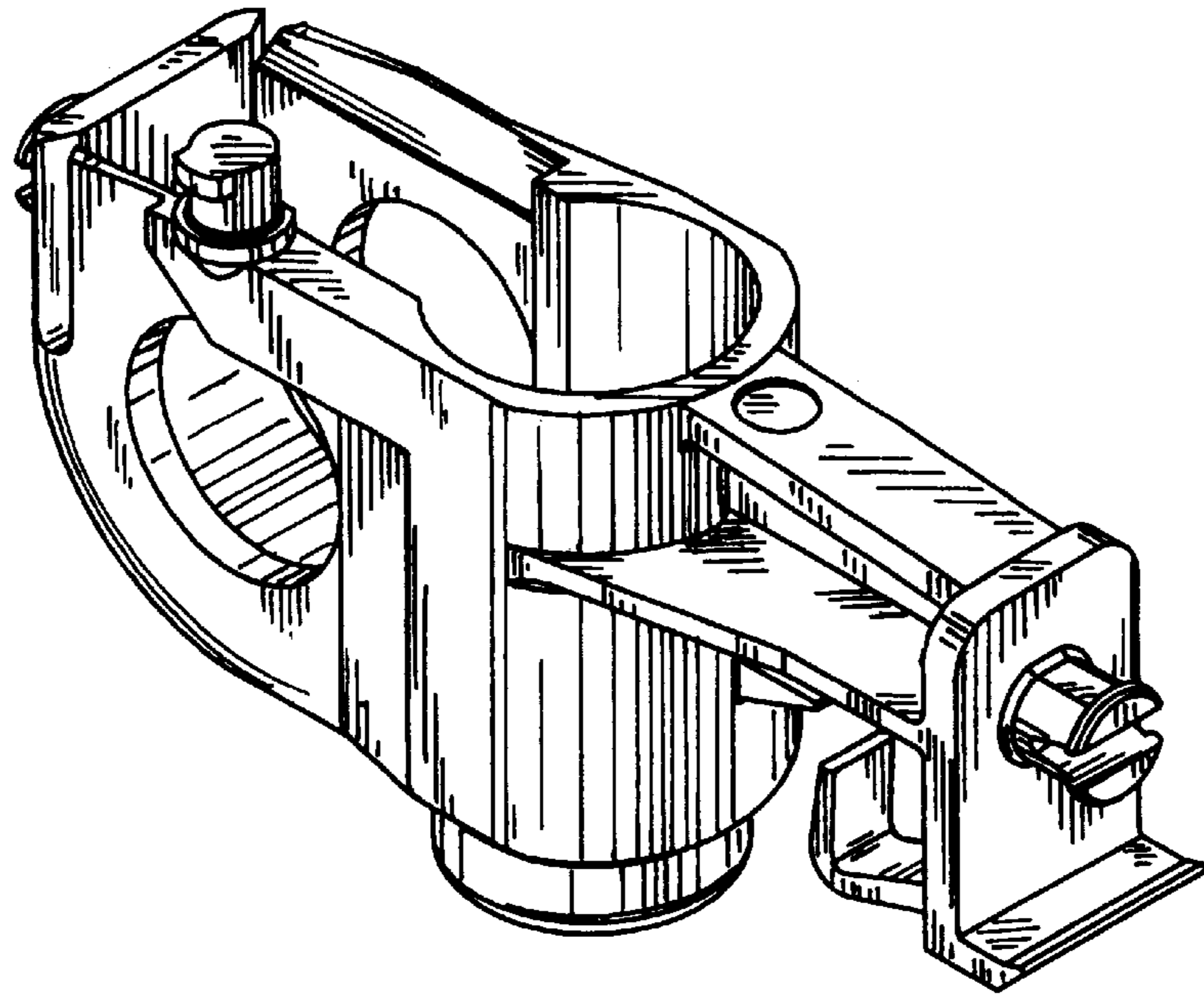
FIG. 6 is a bottom plan view.

FIG. 7 is a left side elevation; and,

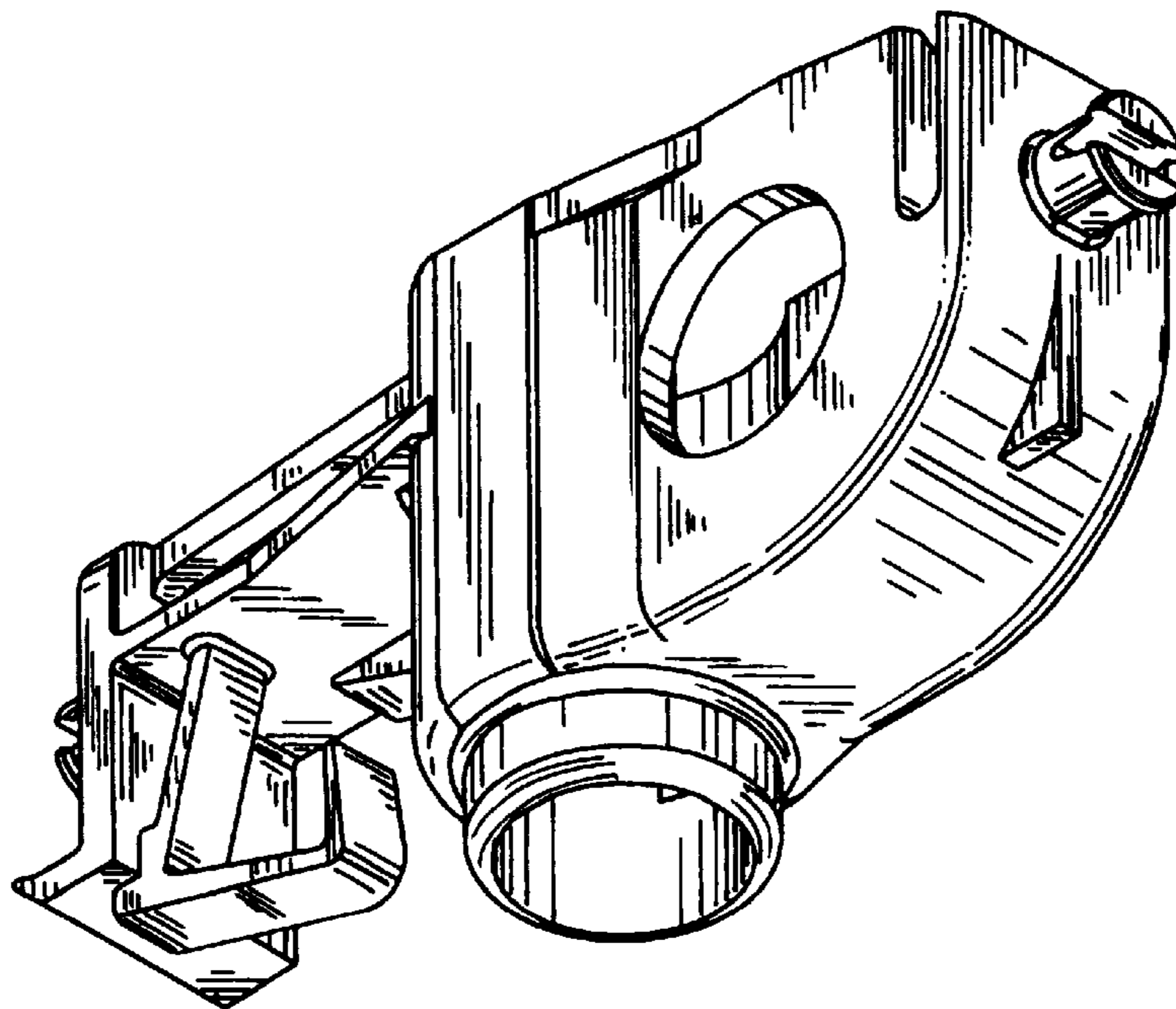
FIG. 8 is a right side elevation.

**1 Claim, 3 Drawing Sheets**

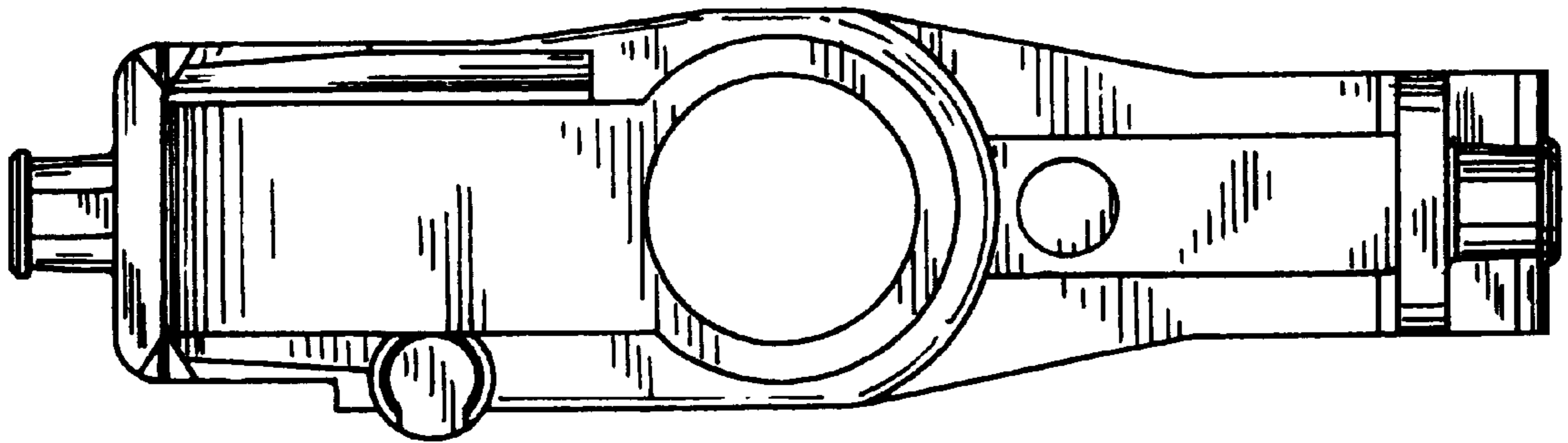




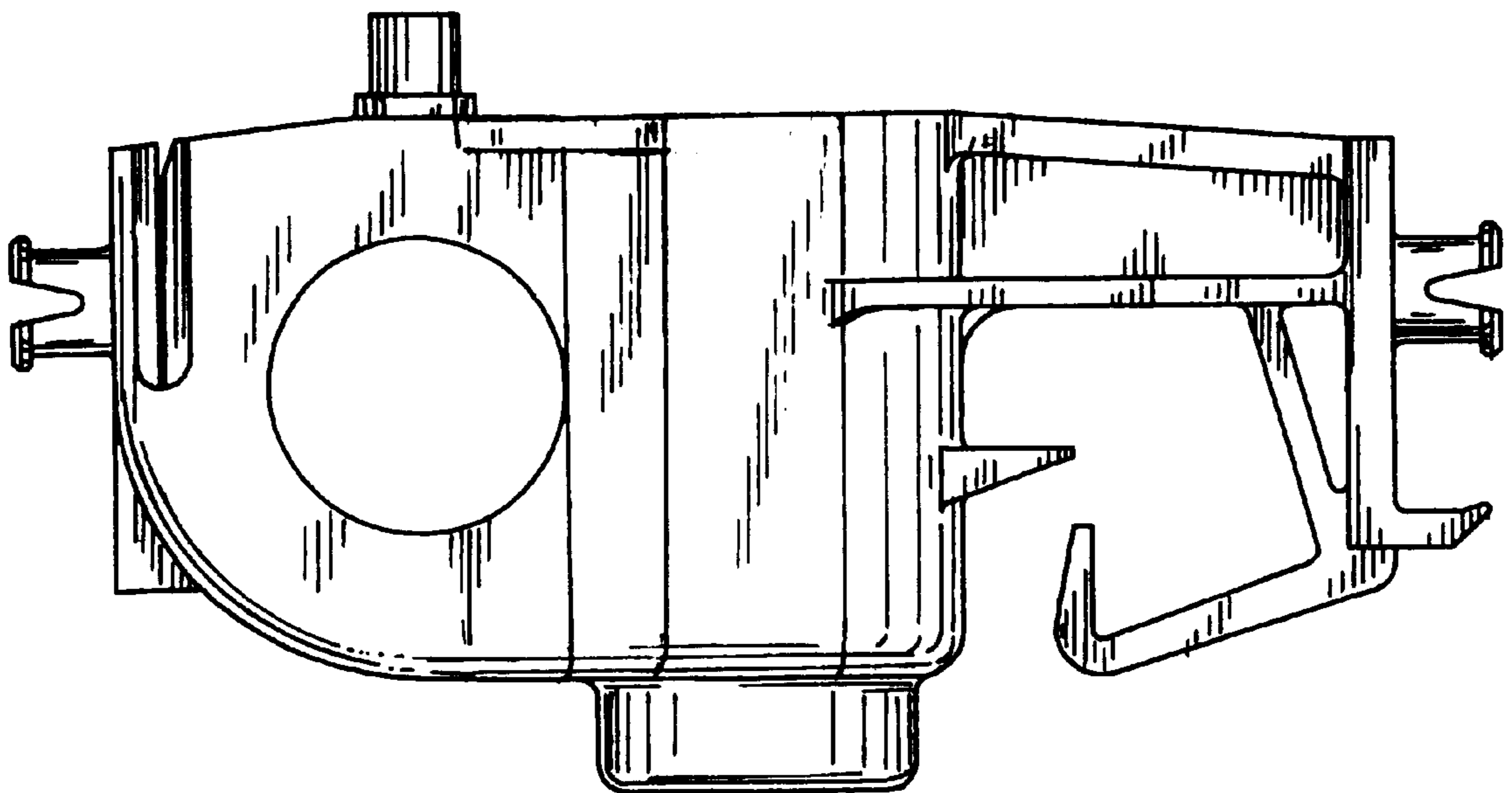
**Fig. 1**



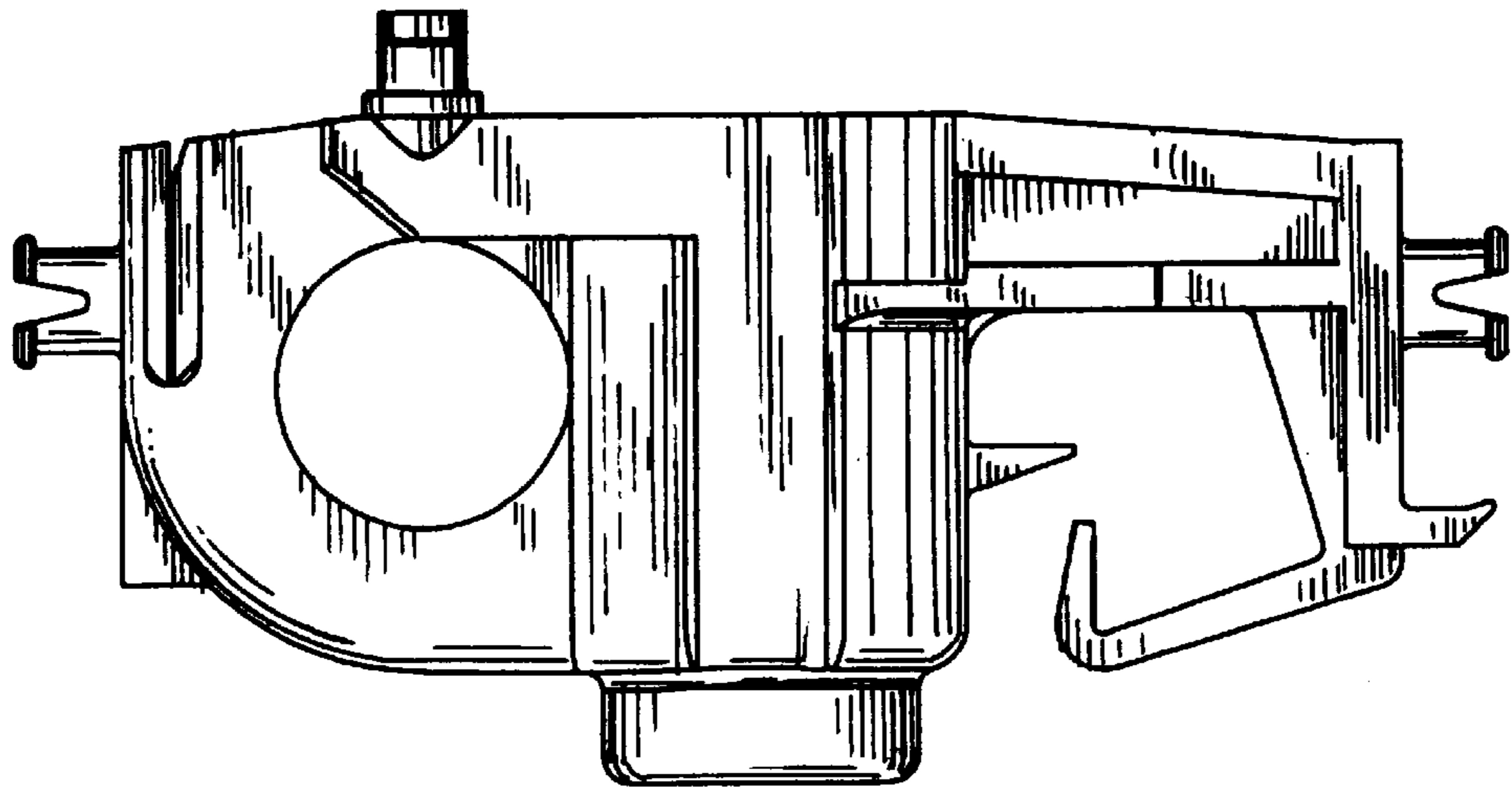
**Fig. 2**



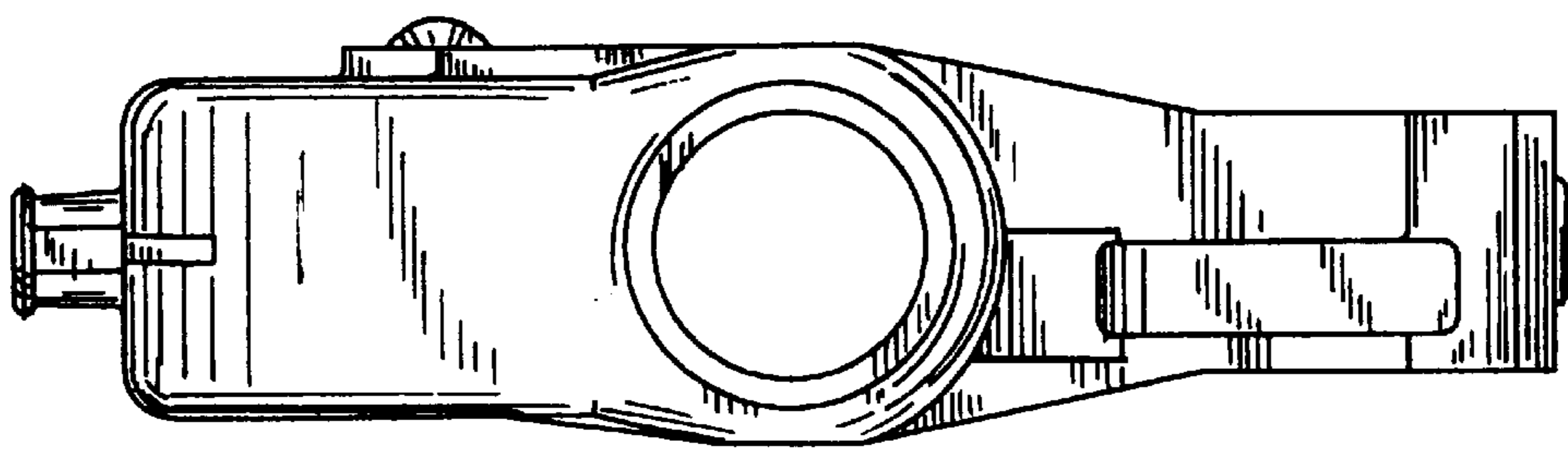
**Fig. 3**



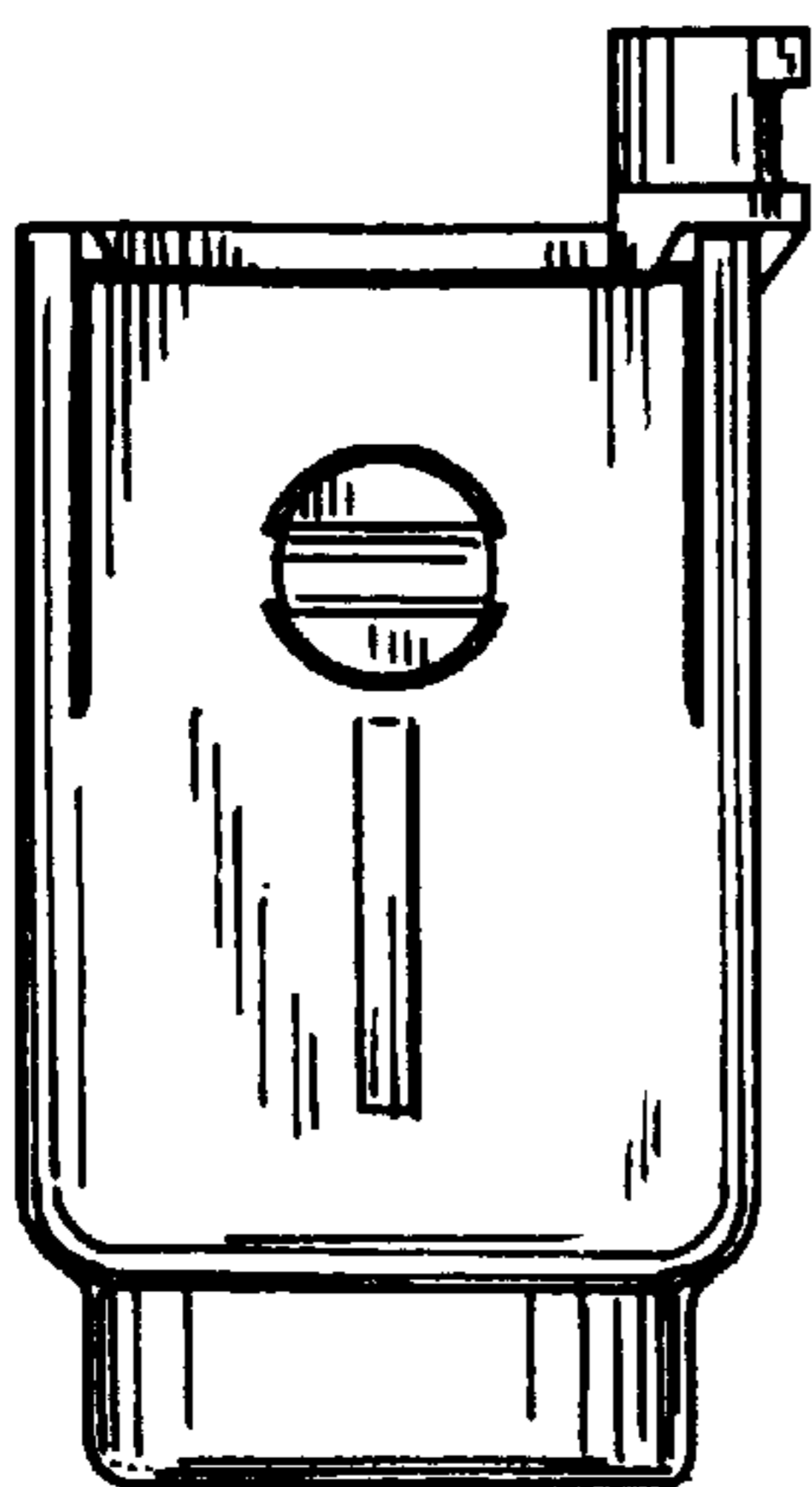
**Fig. 4**



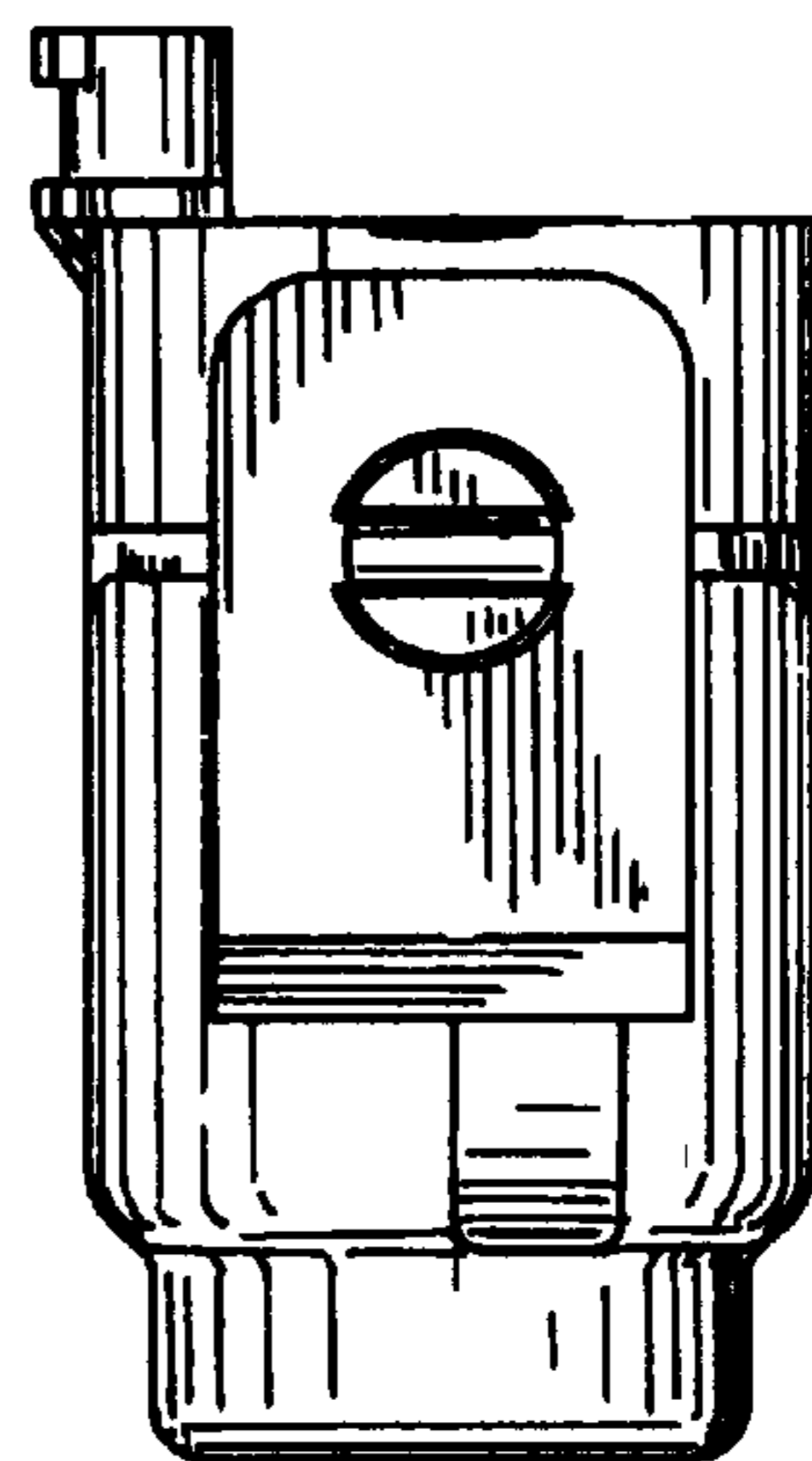
**Fig. 5**



**Fig. 6**



**Fig. 7**



**Fig. 8**