



US00D436840S

(12) **United States Design Patent** (10) **Patent No.:** **US D436,840 S**
Vogt (45) **Date of Patent:** **** Jan. 30, 2001**

(54) **PLANT HANGER**

(76) Inventor: **Paul A. Vogt**, P.O. Box 1161,
Burnsville, MN (US) 55337

(**) Term: **14 Years**

(21) Appl. No.: **29/106,936**

(22) Filed: **Jun. 25, 1999**

Related U.S. Application Data

(63) Continuation-in-part of application No. 29/083,653, filed on
Feb. 13, 1998, now Pat. No. Des. 411,737.

(51) **LOC (7) Cl.** **08-05**

(52) **U.S. Cl.** **D8/373**

(58) **Field of Search** D8/373, 367; D6/556,
D6/553; 248/317, 318, 339, 309.1, 301,
304; 211/113; 47/67

(56) **References Cited**

U.S. PATENT DOCUMENTS

D. 250,376	*	11/1978	Schoenbrun	D6/513
4,440,371	*	4/1984	Wijsman	248/318
4,592,166	*	6/1986	Tendrup et al.	47/67
5,779,210	*	7/1998	Canson et al.	248/318
5,836,109	*	11/1998	Kunz et al.	47/67

* cited by examiner

Primary Examiner—Holly Baynham

(74) *Attorney, Agent, or Firm*—D. L. Tschida

(57) **CLAIM**

The ornamental design for a plant hanger, as shown and described.

DESCRIPTION

FIG. 1 is a front view showing my new design of a plant hanger and wherein the flower pot comprises no part of the invention; The broken line showing of a flower pot is for illustrative purposes only and forms no part of the claimed design.

FIG. 2 is a front view thereof shown in exploded assembly; FIG. 3 is a top plan view thereof; and FIG. 4 is a bottom plan view thereof.

FIG. 5 is a front view to a first alternative embodiment of my plant hanger and wherein the top and bottom views are identical to FIGS. 3 and 4.

FIG. 6 is a front view to a second alternative embodiment of my plant hanger and wherein the top and bottom views are identical to FIGS. 3 and 4.

FIG. 7 is a front view to a third alternative embodiment of my plant hanger and wherein the flower pot comprises no part of the invention; The broken line showing of a flower pot is for illustrative purposes only and forms no part of the claimed design.

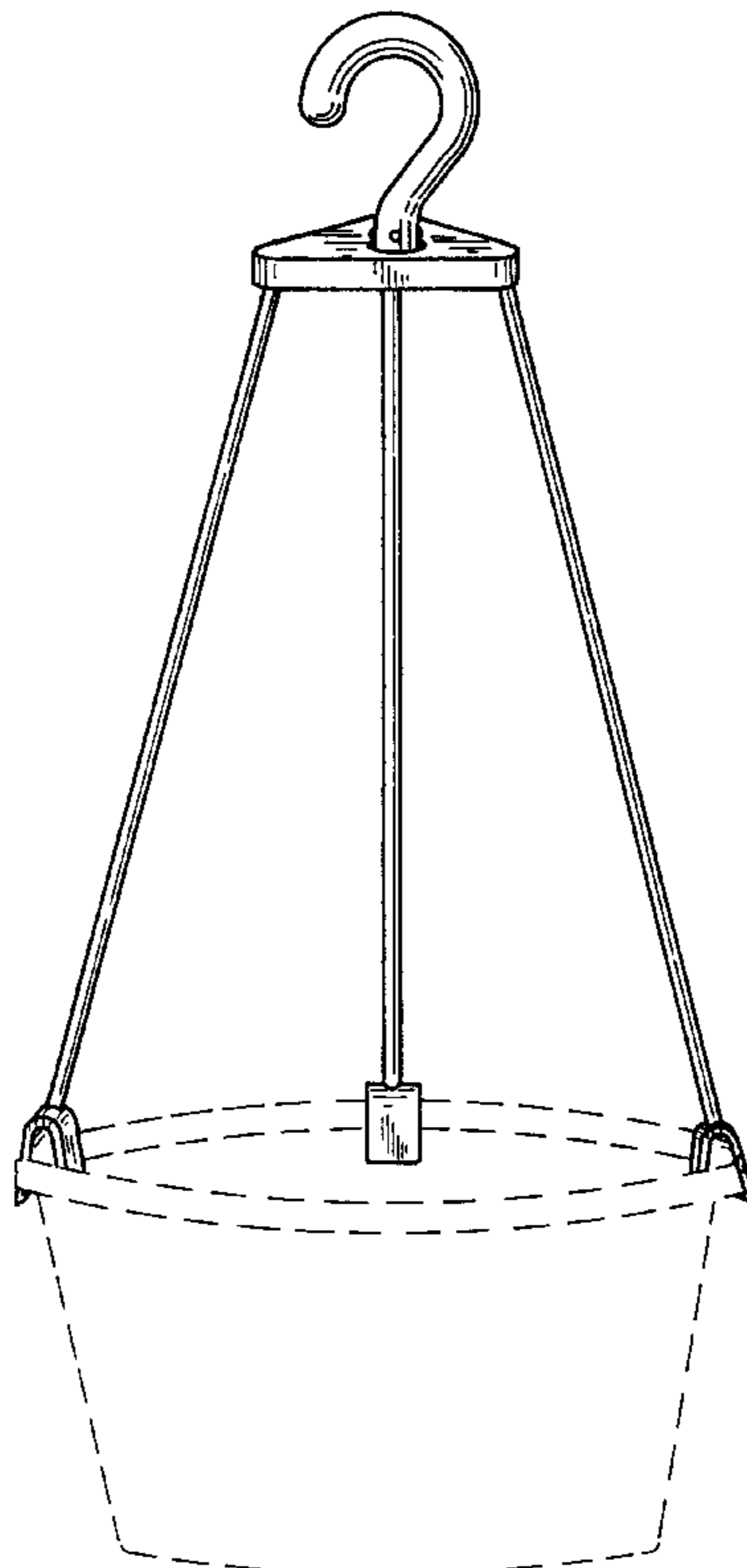
FIG. 8 is a front view to a third alternative embodiment of my plant hanger shown in exploded assembly;

FIG. 9 is a top view thereof; and,

FIG. 10 is a bottom view thereof.

The hook portion of the claimed design in FIGS. 2, 5, 6 and 8 are shown detached for clarity of illustration.

1 Claim, 4 Drawing Sheets



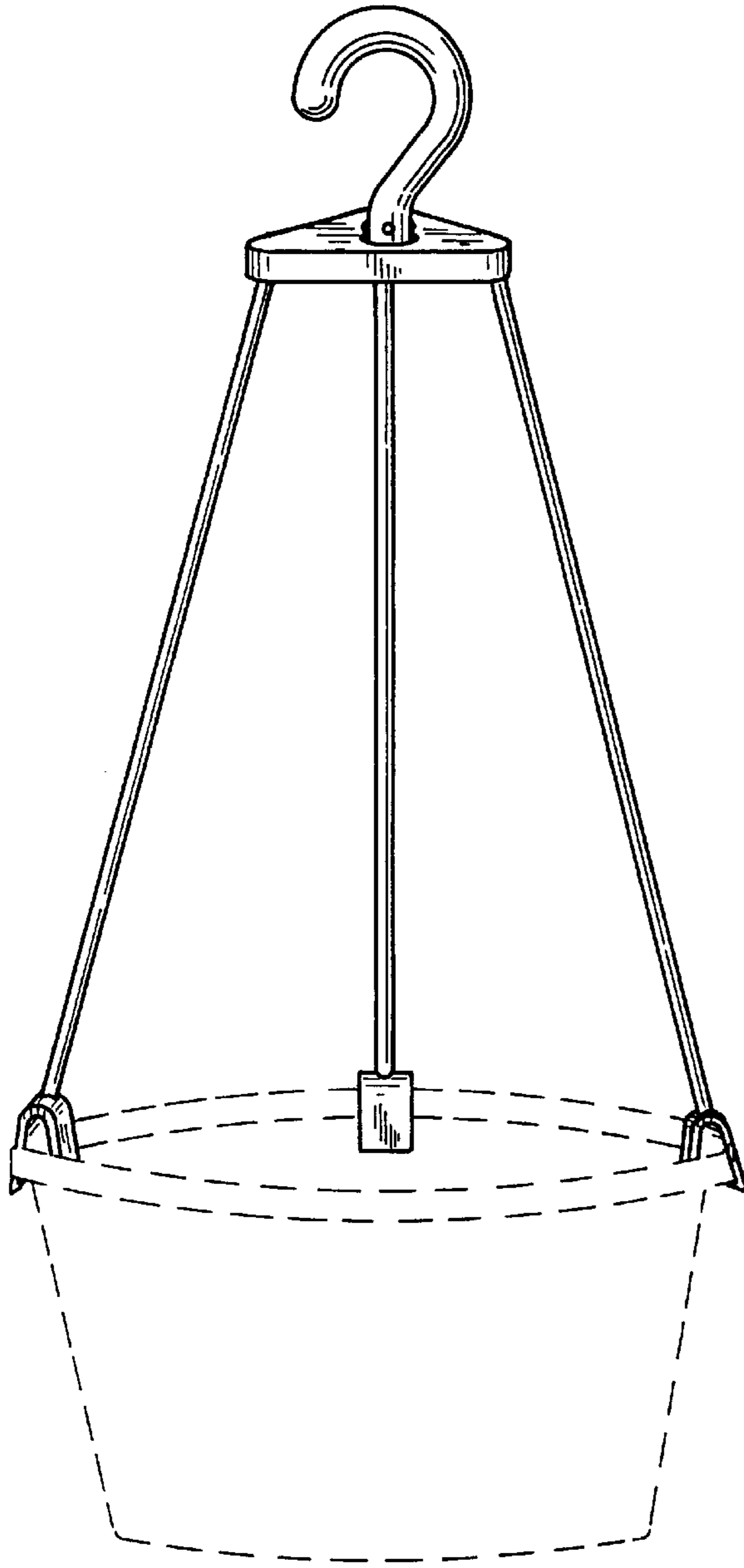


FIG. 1

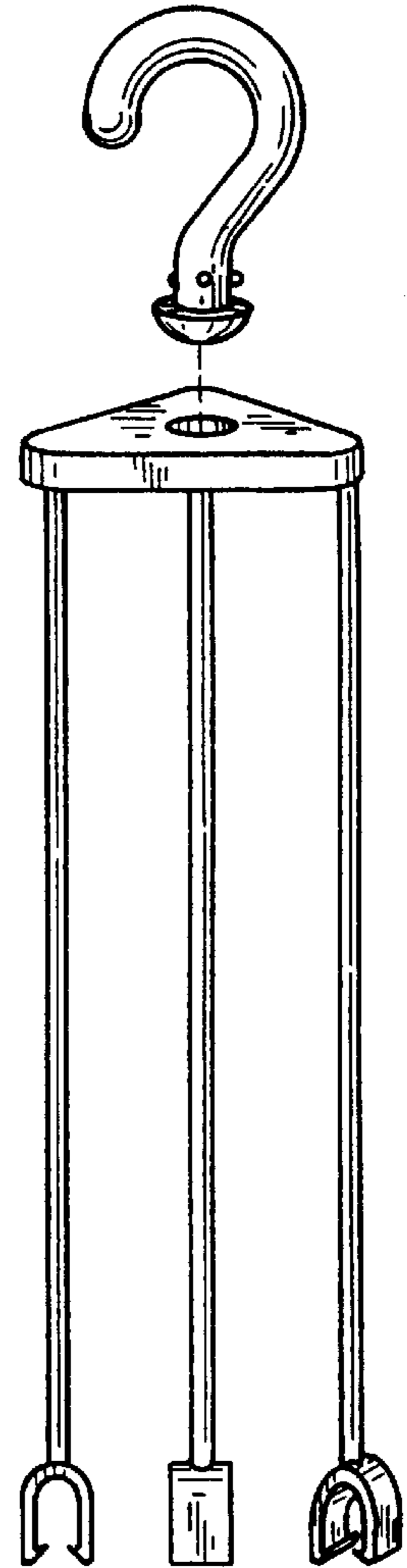


FIG. 2

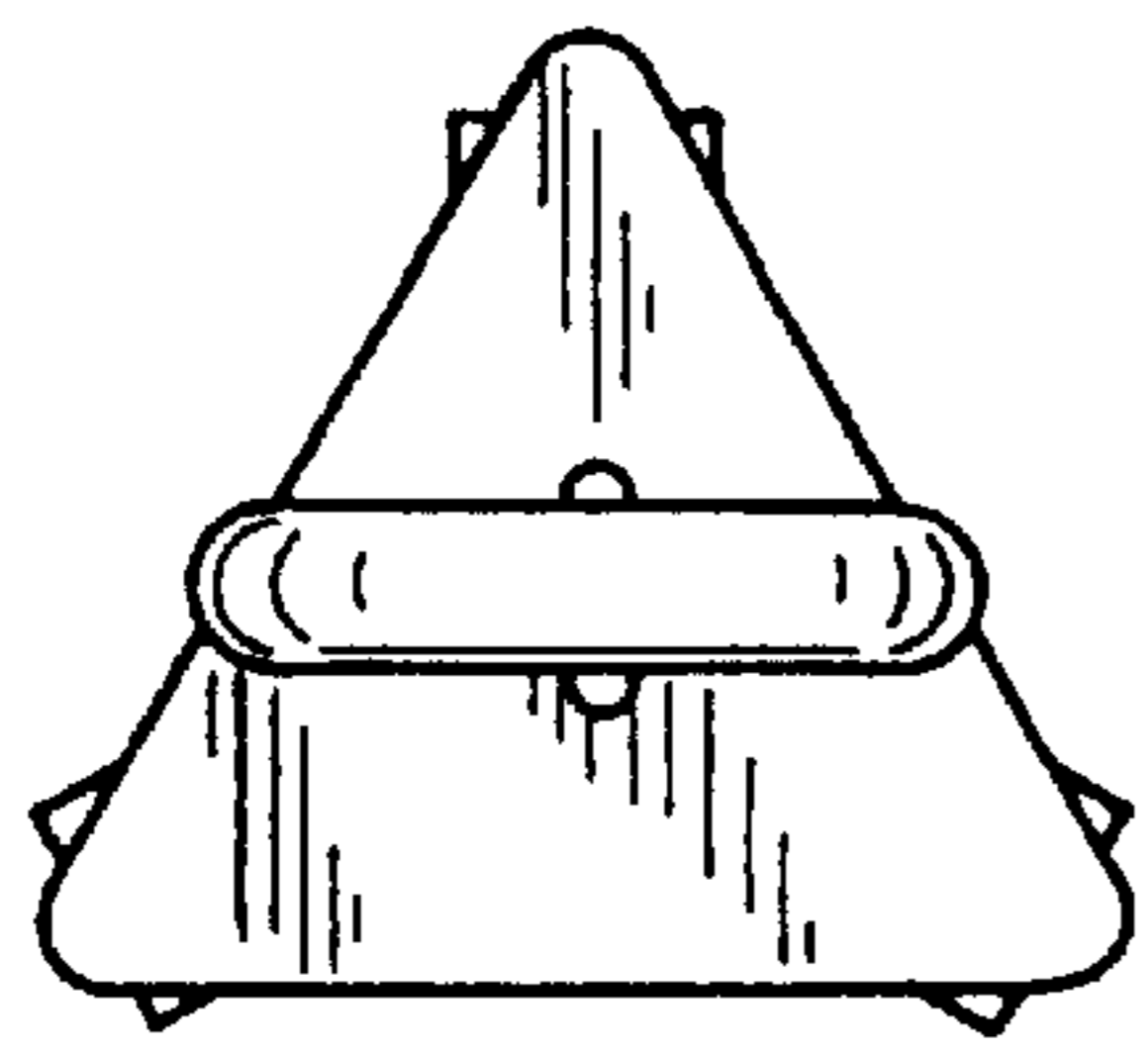


FIG. 3

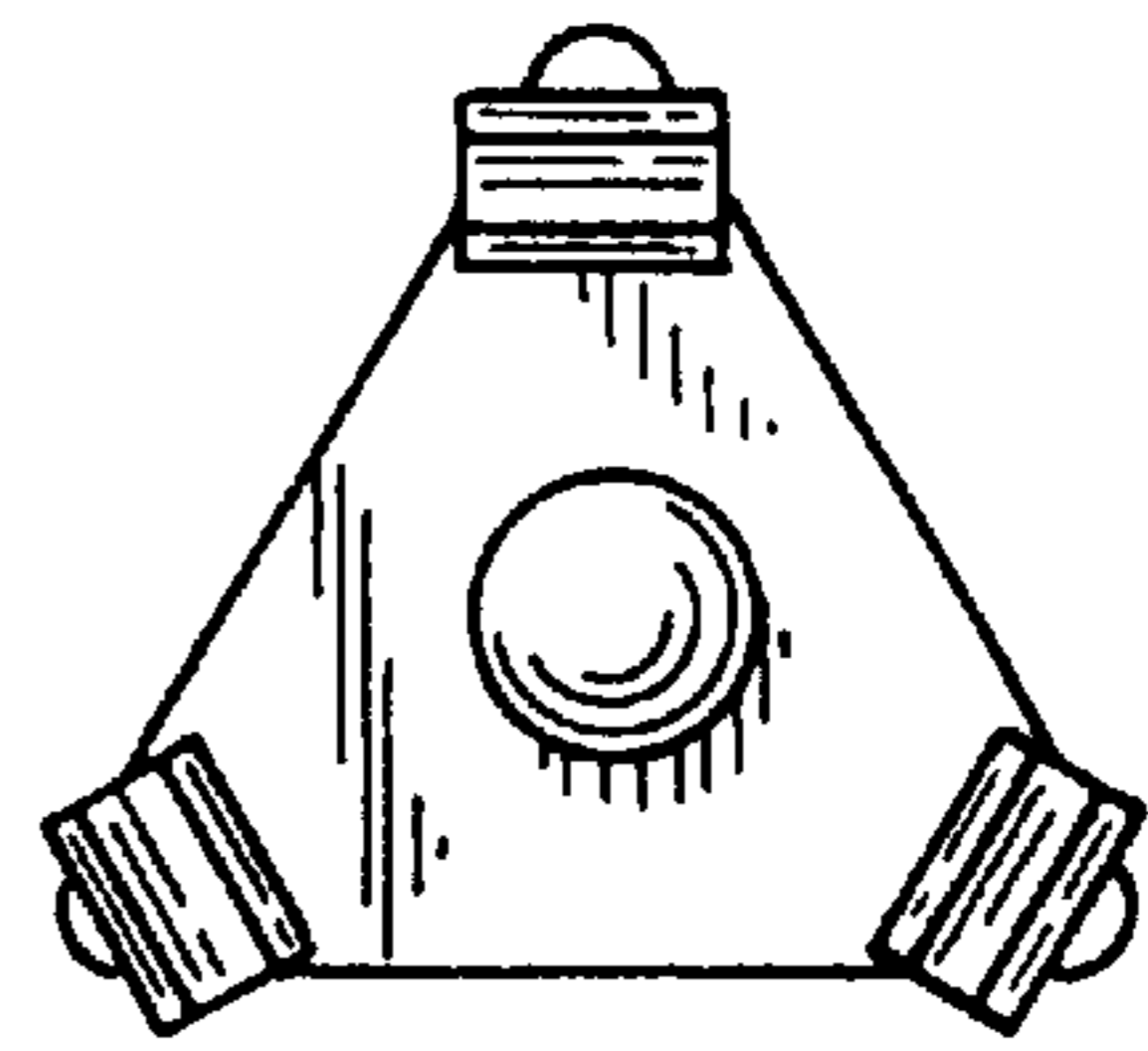


FIG. 4

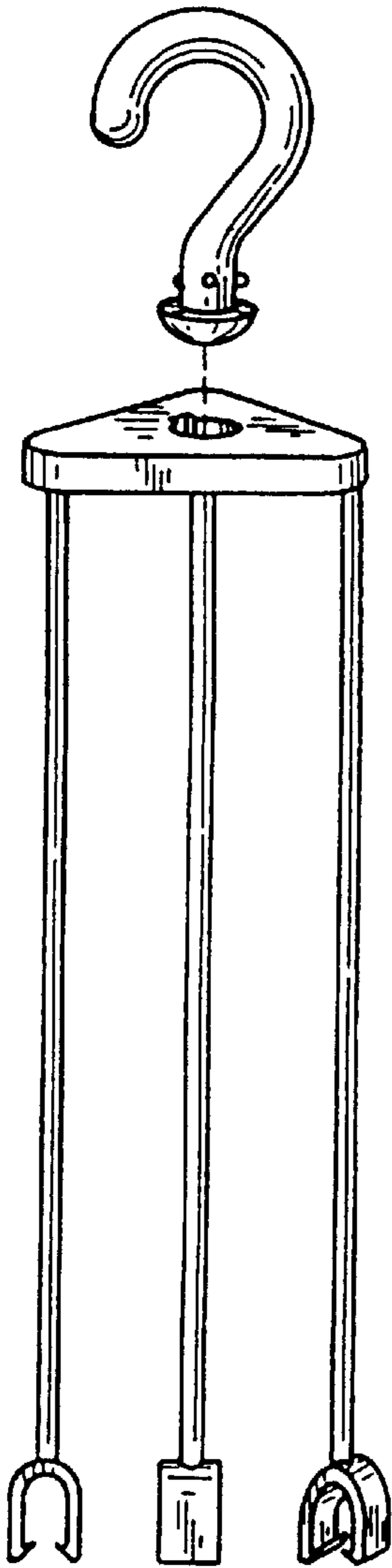


FIG. 5

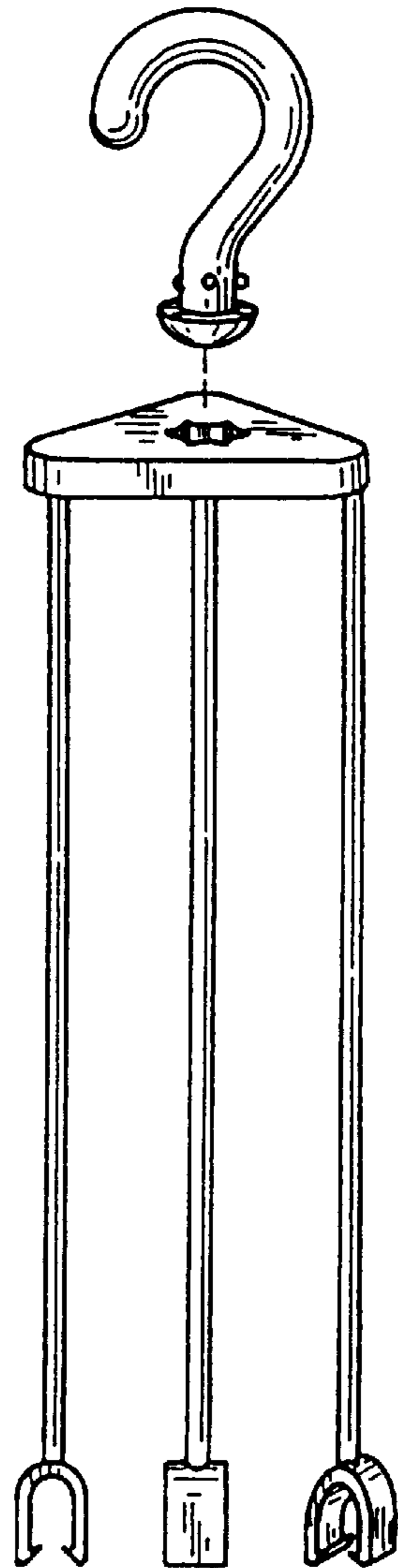


FIG. 6

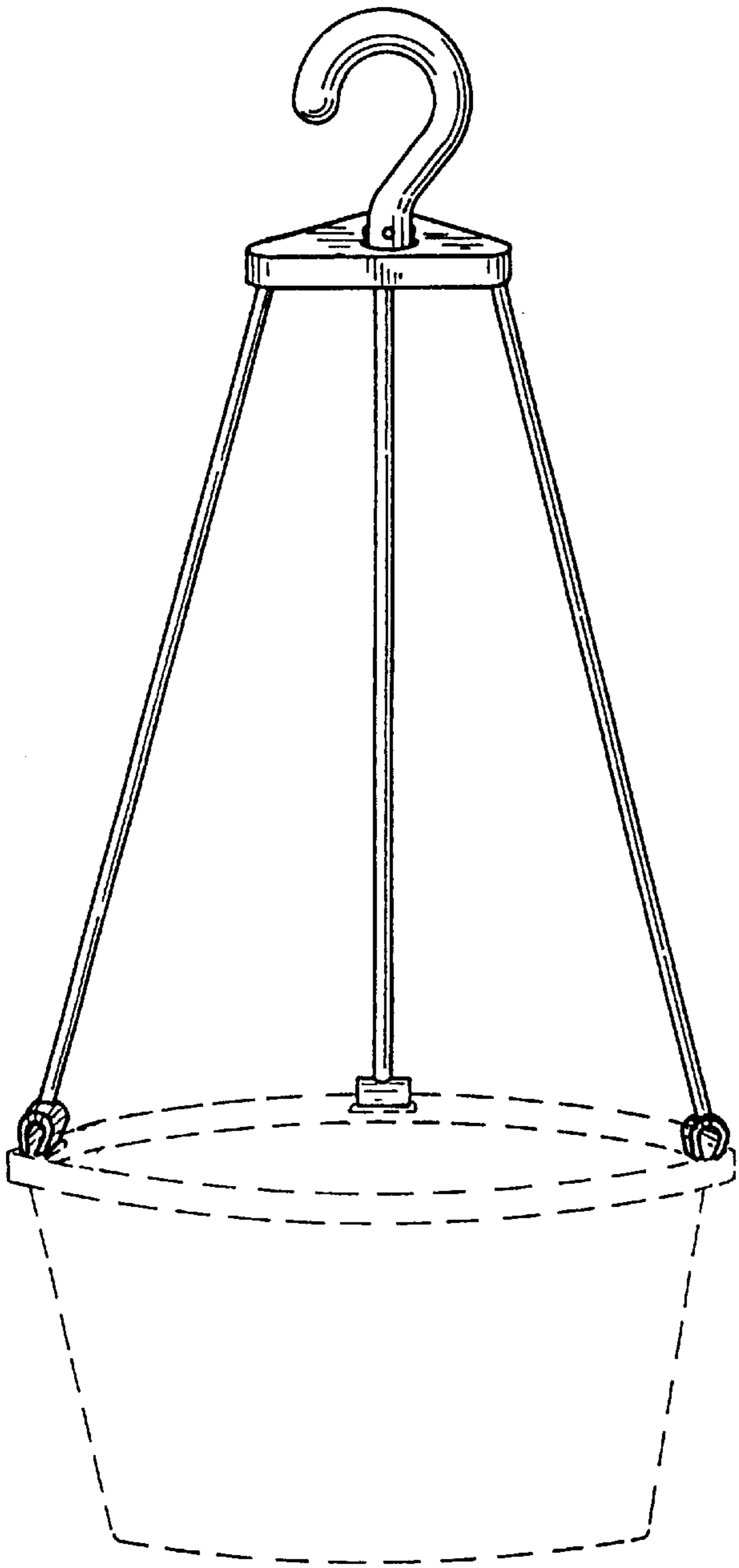


FIG. 7

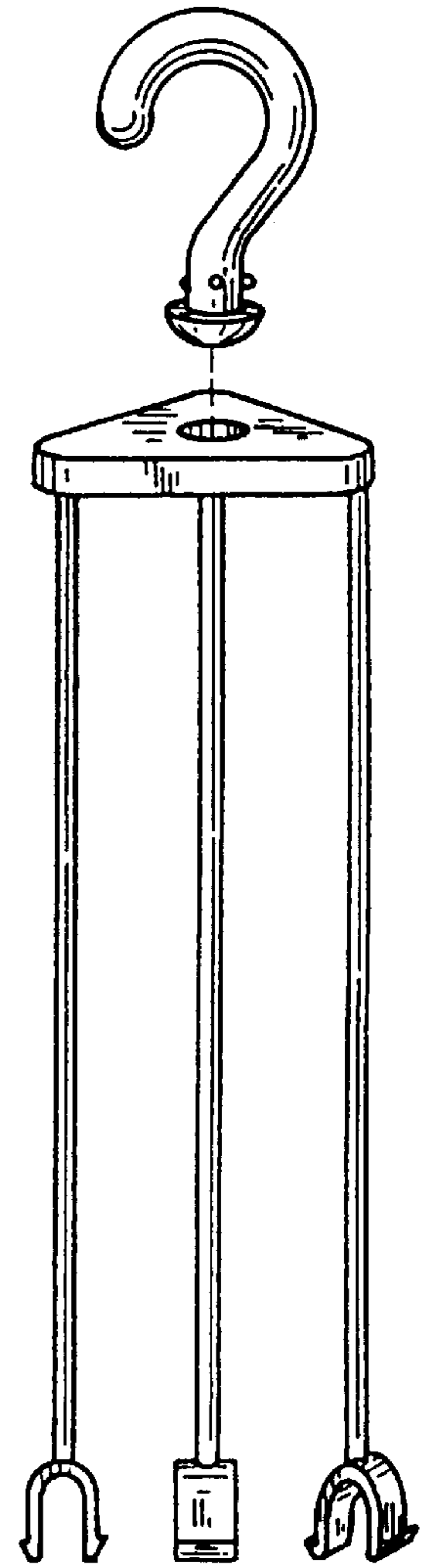


FIG. 8

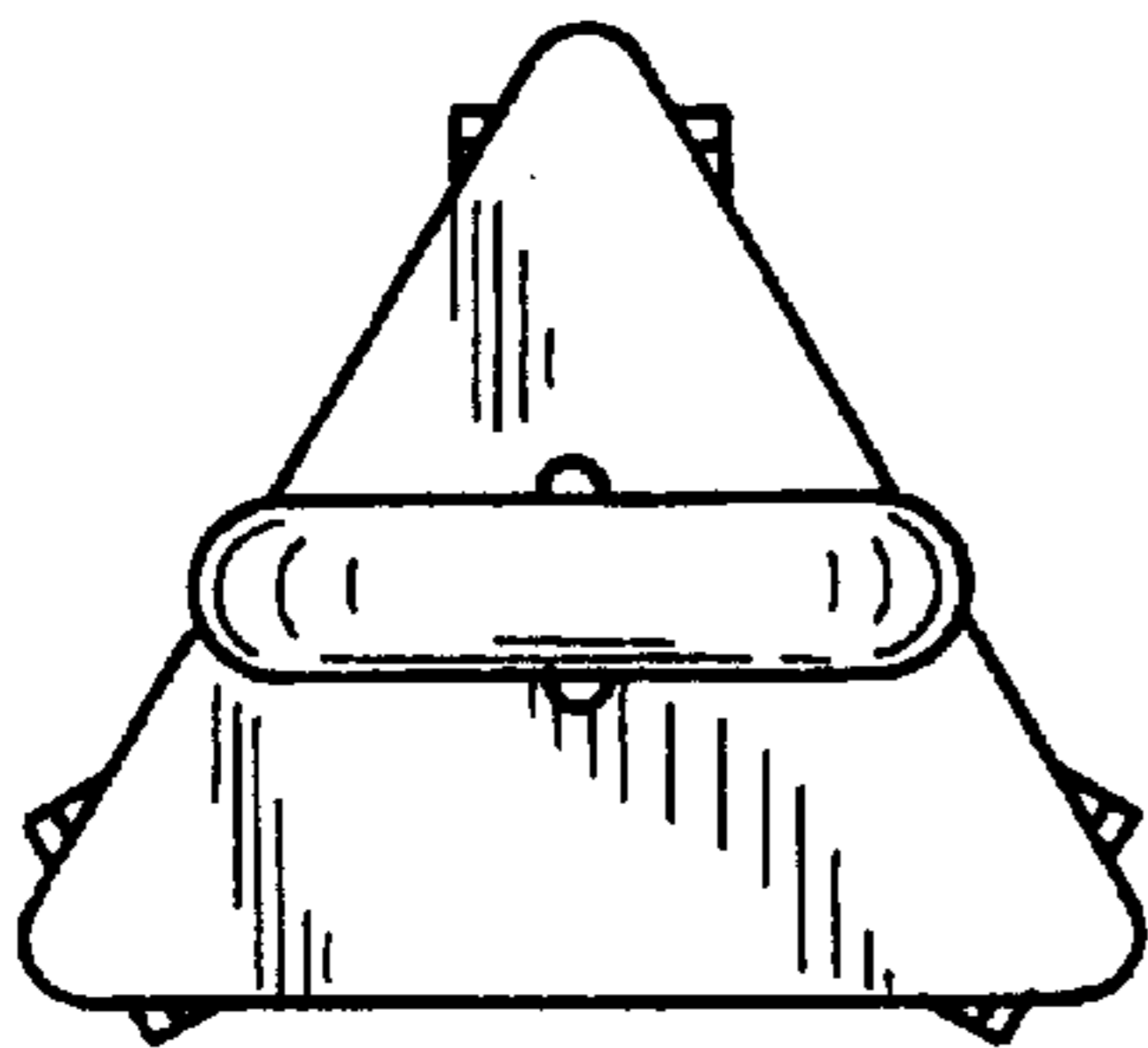


FIG. 9

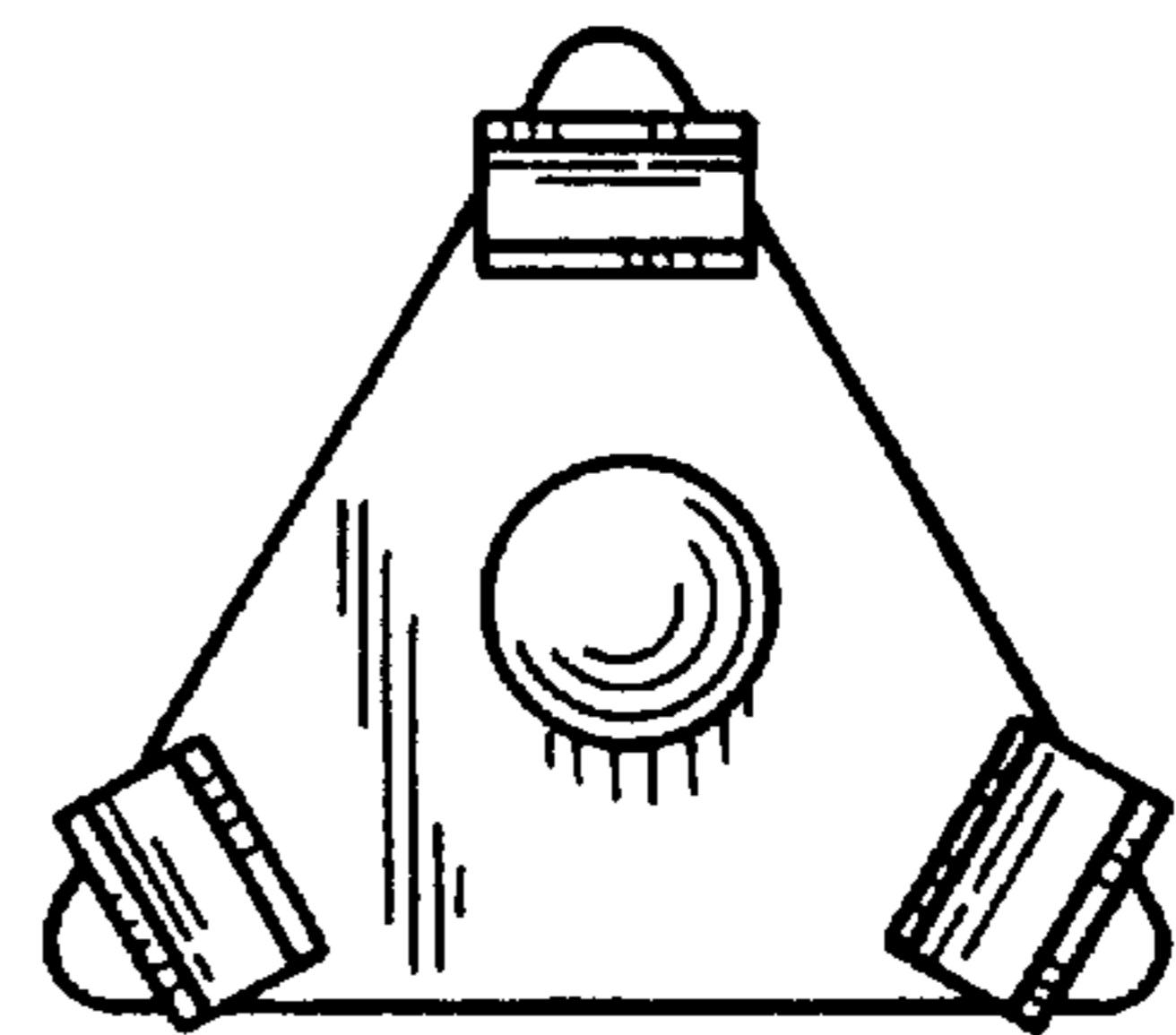


FIG. 10