



US00D436837S

(12) **United States Design Patent**  
**Beal et al.**

(10) **Patent No.:** **US D436,837 S**

(45) **Date of Patent:** **\*\* Jan. 30, 2001**

(54) **DESIGN FOR A MOUNTING BRACKET FOR A COMPUTER RACK**

(75) Inventors: **Kenneth Beal**, Brentwood; **Paul Griffin**, Nashville; **Danny Oldham**, Nashville; **Mark Oldham**, Nashville; **Stephen Woolverton**, Nashville, all of TN (US)

(73) Assignee: **Marathon Computer, Inc.**, Nashville, TN (US)

(\*\*) Term: **14 Years**

(21) Appl. No.: **29/120,542**

(22) Filed: **Mar. 21, 2000**

(51) **LOC (7) Cl.** ..... **08-05**

(52) **U.S. Cl.** ..... **D8/363**

(58) **Field of Search** ..... D8/349, 354, 363; 248/221.43, 220.21, 220.43, 309.1

(56) **References Cited**

**U.S. PATENT DOCUMENTS**

D. 334,135 \* 3/1993 Fraker et al. .... D8/363

D. 416,471 \* 11/1999 Wurdack ..... D8/363

\* cited by examiner

*Primary Examiner*—Holly Baynham

(74) *Attorney, Agent, or Firm*—Michael E. McKee

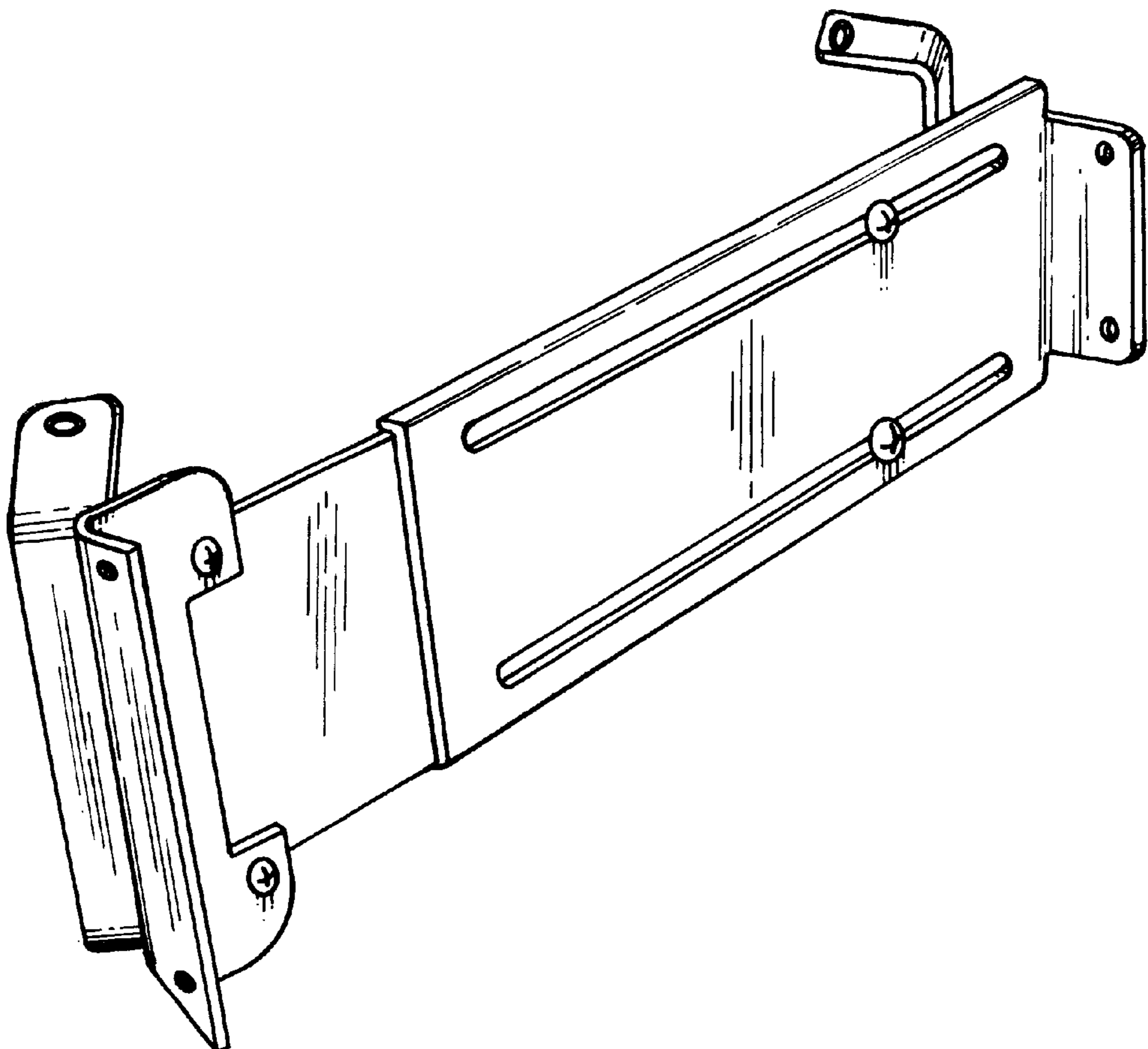
(57) **CLAIM**

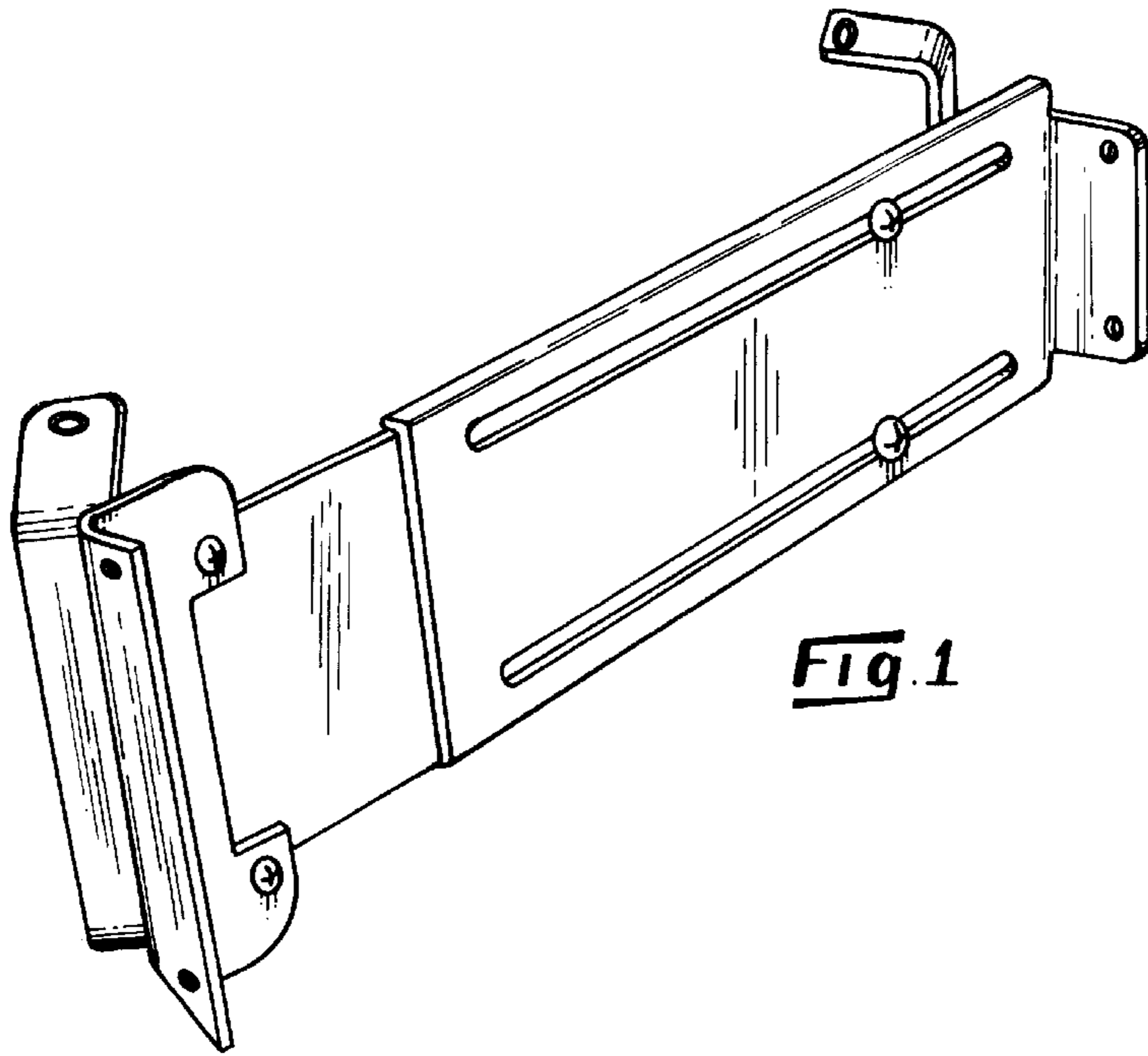
The ornamental design for a mounting bracket for a computer rack, as shown and described.

**DESCRIPTION**

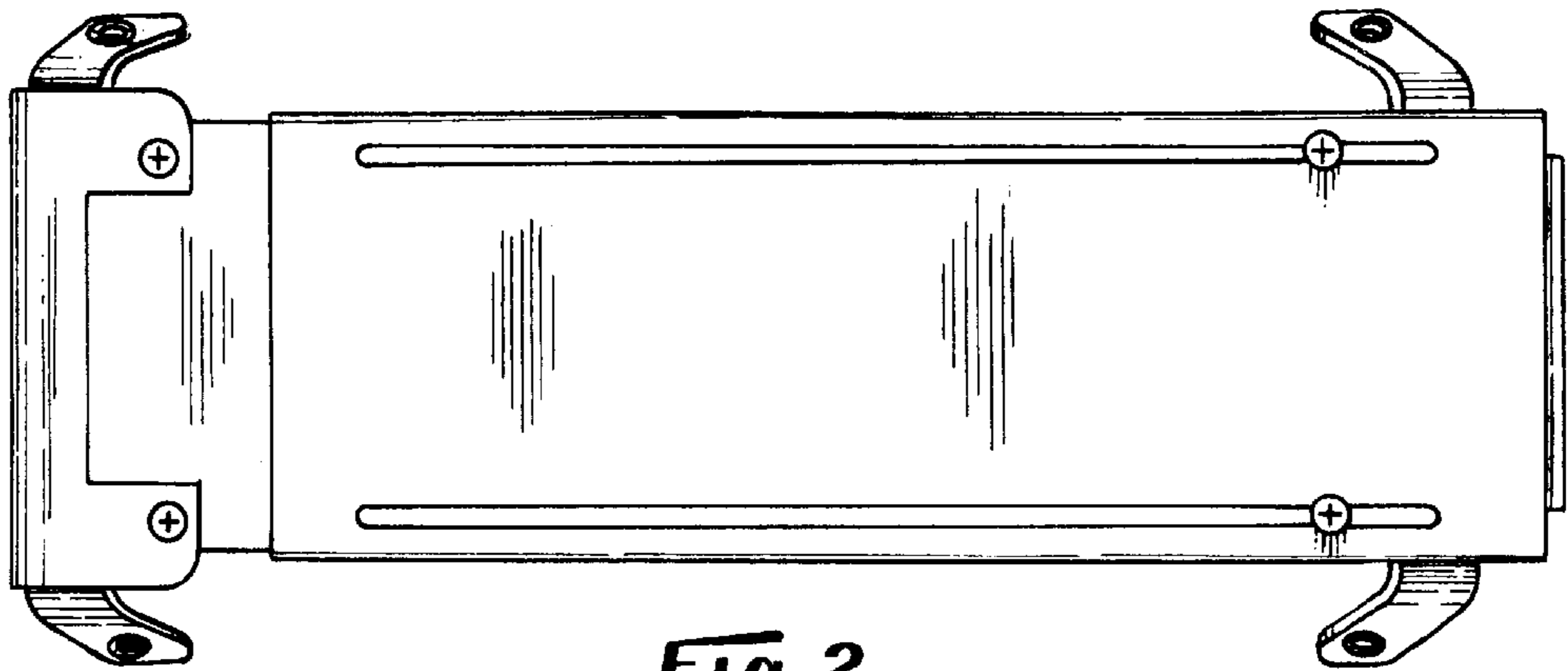
FIG. 1 is a perspective view of a mounting bracket for a computer rack showing our new design; FIG. 2 is a side elevational view thereof, as seen generally from the right in FIG. 1, and illustrating the sliding components of the bracket in one position; FIG. 3 is a view similar to that of FIG. 2, but illustrating the sliding components of the bracket in an alternative position; FIG. 4 is a side elevational view of the bracket, as seen generally from the left in FIG. 1; FIG. 5 is a front elevational view thereof; FIG. 6 is a rear elevational view thereof; and, FIG. 7 is a top plan view thereof, the bottom plan view being a mirror image.

**1 Claim, 2 Drawing Sheets**

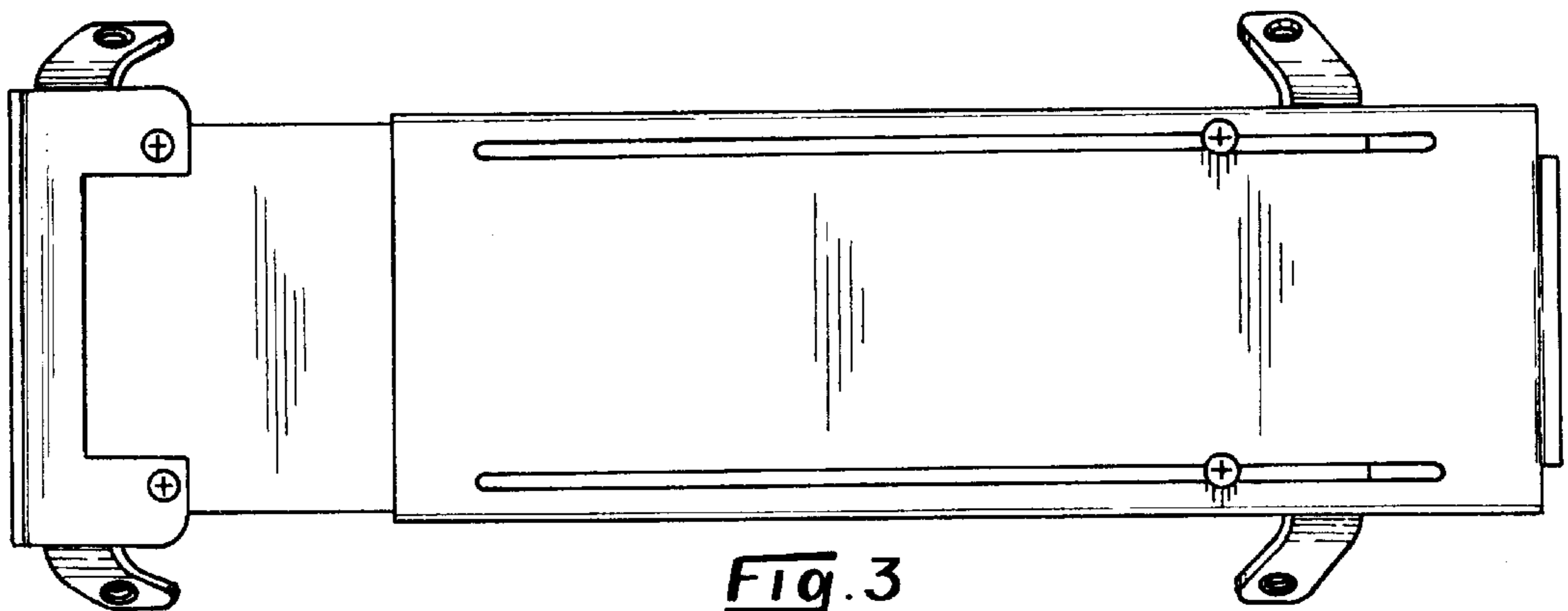




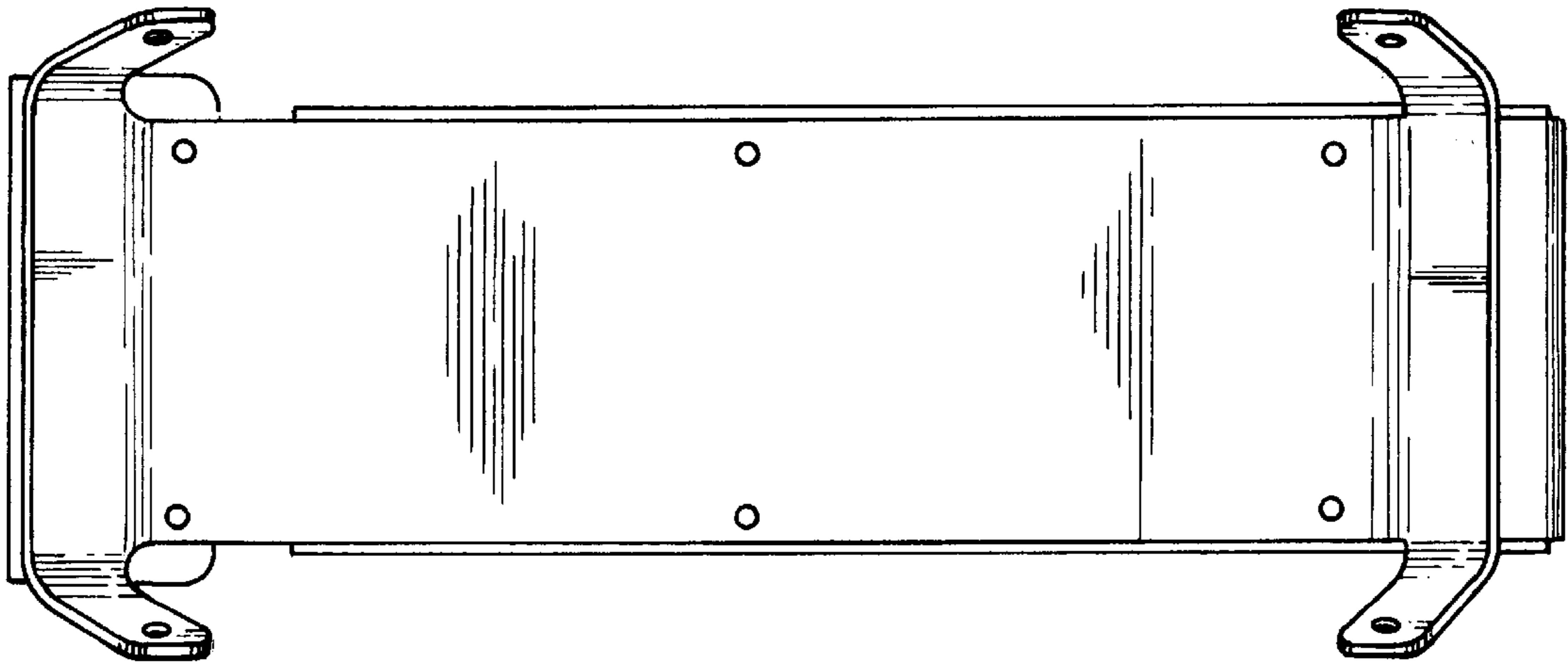
**Fig. 1**



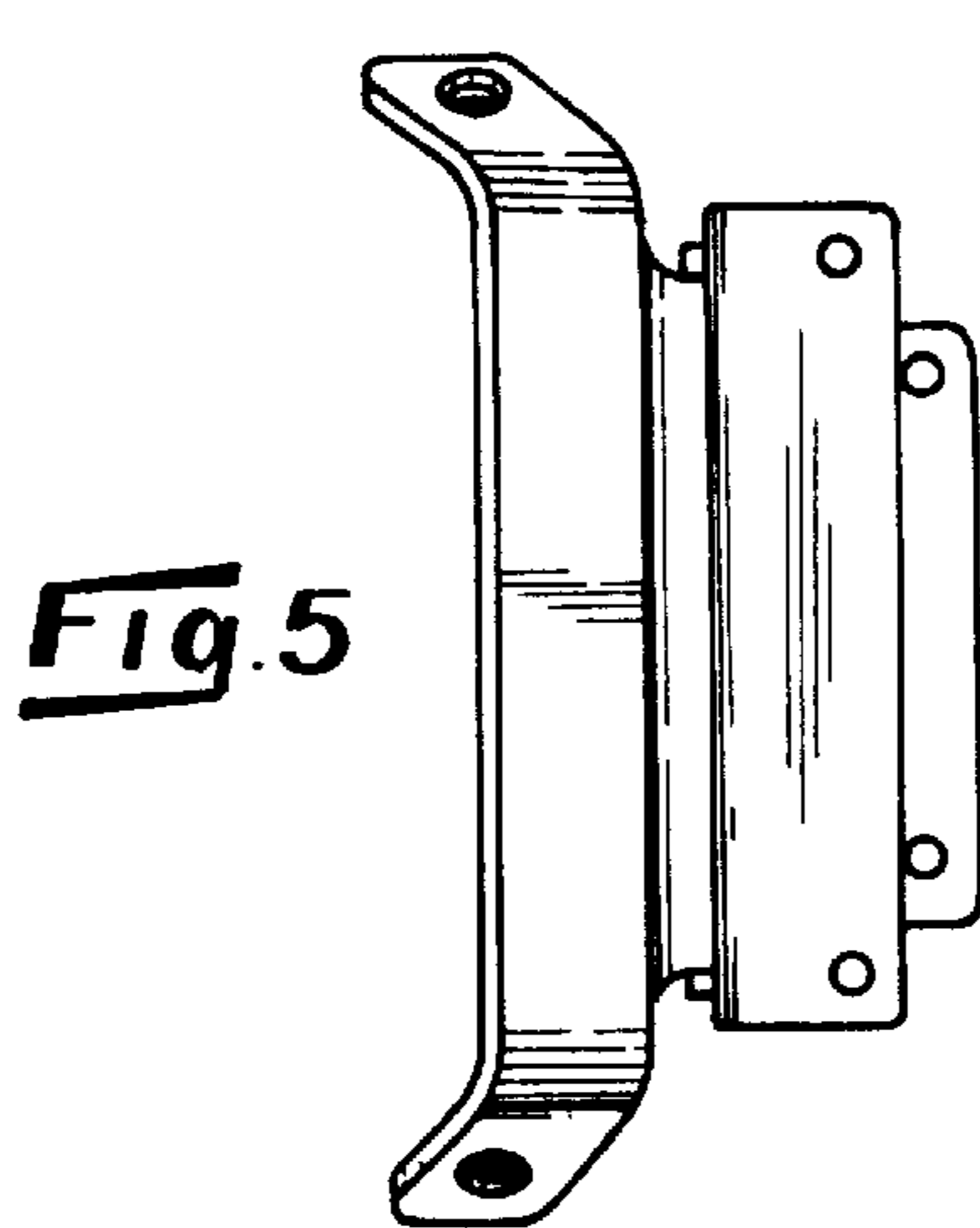
**Fig. 2**



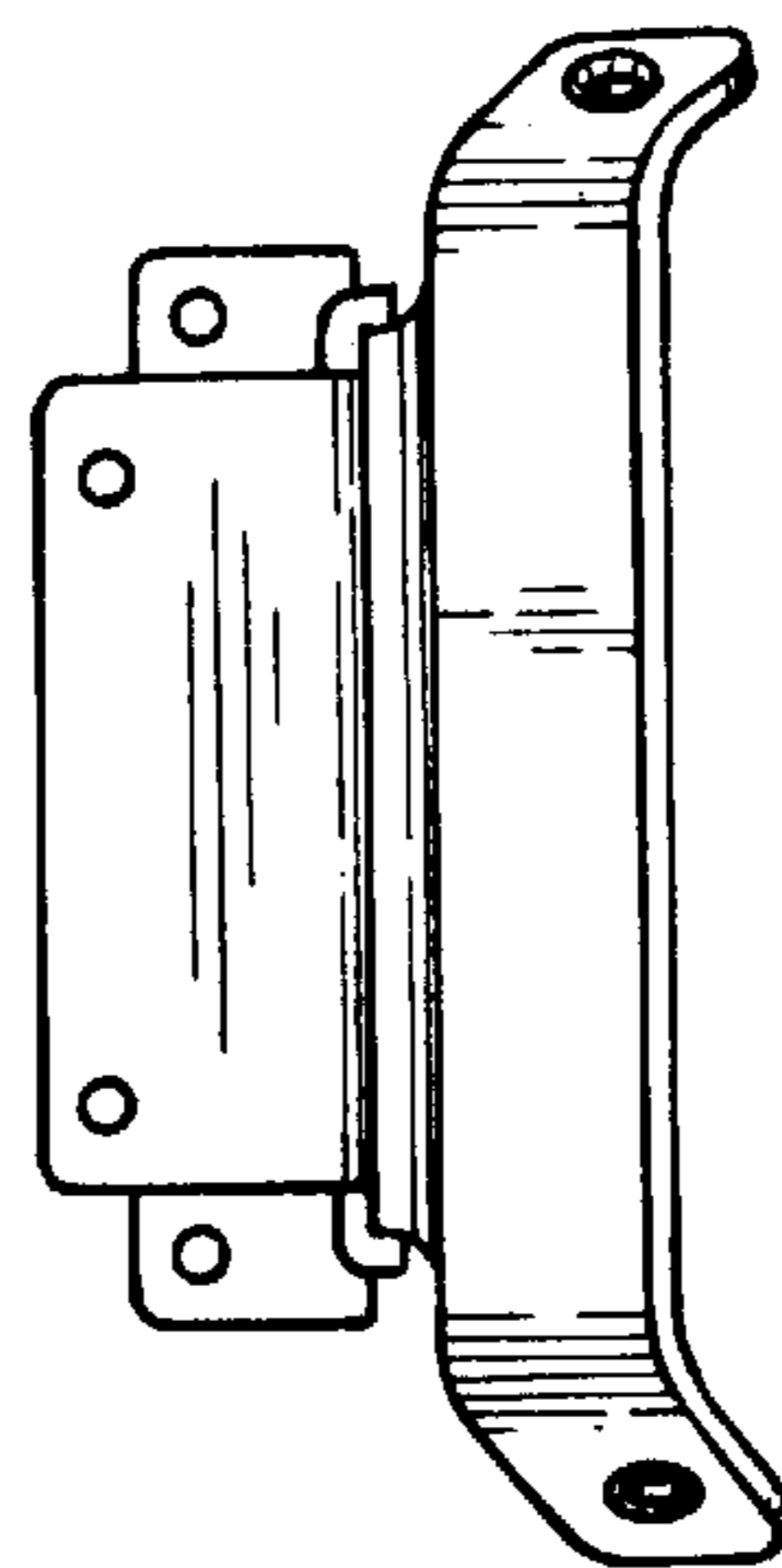
**Fig. 3**



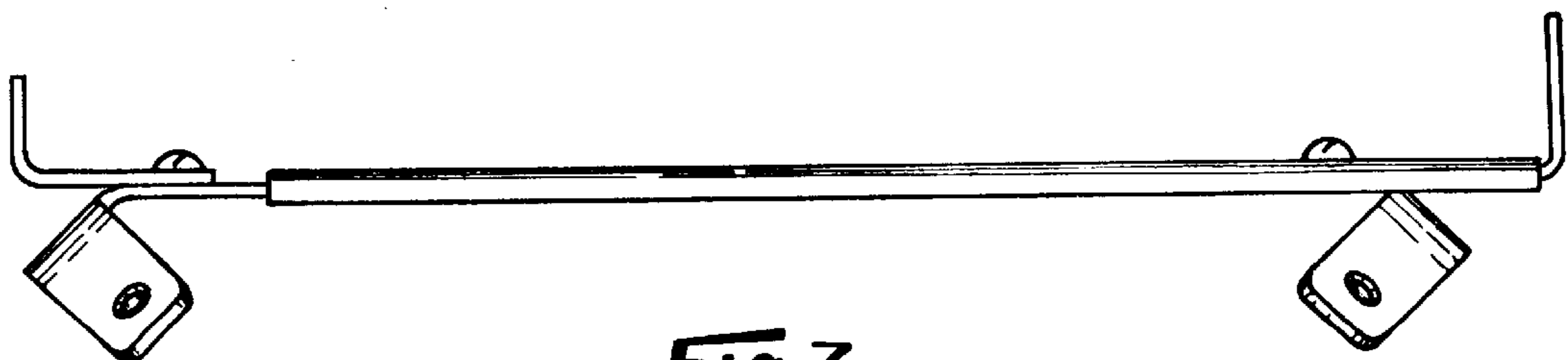
**Fig. 4**



**Fig. 5**



**Fig. 6**



**Fig. 7**