



US00D436836S

(12) **United States Design Patent**
Erwin

(10) **Patent No.:** **US D436,836 S**

(45) **Date of Patent:** **** Jan. 30, 2001**

(54) **MOUNTING BRACKET**

5,467,947 * 11/1995 Quilling, II 248/27.1

(75) Inventor: **Ronald D. Erwin**, Fayetteville, GA
(US)

* cited by examiner

(73) Assignee: **Erwin Industries, Inc.**

Primary Examiner—Holly Baynham

(74) *Attorney, Agent, or Firm*—Gardner & Groff, P.C.

(**) Term: **14 Years**

(57) **CLAIM**

(21) Appl. No.: **29/117,188**

I claim the ornamental design for a mounting bracket, as shown.

(22) Filed: **Jan. 19, 2000**

DESCRIPTION

(51) **LOC (7) Cl.** **08-05**

FIG. 1 is a perspective illustration of a mounting bracket according to a preferred form of the invention.

(52) **U.S. Cl.** **D8/354**

FIG. 2 is a top elevation view of the mounting bracket of FIG. 1 (with a bottom view being substantially identical).

(58) **Field of Search** D8/354, 349; 248/300,
248/200, 27.1, 27.3

FIG. 3 is a side view of the mounting bracket of FIG. 1.

(56) **References Cited**

FIG. 4 is a front view of the mounting bracket of FIG. 1, and,

U.S. PATENT DOCUMENTS

FIG. 5 is a rear view of the mounting bracket of FIG. 1.

D. 368,850 * 4/1996 Coppedge et al. D8/373

4,226,393 * 10/1980 Rardin et al. 248/27.1

1 Claim, 3 Drawing Sheets

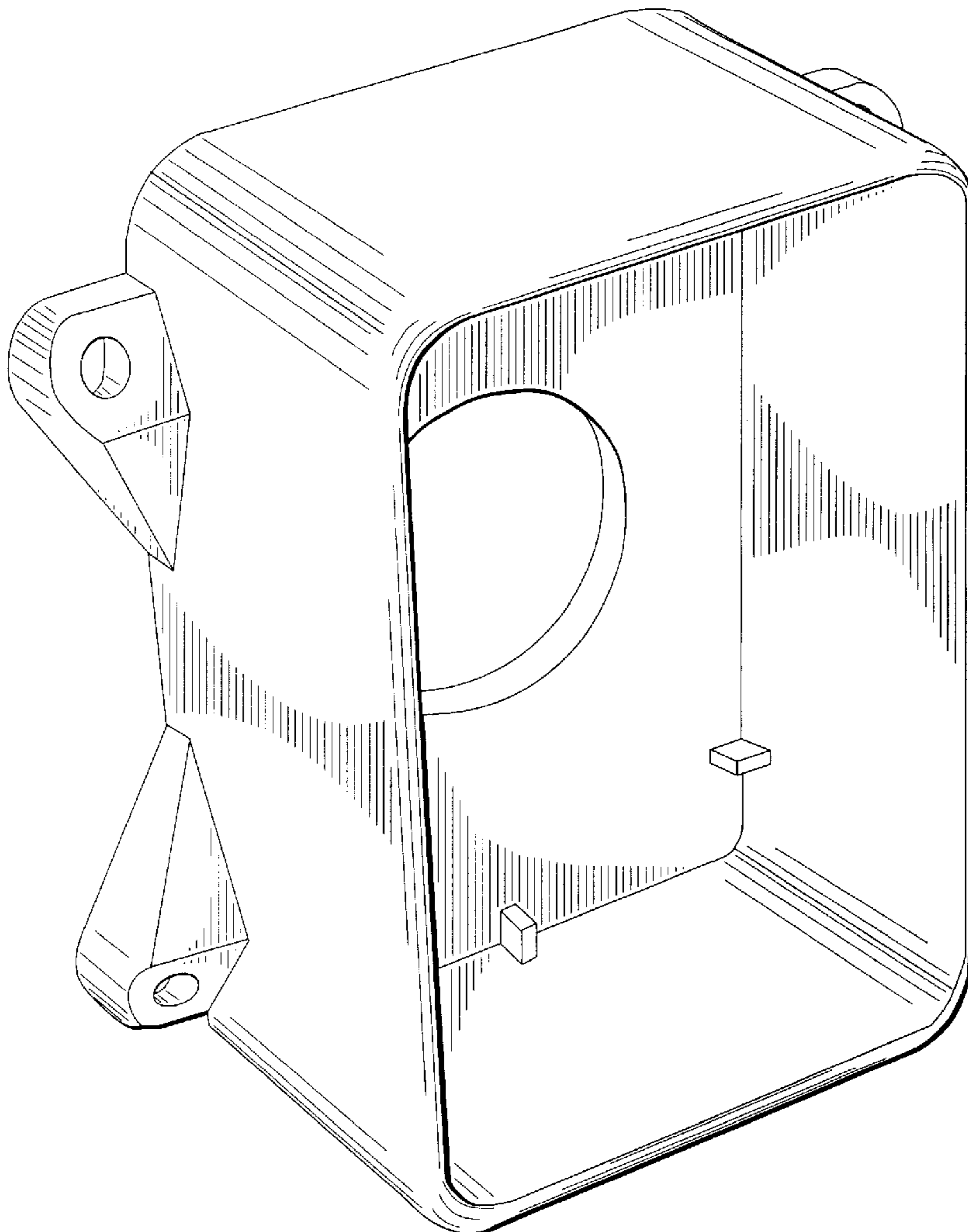


FIG. 1

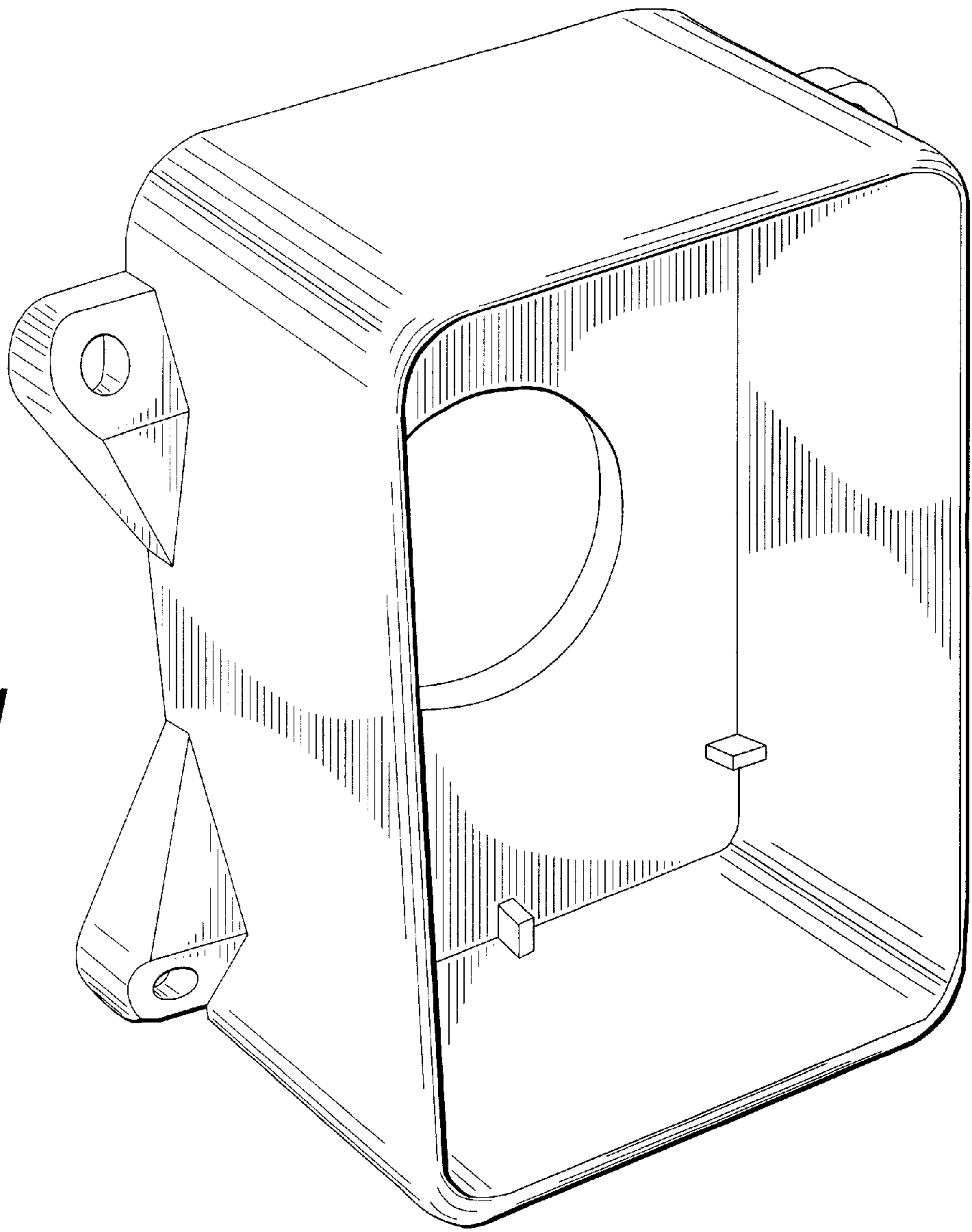
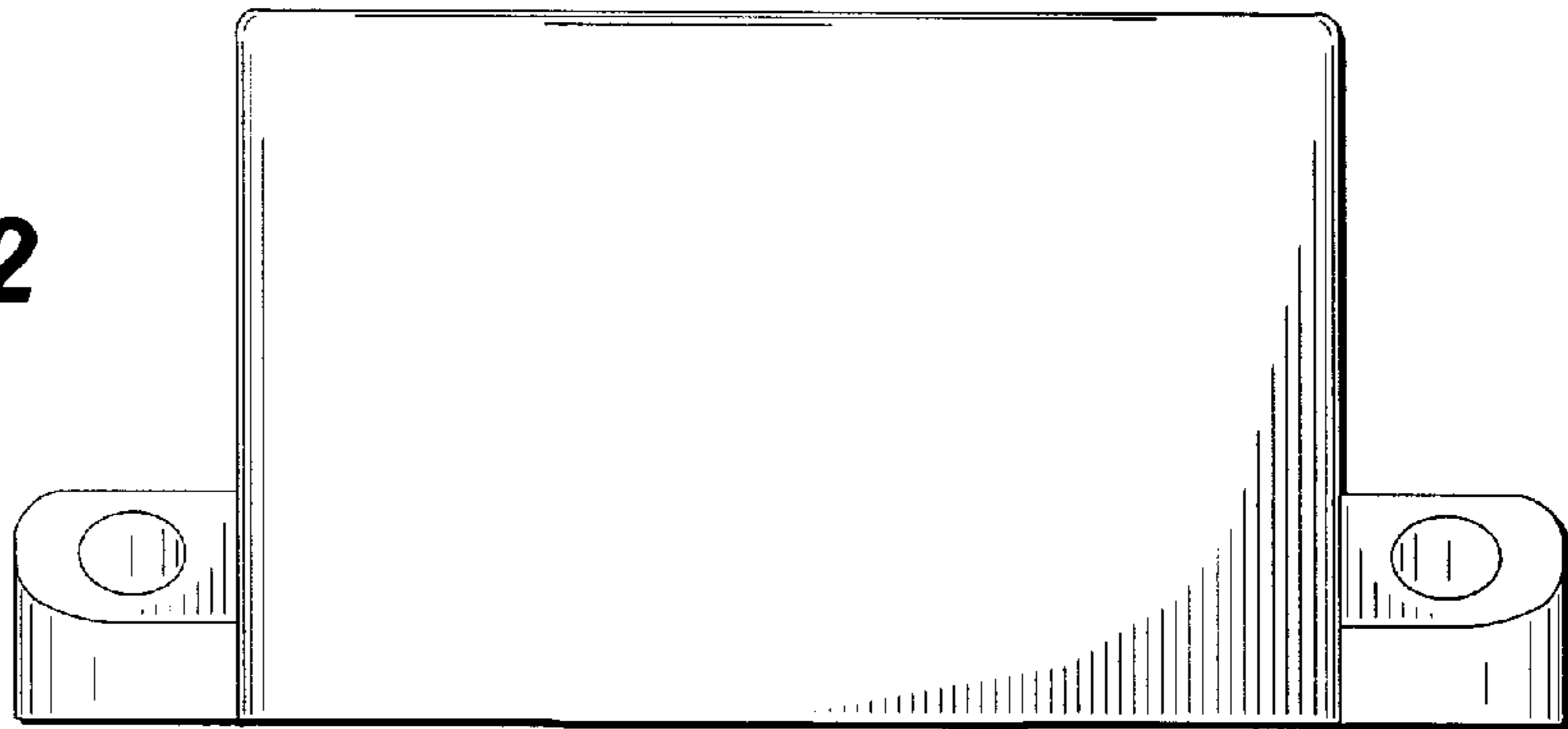


FIG. 2



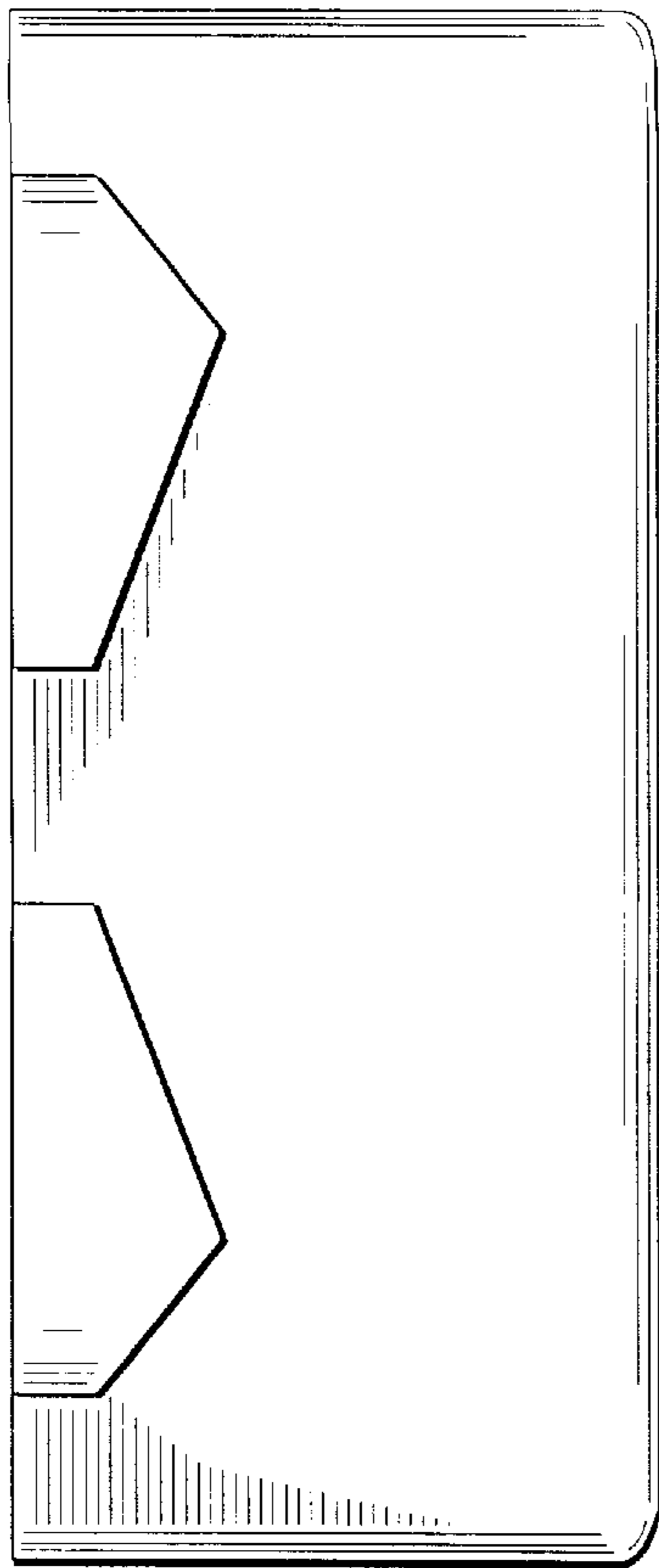


FIG. 3

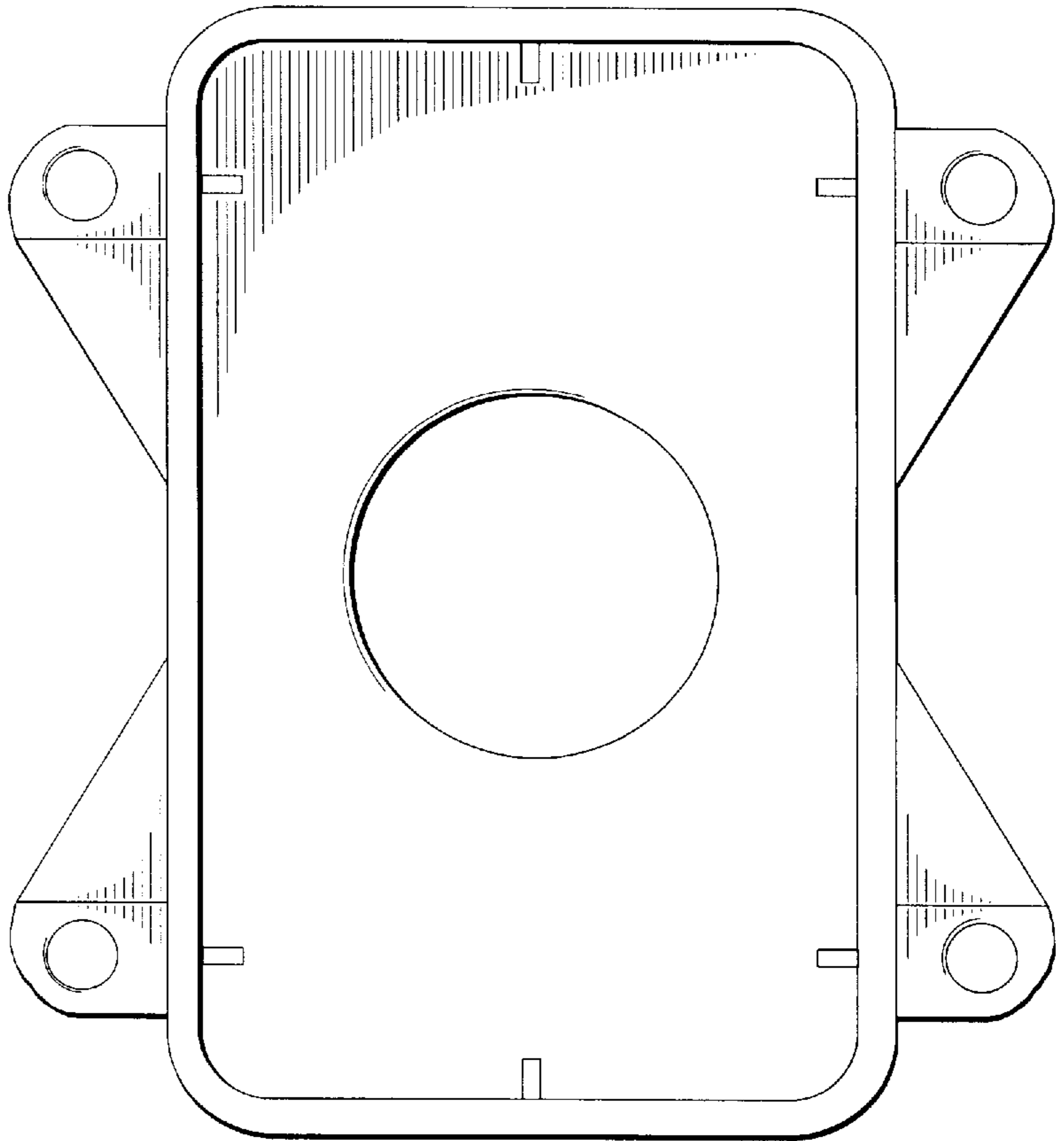


FIG. 4

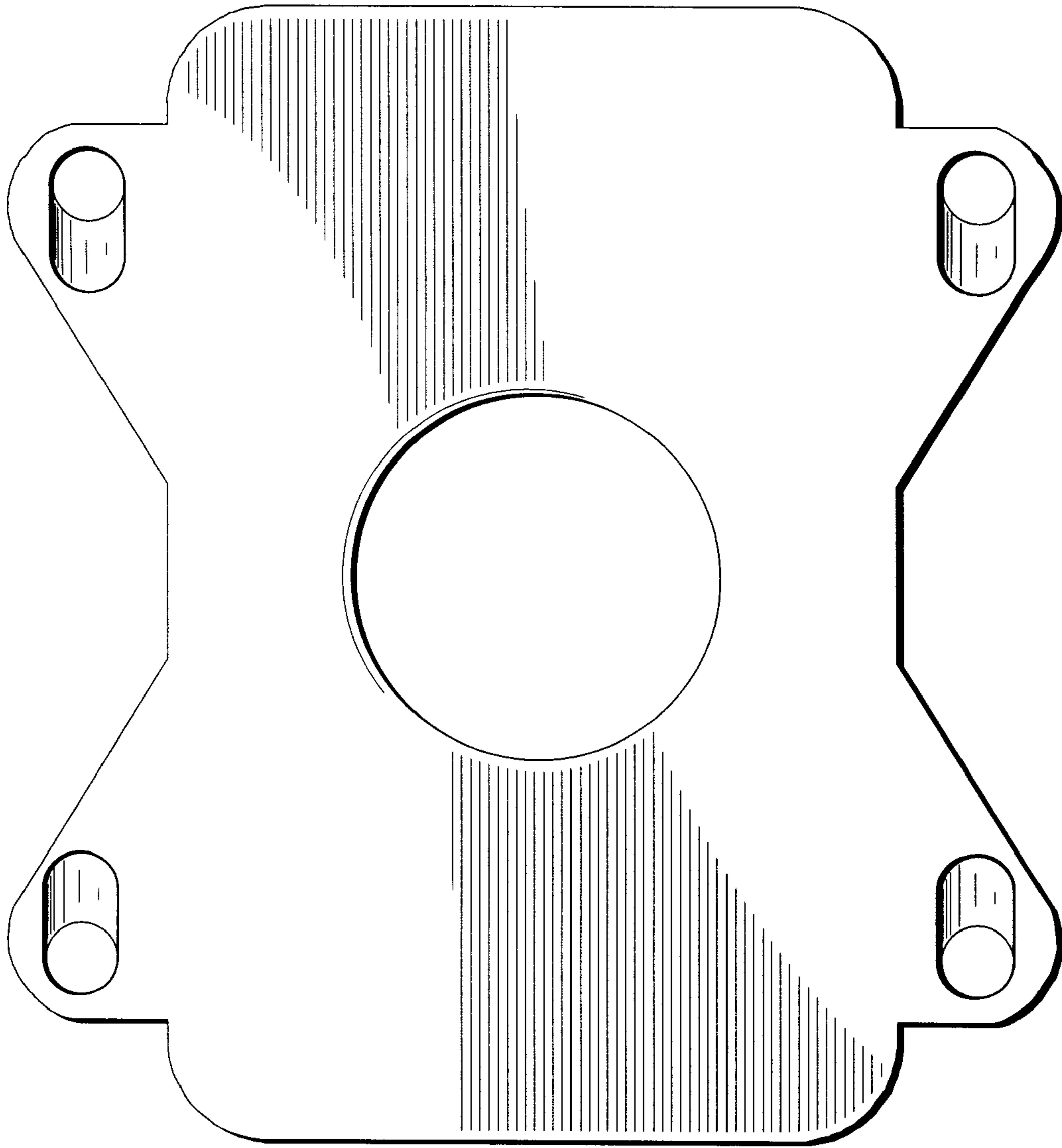


FIG. 5