



US00D436835S

(12) **United States Design Patent**
Snyder

(10) **Patent No.:** **US D436,835 S**

(45) **Date of Patent:** **** Jan. 30, 2001**

- (54) **ADJUSTABLE DUCT BRACKET**
- (75) Inventor: **Darryl L. Snyder**, Canton, OH (US)
- (73) Assignee: **Snyder National, Inc.**, Canton, OH (US)
- (**) Term: **14 Years**
- (21) Appl. No.: **29/108,096**
- (22) Filed: **Jul. 20, 1999**
- (51) **LOC (7) Cl.** **08-05**
- (52) **U.S. Cl.** **D8/349**
- (58) **Field of Search** D8/349, 354, 377;
248/71, 62; D25/119-125

3,163,386	12/1964	Collins	248/71
3,189,682	6/1965	Irish	174/165
3,285,553	11/1966	Hexdall	248/71
4,618,114	10/1986	McFarland	248/65

OTHER PUBLICATIONS

Thermo Manufacturing, Inc. Advertisement page.

* cited by examiner

Primary Examiner—Holly Baynham

(74) *Attorney, Agent, or Firm*—Sand & Sebolt

(57) **CLAIM**

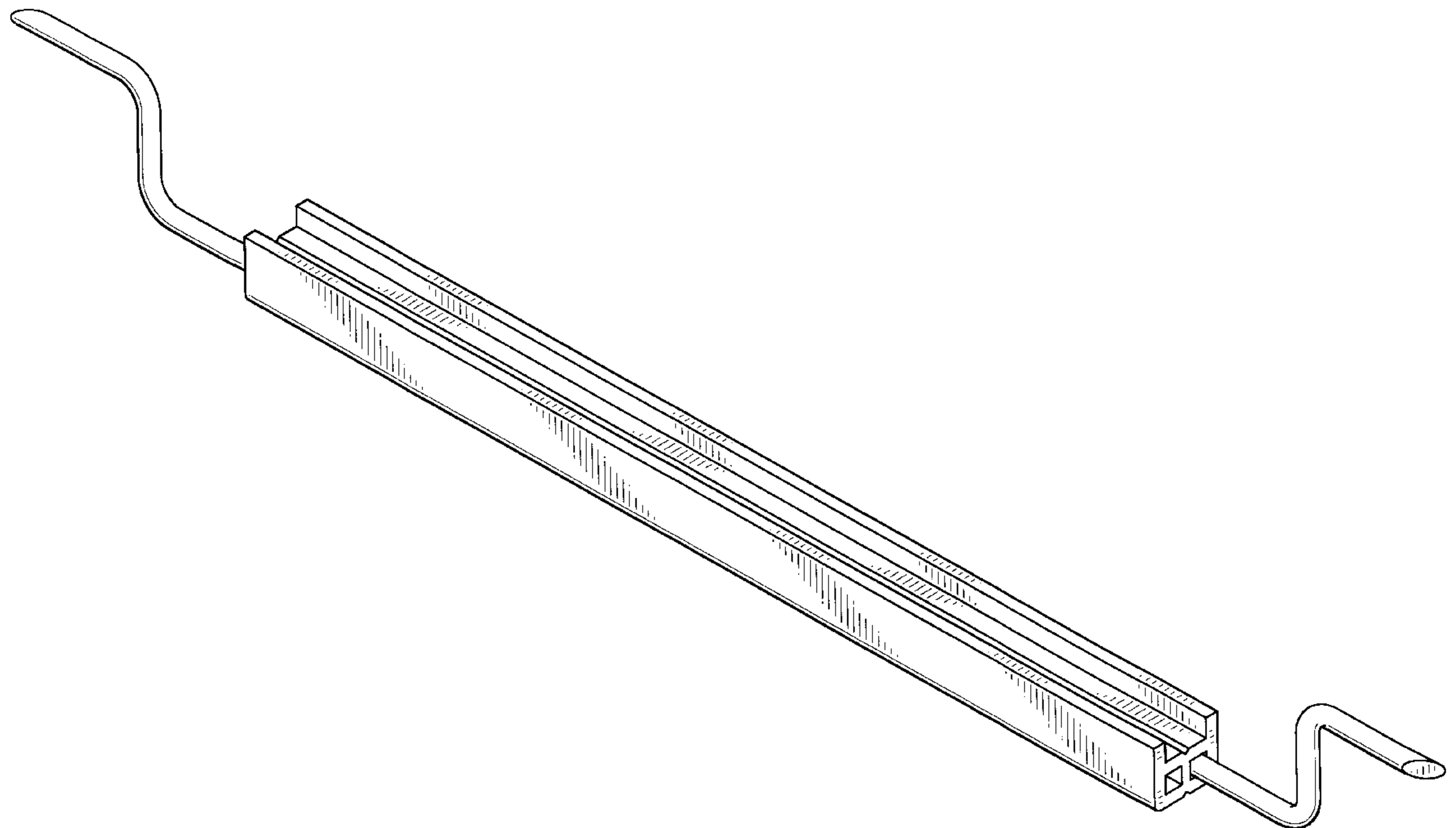
The ornamental design for an adjustable duct bracket, as shown and described.

DESCRIPTION

FIG. 1 is a perspective view of an adjustable duct bracket showing my new design;
 FIG. 2 is a top plan view of the adjustable duct bracket of FIG. 1;
 FIG. 3 is a front elevational view of FIG. 2;
 FIG. 4 is a bottom plan view of FIG. 2; and,
 FIG. 5 is a right side elevational view of FIG. 2, the left side being a mirror image thereof.

1 Claim, 2 Drawing Sheets

- (56) **References Cited**
- U.S. PATENT DOCUMENTS**
- D. 283,395 * 4/1986 Cox et al. D8/377
- 505,209 9/1893 White .
- 796,178 8/1905 Beaton .
- 2,423,455 7/1947 Larson 248/71
- 2,788,188 4/1957 Smith et al. 248/57
- 2,809,002 10/1957 Rudolph 248/205
- 2,917,263 12/1959 Appleton et al. 248/216
- 3,104,087 9/1963 Budnick et al. 248/343
- 3,162,413 12/1964 Hexdall 248/71



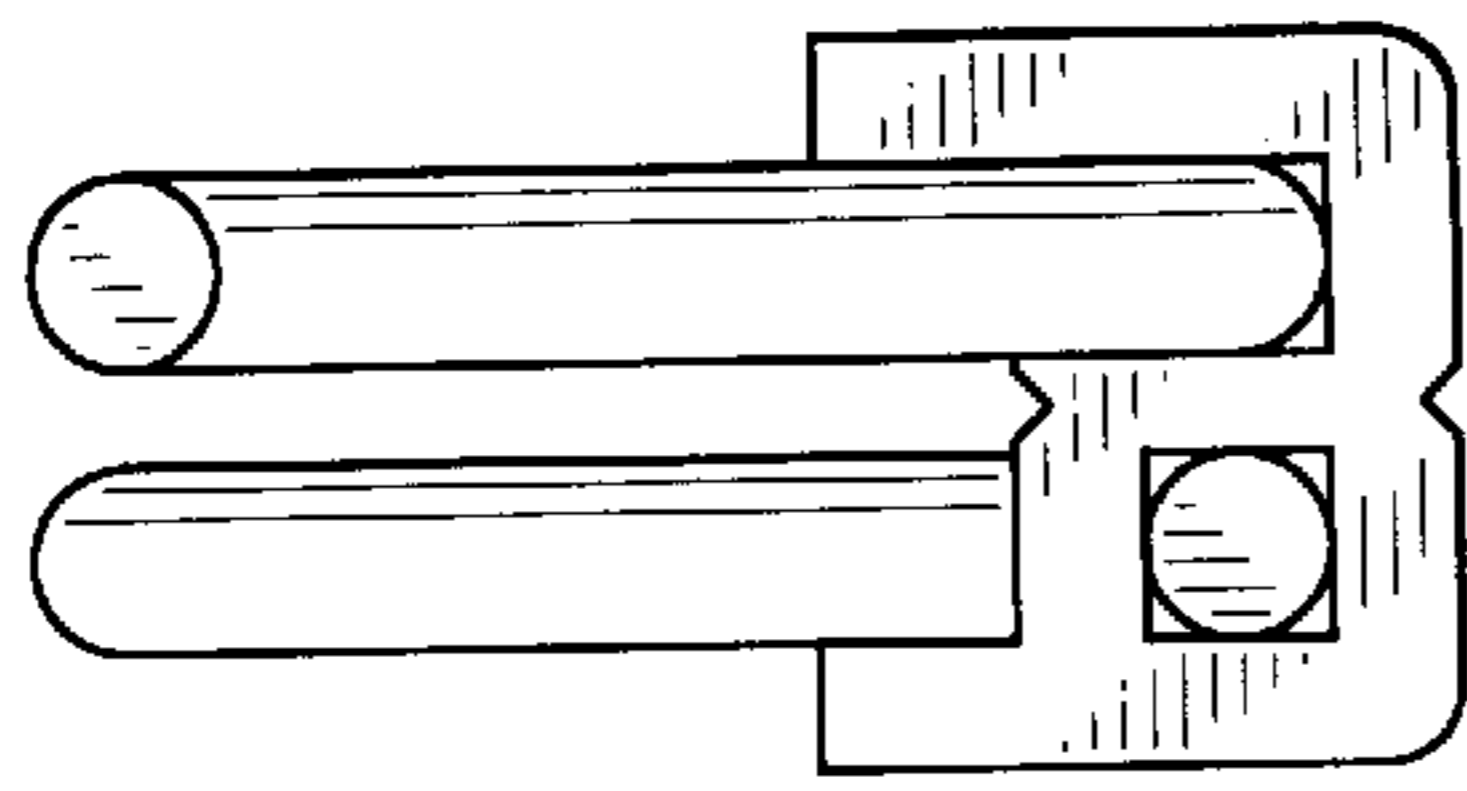
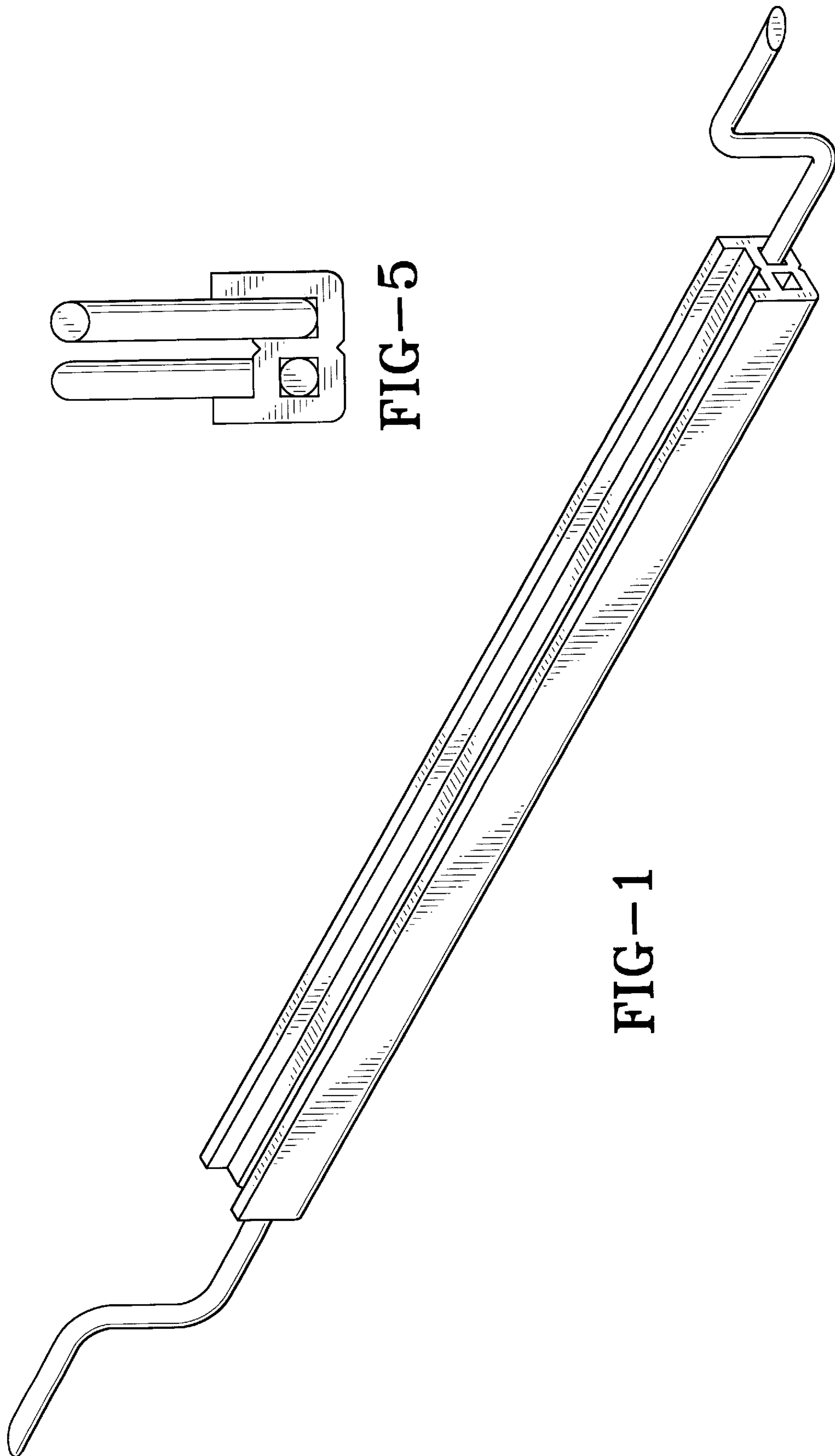


FIG-5

FIG-1

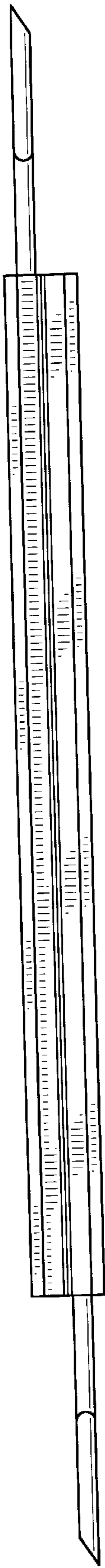


FIG-2

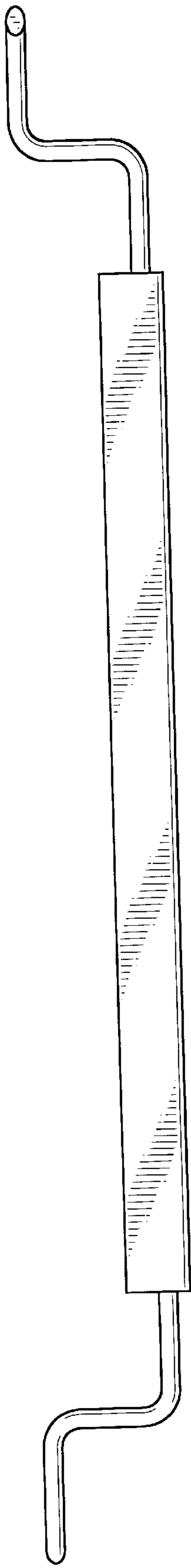


FIG-3

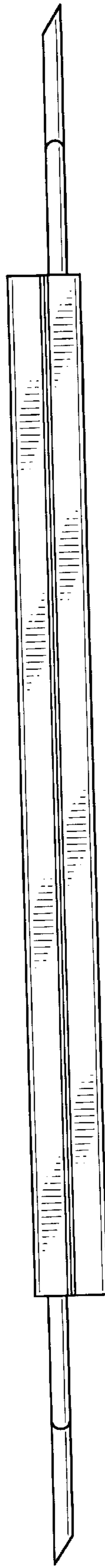


FIG-4