



US00D436834S

(12) **United States Design Patent**
Aichmann

(10) **Patent No.:** **US D436,834 S**

(45) **Date of Patent:** **** Jan. 30, 2001**

(54) **SHACKLE WITH SURFACE CONFIGURATION**

(75) Inventor: **Ortwin Aichmann**, Hoerbranz (AT)

(73) Assignee: **Stoba AG**, Horn (CH)

(**) Term: **14 Years**

(21) Appl. No.: **29/119,576**

(22) Filed: **Feb. 28, 2000**

(51) **LOC (7) Cl.** **08-07**

(52) **U.S. Cl.** **D8/333**

(58) **Field of Search** D8/333, 334; 70/20,
70/21, 18, 22, 24-29, 30, 35, 38 R, 39,
38 B

(56) **References Cited**

U.S. PATENT DOCUMENTS

5,865,043 * 2/1999 Loughlin 70/20

FOREIGN PATENT DOCUMENTS

WO 98/37531 8/1998 (WO) .

* cited by examiner

Primary Examiner—Susan J. Lucas

Assistant Examiner—Jennifer Rivard

(74) *Attorney, Agent, or Firm*—Evenson, McKeown,
Edwards & Lenahan, P.L.L.C.

(57) **CLAIM**

The ornamental design for a shackle with surface configuration, as shown and described.

DESCRIPTION

This application is related to co-pending application Ser. No. 29/119,577, of the inventor, filed on even date herewith and entitled "Surface Configuration of a Shackle."

FIG. 1 is a top view of the shackle with surface configuration according to my novel design;

FIG. 2 is a bottom view of the shackle with surface configuration according to my novel design;

FIG. 3 is a right side view of the shackle with surface configuration according to my novel design;

FIG. 4 is a left side view of the shackle with surface configuration according to my novel design;

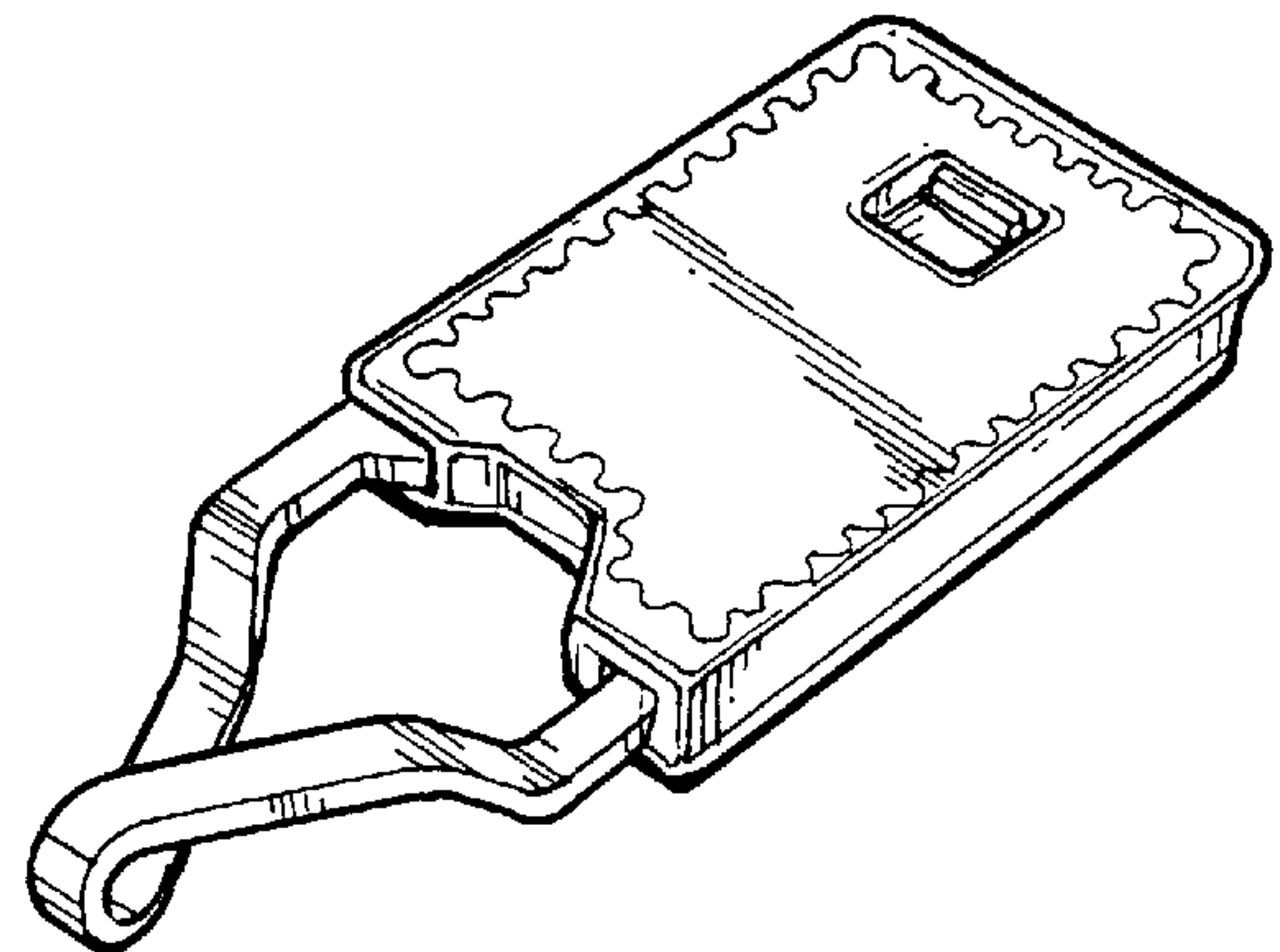
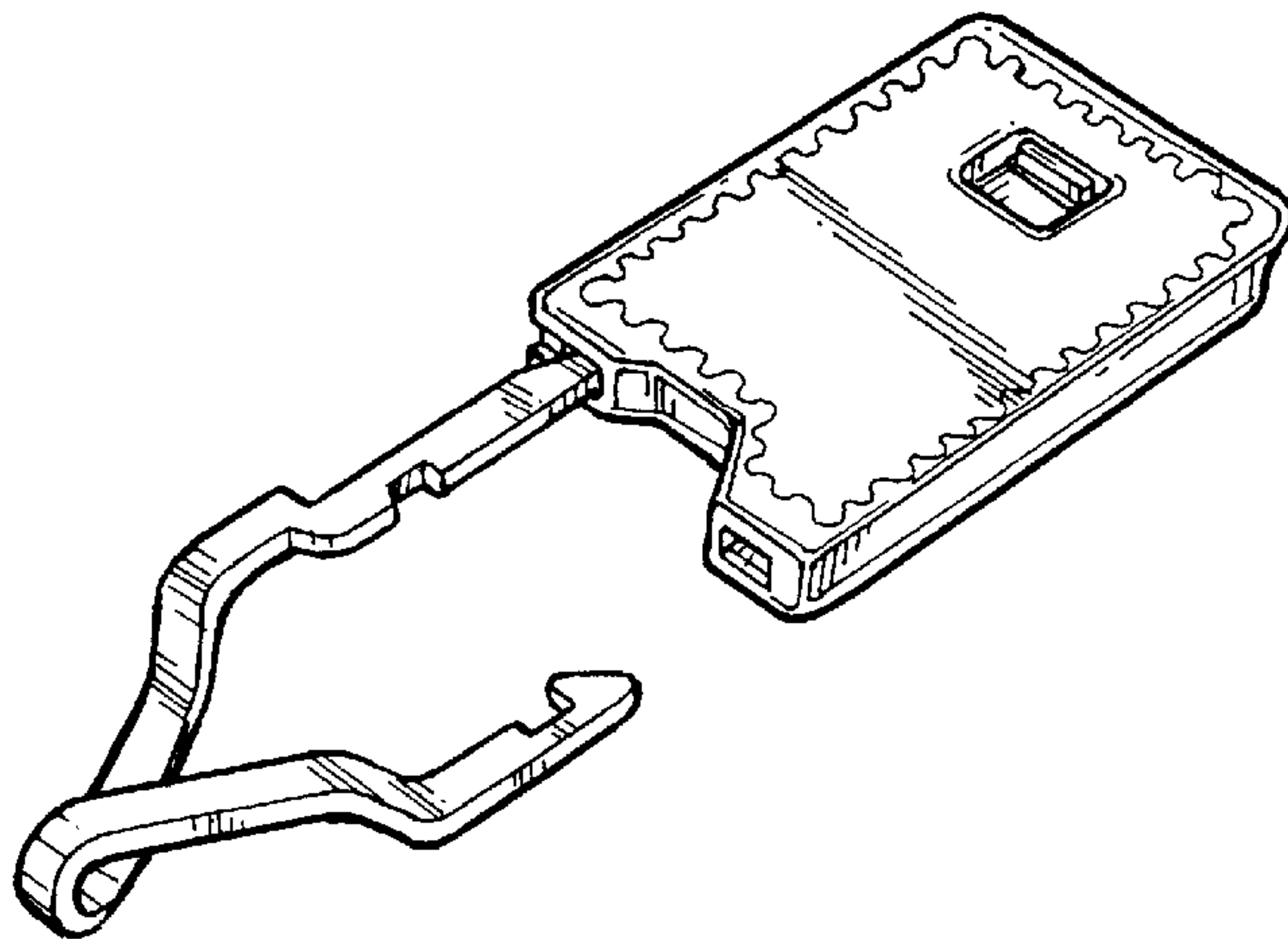
FIG. 5 is a front view of the shackle with surface configuration according to my novel design;

FIG. 6 is a back view of the shackle with surface configuration according to my novel design;

FIG. 7 is a perspective view of a shackle with surface configuration according to my novel design shown in an open position; and,

FIG. 8 is a perspective view of a shackle with surface configuration according to my novel design shown in a closed position.

1 Claim, 2 Drawing Sheets



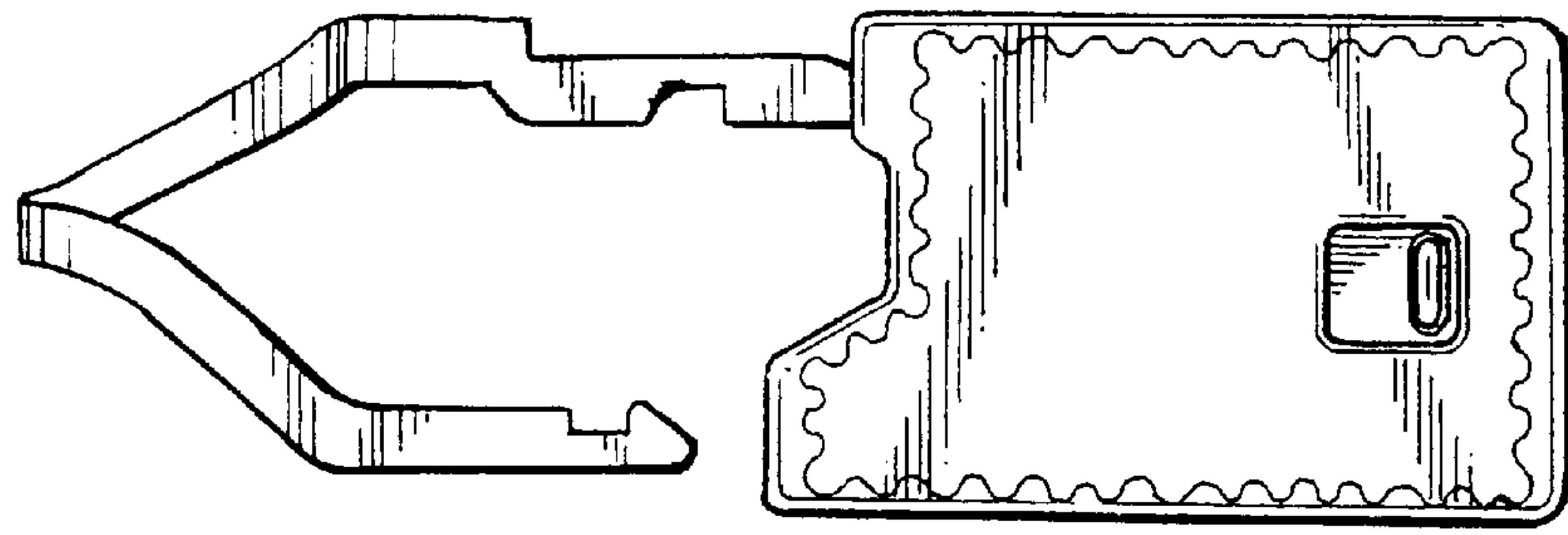


FIG. 1

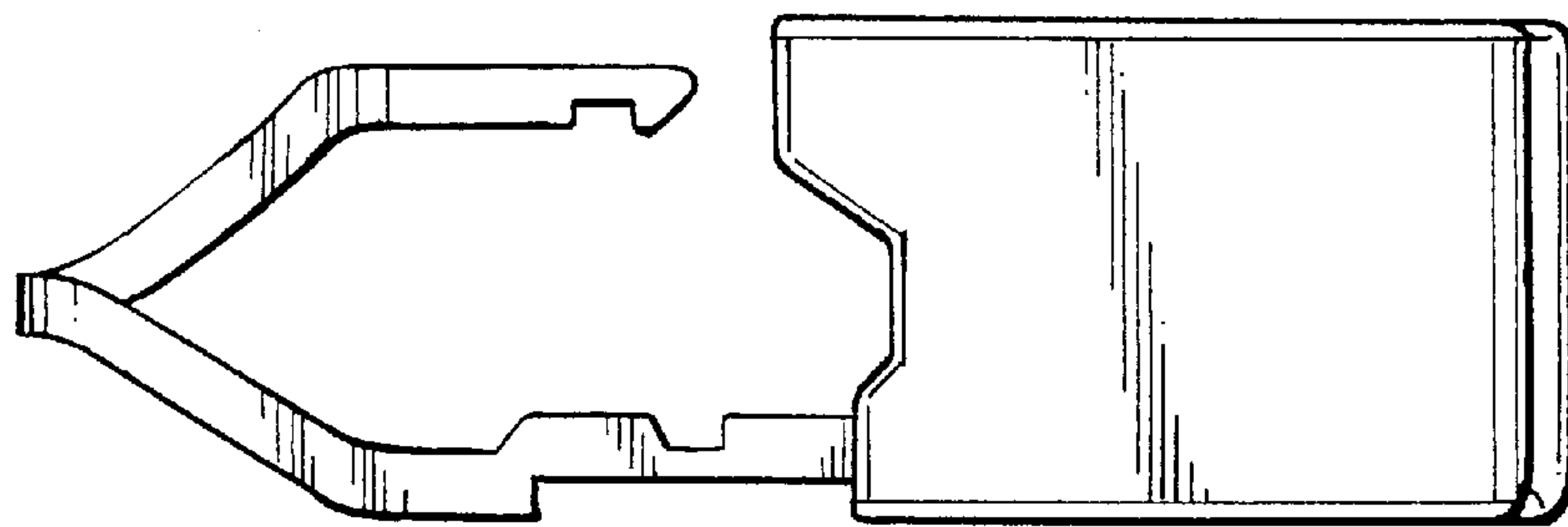


FIG. 2

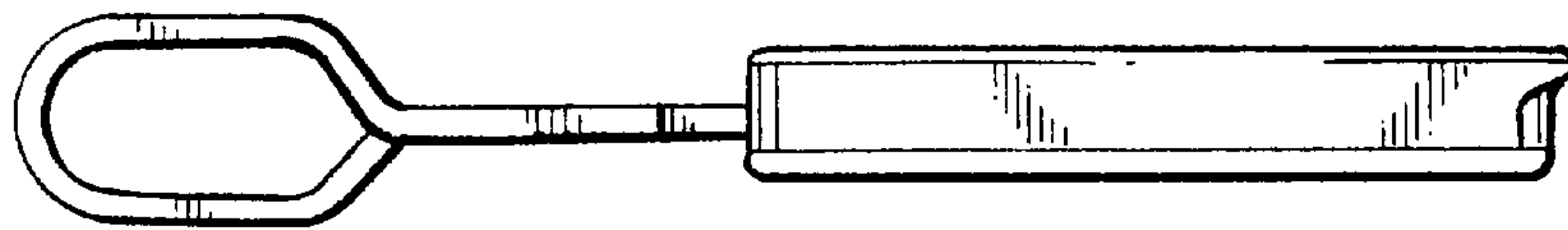


FIG. 3

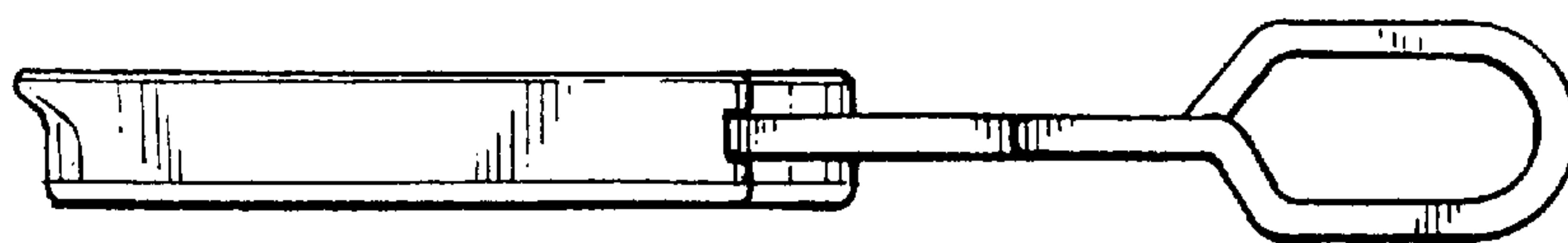


FIG. 4

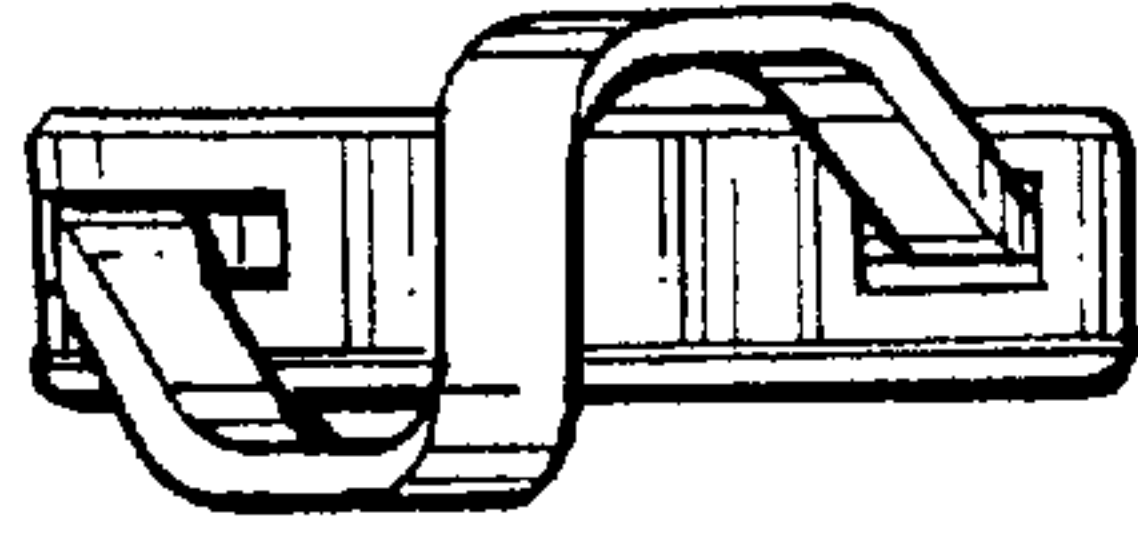


FIG. 5

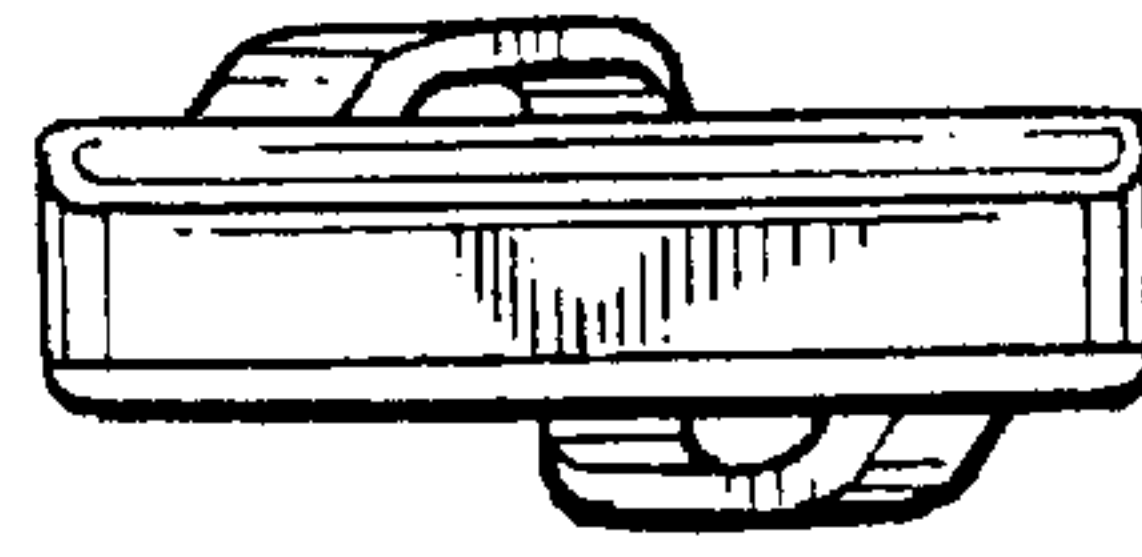


FIG. 6

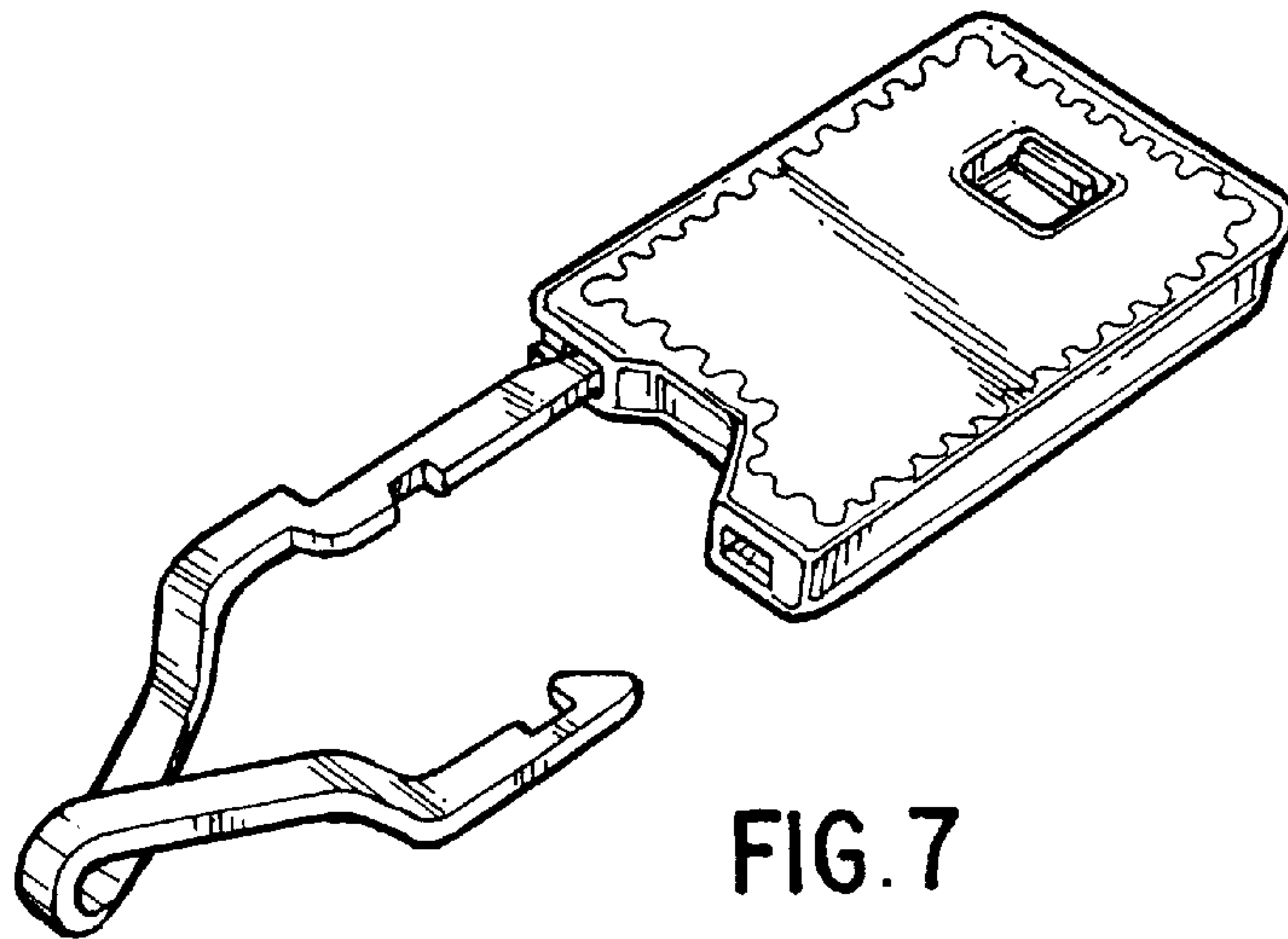


FIG. 7

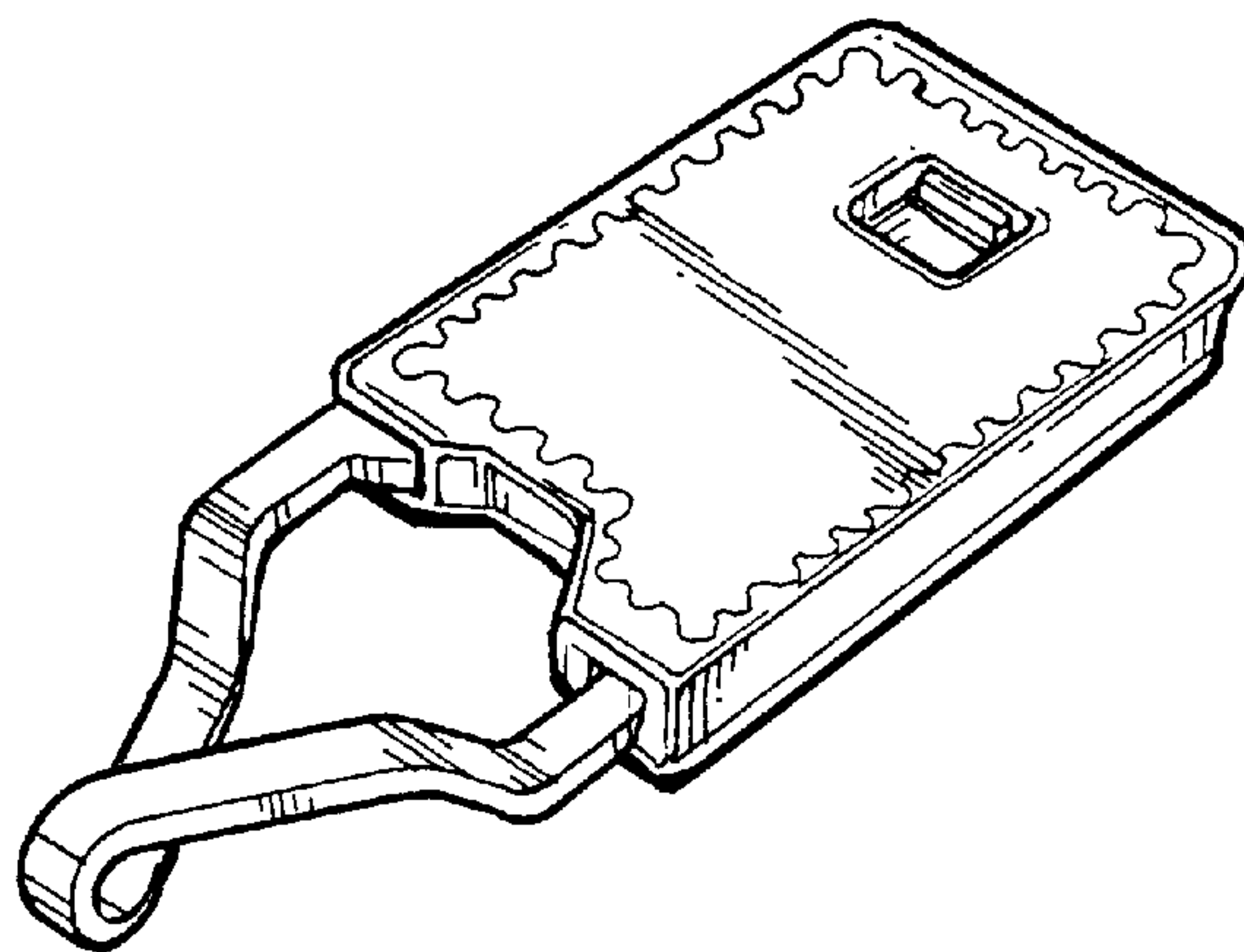


FIG. 8