



US00D436833S

(12) **United States Design Patent**
Turner et al.

(10) **Patent No.:** **US D436,833 S**

(45) **Date of Patent:** **** Jan. 30, 2001**

(54) **PUSH-TO-CLOSE LATCH**

(75) Inventors: **D. Dale Turner**, Honeoye Falls, NY (US); **Stuart Kevan Buckland**, Malvern (GB)

(73) Assignee: **Southco, Inc.**, Concordville, PA (US)

(**) Term: **14 Years**

(21) Appl. No.: **29/102,910**

(22) Filed: **Apr. 5, 1999**

(51) **LOC (7) Cl.** **08-07**

(52) **U.S. Cl.** **D8/331; D8/339; D8/341**

(58) **Field of Search** **D8/330, 331, 339, D8/341, 342, DIG. 1, DIG. 2; 292/80, 86, 168, 170; 70/120, 368, 81**

(56) **References Cited**

U.S. PATENT DOCUMENTS

D. 352,887	*	11/1994	Schlack	D8/334
D. 395,221	*	6/1998	Ryan et al.	D8/330
3,023,600	*	3/1962	Stahl et al.	70/81
3,919,866	*	11/1975	Lipschutz	70/81
4,186,952	*	2/1980	Glass	292/DIG. 38
5,603,535		2/1997	Antonucci et al.	292/128

OTHER PUBLICATIONS

Milk jug cap for plastic milk jug where cap is installed by milk bottler by pressing plastic cap onto plastic bottle and where user unscrews cap to open.

Corbin Locks, No. 02066. Corbin Catalog 206, Jun. 1983, p. 6.*

Chicago Lock Co., No. 77-10, 1964, p. 61.*

* cited by examiner

Primary Examiner—Susan J. Lucas

Assistant Examiner—Jennifer Rivard

(74) *Attorney, Agent, or Firm*—Paul & Paul

(57) **CLAIM**

The ornamental design for a push-to-close latch, as shown and described.

DESCRIPTION

FIG. 1 is a perspective view of a push-to-close latch showing my new design.

FIG. 2 is a bottom plan view of the push-to-close latch of FIG. 1.

FIG. 3 is a right side elevation view of the push-to-close latch of FIG. 1.

FIG. 4 is a top plan view of the push-to-close latch of FIG. 1.

FIG. 5 is a left side elevation view of the push-to-close latch of FIG. 1.

FIG. 6 is a front elevation view of the push-to-close latch of FIG. 1.

FIG. 7 is a rear elevation view of the push-to-close latch of FIG. 1.

FIG. 8 is a right side view of a push-to-close latch showing a second embodiment push-to-close latch of my new design. The left side view is identical.

FIG. 9 is a front elevation view of the push-to-close latch of FIG. 8. The rear view is identical.

FIG. 10 is a top plan view of the push-to-close latch of FIG. 8.

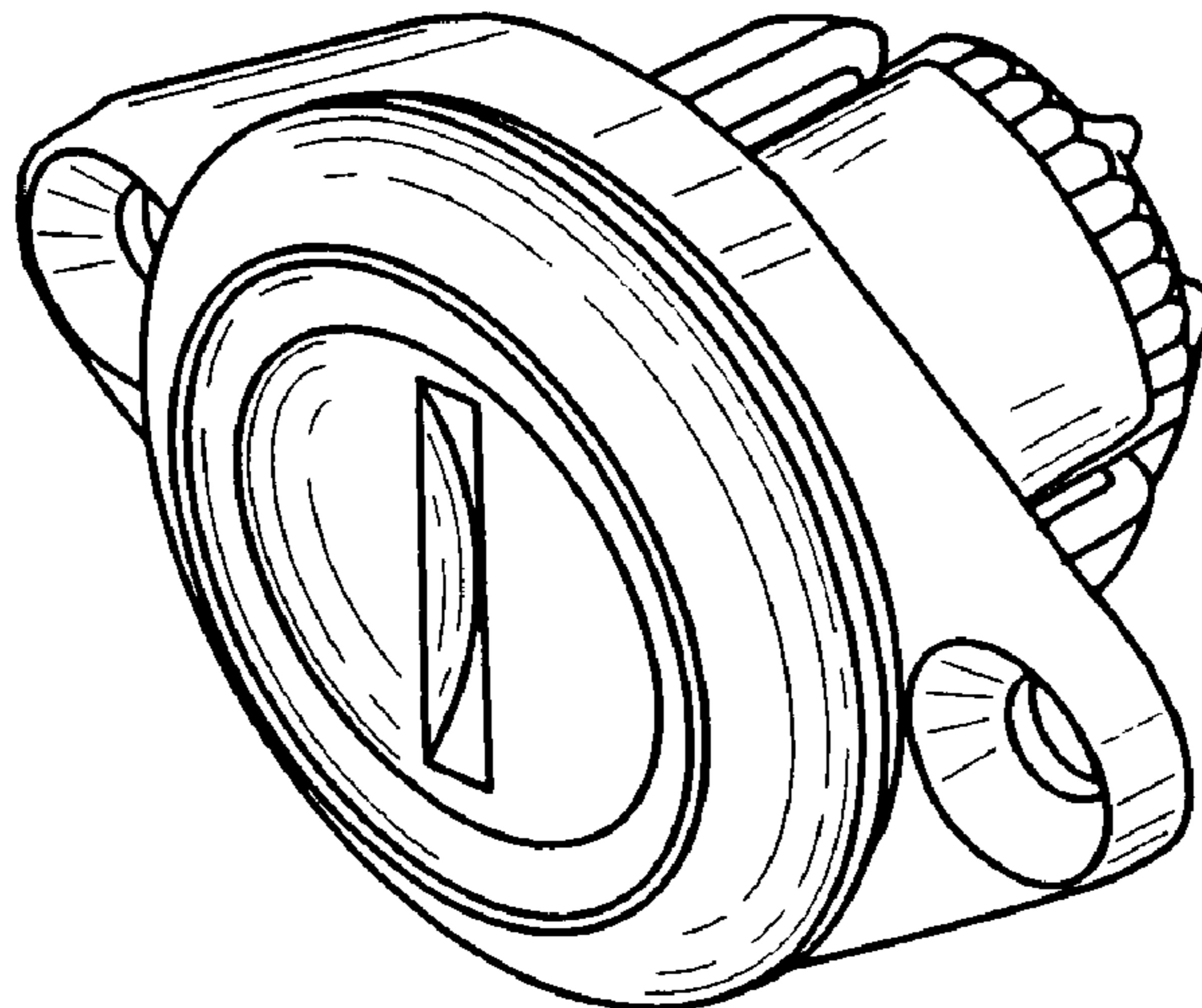
FIG. 11 is a right side view of a push-to-close latch showing a third embodiment push-to-close latch of my new design. The left side view is identical.

FIG. 12 is a front elevation view of the push-to-close latch of FIG. 11. The rear view is identical; and,

FIG. 13 is a top plan view of the push-to-close latch of FIG. 11.

The bottom views of the second and third embodiments are identical to FIG. 2.

1 Claim, 3 Drawing Sheets



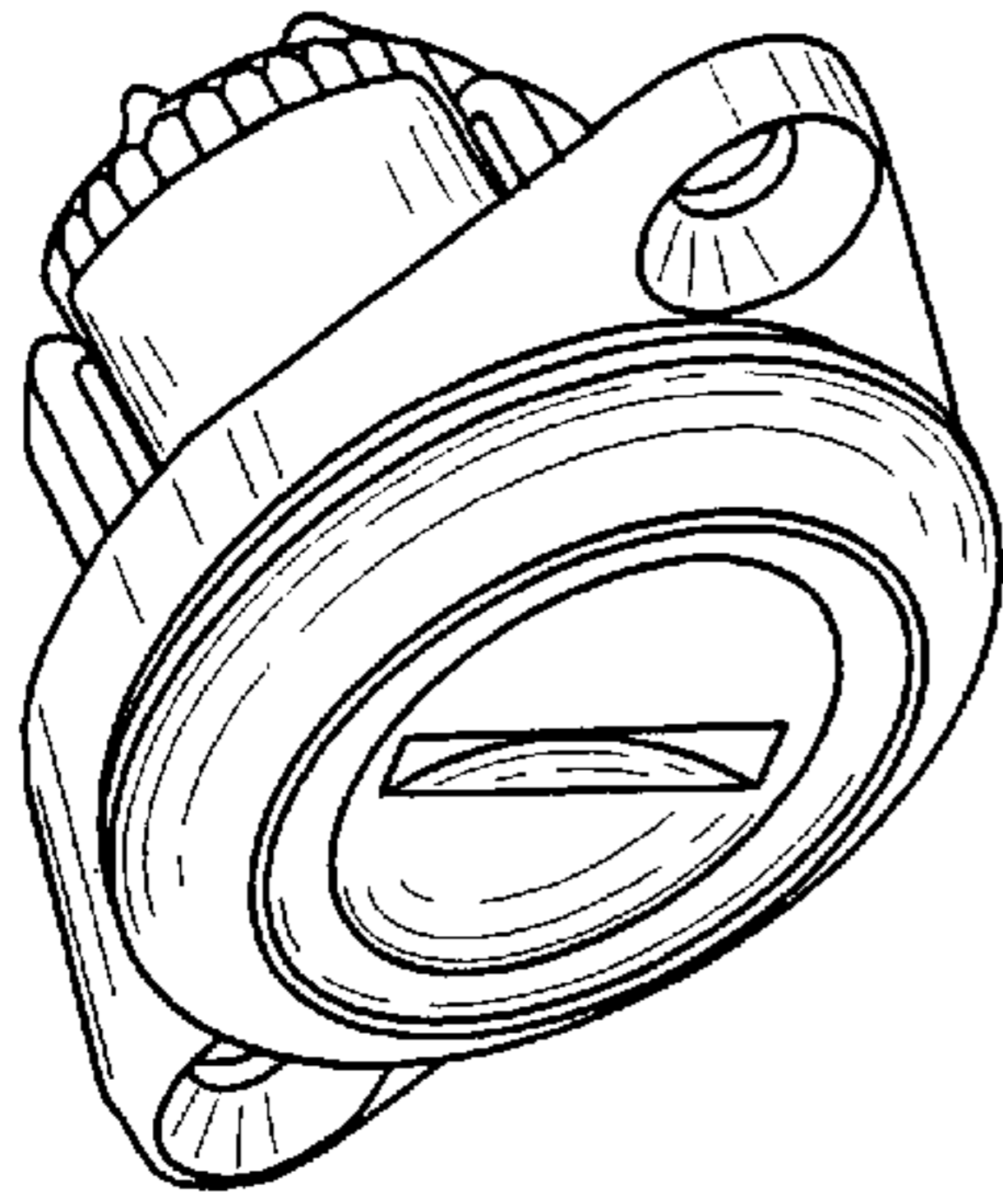


FIG. 1

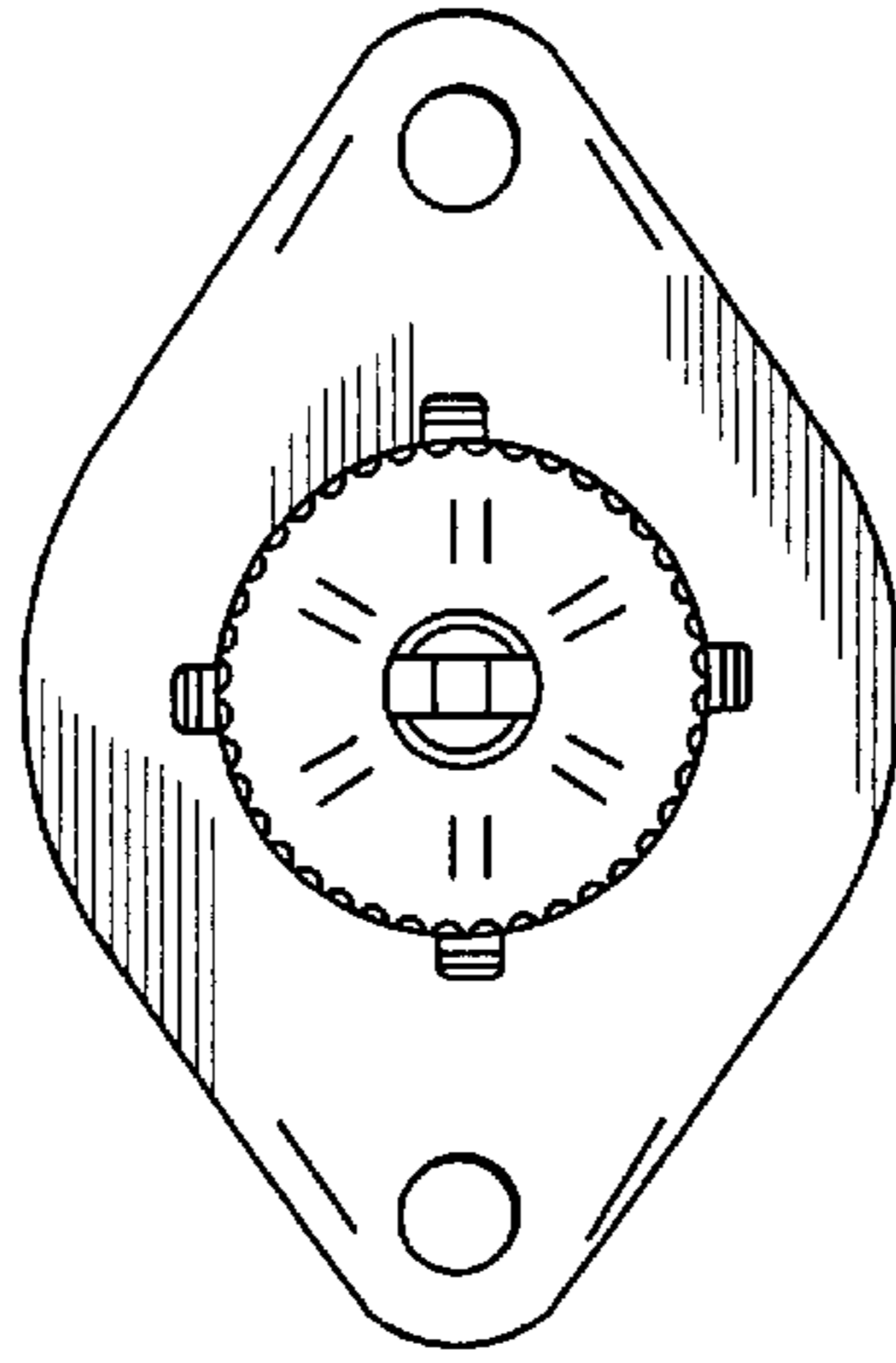


FIG. 2

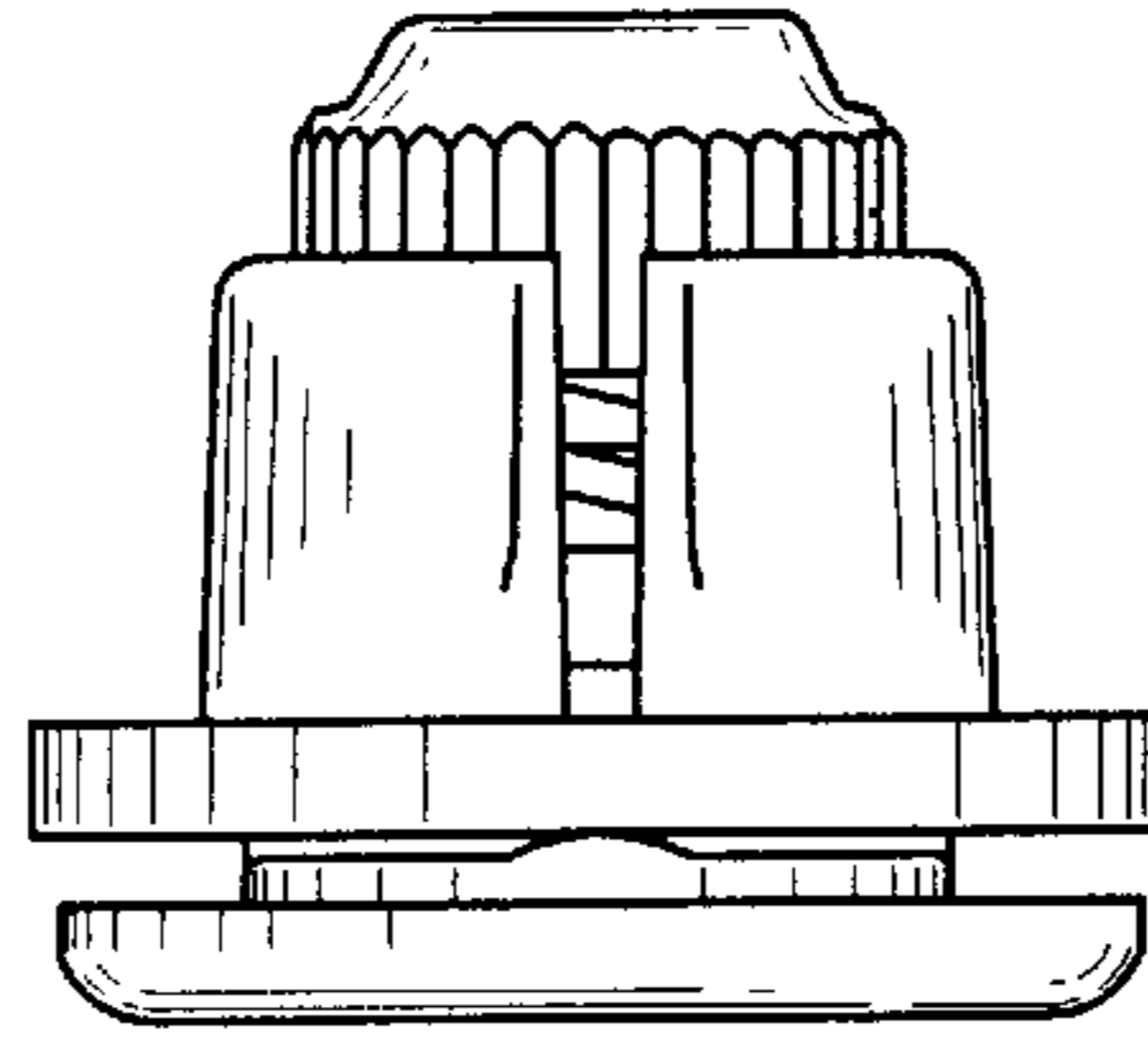


FIG. 3

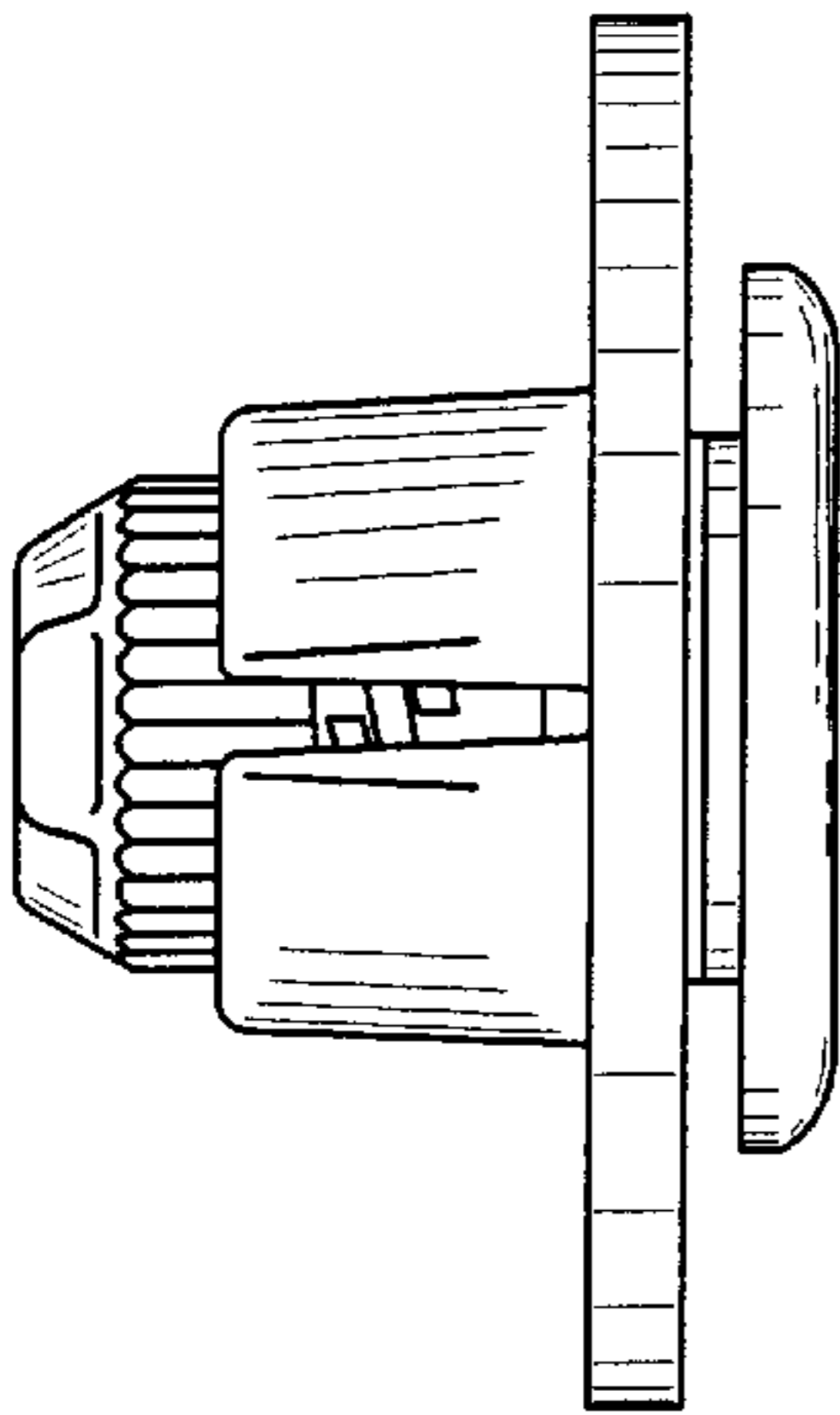


FIG. 4

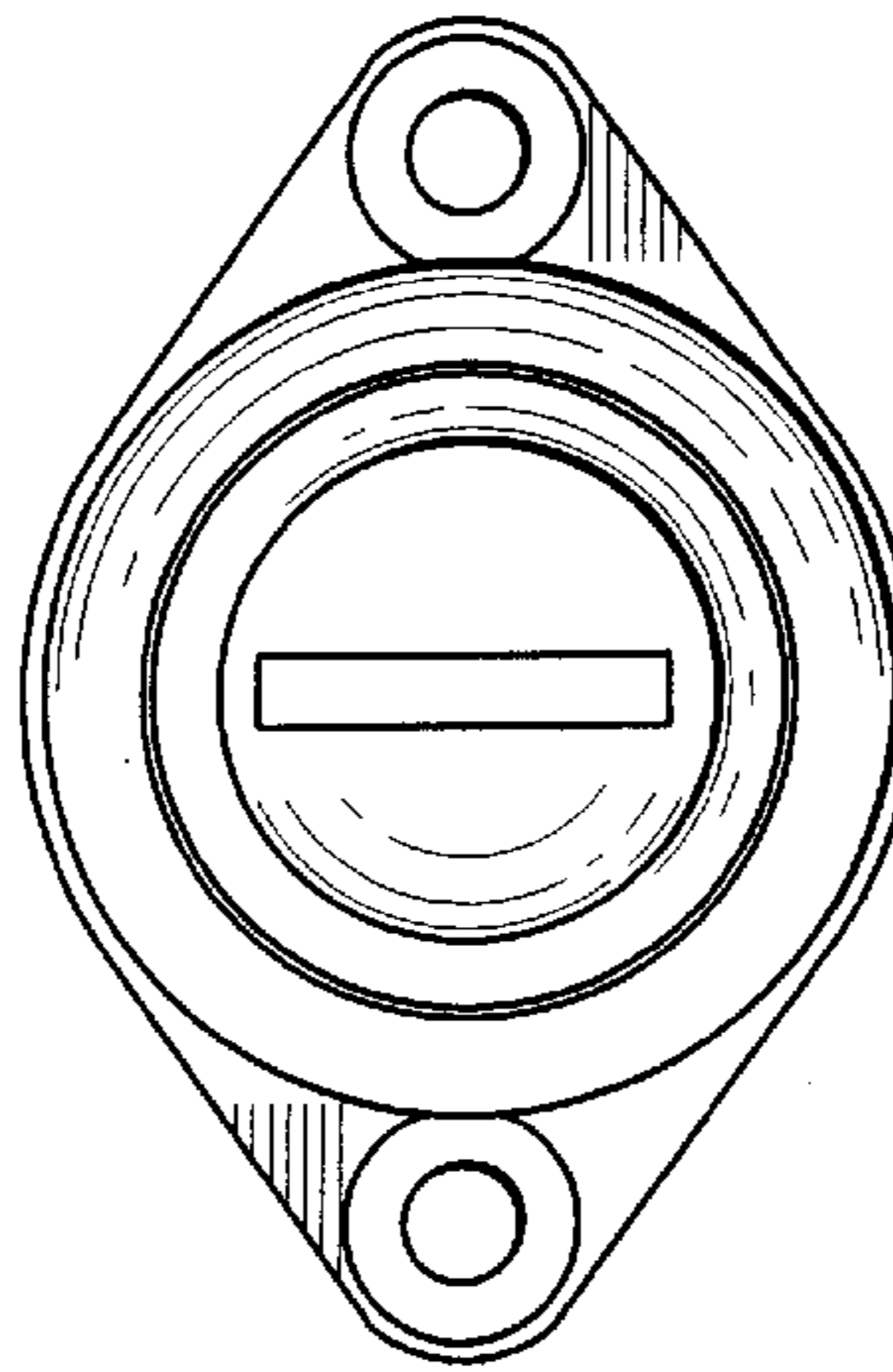


FIG. 5

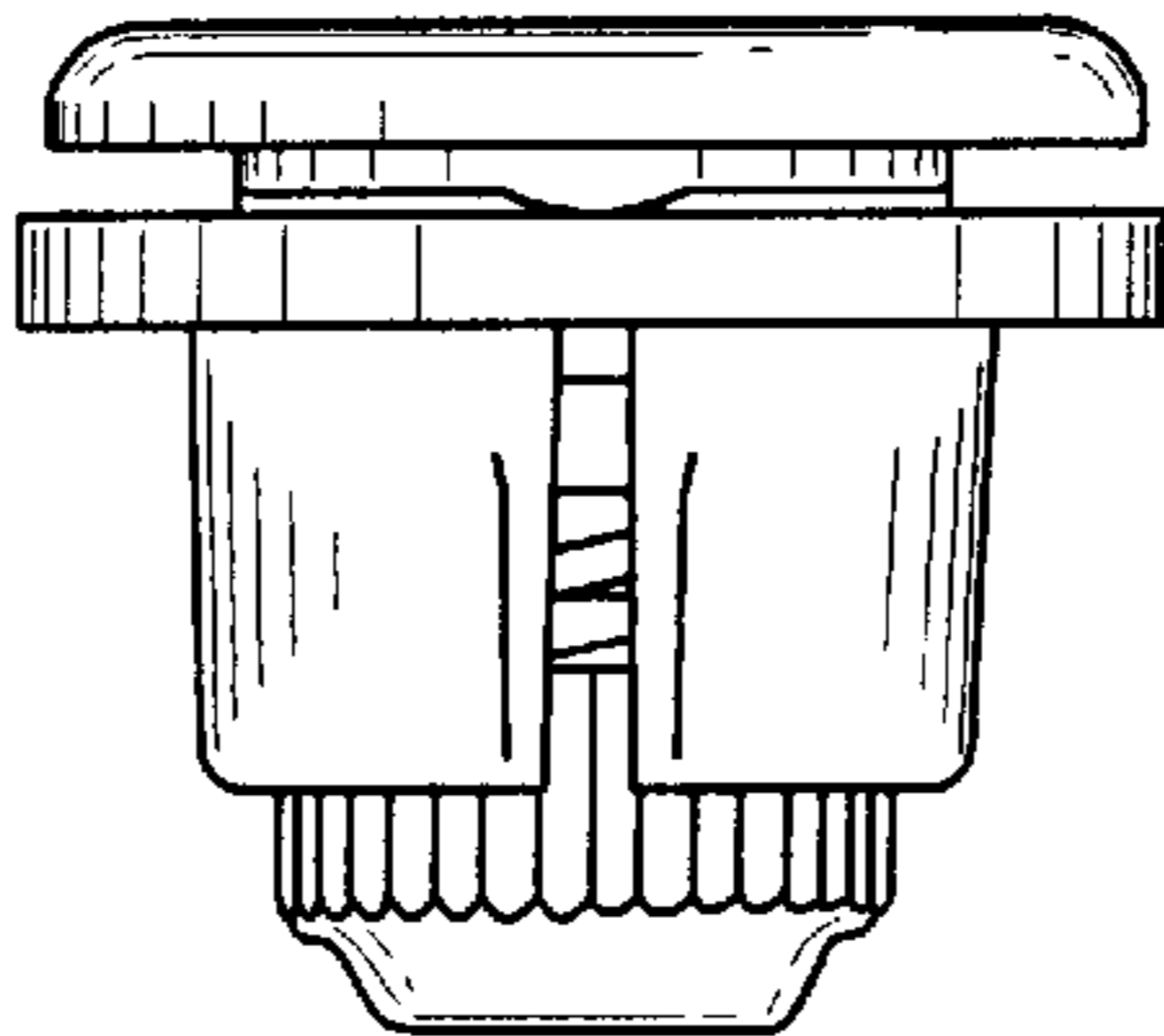


FIG. 6

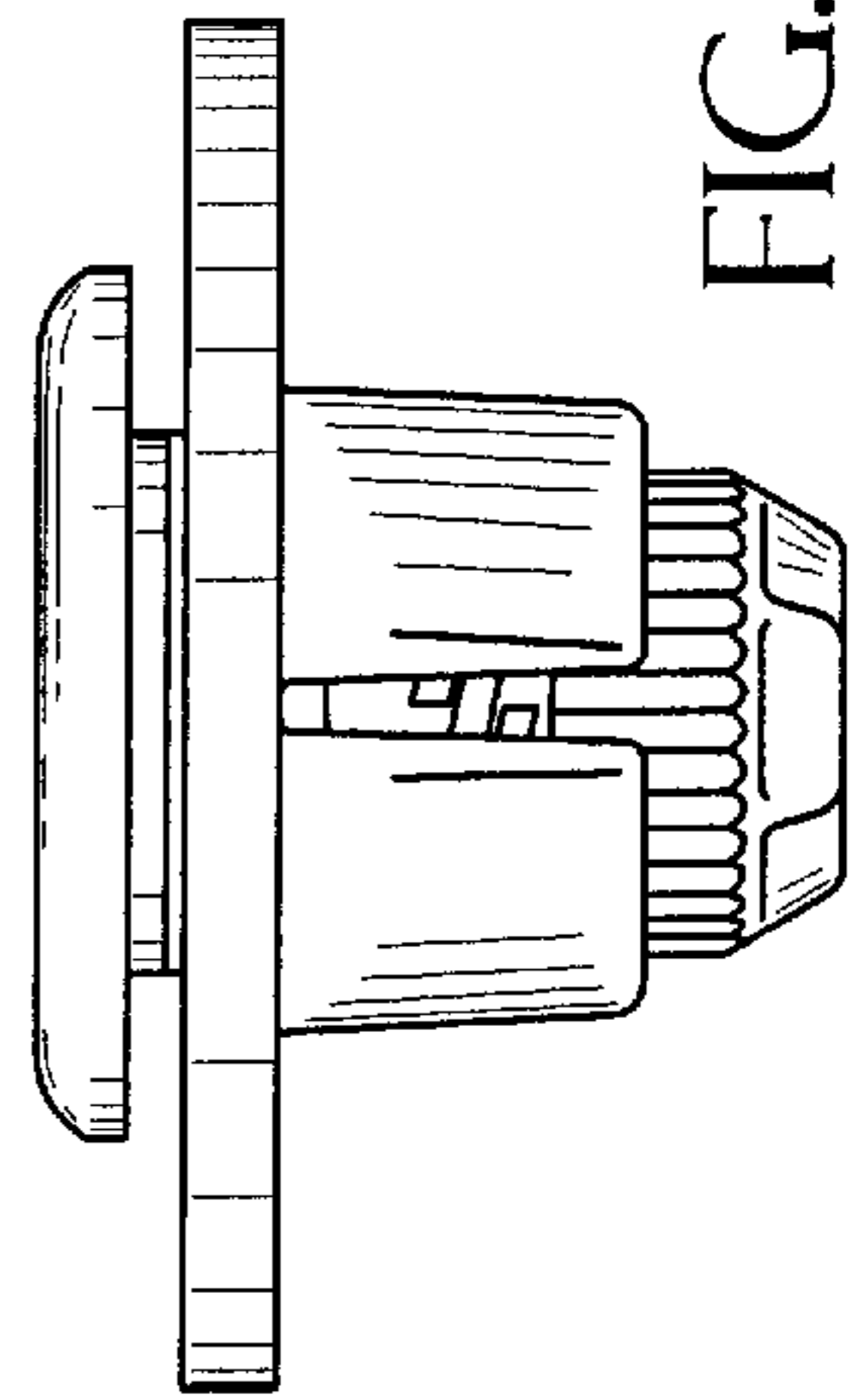


FIG. 7

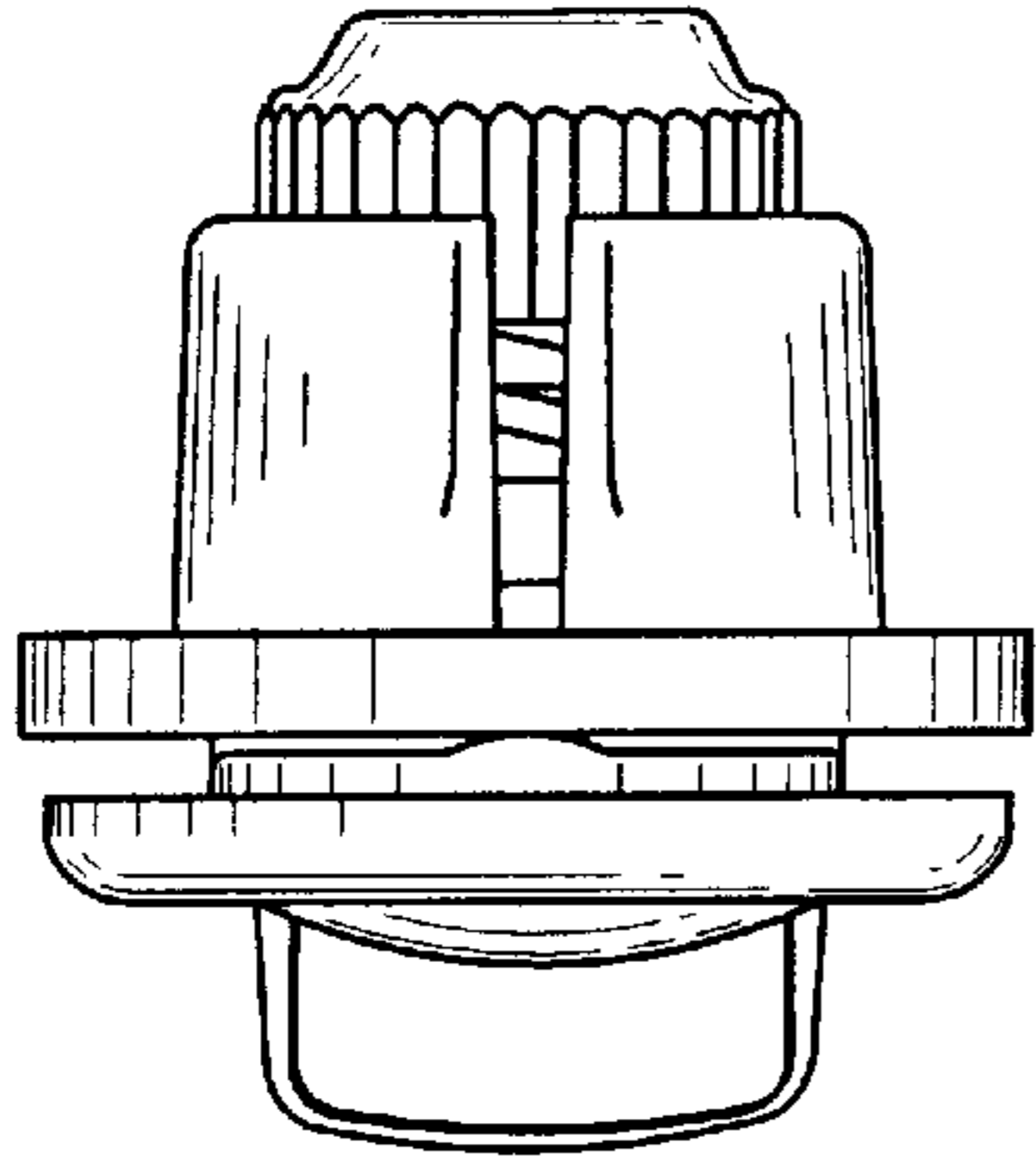


FIG. 8

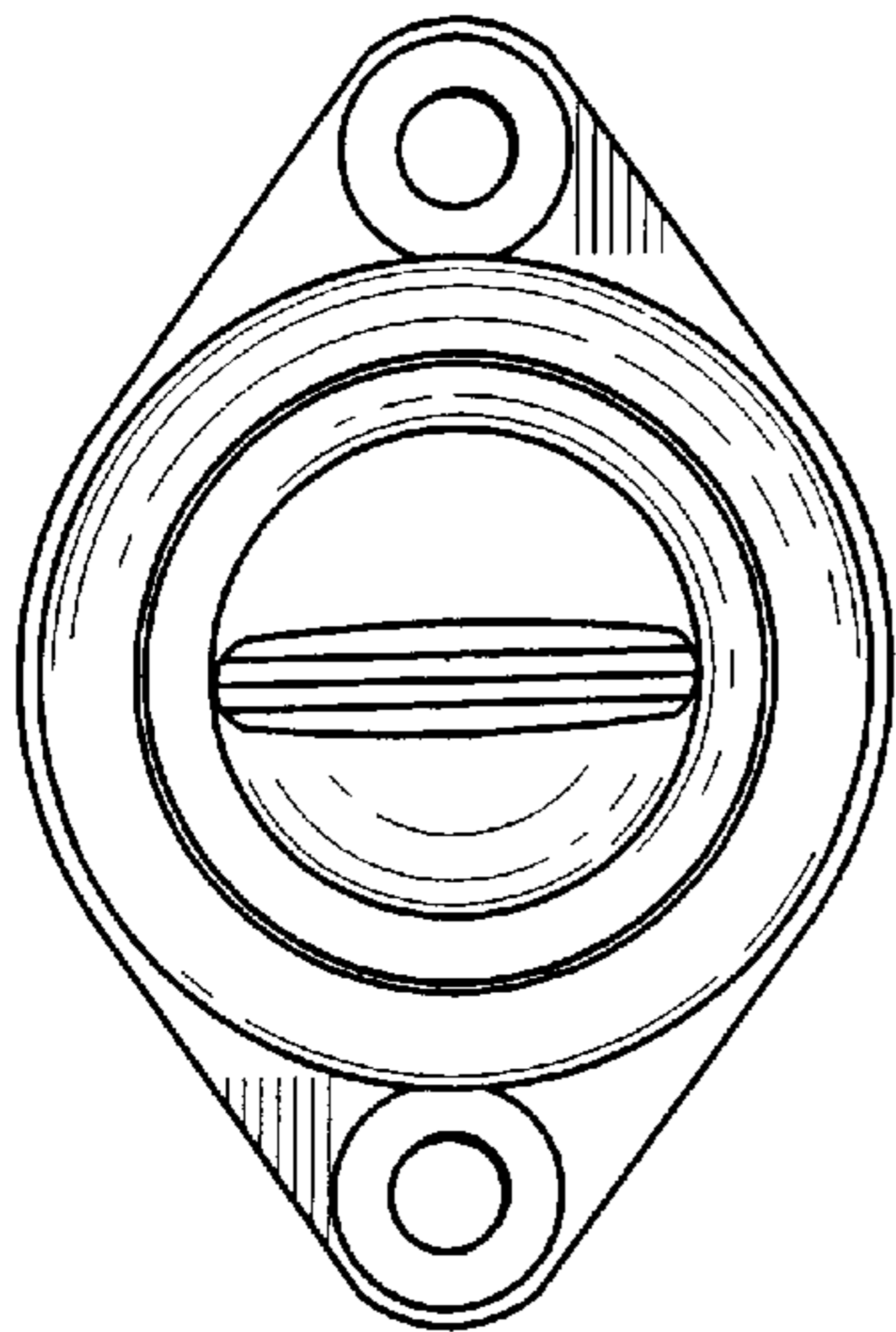


FIG. 10

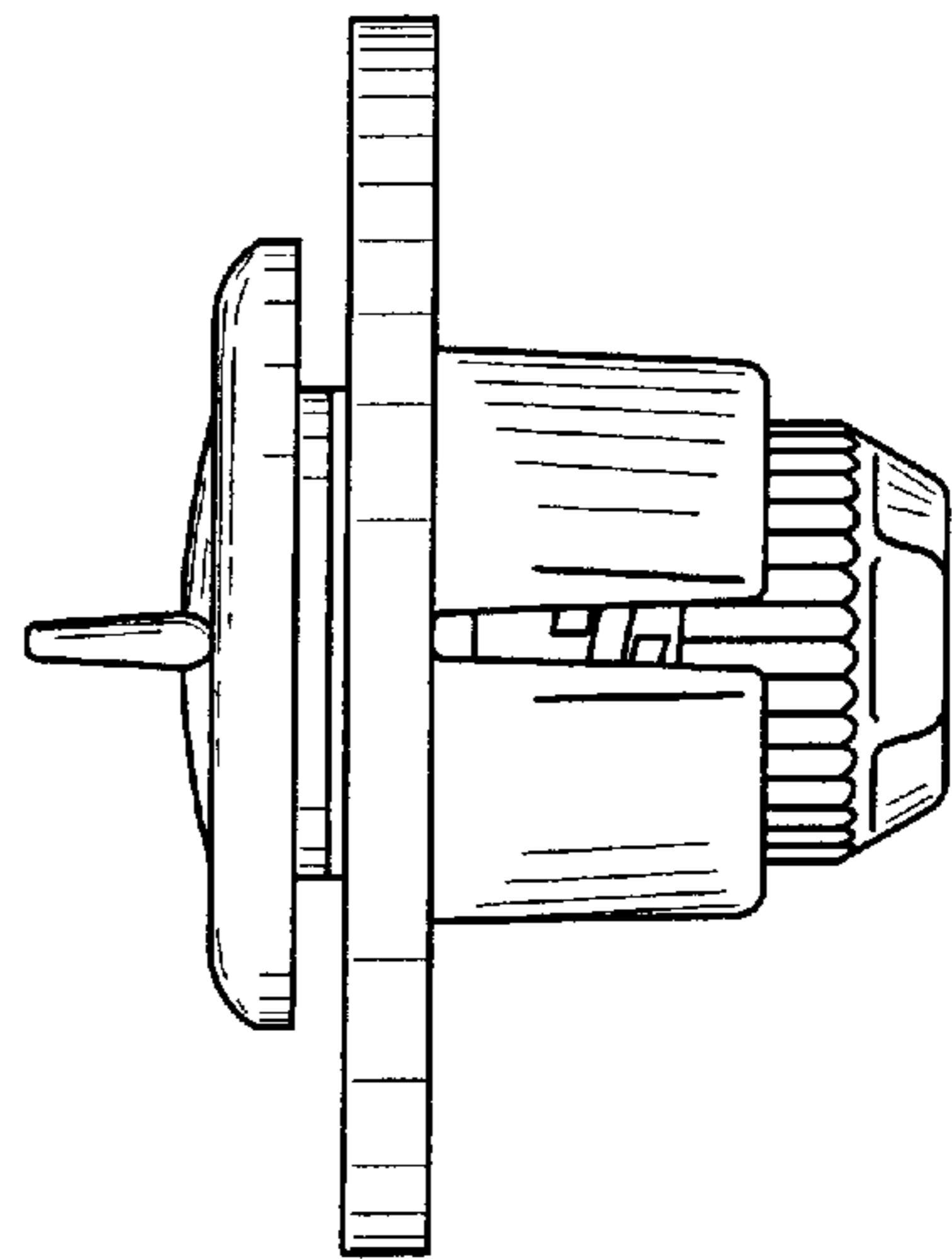


FIG. 9

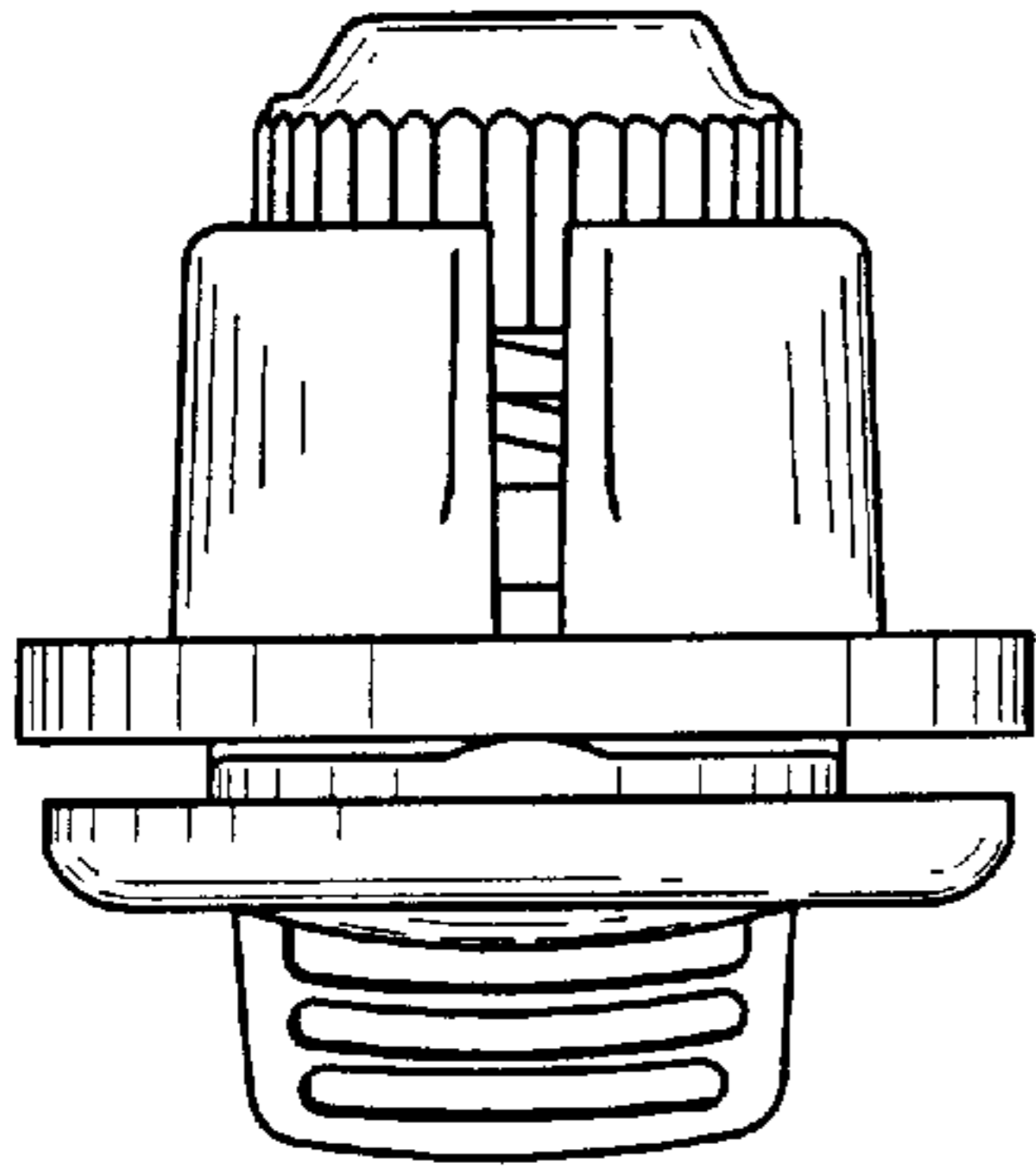


FIG. 11

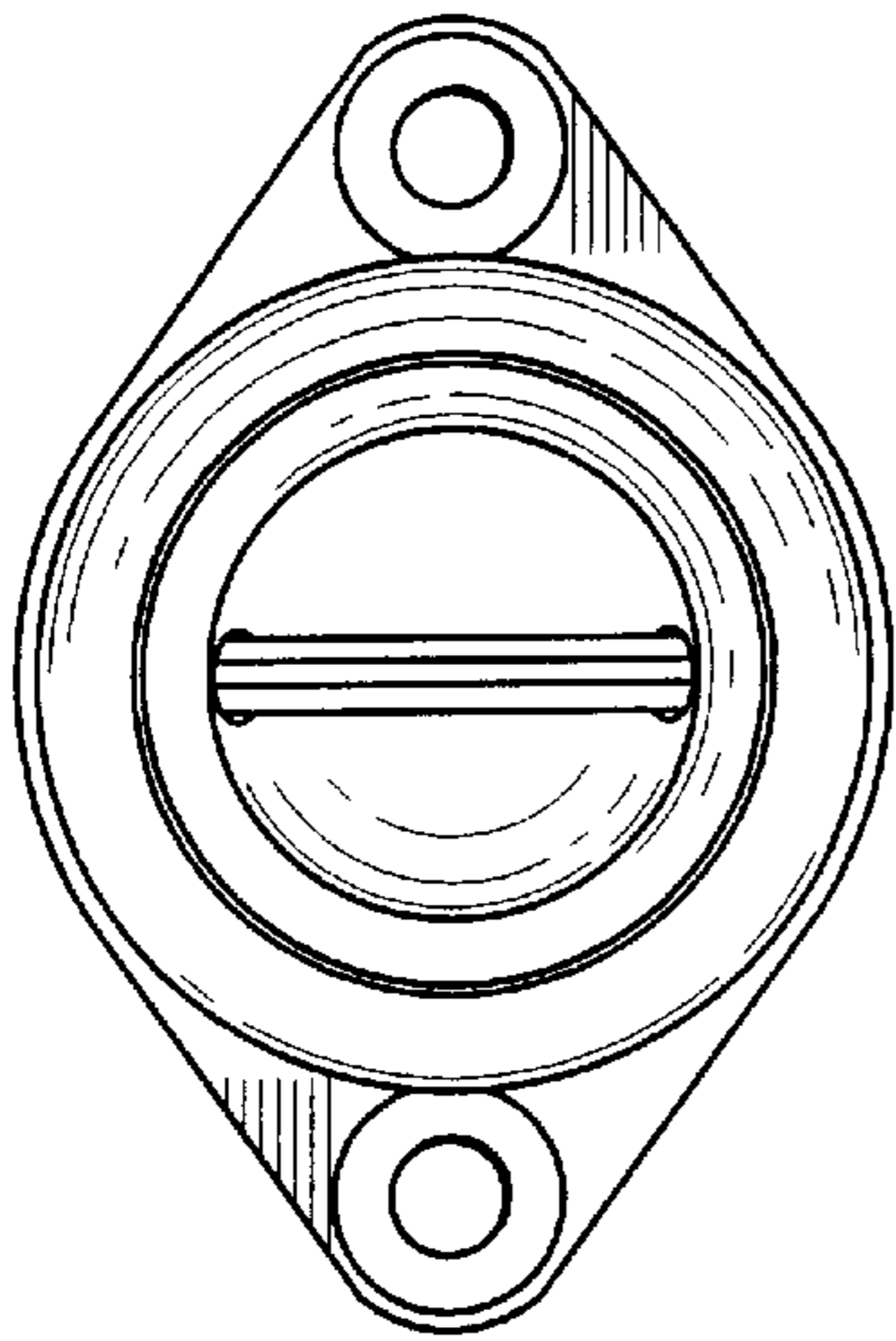


FIG. 13

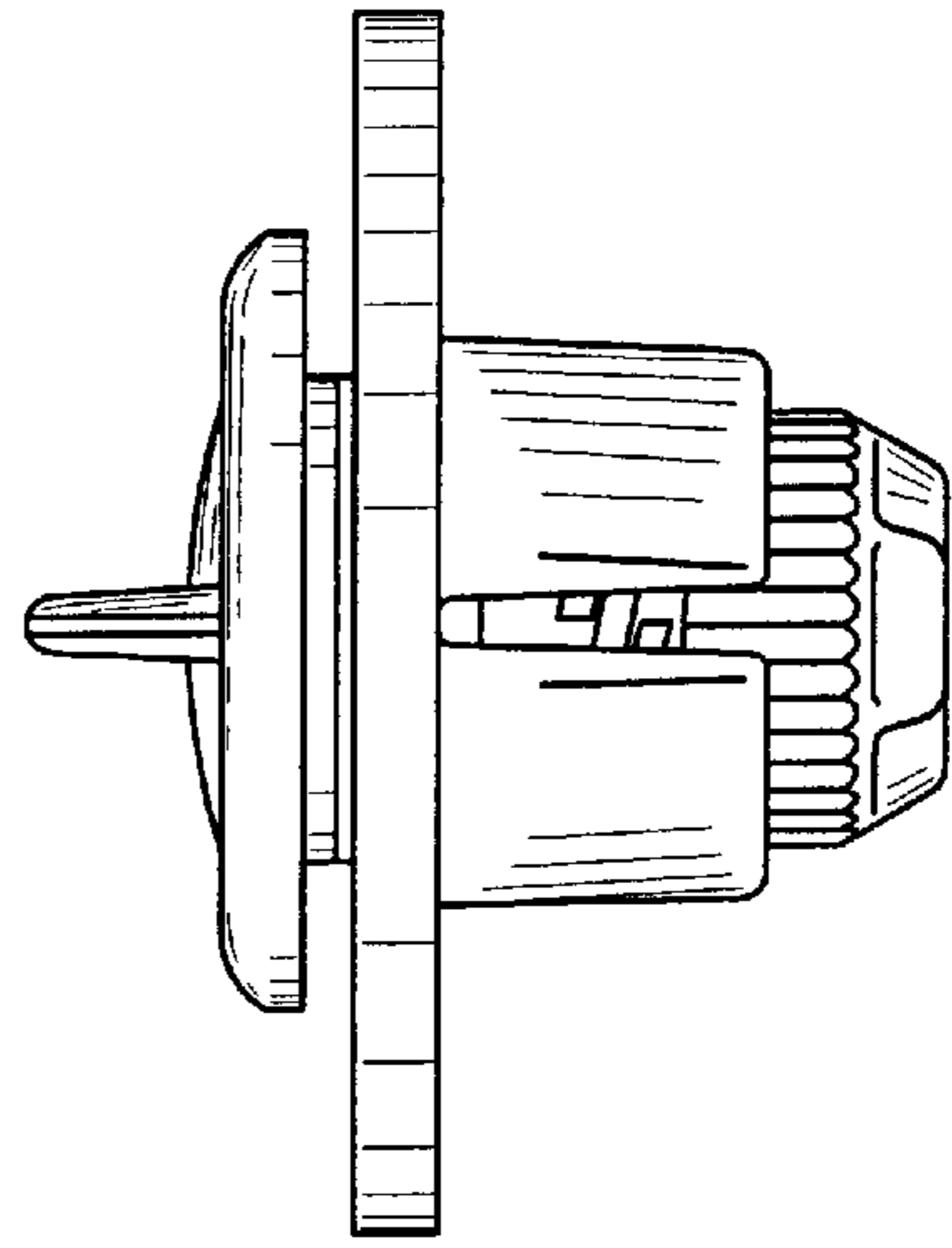


FIG. 12