



US00D436832S

(12) **United States Design Patent**  
**Matsuo et al.**

(10) **Patent No.:** **US D436,832 S**  
(45) **Date of Patent:** **\*\* Jan. 30, 2001**

(54) **OPENING AND CLOSING HANDLE OF A COVER**

D. 297,808 \* 9/1988 King ..... D8/313  
D. 322,385 \* 12/1991 Simonton et al. .... D8/313  
D. 402,528 \* 12/1998 Brucker ..... D8/313  
5,134,754 \* 8/1992 Vickers .

(75) Inventors: **Toshihiko Matsuo; Hiroshi Nakada,**  
both of Yokohama (JP); **William T. Clark,**  
Rochester, NY (US)

\* cited by examiner

(73) Assignee: **Fuji Xerox Co., Ltd.,** Tokyo (JP)

*Primary Examiner*—B. J. Bullock

(\*\*) Term: **14 Years**

(74) *Attorney, Agent, or Firm*—Oliff & Berridge, PLC

(21) Appl. No.: **29/108,767**

(22) Filed: **Aug. 4, 1999**

(57) **CLAIM**

The ornamental design for an opening and closing handle of a cover, as shown and described.

(30) **Foreign Application Priority Data**

Feb. 9, 1999 (JP) ..... 11-2774

**DESCRIPTION**

(51) **LOC (7) Cl.** ..... **08-06**

(52) **U.S. Cl.** ..... **D8/313**

(58) **Field of Search** ..... D8/313, 314; 16/412,  
16/415, 416; 312/244, 348.6

FIG. 1 is a perspective view of the top, front and right side of an opening and closing handle of a cover showing our new design;

FIG. 2 is a top plan view thereof;

FIG. 3 is a front view thereof;

FIG. 4 is a right side view thereof;

FIG. 5 is a rear view thereof; and,

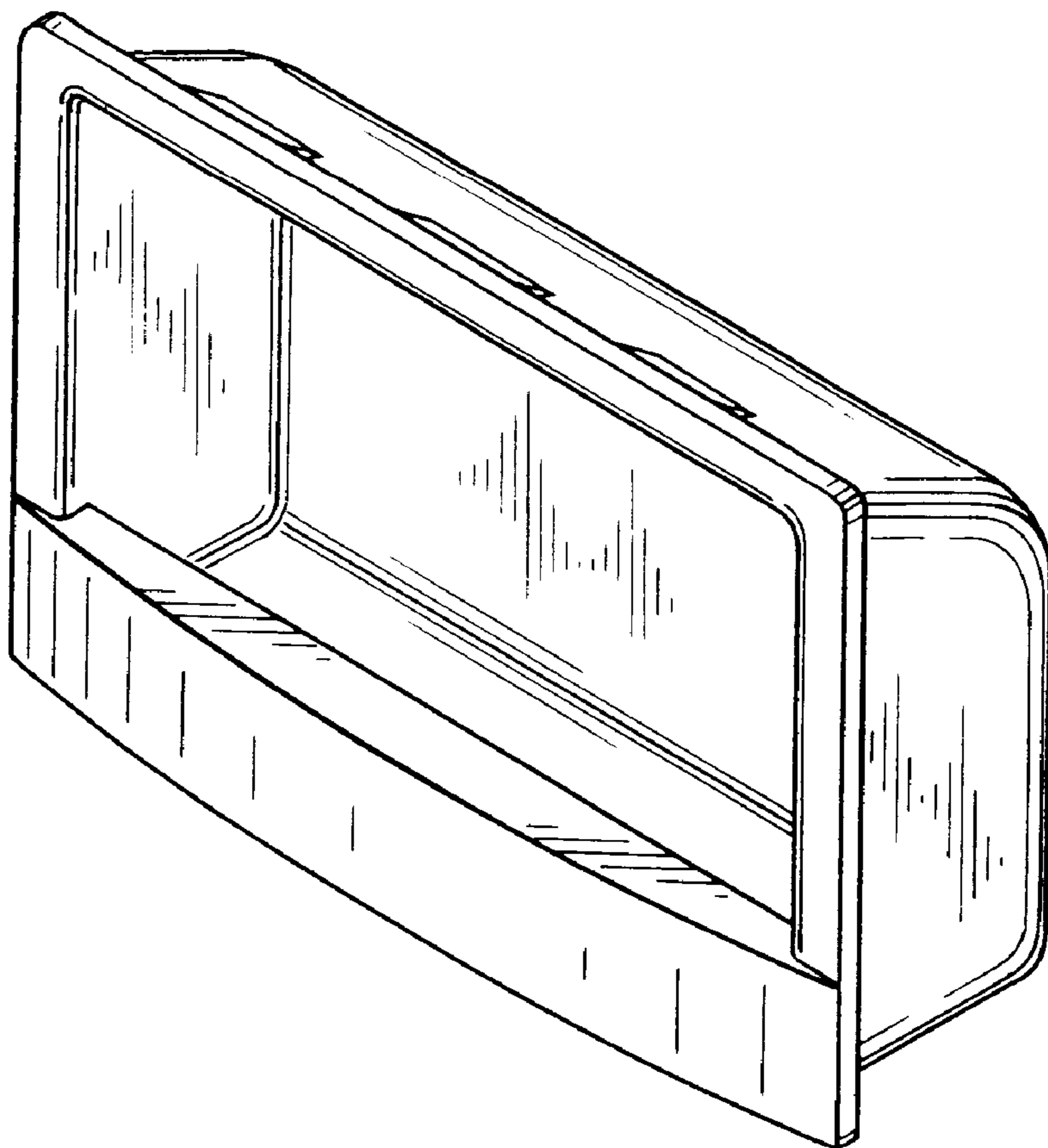
FIG. 6 is a bottom view thereof.

(56) **References Cited**

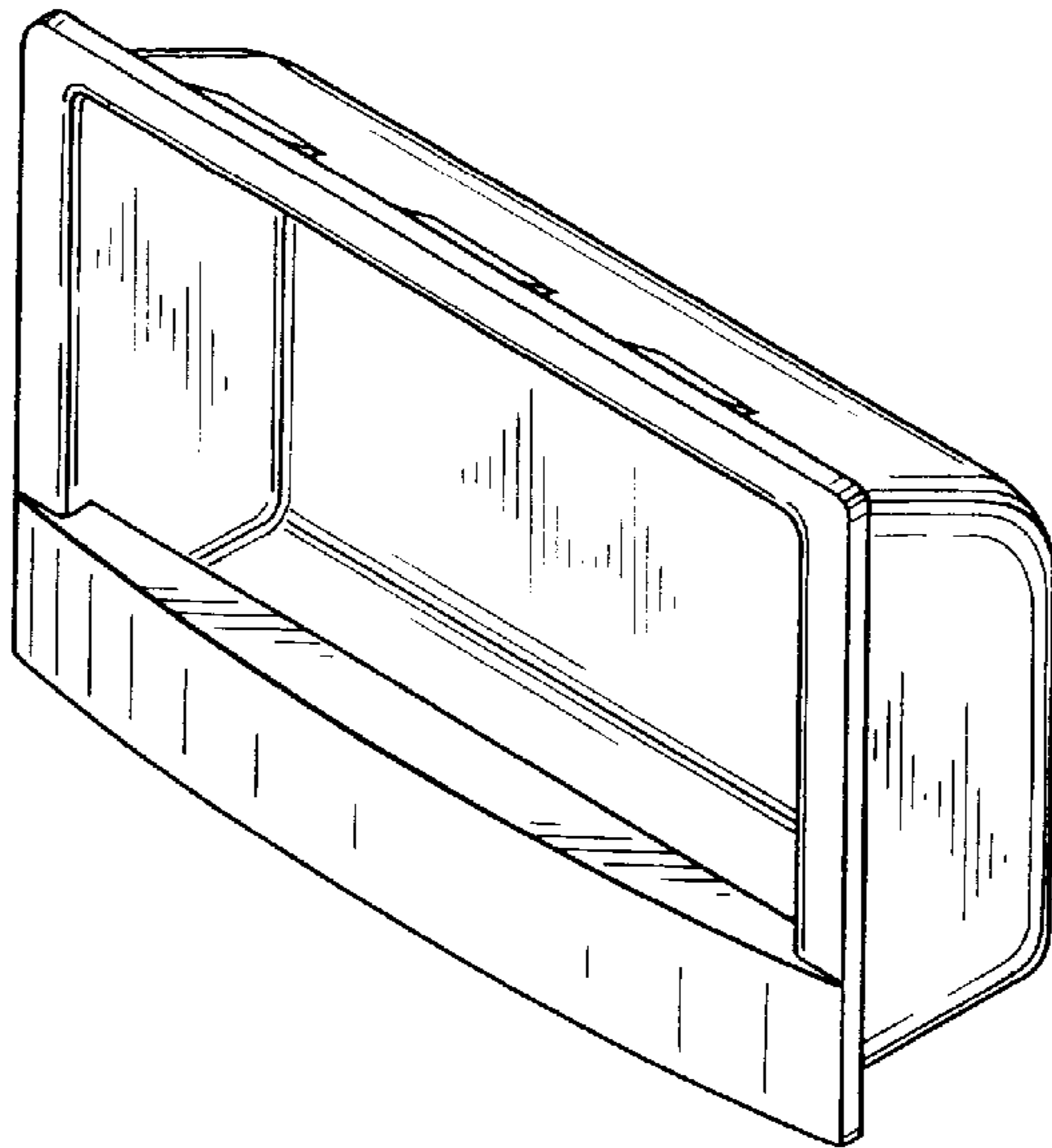
**U.S. PATENT DOCUMENTS**

D. 183,429 \* 8/1958 Reynolds .

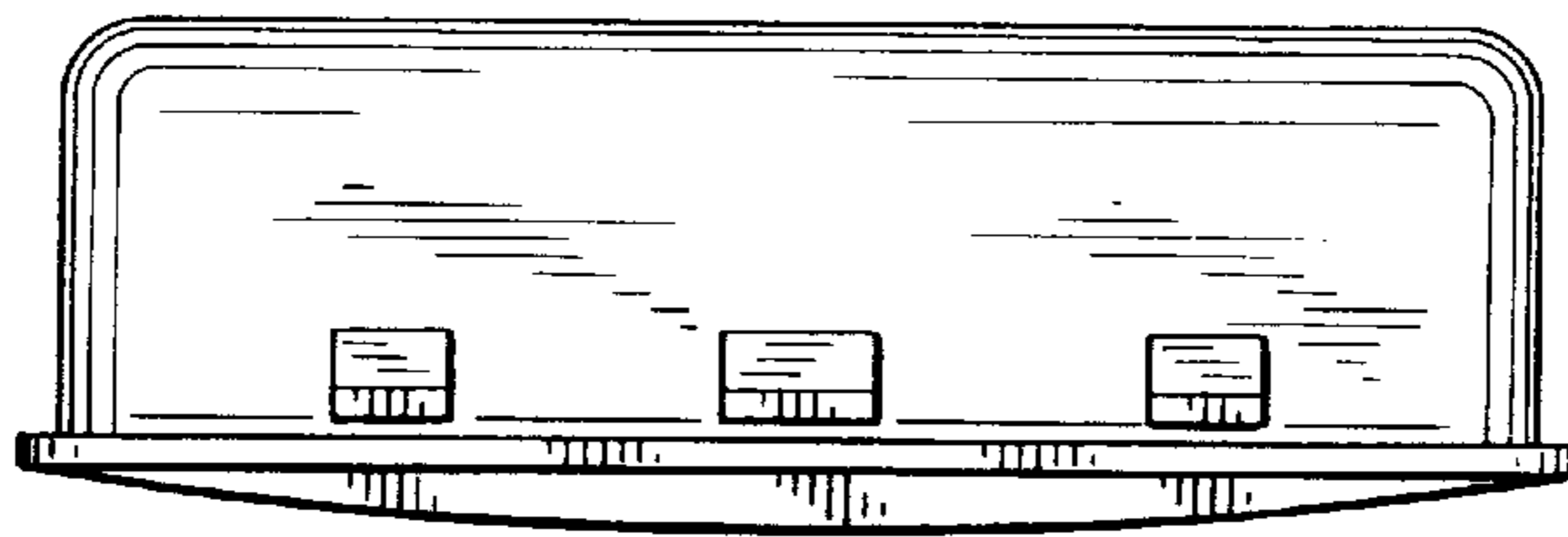
**1 Claim, 2 Drawing Sheets**



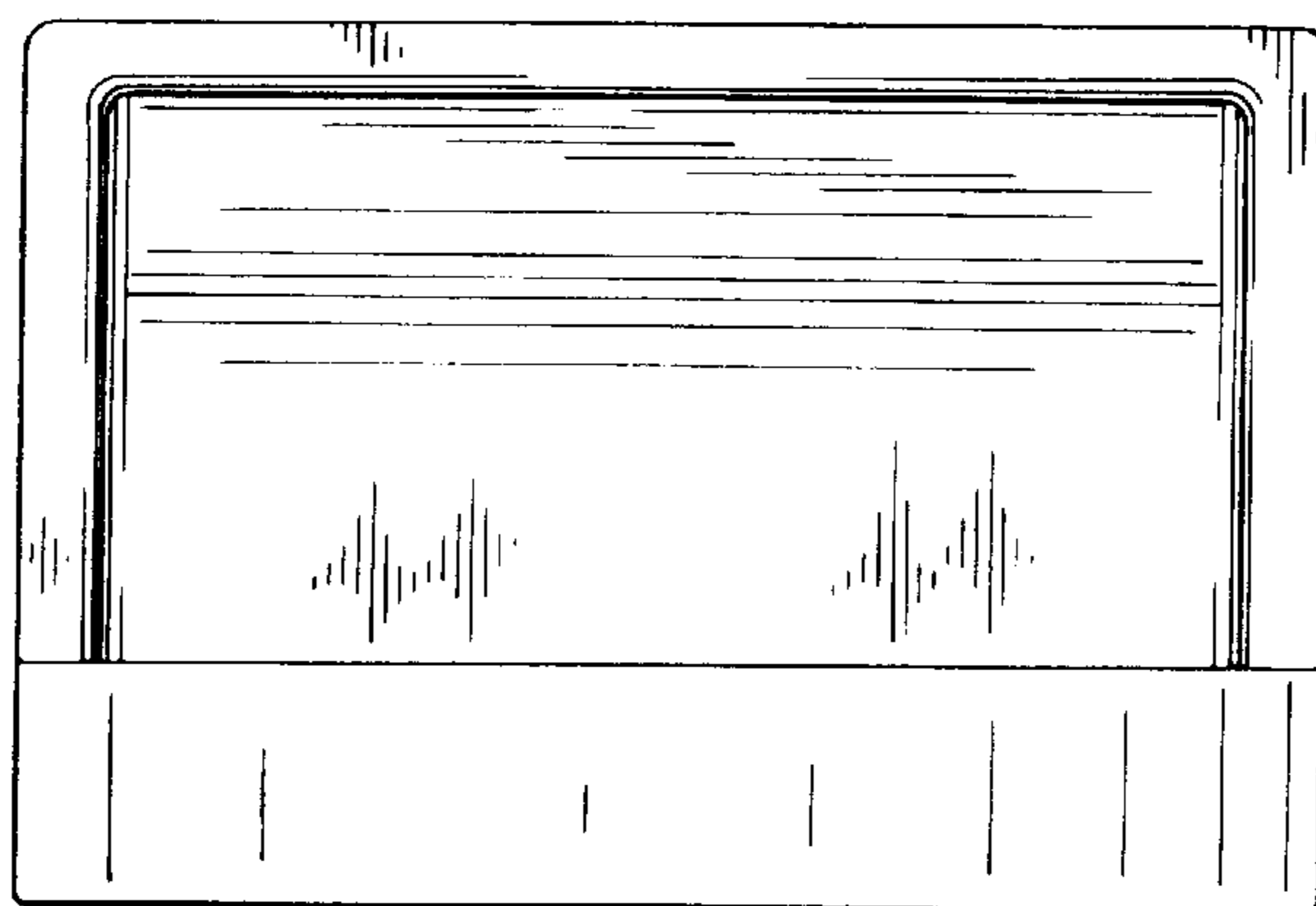
*FIG. 1*



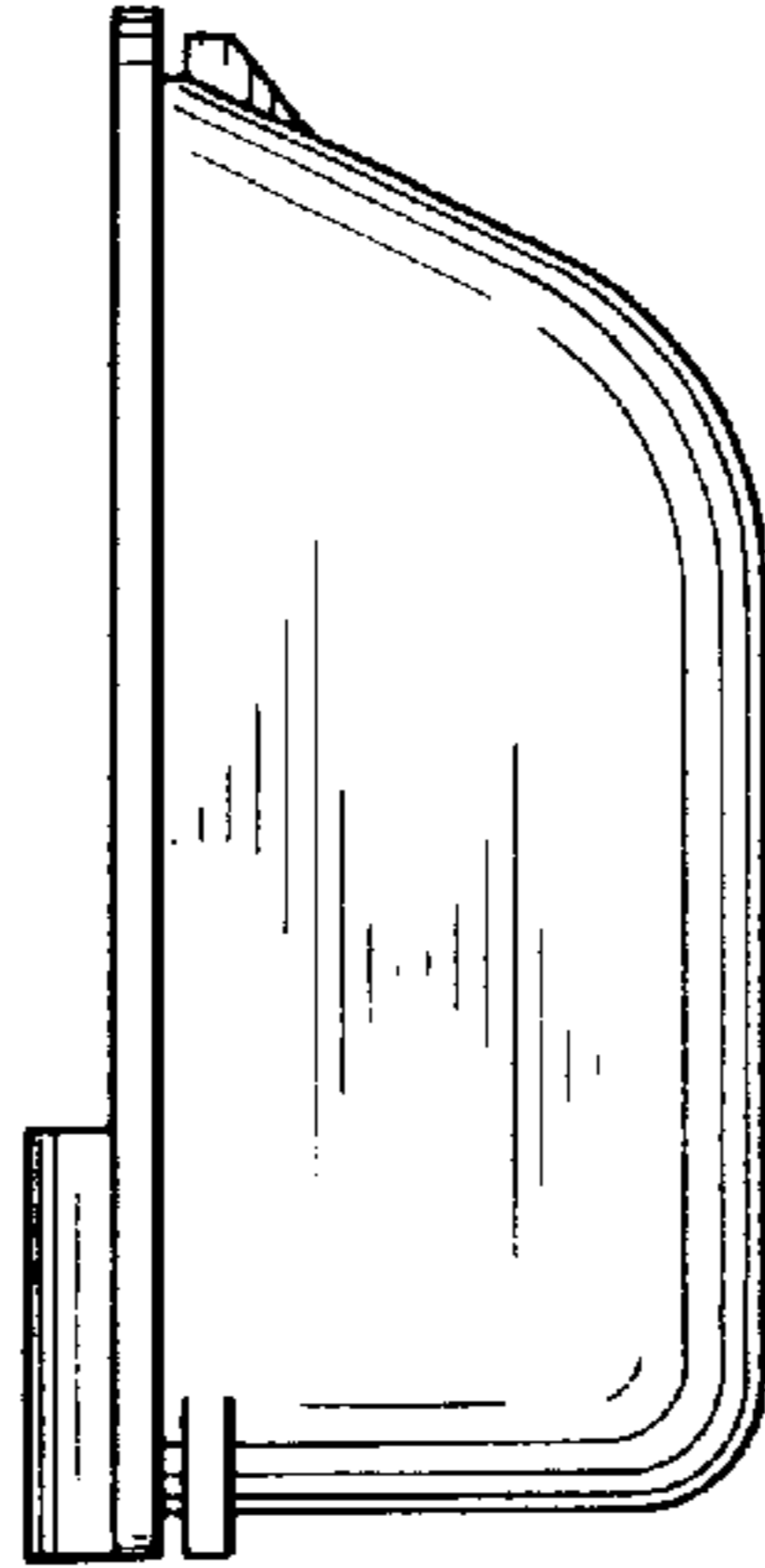
*FIG. 2*



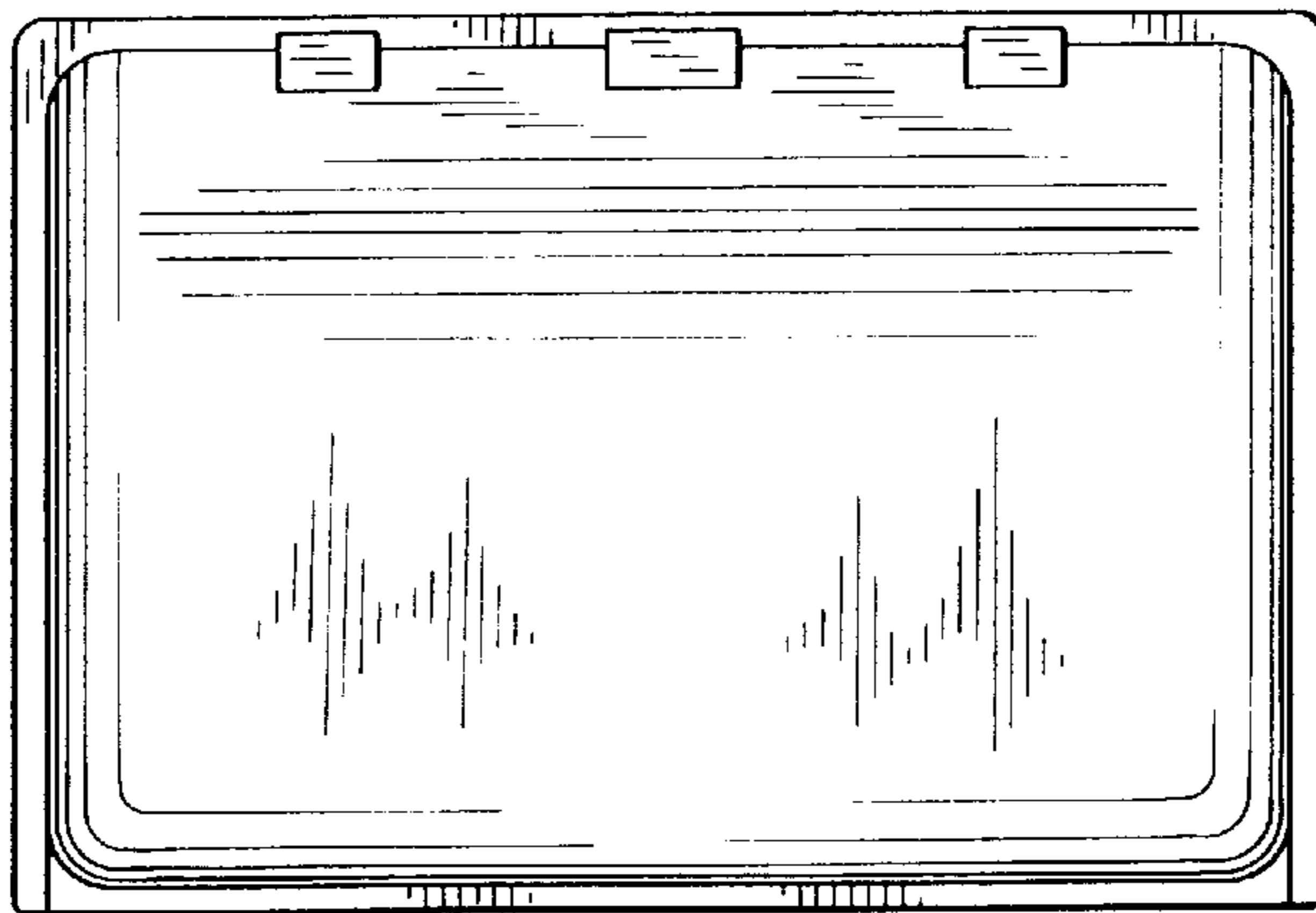
*FIG. 3*



*FIG. 4*



*FIG. 5*



*FIG. 6*

