



US00D436828S

(12) **United States Design Patent**  
**Benktzon et al.**

(10) **Patent No.:** **US D436,828 S**

(45) **Date of Patent:** **\*\* Jan. 30, 2001**

(54) **TOOL HANDLE**

(75) Inventors: **Maria Benktzon**, Sollentuna;  
**Sven-Eric Juhlin**, Stockholm, both of  
(SE)

(73) Assignee: **Isaberg Rapid AB**, Hestra (SE)

(\*\*) Term: **14 Years**

(21) Appl. No.: **29/113,679**

(22) Filed: **Nov. 10, 1999**

(30) **Foreign Application Priority Data**

Sep. 10, 1999 (GB) ..... 2086571

(51) **LOC (7) Cl.** ..... **08-05**

(52) **U.S. Cl.** ..... **D8/107**

(58) **Field of Search** ..... D8/49, 50, 51,  
D8/61, 107, 300, 303, DIG. 7, DIG. 8;  
D7/393, 395, 642, 649, 664; 16/110.1,  
111.1, 421, 422, 430, 431, DIG. 12, DIG. 18,  
DIG. 19; 227/127, 128, 132, 134, 156;  
482/49, 126

(56) **References Cited**

**U.S. PATENT DOCUMENTS**

D. 337,505 \* 7/1993 Ming-Chang ..... D8/303

D. 394,592 \* 5/1998 Brunsdon et al. .... D8/50  
D. 406,996 \* 3/1999 Matthes ..... D8/50  
D. 429,990 \* 8/2000 Kunkler ..... D8/303  
5,511,716 \* 4/1996 Marks ..... 227/132  
5,525,889 \* 6/1996 Chan et al. .... D8/61

\* cited by examiner

*Primary Examiner*—Alan P. Douglas

*Assistant Examiner*—Reid Hecker

(74) *Attorney, Agent, or Firm*—Vorys, Sater, Seymour and  
Pease LLP

(57) **CLAIM**

The ornamental design for a tool handle, as shown.

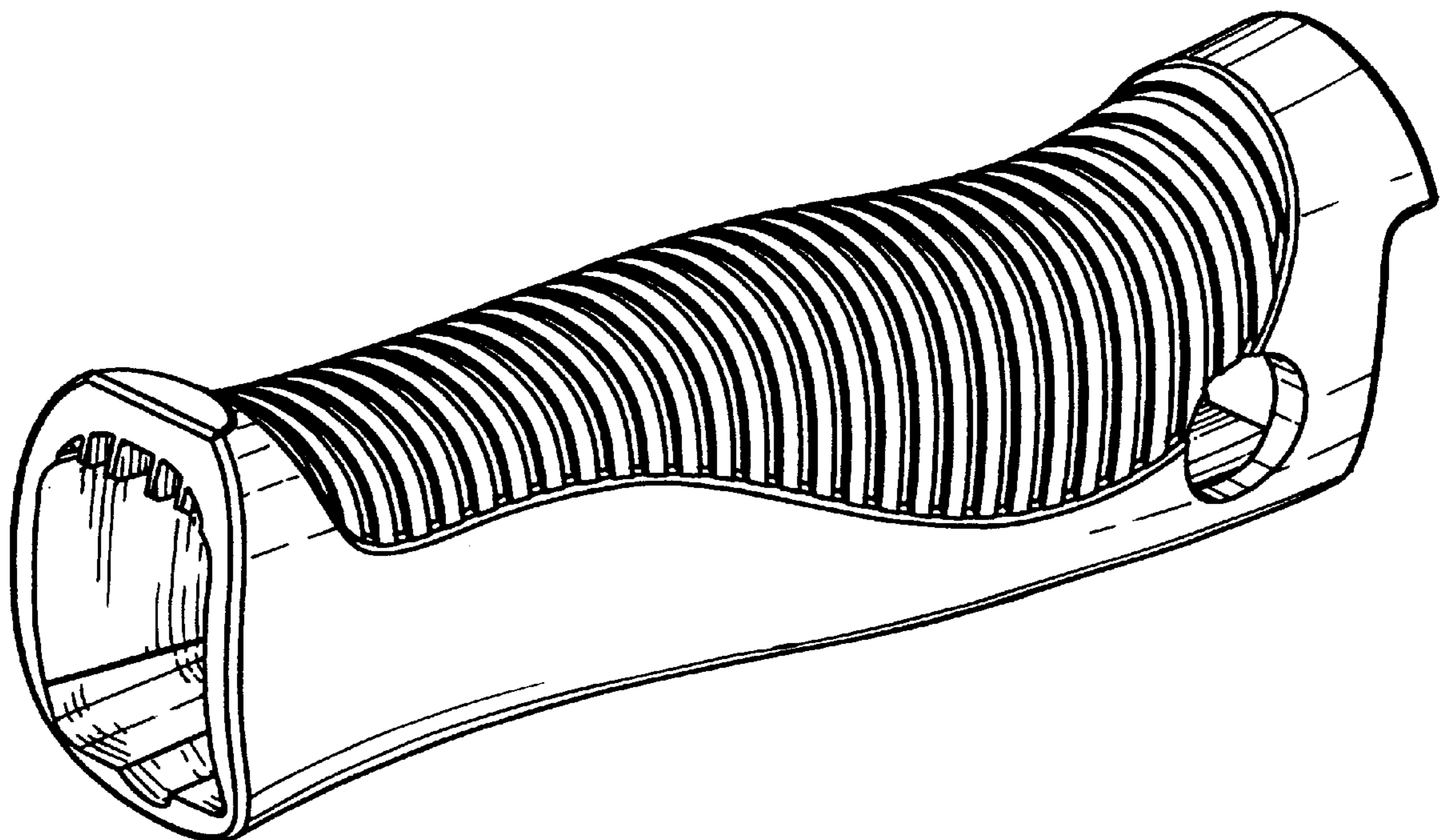
**DESCRIPTION**

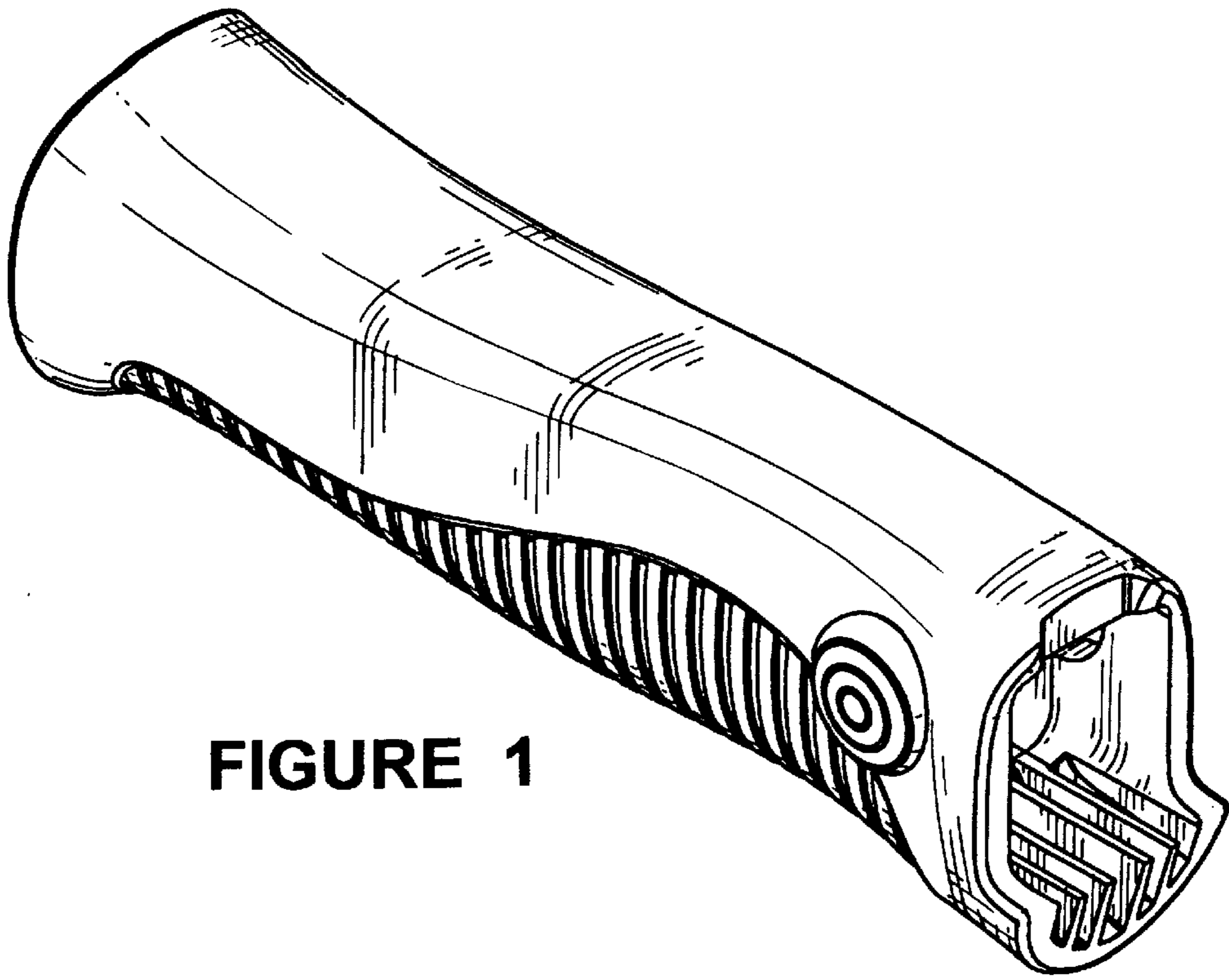
FIG. 1 is a perspective view of the top side, the left side and  
the rear side of the tool handle according to the invention;

FIG. 2 is a perspective view of the underside, the right side  
and the front of the tool handle; and,

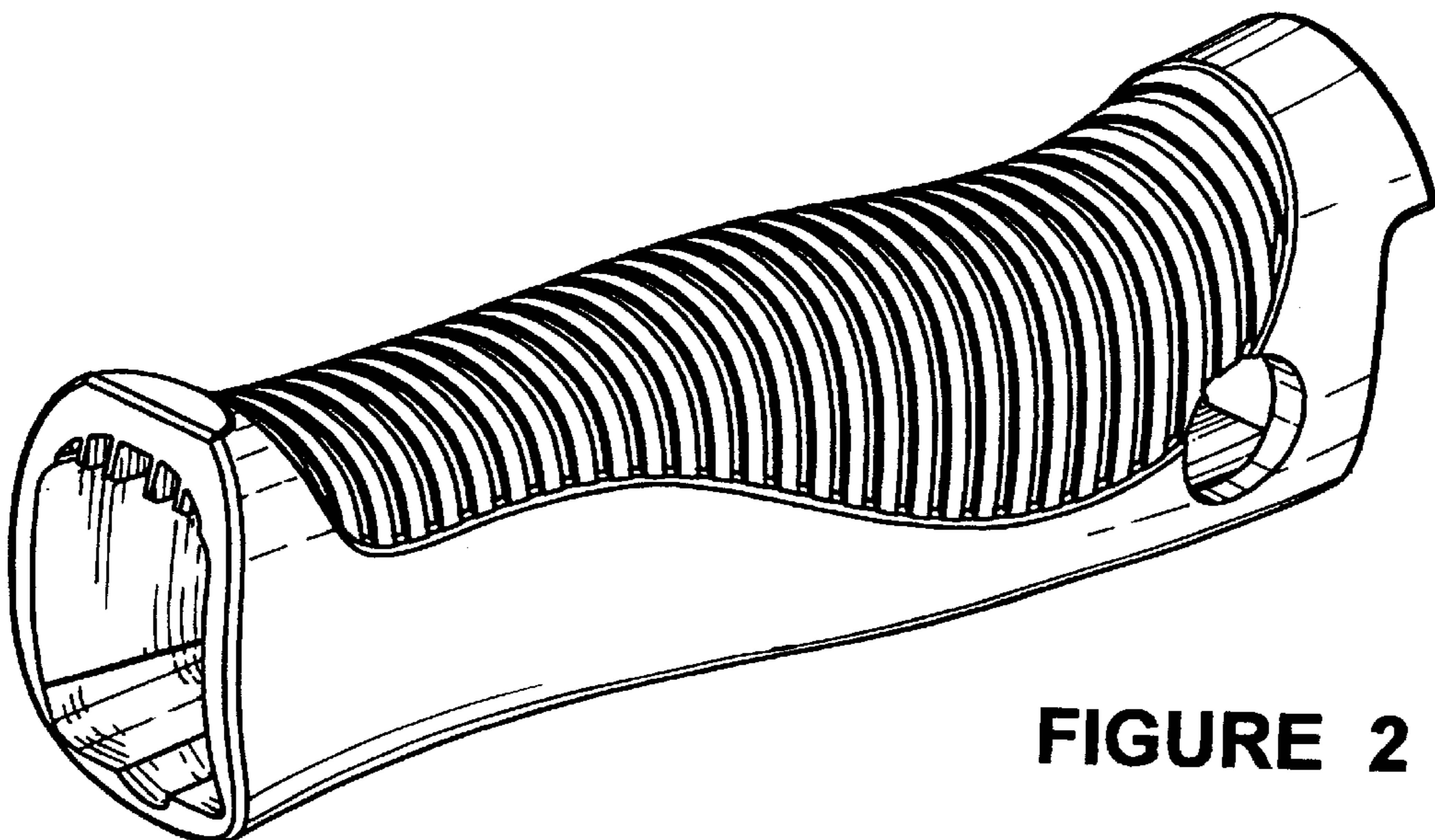
FIG. 3 shows the tool handle from the right.

**1 Claim, 2 Drawing Sheets**

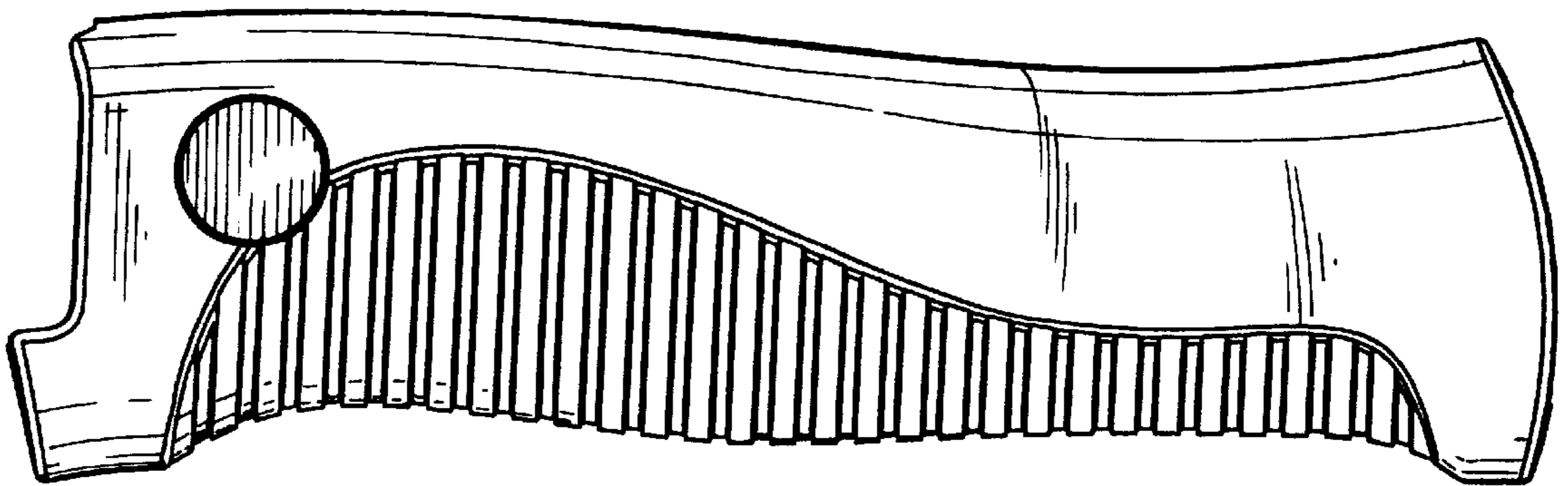




**FIGURE 1**



**FIGURE 2**



**FIGURE 3**